



US00D689225S

(12) **United States Design Patent**
Yeh

(10) **Patent No.:** **US D689,225 S**

(45) **Date of Patent:** **** Sep. 3, 2013**

(54) **FLASHLIGHT**

(75) **Inventor:** **Hsueh-Chu Yeh, Tainan (TW)**

(73) **Assignee:** **Day Sun Industrial Corp., Tainan (TW)**

(**) **Term:** **14 Years**

(21) **Appl. No.:** **29/426,495**

(22) **Filed:** **Jul. 6, 2012**

(51) **LOC (9) Cl.** **26-02**

(52) **U.S. Cl.**
USPC **D26/46**

(58) **Field of Classification Search**
USPC D26/37, 38, 46, 49; 362/157, 158,
362/184, 196, 202-208

See application file for complete search history.

(56) **References Cited**

U.S. PATENT DOCUMENTS

D331,118 S	*	11/1992	Yeung	D26/49
D336,965 S	*	6/1993	Yau	D26/49
D386,269 S	*	11/1997	Lam	D26/37
D428,505 S	*	7/2000	Man	D26/49
D445,934 S	*	7/2001	Dalton et al.	D26/49
D449,703 S	*	10/2001	Dalton et al.	D26/49
D452,025 S	*	12/2001	Poon	D26/49
D481,816 S	*	11/2003	Sharrah et al.	D26/49
D504,971 S	*	5/2005	Dalton et al.	D26/49

D586,488 S	*	2/2009	Kung	D26/49
D601,284 S	*	9/2009	Schonenbach	D26/46
D641,509 S	*	7/2011	Wang	D26/46
D641,510 S	*	7/2011	Wang	D26/46
D641,512 S	*	7/2011	Wang	D26/46
D656,649 S	*	3/2012	Yeh	D26/46
D681,858 S	*	5/2013	Sharrah et al.	D26/49

* cited by examiner

Primary Examiner — Ian Simmons

Assistant Examiner — Carissa C Fitts

(74) *Attorney, Agent, or Firm* — Alan Kamrath; Kamrath IP Lawfirm, P.A.

(57) **CLAIM**

The ornamental design for a flashlight, as shown and described.

DESCRIPTION

FIG. 1 is a perspective view of a flashlight showing my new design;

FIG. 2 is a front side elevational view thereof;

FIG. 3 is a rear side elevational view thereof;

FIG. 4 is a left side elevational view thereof;

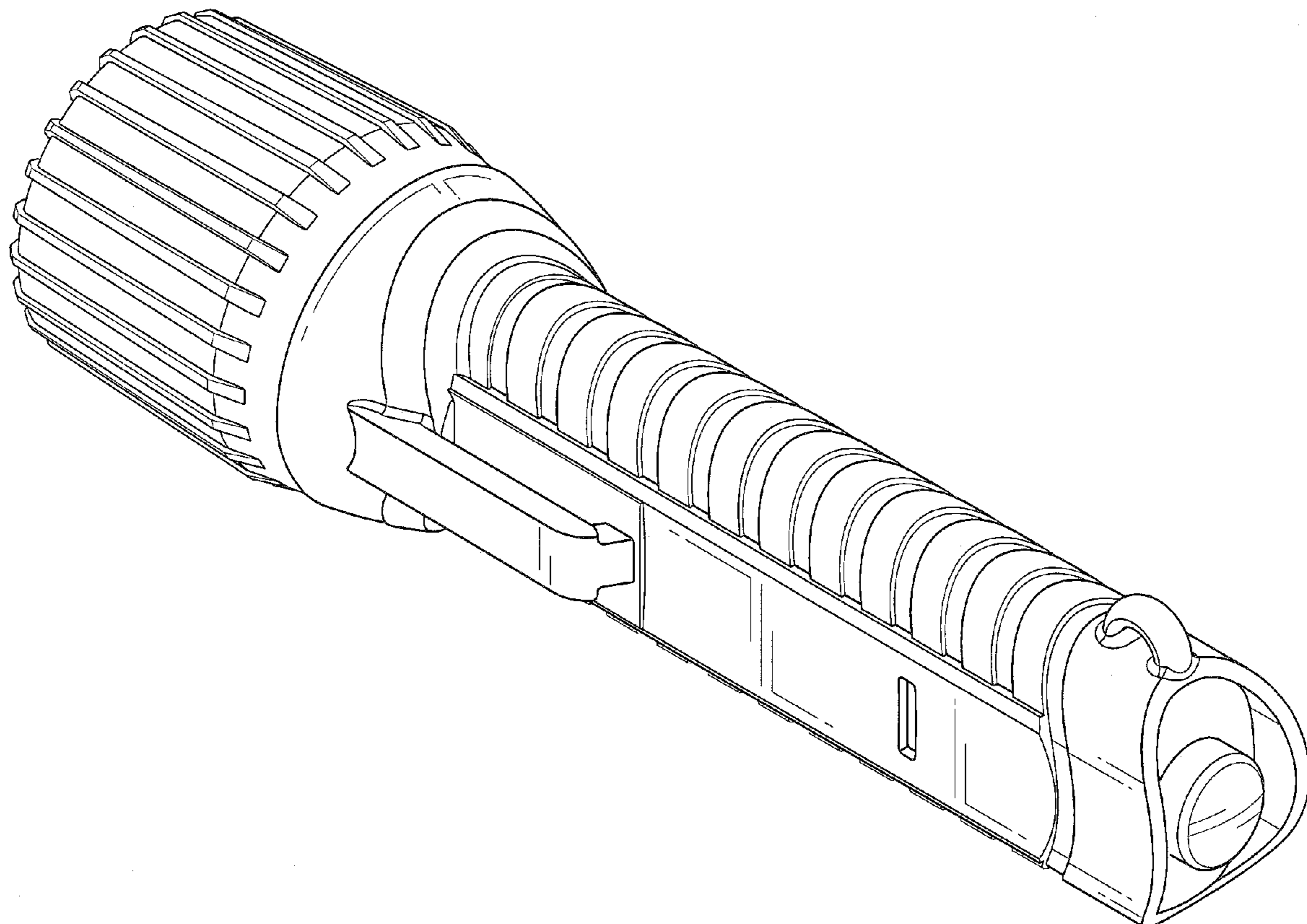
FIG. 5 is a right side elevational view thereof;

FIG. 6 is a top plan view thereof; and,

FIG. 7 is a bottom plan view thereof.

The broken line showing is for environmental purposes only and forms no part of the claimed design.

1 Claim, 6 Drawing Sheets



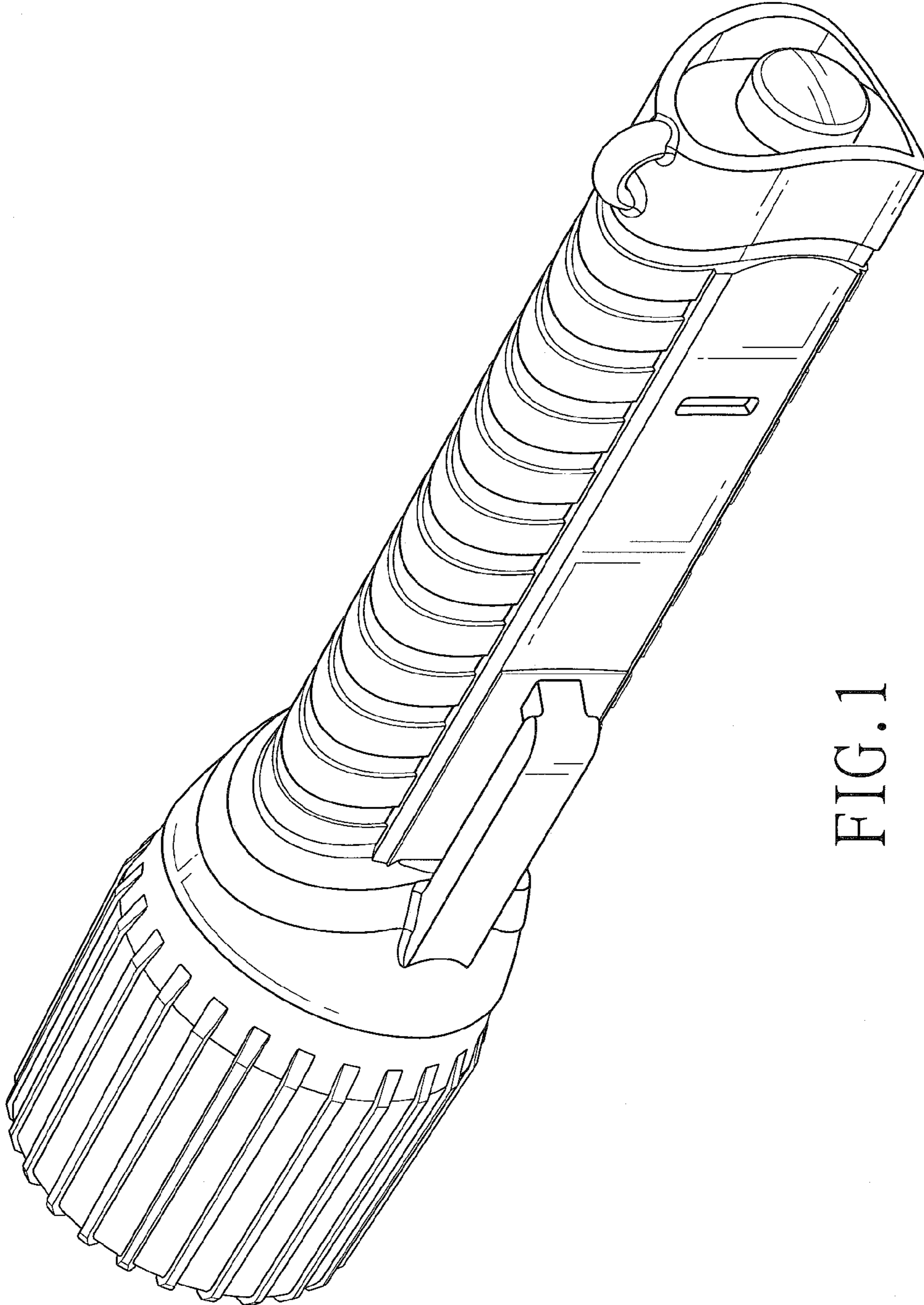


FIG. 1

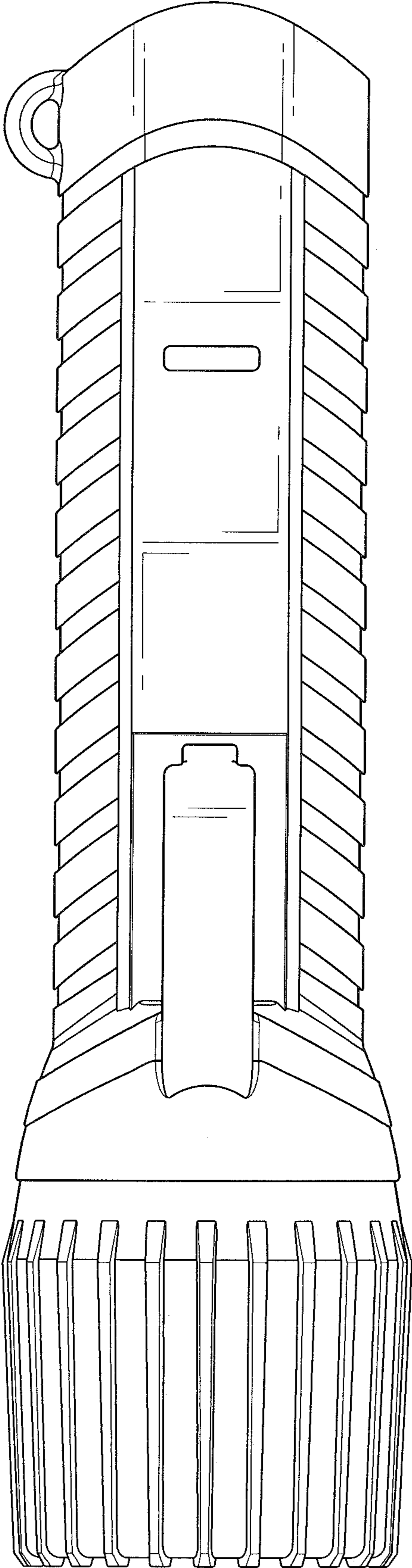


FIG. 2

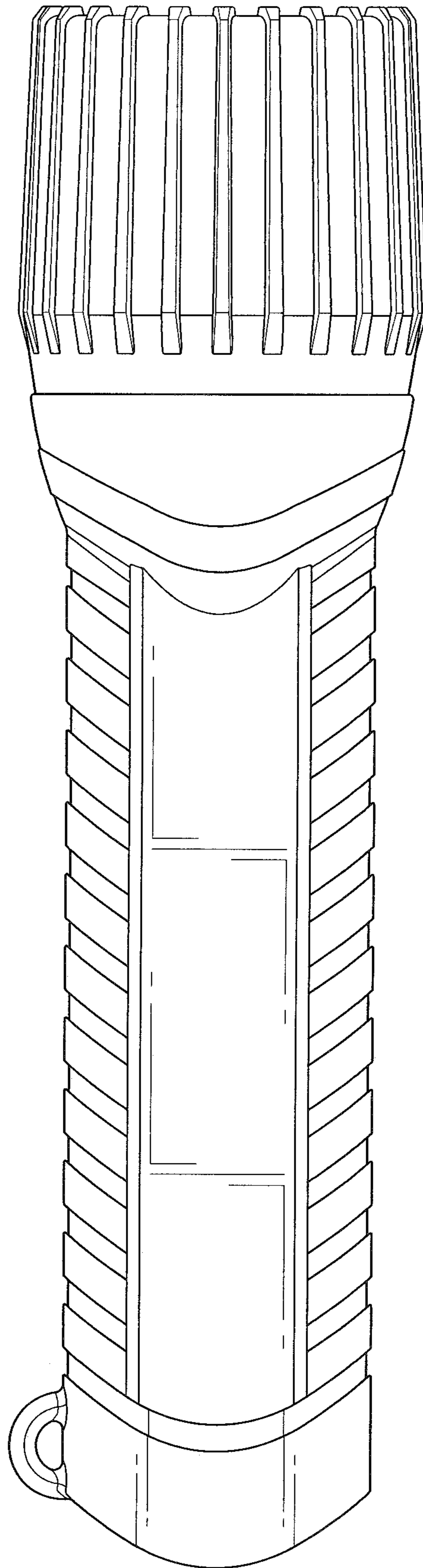


FIG. 3

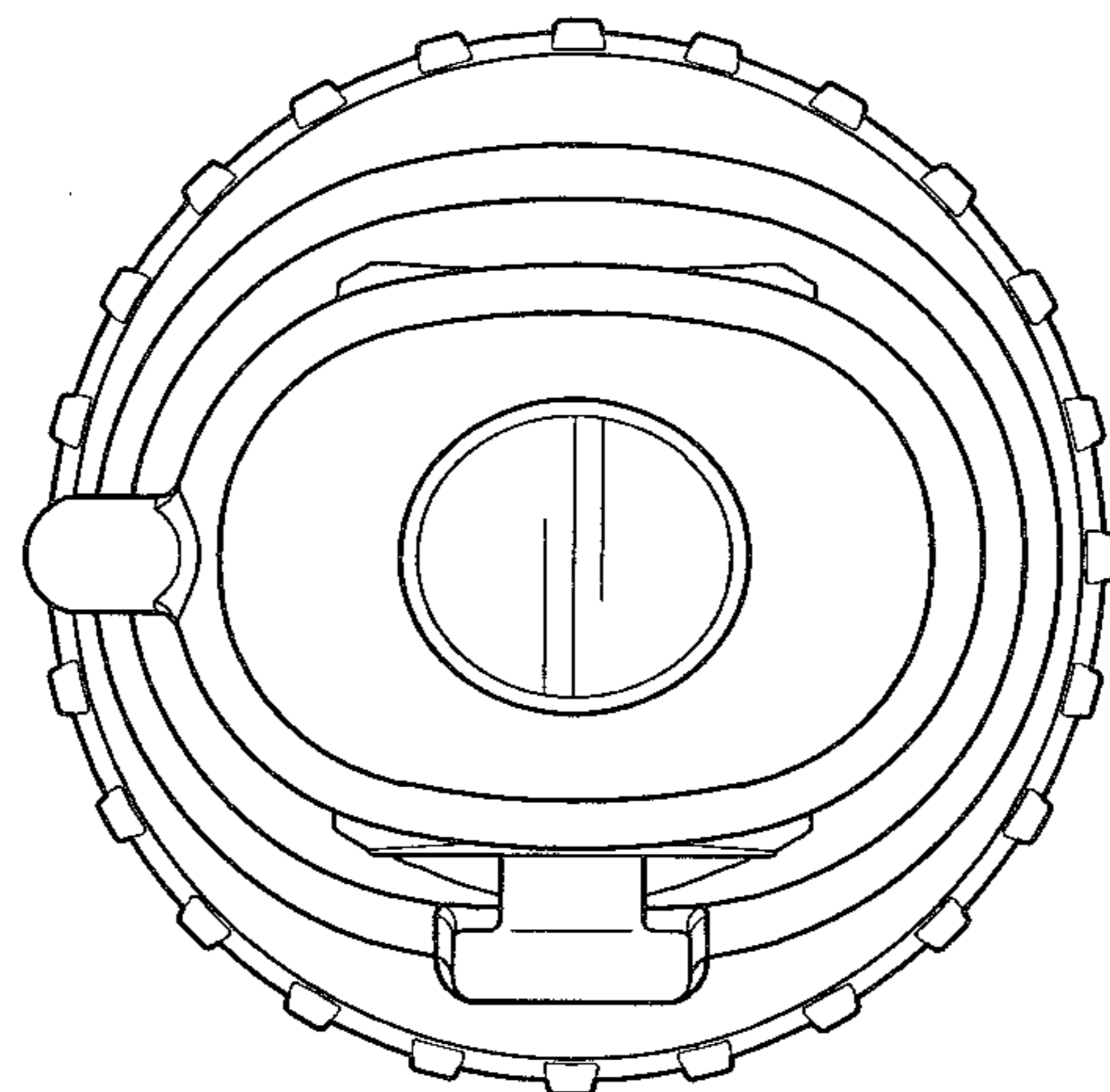


FIG. 5

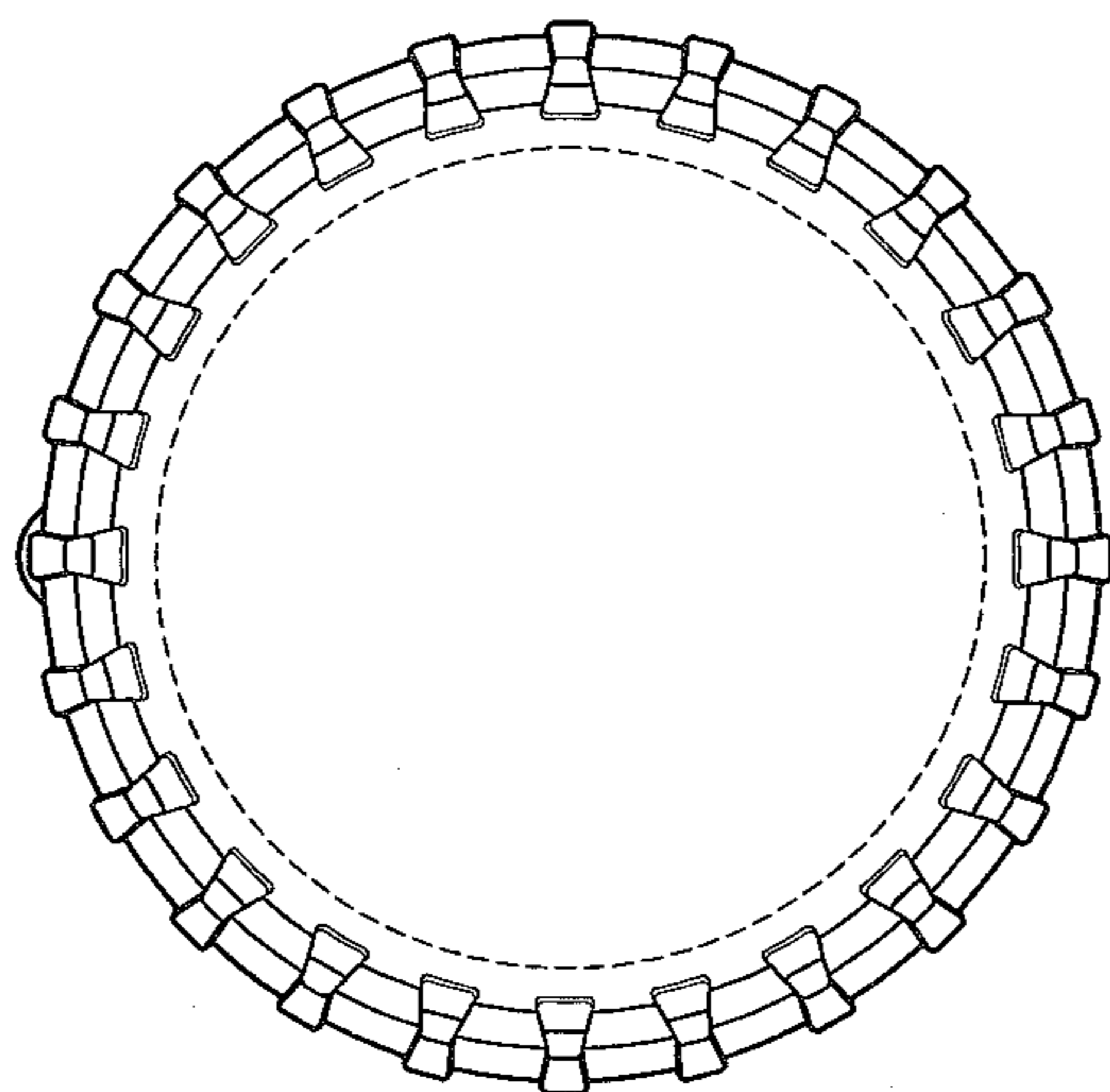


FIG. 4

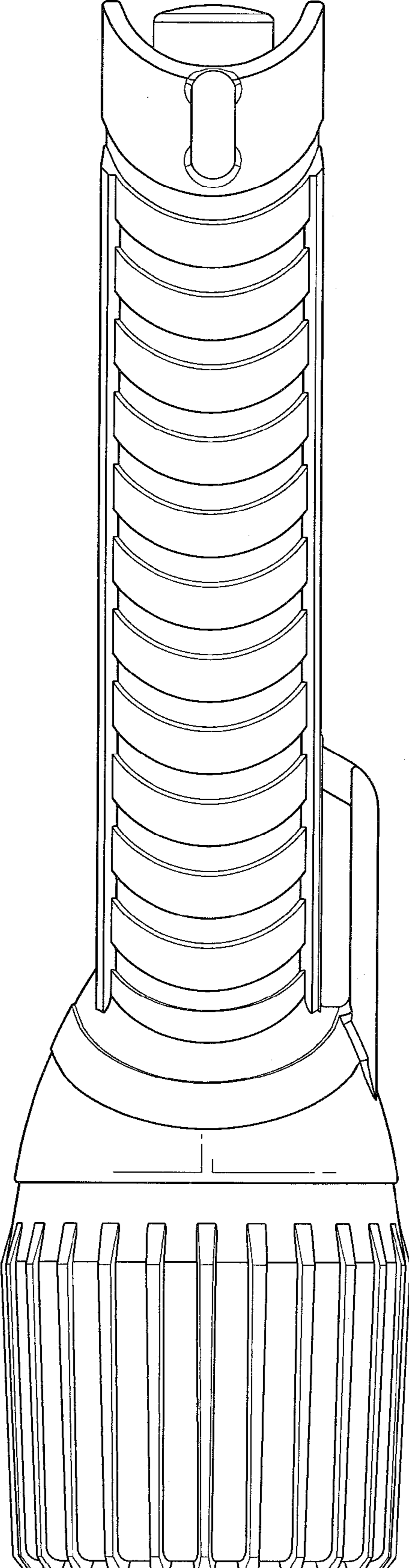


FIG. 6

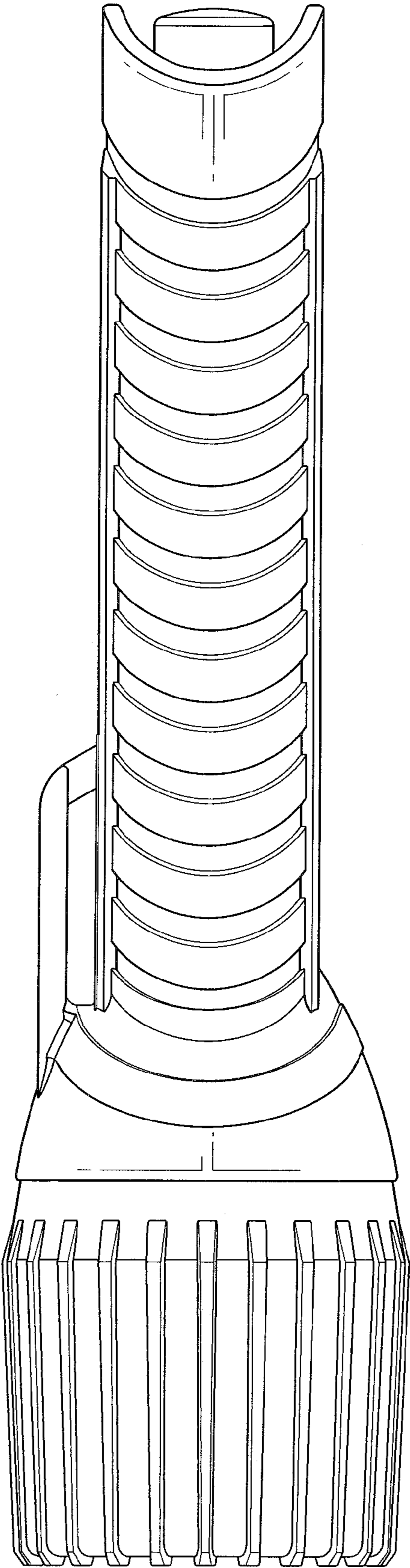


FIG. 7