



US00D689222S

(12) **United States Design Patent**
Lai

(10) **Patent No.:** **US D689,222 S**

(45) **Date of Patent:** **** Sep. 3, 2013**

(54) **EXTERIOR SURFACE CONFIGURATION OF VEHICULAR HEADLIGHT**

(71) Applicant: **Litek Enterprise Co., Ltd.**, Tainan (TW)

(72) Inventor: **Ching-Tsung Lai**, Tainan (TW)

(73) Assignee: **Litek Enterprise Co., Ltd.**, Tainan (TW)

(**) Term: **14 Years**

(21) Appl. No.: **29/440,334**

(22) Filed: **Dec. 20, 2012**

(51) **LOC (9) Cl.** **26-06**

(52) **U.S. Cl.**
USPC **D26/28**

(58) **Field of Classification Search**
USPC D26/28-36; 362/458-469, 475-478,
362/485-487
See application file for complete search history.

(56) **References Cited**

U.S. PATENT DOCUMENTS

D538,956 S * 3/2007 Ishii D26/28
D544,614 S * 6/2007 Markefka D26/28

D561,358 S * 2/2008 Tachibana D26/28
D570,007 S * 5/2008 Hsu D26/28
D582,587 S * 12/2008 Yang D26/28
D593,232 S * 5/2009 Koman et al. D26/28
D635,694 S * 4/2011 Yang et al. D26/28

* cited by examiner

Primary Examiner — Marcus Jackson

(74) *Attorney, Agent, or Firm* — Muncy, Geissler, Olds & Lowe, PLLC

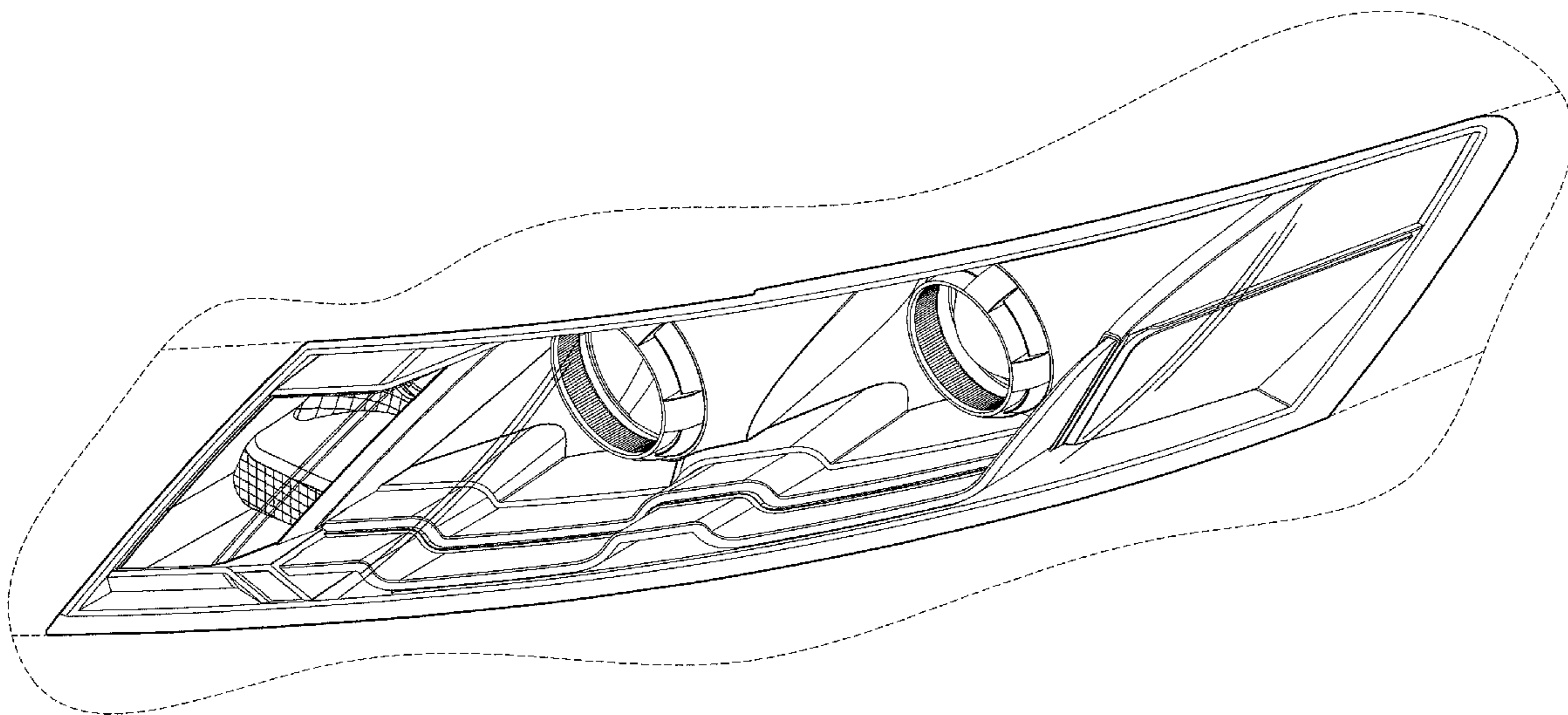
(57) **CLAIM**

I claim, the ornamental design for an exterior surface configuration of a vehicular headlight, as shown and described.

DESCRIPTION

FIG. 1 is a perspective view of an exterior surface configuration of a vehicular headlight showing my present design; FIG. 2 is a front view thereof; FIG. 3 is a right view thereof; and, FIG. 4 is a top plan view thereof. The broken line showing of the portion of the vehicle is included for the purpose of illustrating only and forms no part of the claimed design.

1 Claim, 4 Drawing Sheets



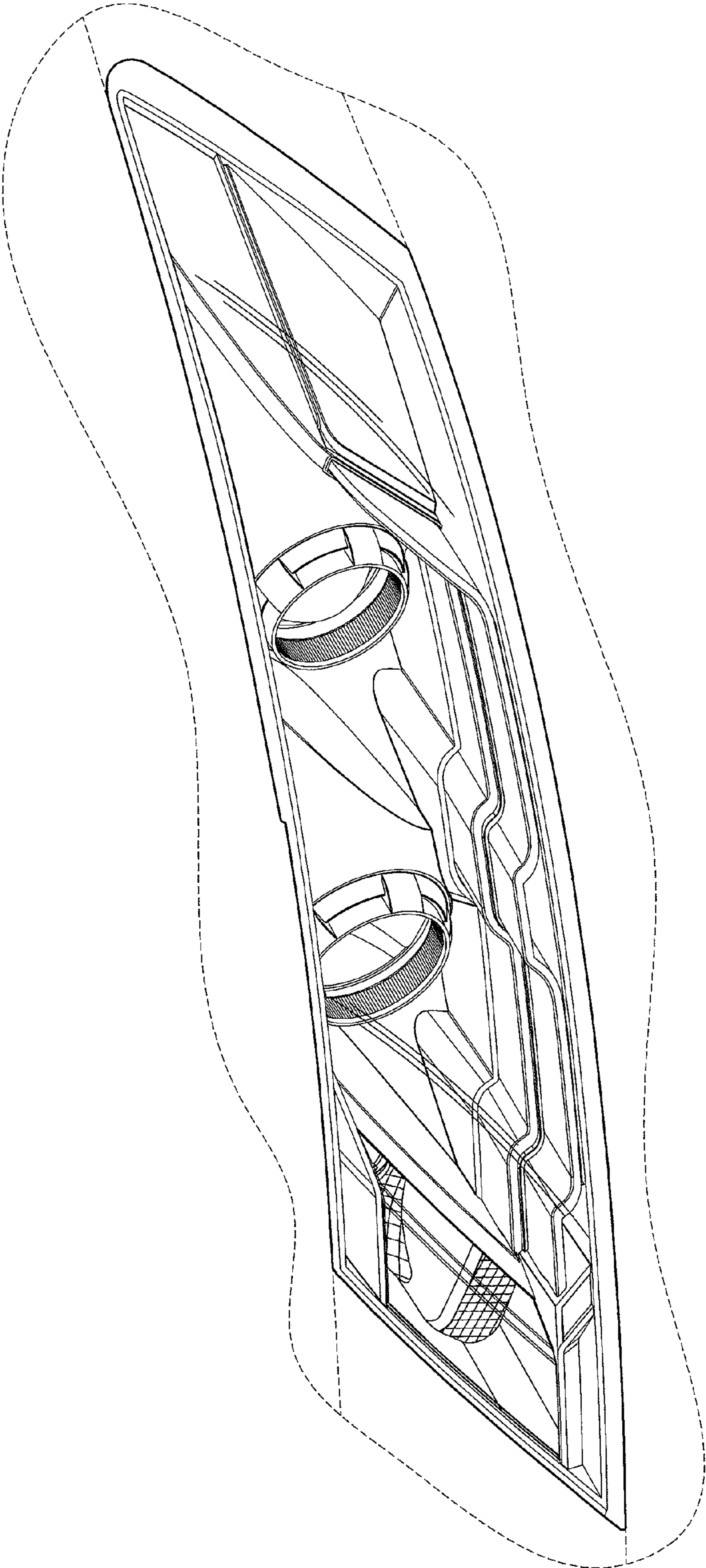


FIG. 1

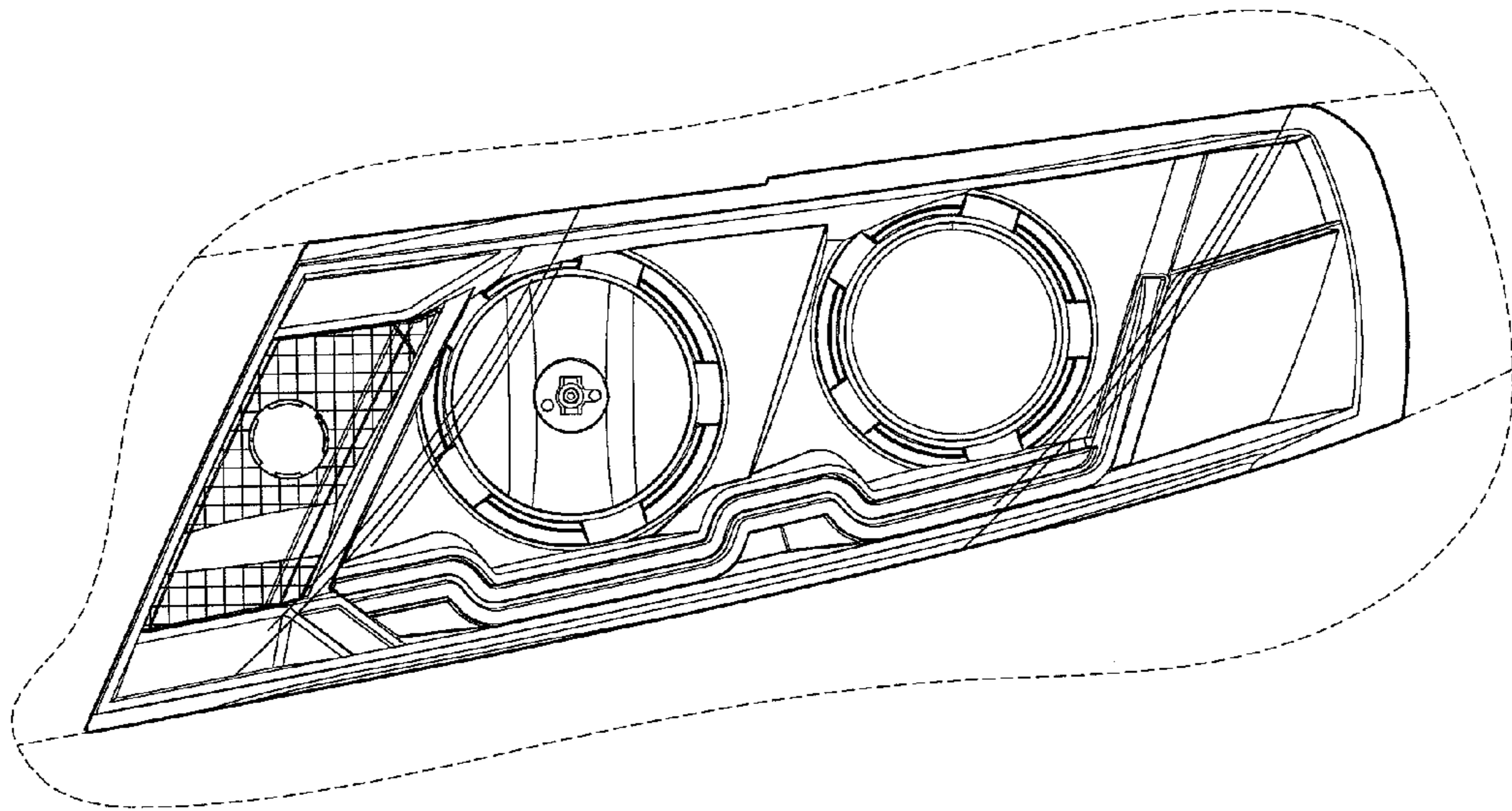


FIG. 2

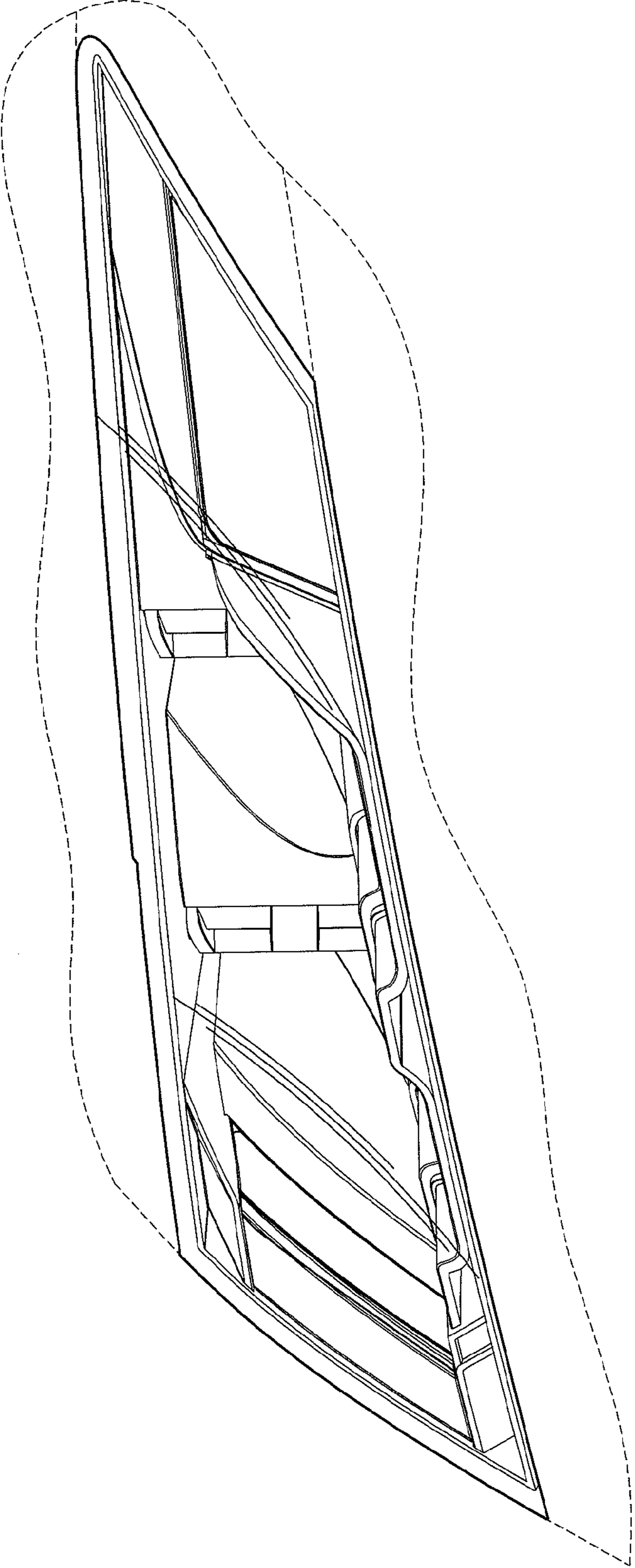


FIG. 3

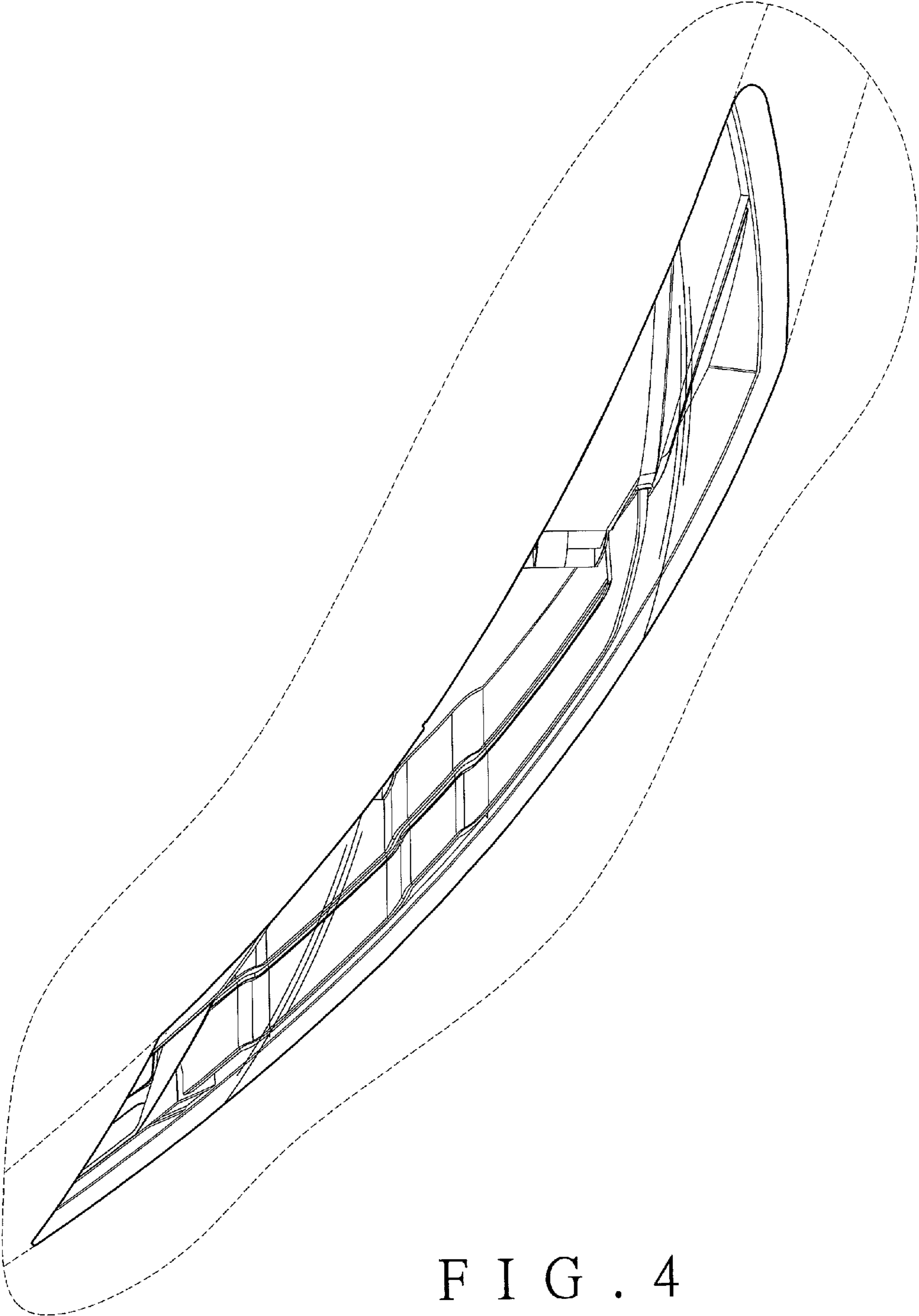


FIG . 4