



US00D689219S

(12) **United States Design Patent**
Zhang

(10) **Patent No.:** **US D689,219 S**
(45) **Date of Patent:** **** Sep. 3, 2013**

(54) **LED LAMP**

(71) Applicant: **CE Lighting Ltd.**, Guangdong (CN)

(72) Inventor: **Sumin Zhang**, Guangdong (CN)

(73) Assignee: **CE Lighting Ltd.**, Shenzhen (CN)

(**) Term: **14 Years**

(21) Appl. No.: **29/436,644**

(22) Filed: **Nov. 7, 2012**

(30) **Foreign Application Priority Data**

May 29, 2012 (CN) 2012 3 0204927

(51) **LOC (9) Cl.** **26-04**

(52) **U.S. Cl.**
USPC **D26/2**

(58) **Field of Classification Search**

USPC D26/1-4; 313/313, 315, 316, 317,
313/318, 493; 315/52, 53, 56, 57, 58

See application file for complete search history.

(56) **References Cited**

U.S. PATENT DOCUMENTS

D392,057	S	*	3/1998	Chen	D26/2
D405,201	S	*	2/1999	Lodhie	D26/2
D426,899	S	*	6/2000	Au Yeng	D26/2
D543,644	S	*	5/2007	Bembridge	D26/2

* cited by examiner

Primary Examiner — Marcus Jackson

(74) *Attorney, Agent, or Firm* — Dovas Law, P.C.

(57) **CLAIM**

The ornamental design for an LED lamp, as shown and described.

DESCRIPTION

FIG. 1 is a front elevational view of an LED lamp showing my new design;

FIG. 2 is a rear elevational view of the LED lamp of FIG. 1;

FIG. 3 is a left side elevational view of the LED lamp of FIG. 1;

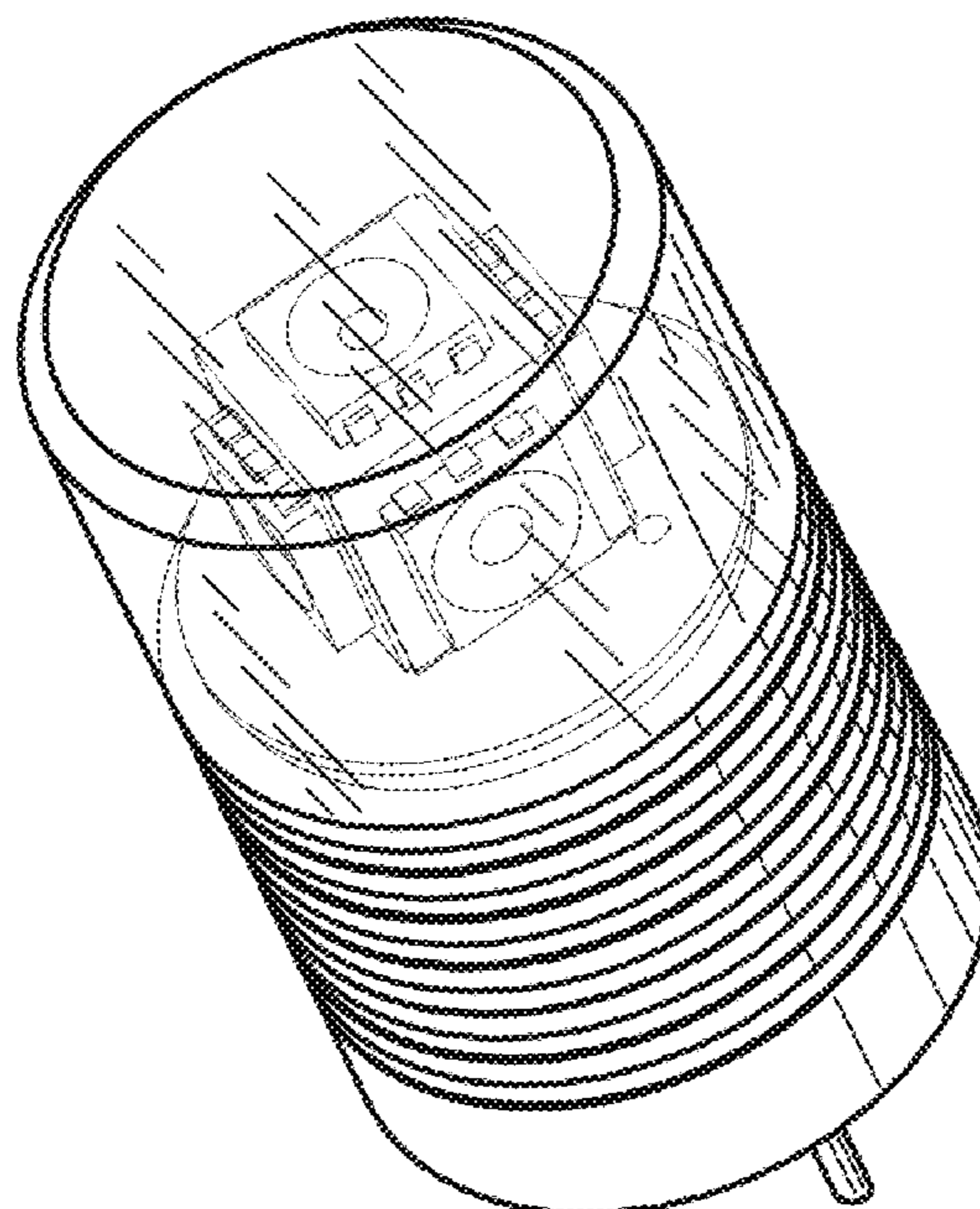
FIG. 4 is a right side elevational view of the LED lamp of FIG. 1;

FIG. 5 is a top plan view of the LED lamp of FIG. 1;

FIG. 6 is a bottom plan view of the LED lamp of FIG. 1; and,

FIG. 7 is a perspective view of the LED lamp of FIG. 1.

1 Claim, 7 Drawing Sheets



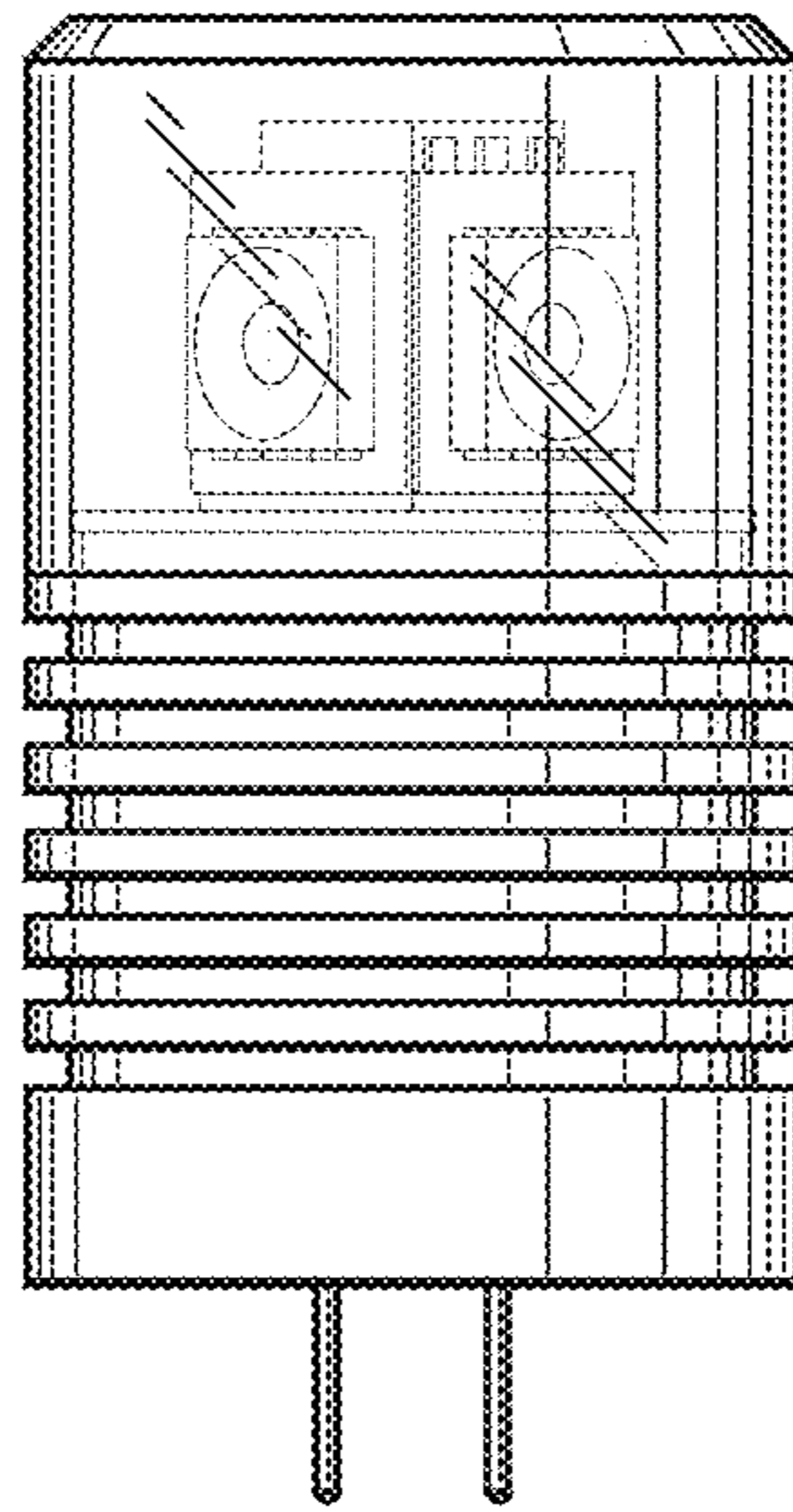


FIG. 1

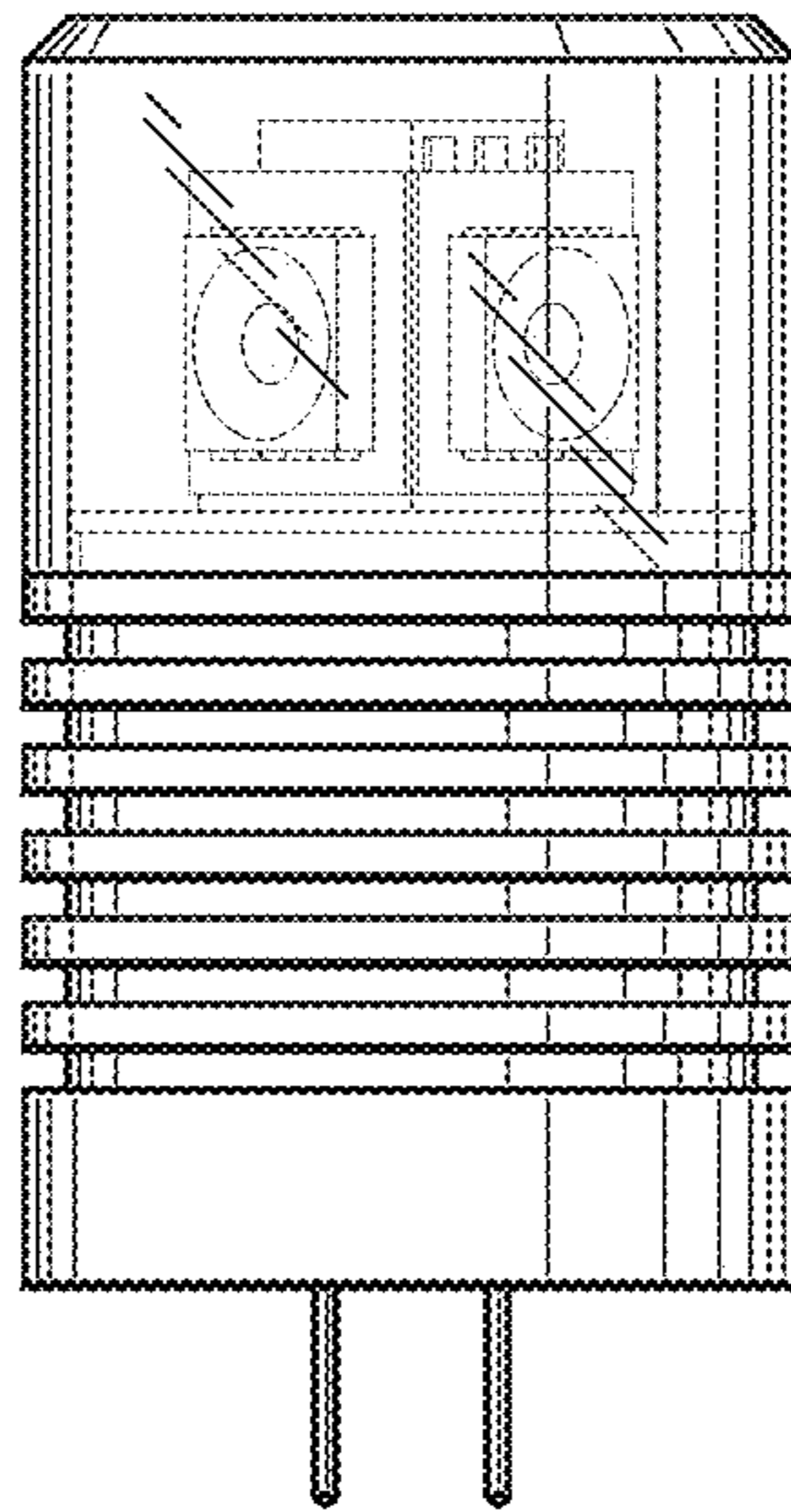


FIG. 2

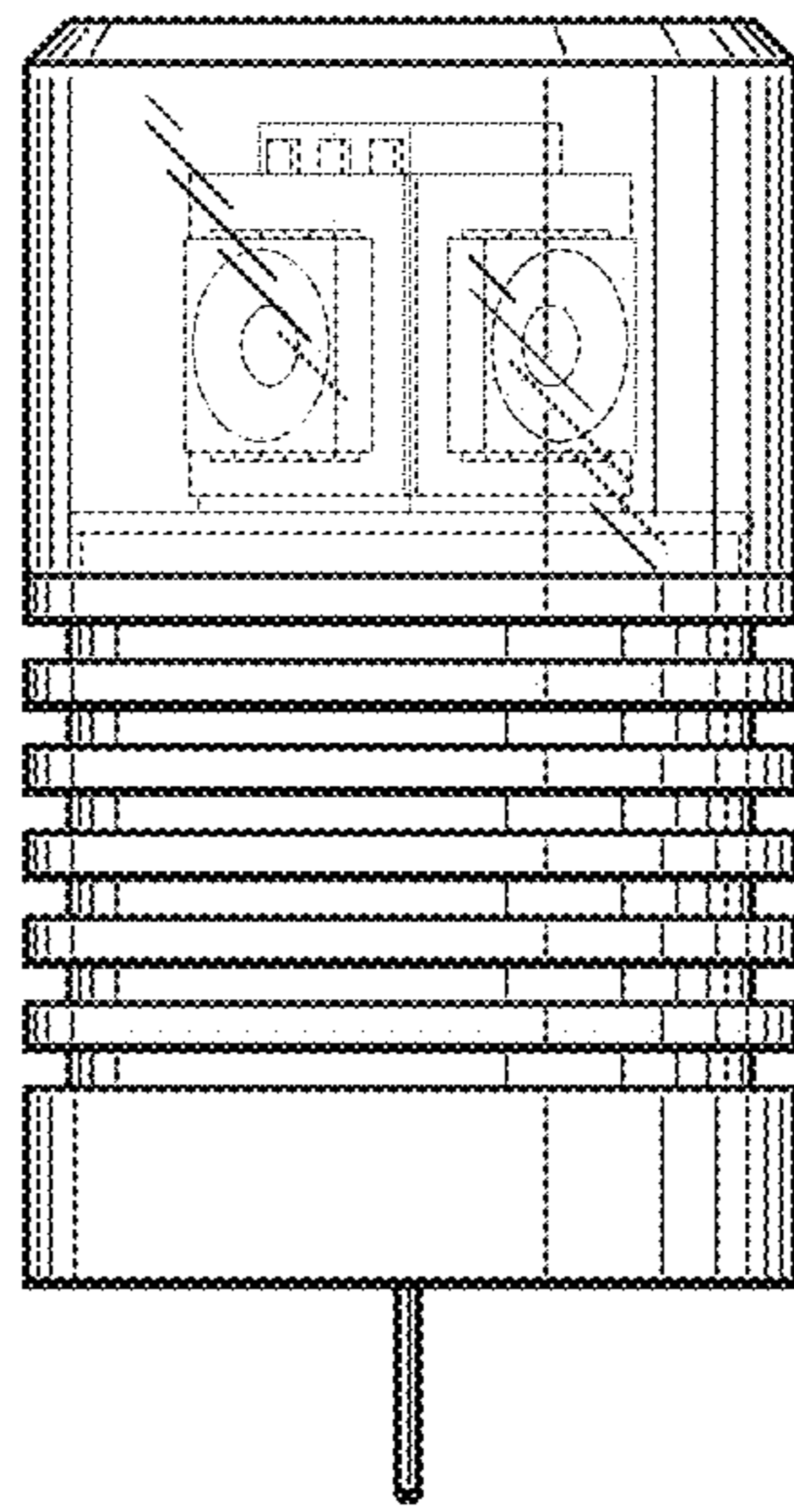


FIG. 3

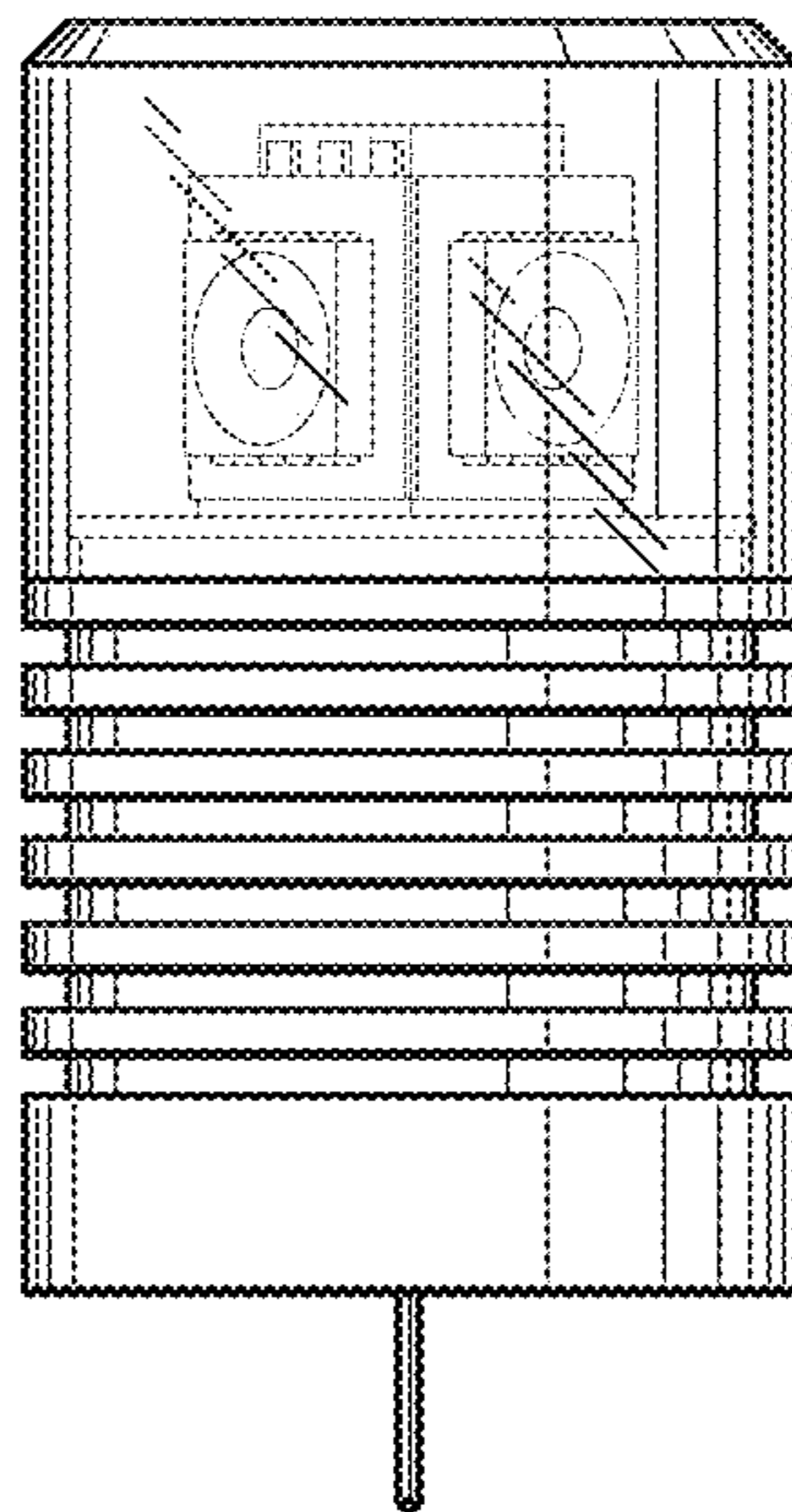


FIG. 4

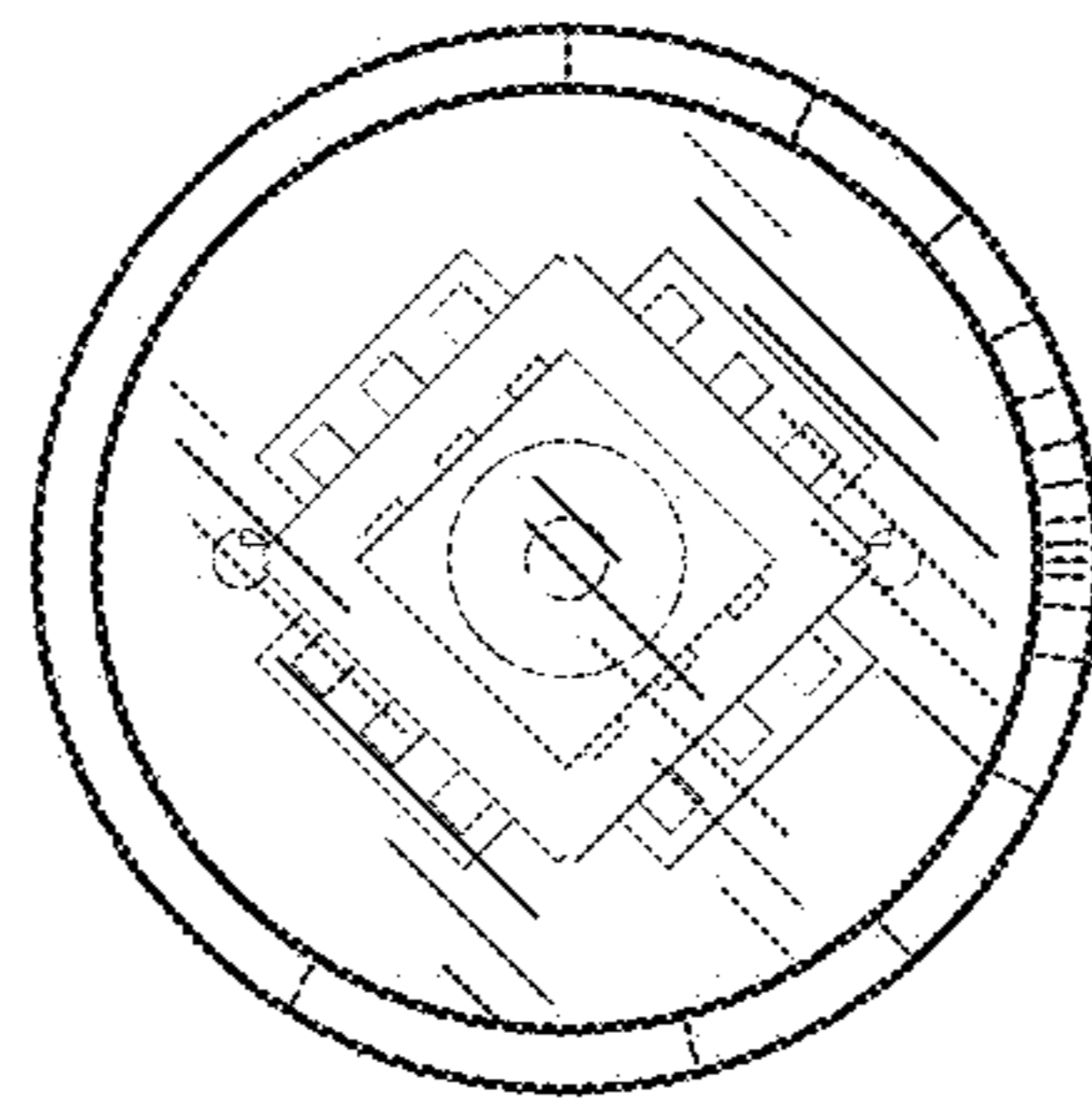


FIG. 5

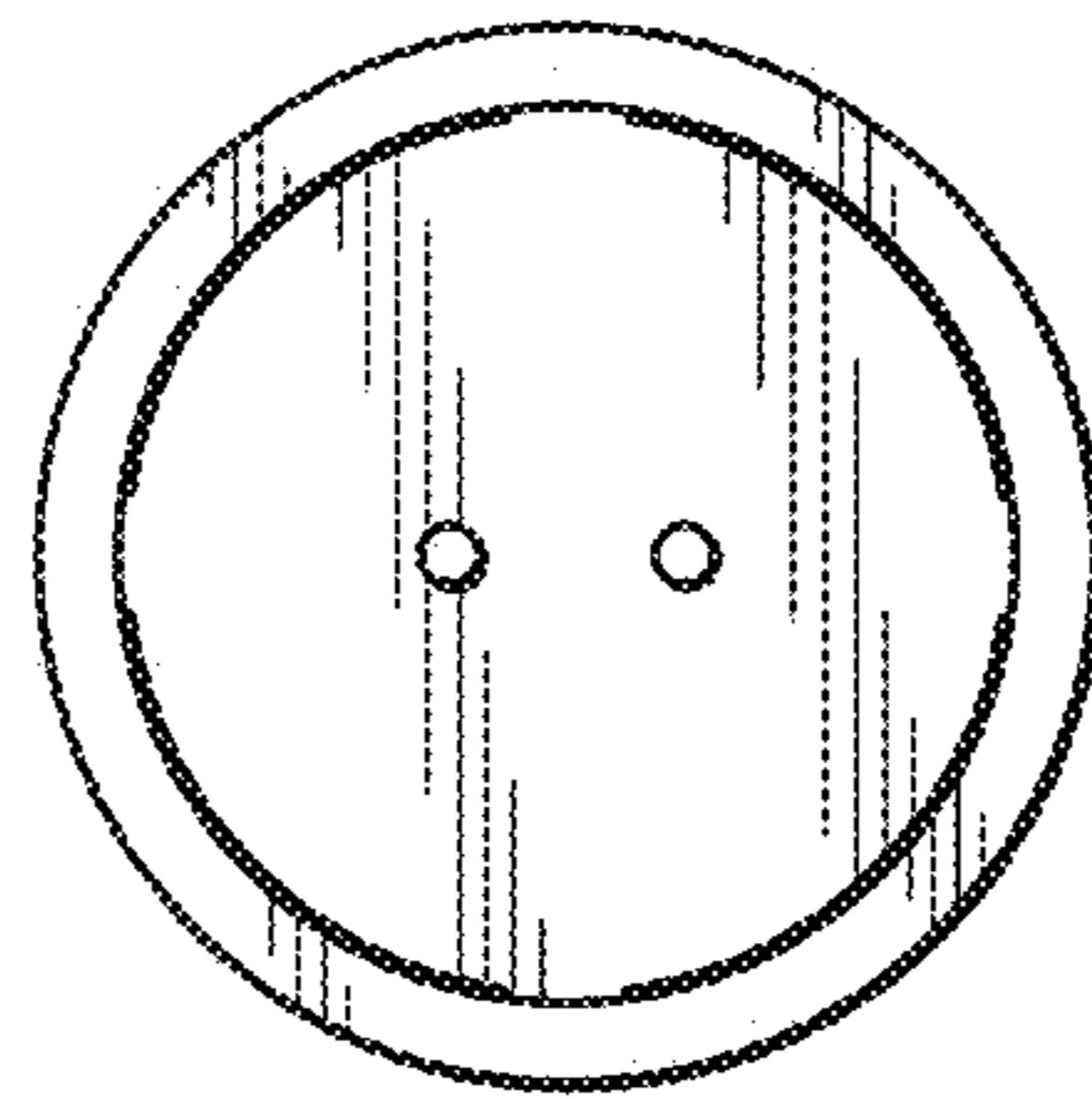


FIG. 6

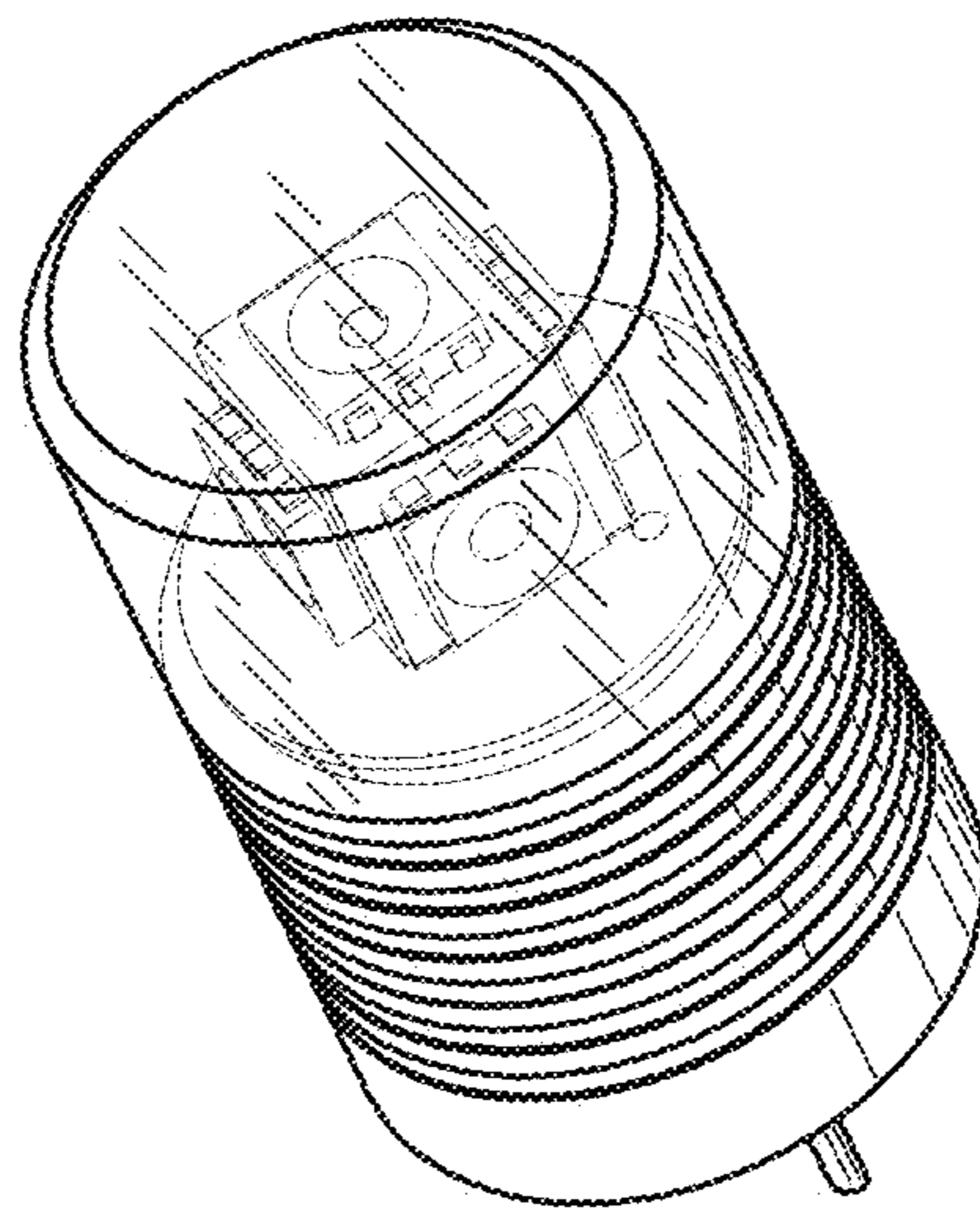


FIG. 7