



US00D689218S

(12) **United States Design Patent**
Maxik et al.

(10) **Patent No.:** **US D689,218 S**

(45) **Date of Patent:** **** Sep. 3, 2013**

(54) **LUMINAIRE**

(71) Applicant: **Lighting Science Group Corporation**,
Satellite Beach, FL (US)

(72) Inventors: **Fredric S. Maxik**, Indialantic, FL (US);
David Henderson, Indialantic, FL (US);
Mark Penley Boomgaarden, Satellite
Beach, FL (US); **Addy S. Widjaja**, Palm
Bay, FL (US); **Emilio Flores**, Houston,
TX (US); **Shane Sullivan**, Indialantic,
FL (US); **Wei Sun**, Davie, FL (US)

(73) Assignee: **Lighting Science Group Corporation**,
Satellite Beach, FL (US)

(**) Term: **14 Years**

(21) Appl. No.: **29/435,989**

(22) Filed: **Oct. 31, 2012**

Related U.S. Application Data

(62) Division of application No. 29/416,782, filed on Mar.
27, 2012, now Pat. No. Des. 672,480, which is a
division of application No. 29/360,983, filed on May 4,
2010, now Pat. No. Des. 658,791.

(51) **LOC (9) Cl.** **26-04**

(52) **U.S. Cl.**
USPC **D26/2**

(58) **Field of Classification Search**
USPC D26/1-4; 313/313, 315, 316, 317,
313/318, 493; 315/52, 53, 56, 57, 58
See application file for complete search history.

(56) **References Cited**

U.S. PATENT DOCUMENTS

4,375,607 A 3/1983 Morton et al.
4,392,076 A 7/1983 Ishler et al.

(Continued)

FOREIGN PATENT DOCUMENTS

WO 2006118457 11/2006
WO 2008113837 A2 9/2008

OTHER PUBLICATIONS

<http://img.diytrade.com/cding/395588/7678937/> . . . <http://images.google.com/imgres?imgurl=http://img.diytrade.com/cding/3>

(Continued)

Primary Examiner — Marcus Jackson
(74) *Attorney, Agent, or Firm* — Cantor Colburn LLP

(57) **CLAIM**

We claim, the ornamental design for a luminaire, as shown and described.

DESCRIPTION

FIG. 1 is a side plan view of a fourth embodiment of the invention, the luminaire being symmetric about a center axis; FIG. 2 is a top plan view of the embodiment of FIG. 1; FIG. 3 is a bottom plan view of the embodiment of FIG. 1; FIG. 4 is a first perspective view of the embodiment of FIG. 1; and, FIG. 5 is a second perspective view of the embodiment of FIG. 1.

The degree of transparency or opaqueness of the lens of the luminaire forms no part of the claimed design. The lens of the claimed luminaire may have facets, lenslets or other treatments.

The dotted lines shown in FIGS. 2, and 4, indicate that the lens portion of the luminaire indicated by the dotted lines may have any size diameter and may be flat or curved.

The dash-dot lines shown in FIGS. 2-4 indicate a repeating pattern of the openings, the luminaire may have any number and any shape of openings.

The dash-dot-dot lines shown between the heat sink portion and base portion in FIGS. 3-5, indicate the heat sink portion may be of any length.

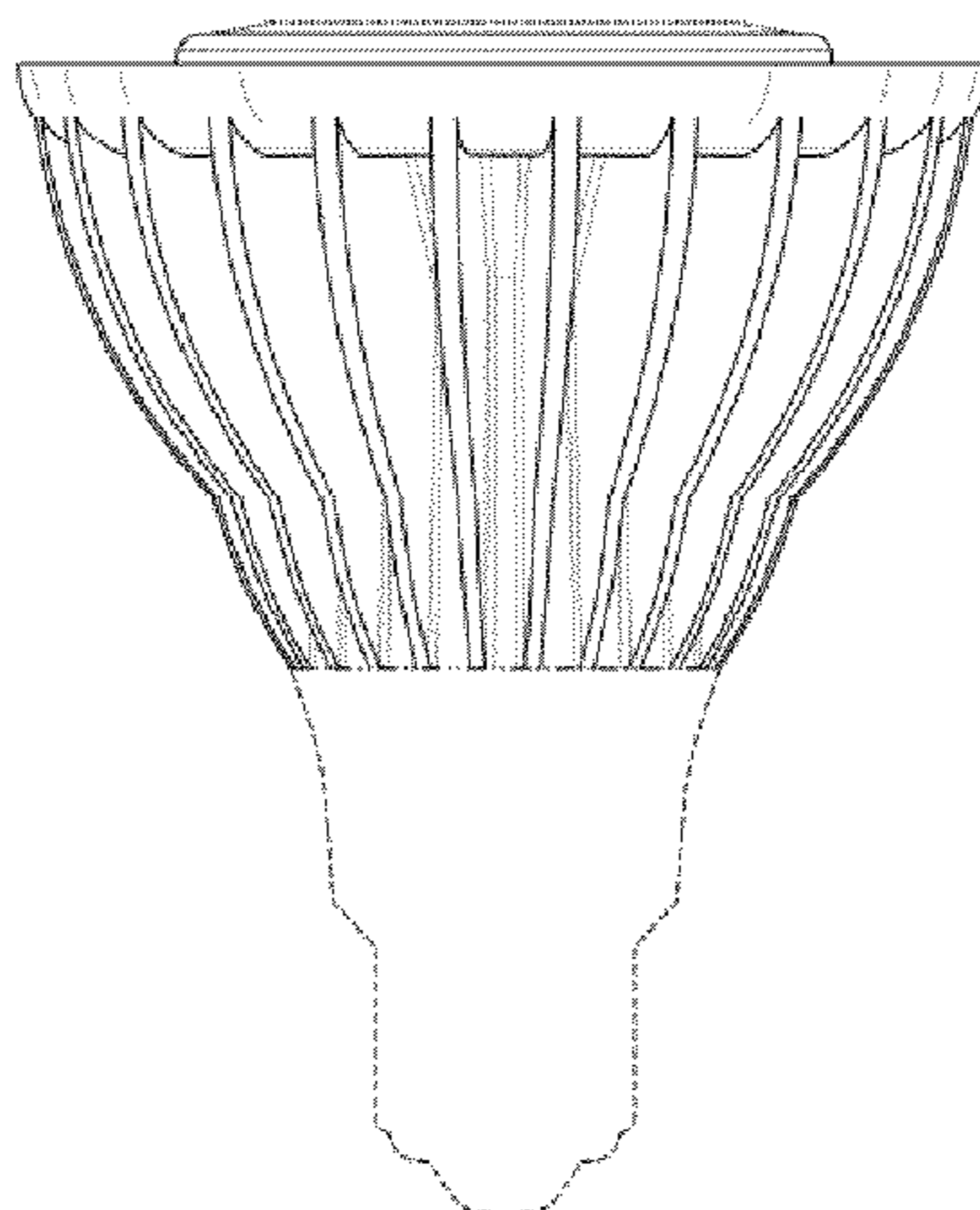
The phantom lines shown in FIGS. 1 and 3-5 are environmental and not part of the claimed design.

The color and shading of the luminaire forms no part of the claimed design, the luminaire according to the claimed design may be any color or combination of colors.

The surface treatment of the luminaire forms no part of the claimed design, the luminaire of the claimed design may have any surface treatment.

References to “side”, “top” and “bottom” in the figure descriptions are not meant to require certain in-use orientation; a luminaire according to the claimed design may be used in any orientation.

1 Claim, 5 Drawing Sheets



(56)

References Cited

U.S. PATENT DOCUMENTS

D271,424 S 11/1983 Young et al.
 D307,805 S 5/1990 Noe
 D321,260 S 10/1991 Bowman
 5,458,505 A 10/1995 Prager
 D391,006 S 2/1998 Yang
 5,791,769 A 8/1998 Yang
 D470,610 S 2/2003 Bobel
 6,515,433 B1 2/2003 Ge et al.
 D480,486 S 10/2003 Kakuno et al.
 6,655,823 B2 12/2003 Chang
 6,786,625 B2 9/2004 Wesson
 D497,439 S 10/2004 Shaw et al.
 6,848,812 B1 2/2005 Hsieh
 D508,575 S 8/2005 Buschmann et al.
 D516,229 S 2/2006 Tang
 D527,119 S 8/2006 Maxik et al.
 D528,227 S 9/2006 Chou et al.
 D528,673 S 9/2006 Maxik et al.
 D531,741 S 11/2006 Takahashi
 D534,665 S 1/2007 Egawa et al.
 D538,950 S 3/2007 Maxik
 D538,951 S 3/2007 Maxik et al.
 D538,952 S 3/2007 Maxik et al.
 D541,957 S 5/2007 Wang
 D542,943 S 5/2007 Wang
 D545,457 S 6/2007 Chen
 7,226,189 B2 6/2007 Lee et al.
 D546,980 S 7/2007 Lo
 D549,854 S 8/2007 Takahashi
 D560,286 S * 1/2008 Maxik et al. D26/2
 D563,572 S 3/2008 Lukacs
 D566,300 S * 4/2008 Lo D26/2
 7,367,688 B1 5/2008 Bucher et al.
 D570,504 S * 6/2008 Maxik et al. D26/2
 D570,505 S 6/2008 Maxik et al.
 D572,358 S 7/2008 Mazzochette et al.
 D572,385 S 7/2008 Mazzochette et al.
 7,434,964 B1 10/2008 Zheng et al.
 D581,554 S 11/2008 To et al.
 D581,583 S 11/2008 Peng
 7,448,772 B2 11/2008 Hampton
 D582,578 S * 12/2008 Tsai et al. D26/2
 D584,428 S 1/2009 Li et al.
 D584,837 S 1/2009 Mazzochette et al.
 D586,497 S 2/2009 Wu et al.
 7,513,653 B1 4/2009 Liu et al.
 D592,766 S 5/2009 Zhu et al.
 D593,222 S 5/2009 To et al.
 D594,143 S 6/2009 Montagnat et al.
 D594,995 S 6/2009 Komar
 D595,893 S 7/2009 Maxik et al.
 D597,225 S 7/2009 Yoo
 D597,704 S 8/2009 Peng
 D599,041 S * 8/2009 Yoo D26/2
 D600,850 S 9/2009 Maxik et al.
 D601,275 S 9/2009 Ho et al.
 D601,276 S 9/2009 Grajcar
 D601,277 S 9/2009 Grajcar
 D601,278 S 9/2009 Takahashi
 D601,279 S 9/2009 Ou et al.

D607,586 S 1/2010 Ko
 D608,478 S 1/2010 Maxik et al.
 D610,271 S 2/2010 Bi
 D610,722 S 2/2010 Bi
 D612,956 S 3/2010 Moon
 D613,433 S 4/2010 Moon
 7,717,590 B1 5/2010 Li
 D617,915 S 6/2010 Wada et al.
 D618,369 S 6/2010 Lee et al.
 D620,153 S 7/2010 Wang et al.
 D621,973 S 8/2010 Grajcar
 D621,974 S 8/2010 Grajcar
 D623,777 S 9/2010 Moon et al.
 D623,778 S 9/2010 Moon et al.
 D623,779 S 9/2010 Wang et al.
 D624,214 S 9/2010 Thomas et al.
 D624,215 S 9/2010 Moon et al.
 D624,669 S 9/2010 Tsai
 D625,437 S 10/2010 Zhang et al.
 D626,260 S 10/2010 Wei
 D626,667 S 11/2010 Jonsson et al.
 D627,087 S 11/2010 Jonsson et al.
 D628,322 S 11/2010 Sakai et al.
 D628,720 S 12/2010 Wang
 D629,129 S 12/2010 Lin et al.
 D629,930 S 12/2010 Cotter et al.
 D630,347 S 1/2011 Pei et al.
 D634,031 S 3/2011 de Visser et al.
 D634,037 S 3/2011 Jeong et al.
 D635,105 S 3/2011 Maxik et al.
 D636,902 S 4/2011 Pei et al.
 D636,904 S 4/2011 Leahy et al.
 D640,820 S 6/2011 Hopper
 D646,409 S 10/2011 MacDonald et al.
 D648,041 S 11/2011 Mahler et al.
 D650,495 S 12/2011 Foo
 D652,564 S 1/2012 Maxik
 D654,192 S 2/2012 Maxik et al.
 D656,631 S 3/2012 Leahy et al.
 D658,791 S 5/2012 Maxik et al.
 D659,266 S 5/2012 Maxik et al.
 D662,627 S 6/2012 Pan
 D663,051 S 7/2012 Xu et al.
 D663,057 S 7/2012 Pan
 D663,446 S 7/2012 Maxik et al.
 D665,107 S 8/2012 Tu
 2006/0215408 A1 9/2006 Lee
 2007/0285926 A1 12/2007 Maxik
 2008/0253125 A1 10/2008 Kang et al.
 2009/0141500 A1 6/2009 Peng
 2009/0296402 A1 12/2009 Chang et al.
 2010/0027270 A1 2/2010 Huang et al.
 2010/0091487 A1 4/2010 Shin

OTHER PUBLICATIONS

SP-E27 LB60 Nicha / Cree LED Lamp, posted Dec. 18, 2008, http://www.diytrade.com/china/4/products/4950147/SPE-27_LB60_Nicha_Cree_LED_Lamp.html, accessed Jun. 30, 2009.
 F.S. Maxik, "GU10 Lamp" Office Action mailed Mar. 16, 2011; U.S. Appl. No. 29/340,670, filed Jul. 23, 2009.

* cited by examiner

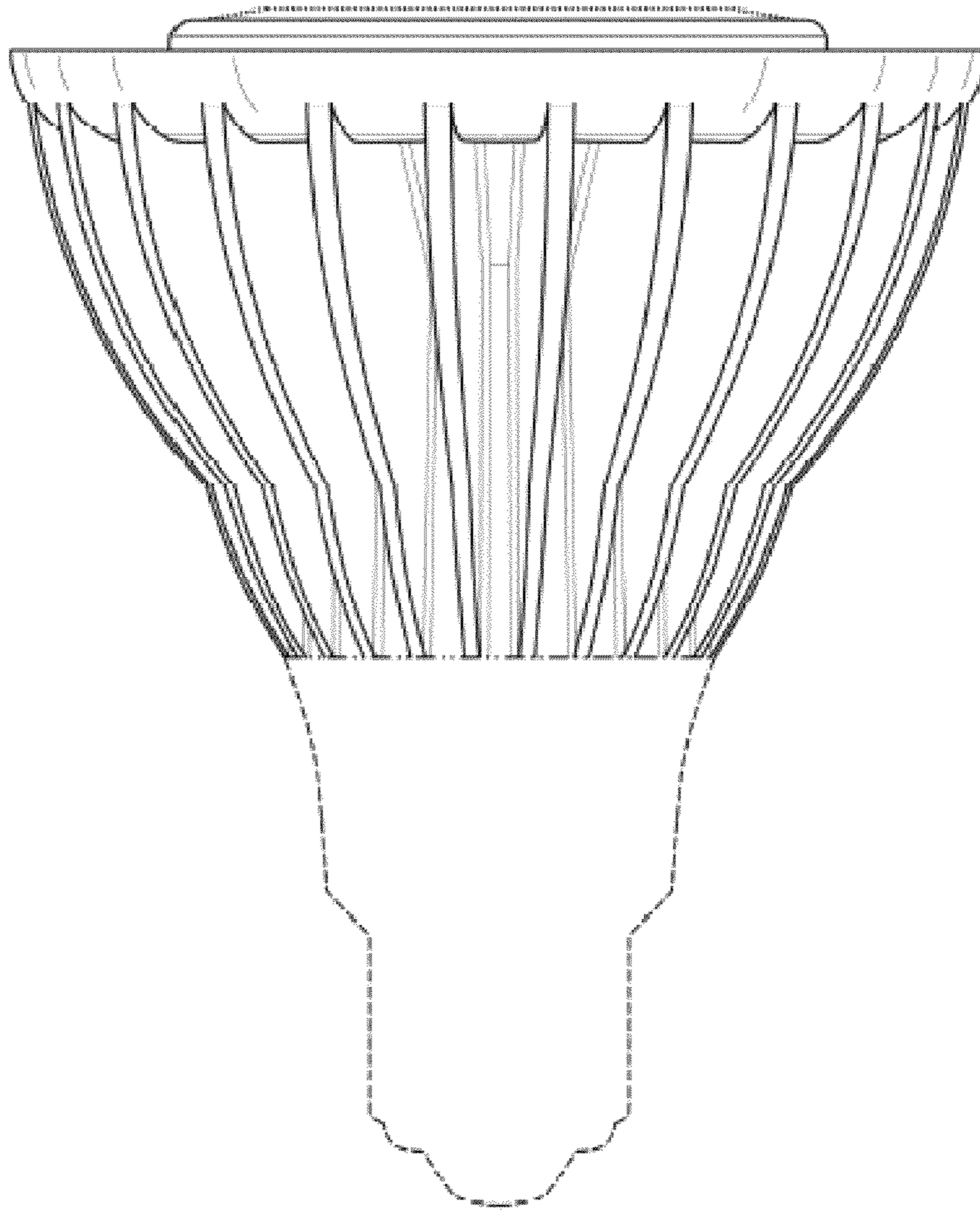


FIG. 1

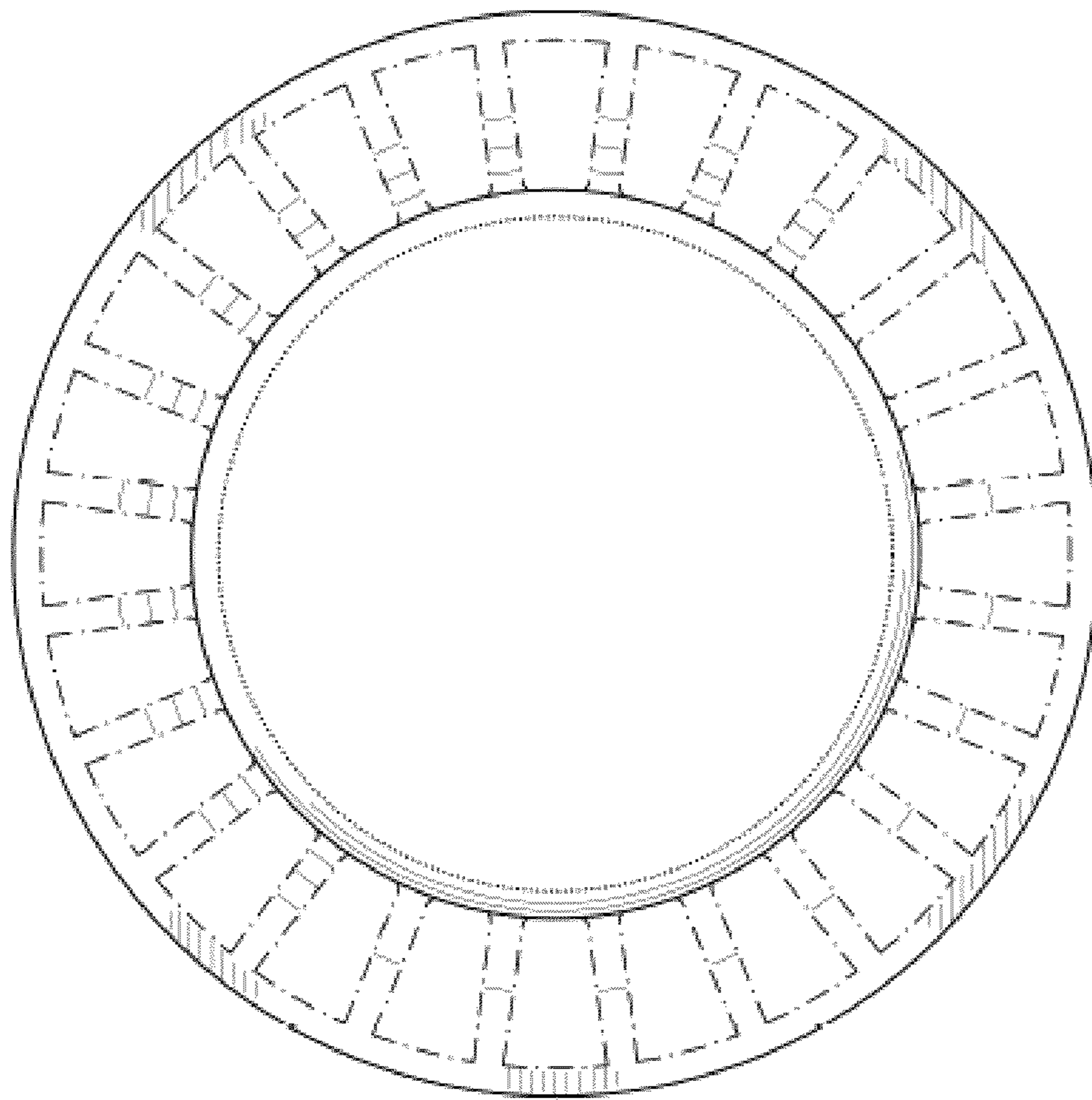


FIG. 2

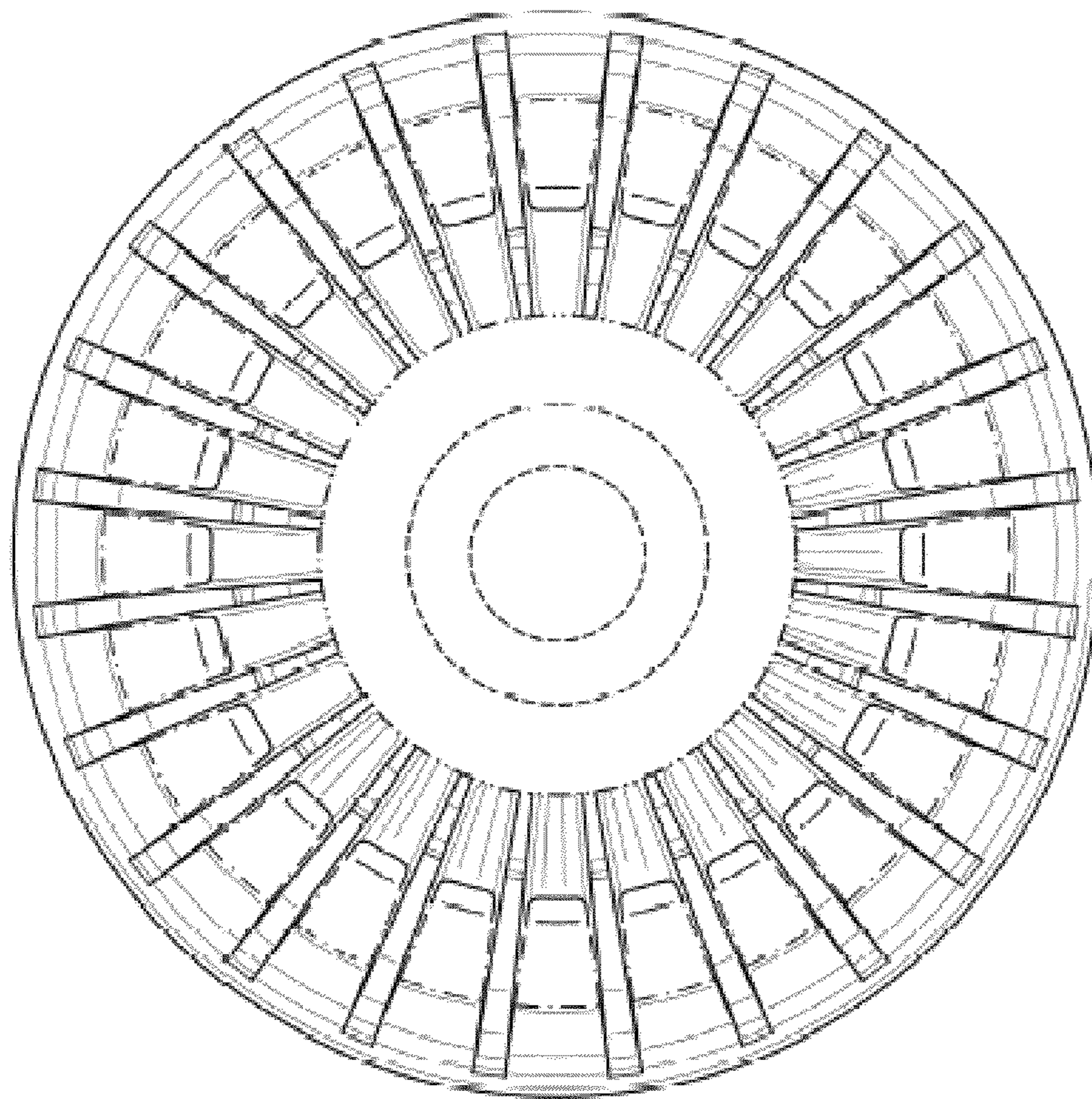


FIG. 3

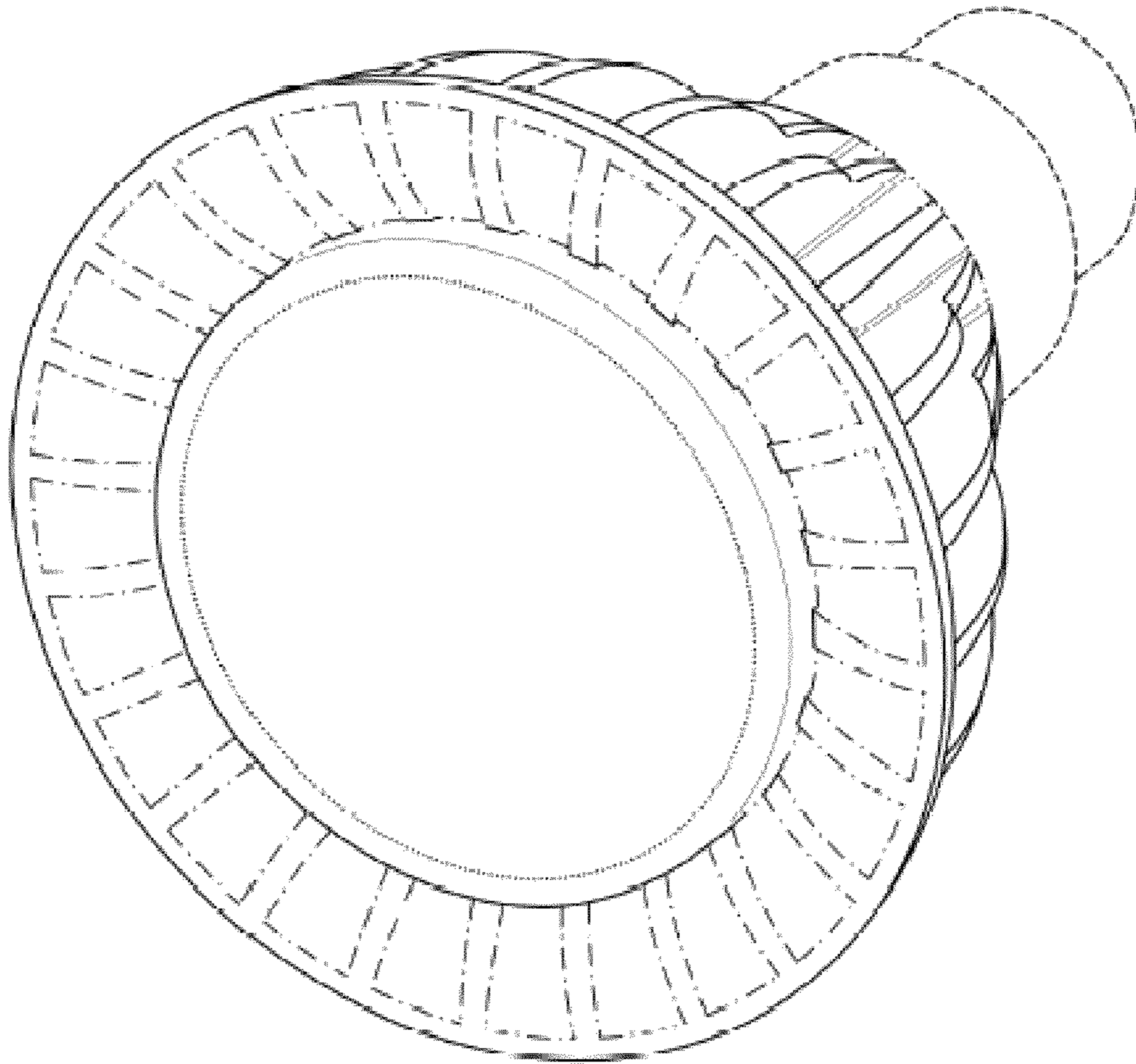


FIG. 4

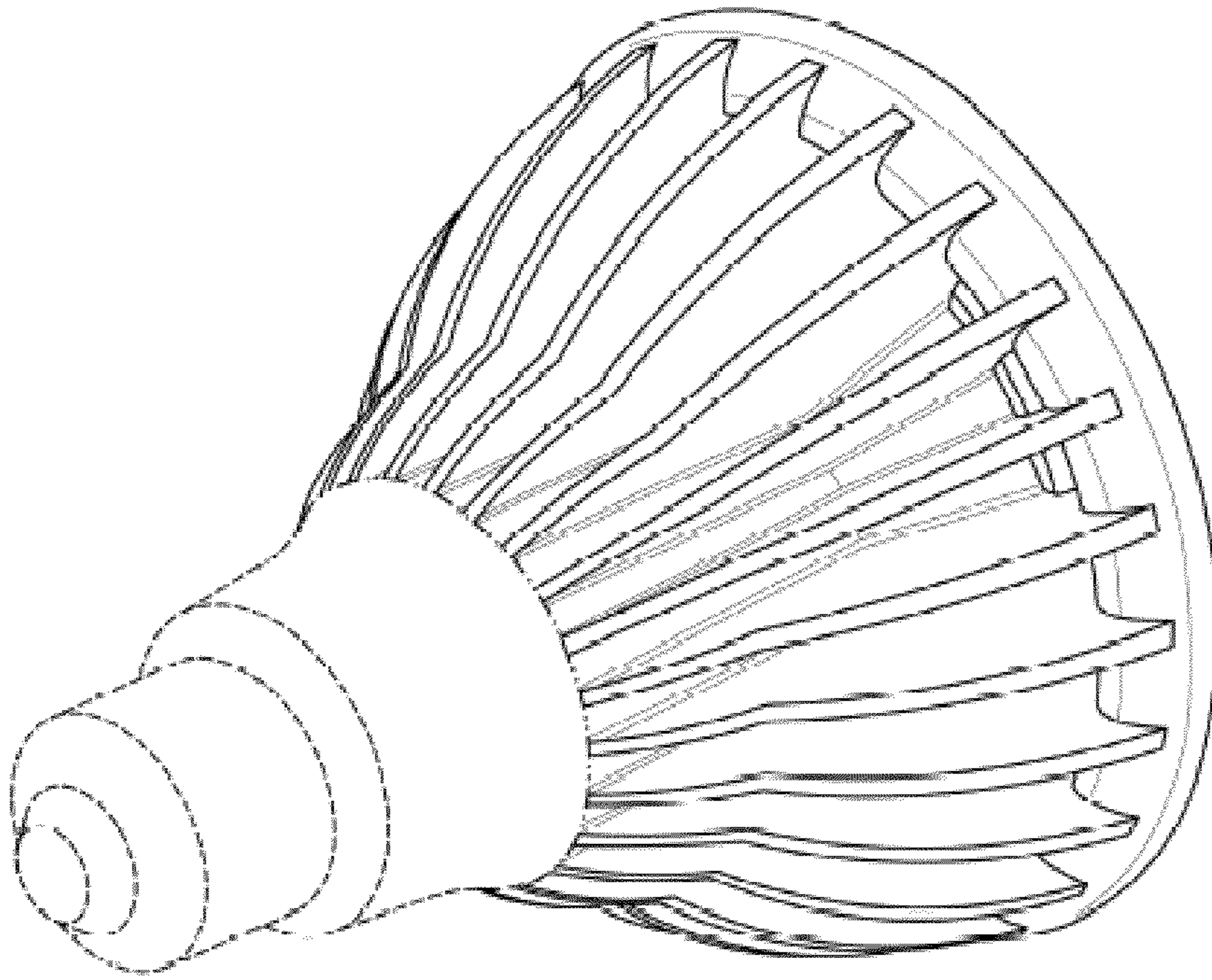


FIG. 5