



US00D689217S

(12) **United States Design Patent**
Tsai

(10) **Patent No.:** **US D689,217 S**

(45) **Date of Patent:** **** Sep. 3, 2013**

(54) **LED LIGHT DEVICE**

(75) **Inventor:** **Wen-Kuei Tsai, Taipei (TW)**

(73) **Assignee:** **Top Energy Saving System Corp., New Taipei (TW)**

(**) **Term:** **14 Years**

(21) **Appl. No.:** **29/431,274**

(22) **Filed:** **Sep. 5, 2012**

(30) **Foreign Application Priority Data**

Mar. 5, 2012 (TW) 101301147

(51) **LOC (9) Cl.** **26-04**

(52) **U.S. Cl.**
USPC **D26/2**

(58) **Field of Classification Search**
USPC D26/1-4; 313/313, 315, 316, 317,
313/318, 493; 315/52, 53, 56, 57, 58
See application file for complete search history.

(56) **References Cited**

U.S. PATENT DOCUMENTS

D566,300 S *	4/2008	Lo	D26/2
D570,504 S *	6/2008	Maxik et al.	D26/2
D582,578 S *	12/2008	Tsai et al.	D26/2
D586,928 S *	2/2009	Liu et al.	D26/2
D594,995 S *	6/2009	Komar	D26/2

D601,279 S *	9/2009	Ou et al.	D26/2
D607,586 S *	1/2010	Ko	D26/2
D620,152 S *	7/2010	Lai et al.	D26/2
D627,495 S *	11/2010	Lai et al.	D26/2

* cited by examiner

Primary Examiner — Marcus Jackson

(74) *Attorney, Agent, or Firm* — Stout, Uxa, Buyan & Mullins, LLP

(57) **CLAIM**

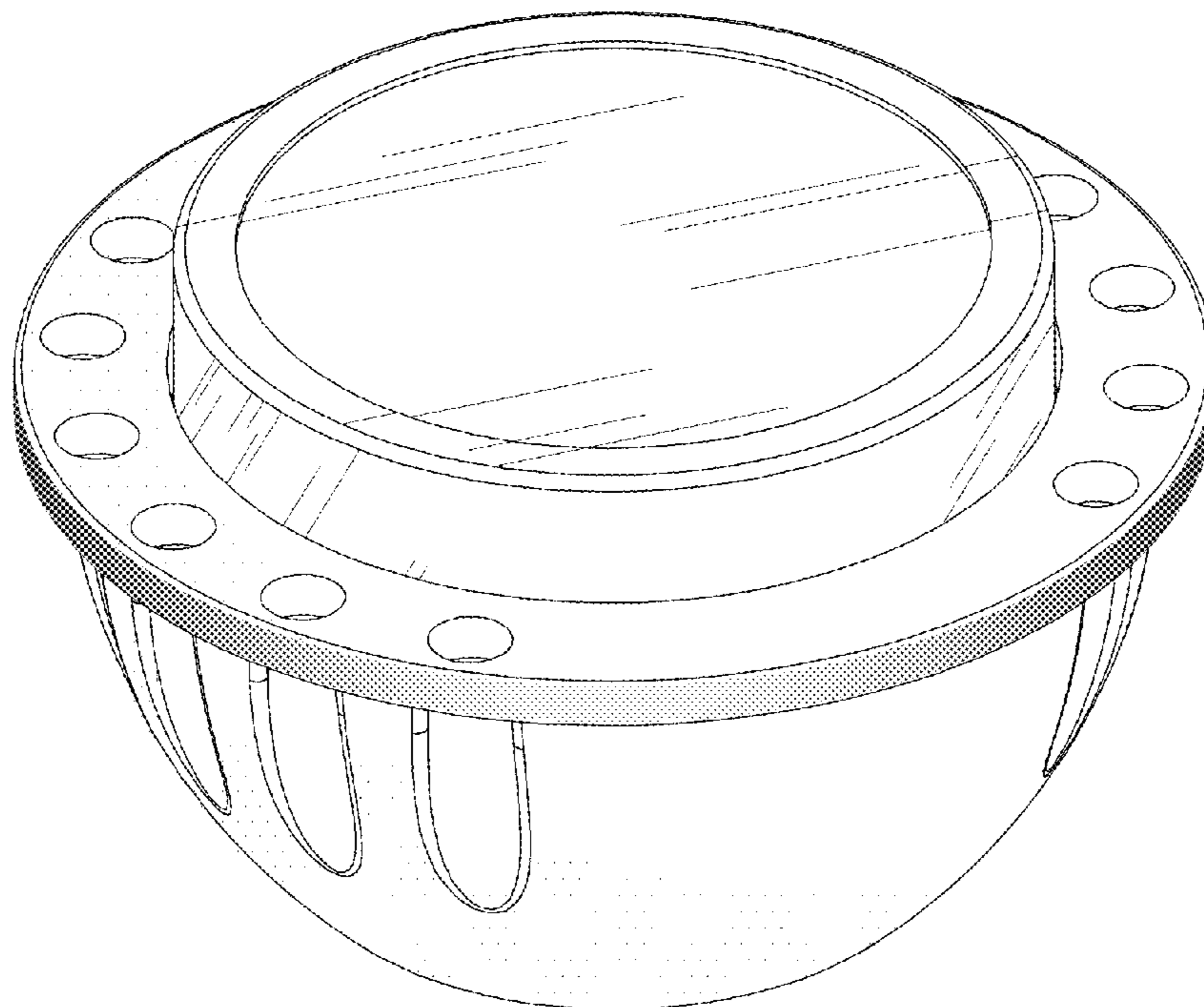
The ornamental design for a LED light device, as shown and described.

DESCRIPTION

FIG. 1 is a perspective view of a design for a LED light device showing our new design;
FIG. 2 is a front elevational view thereof;
FIG. 3 is a rear elevational view thereof;
FIG. 4 is a left side elevational view thereof;
FIG. 5 is a right side elevational view thereof;
FIG. 6 is a top plan view thereof;
FIG. 7 is a bottom plan view thereof;
FIG. 8 is another perspective view;
FIG. 9 is another perspective view; and,
FIG. 10 is another perspective view.

The broken lines in the drawings are for illustrative purpose only and form no part of the claimed design.

1 Claim, 10 Drawing Sheets



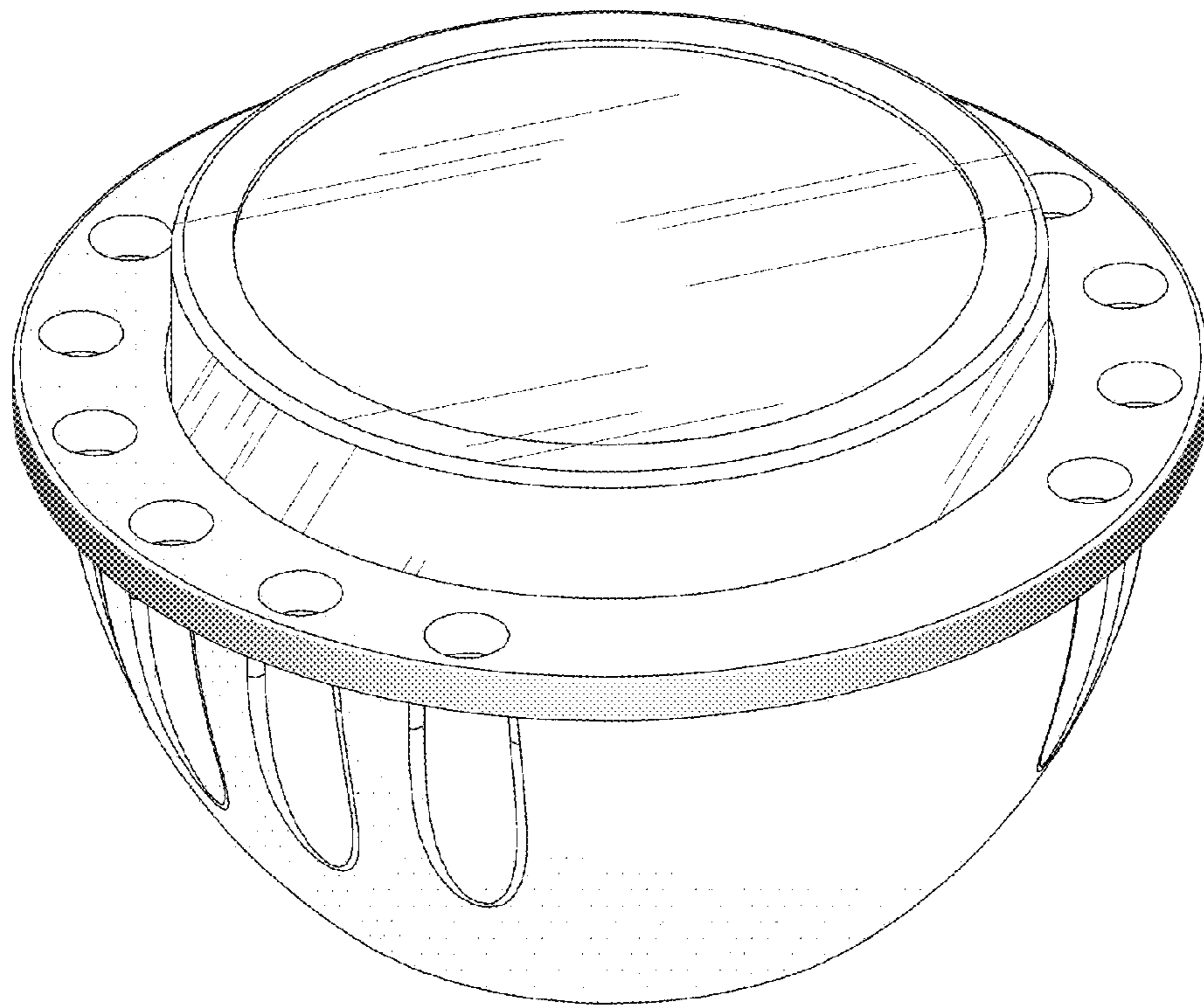


FIG.1

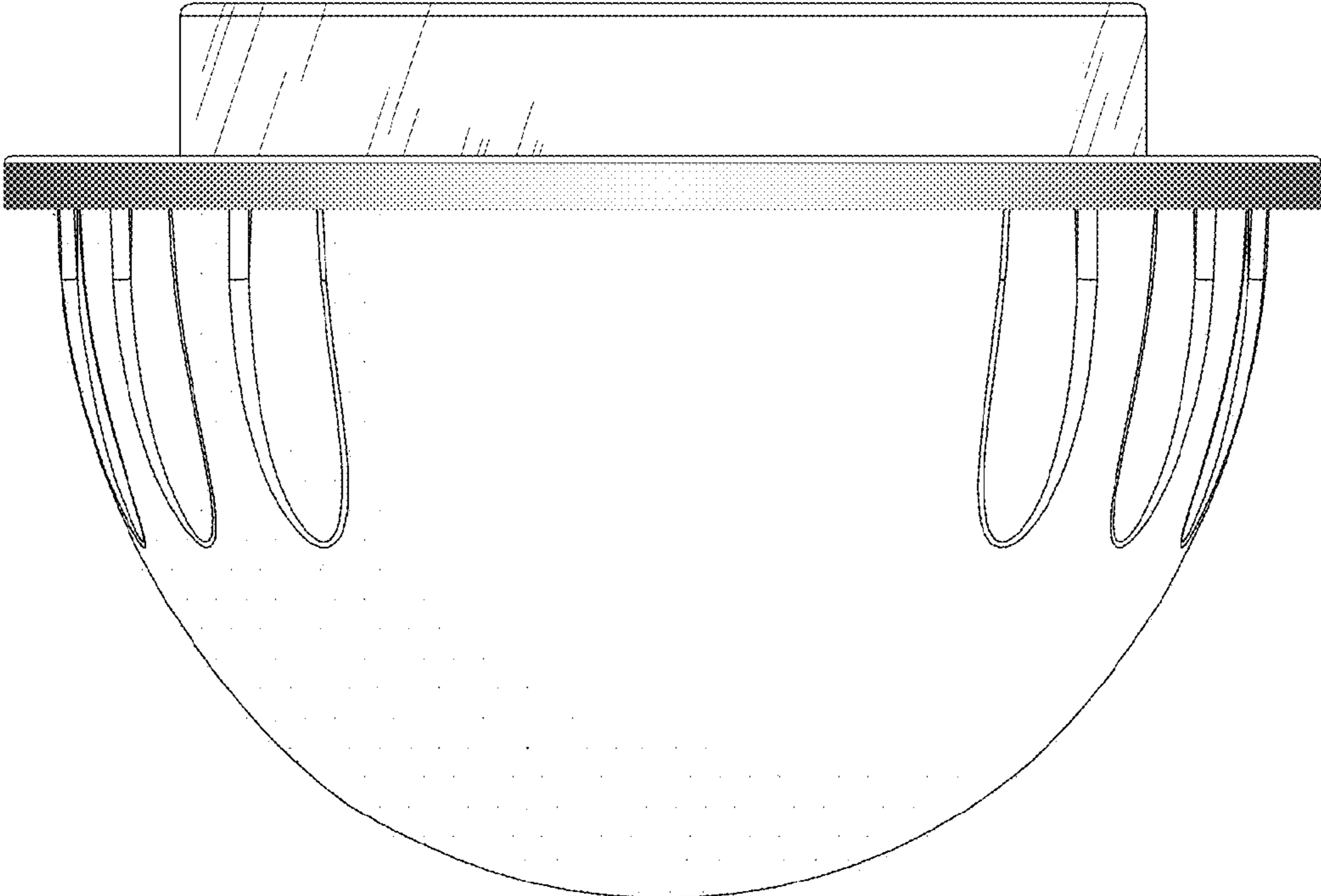


FIG.2

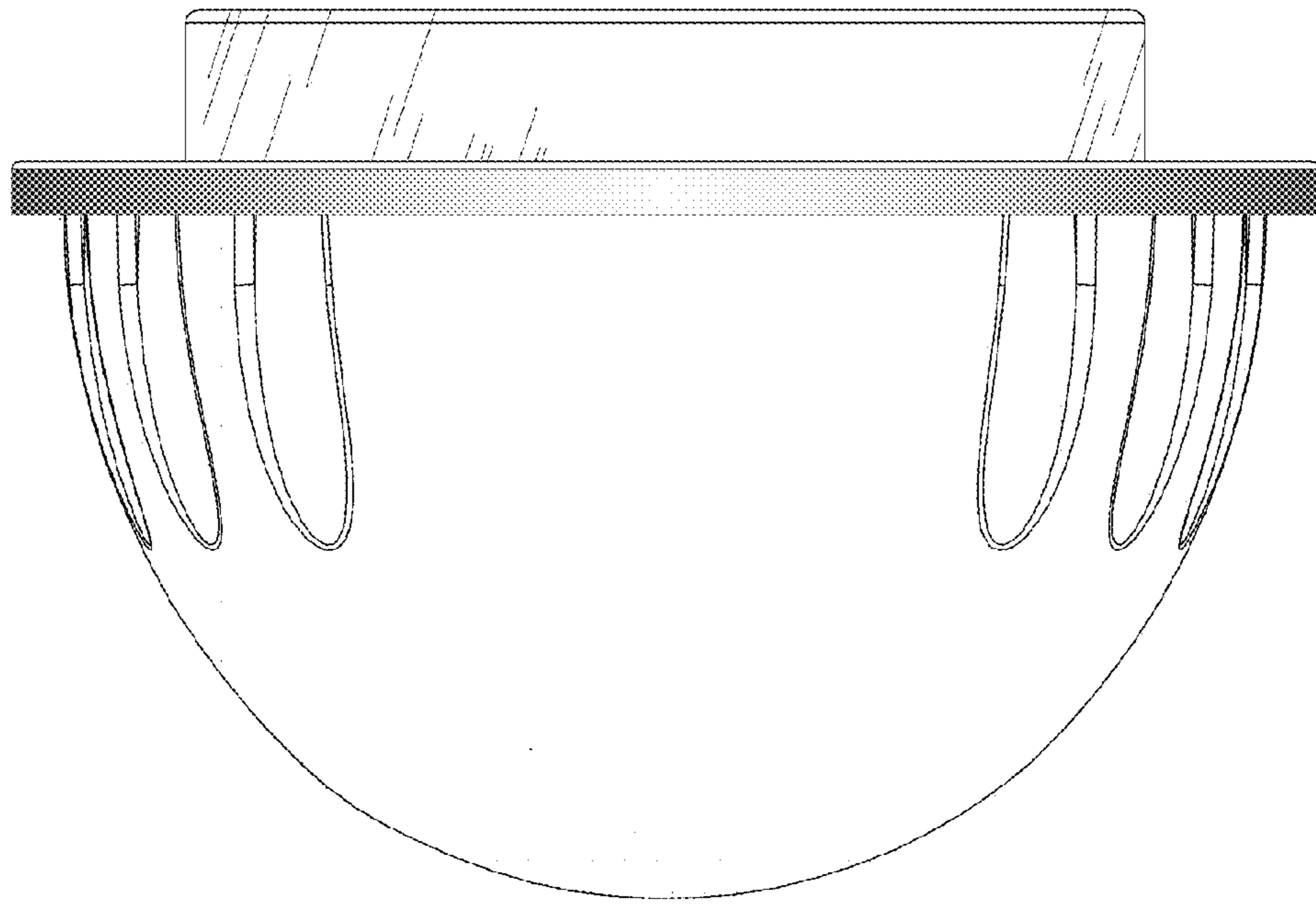


FIG.3

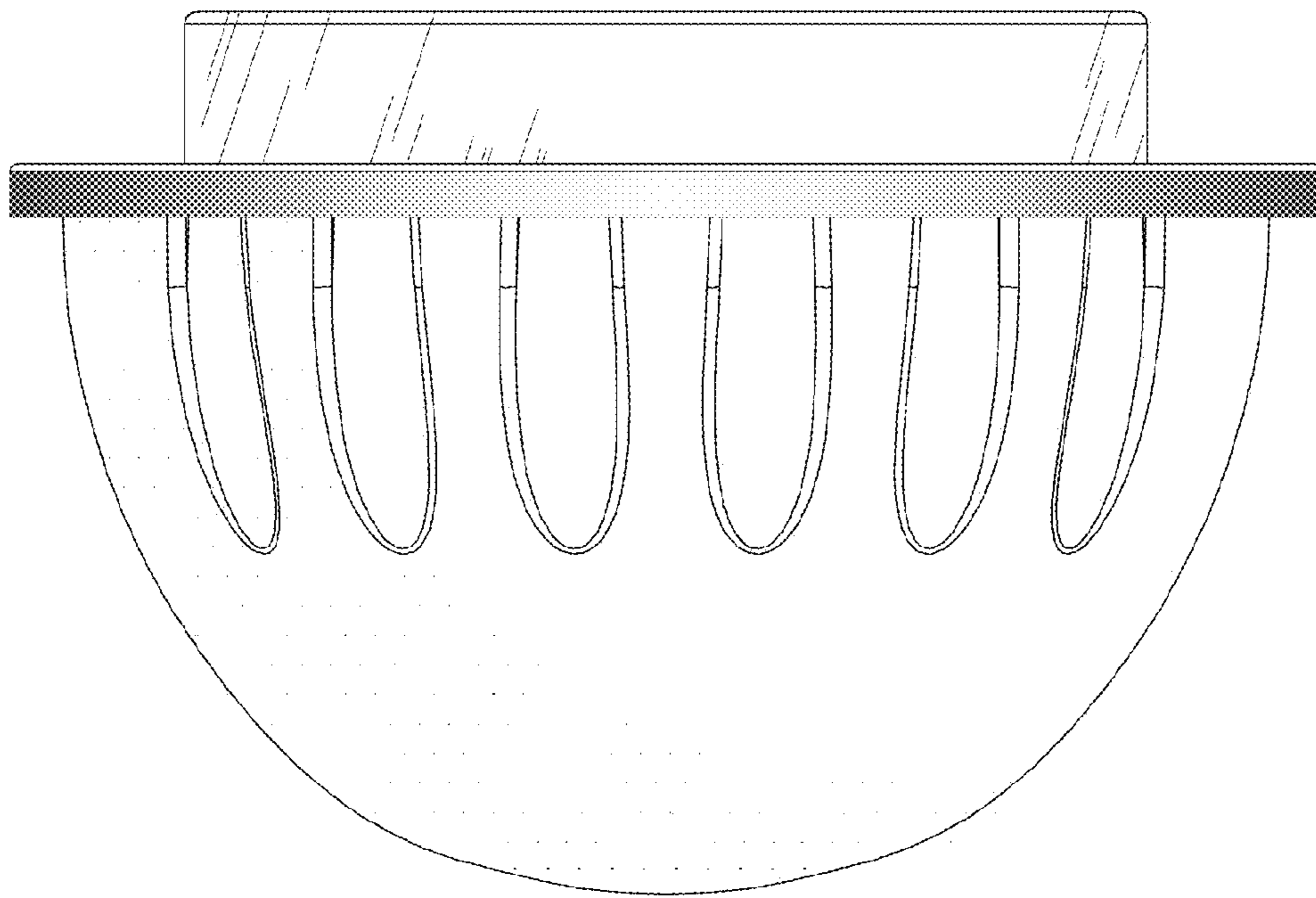


FIG.4

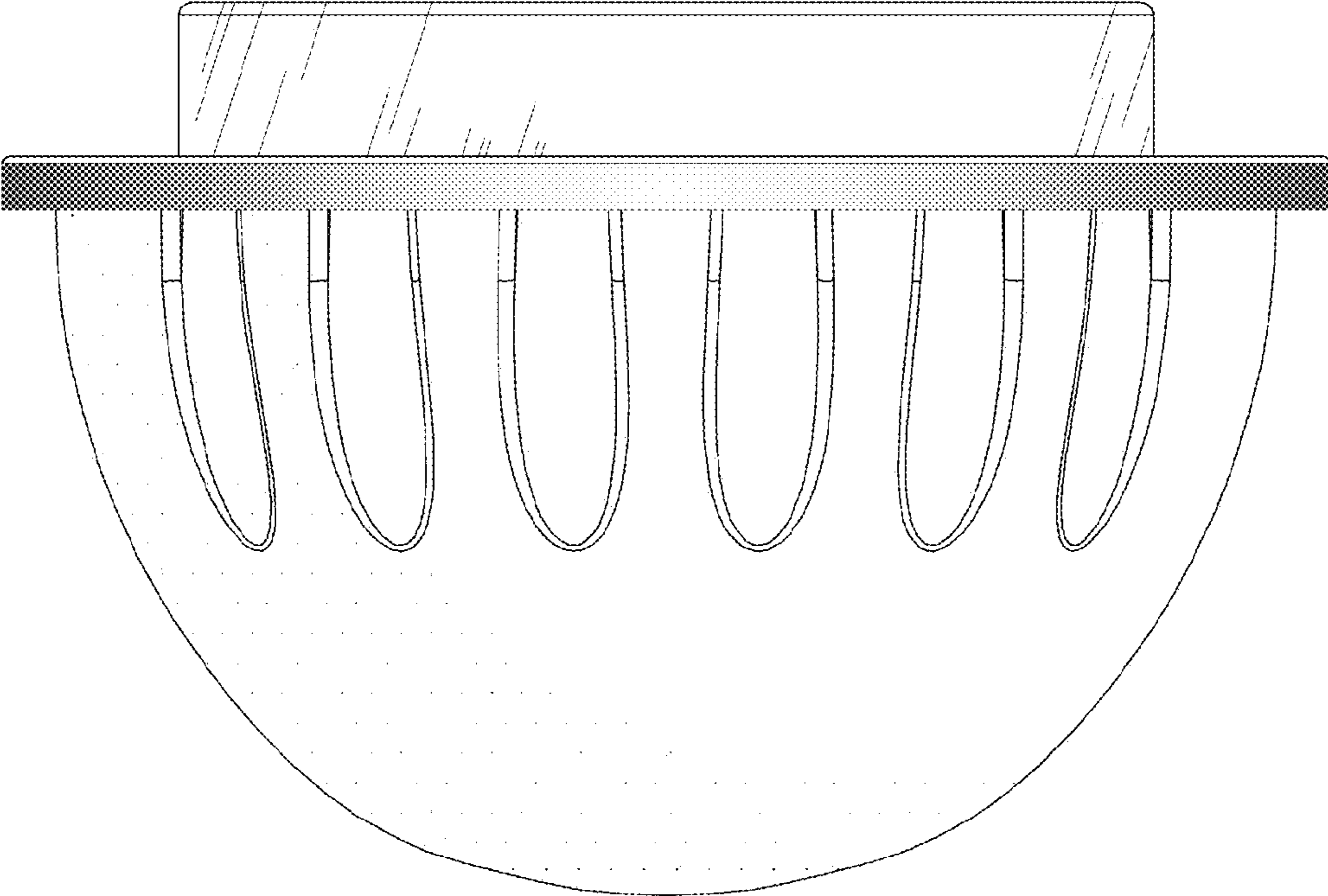


FIG.5

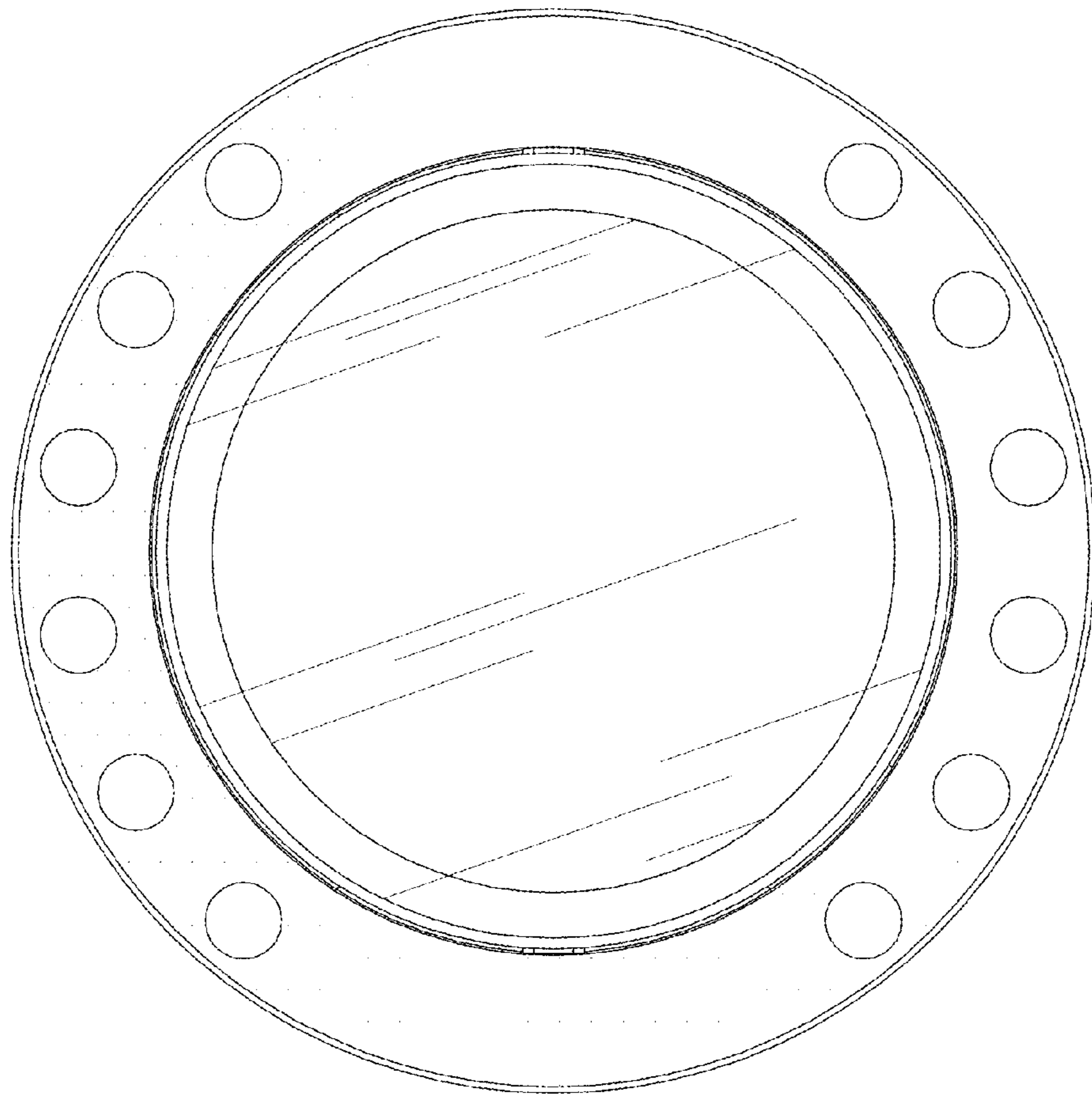


FIG.6

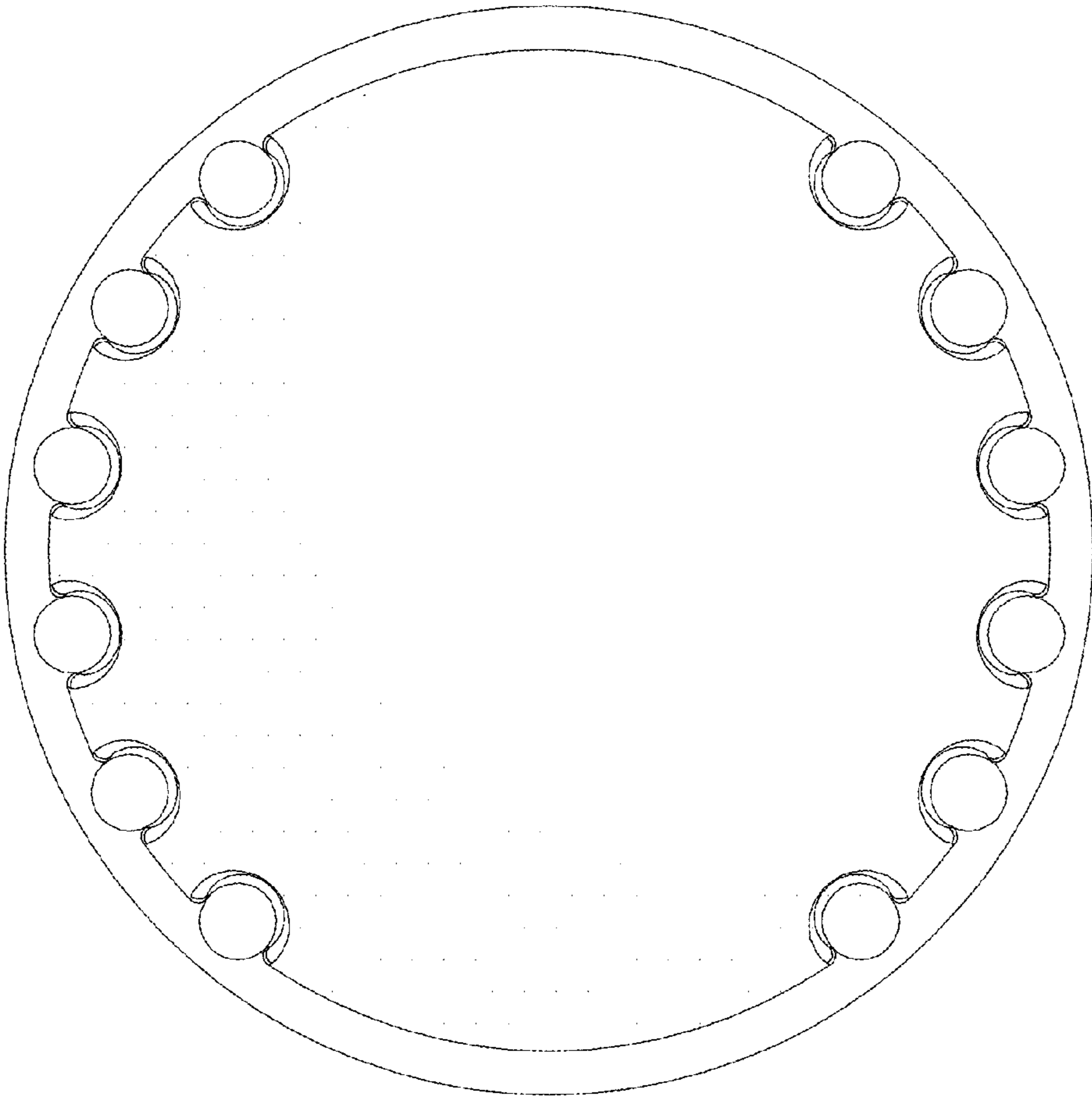


FIG.7

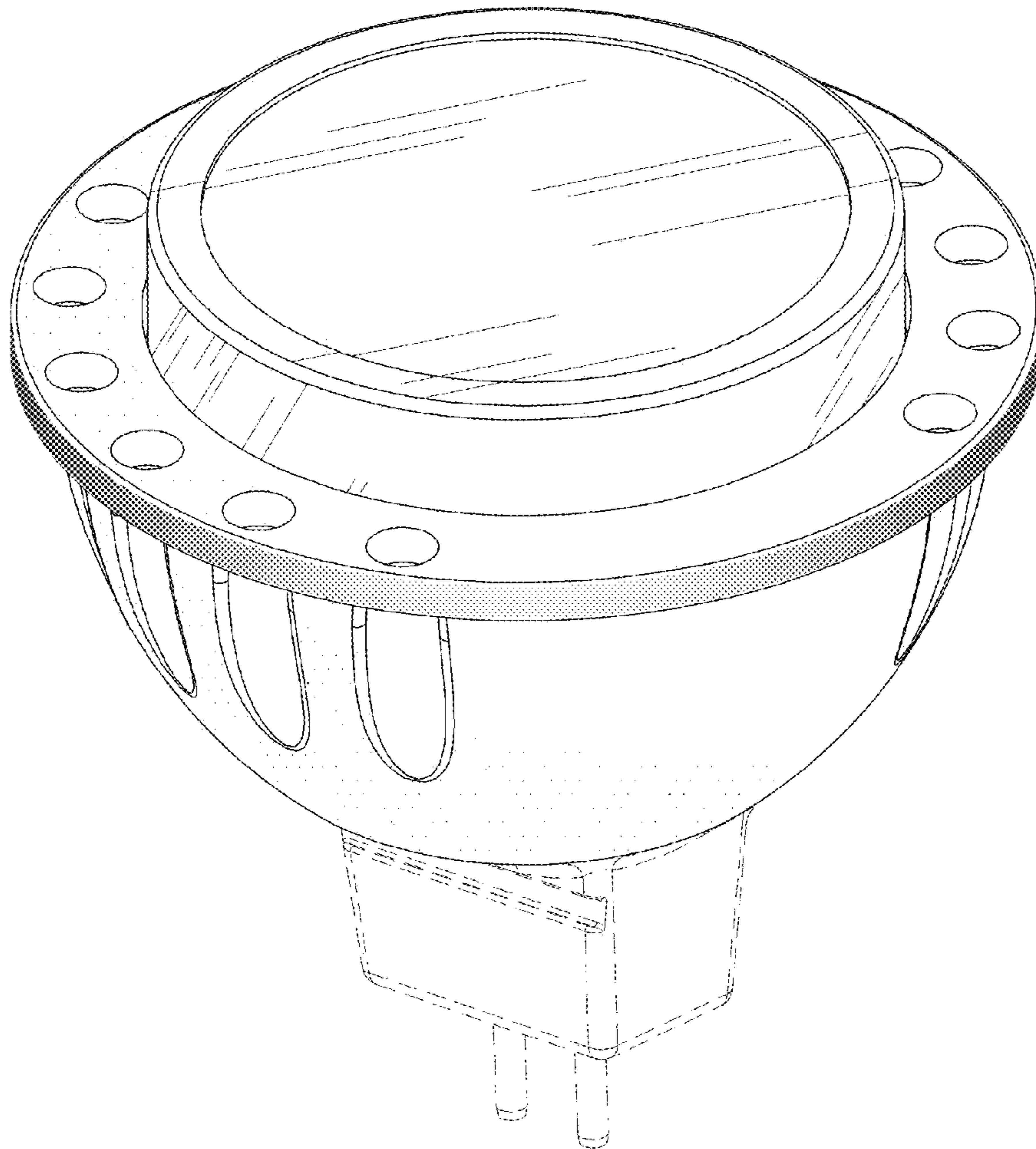


FIG.8

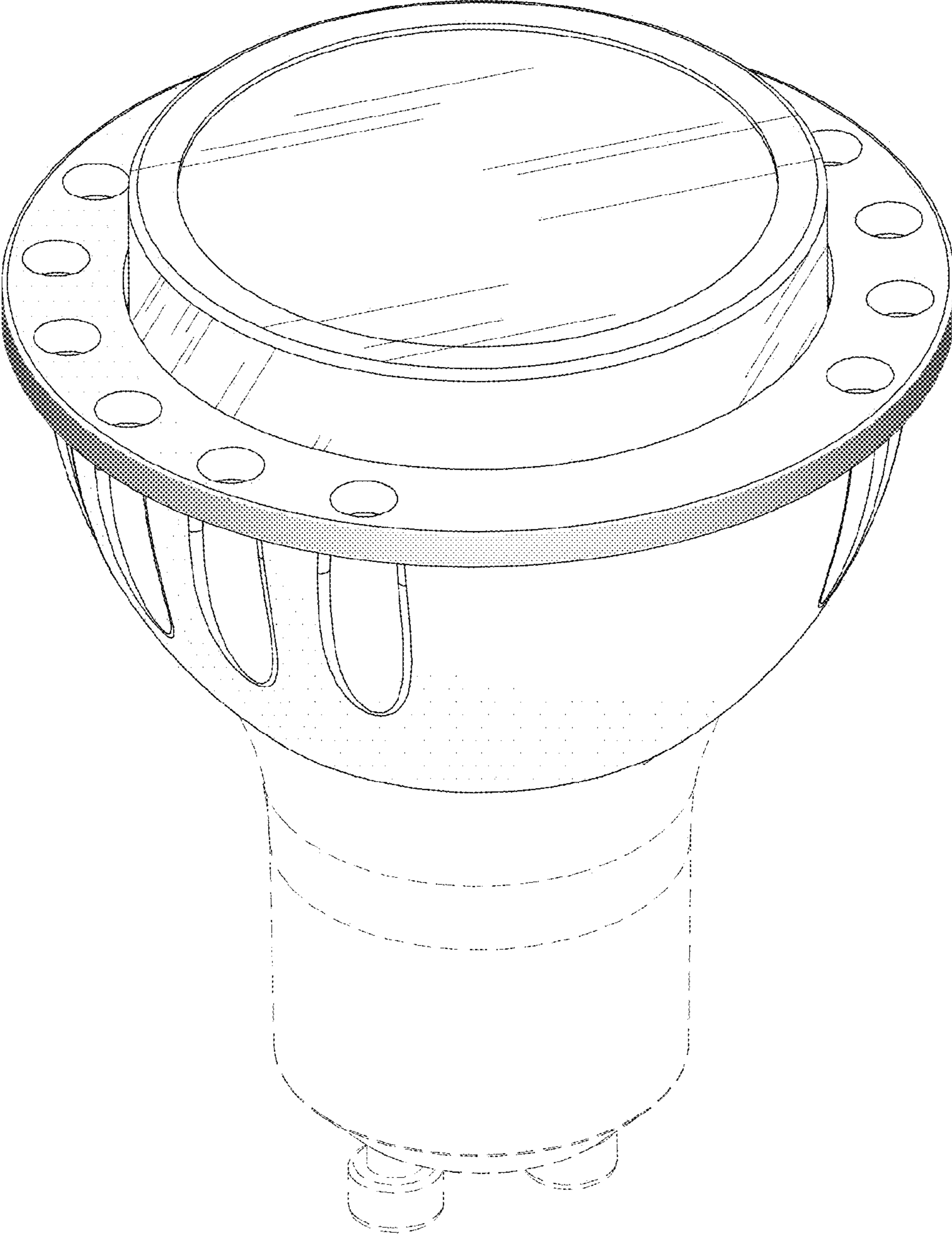


FIG.9

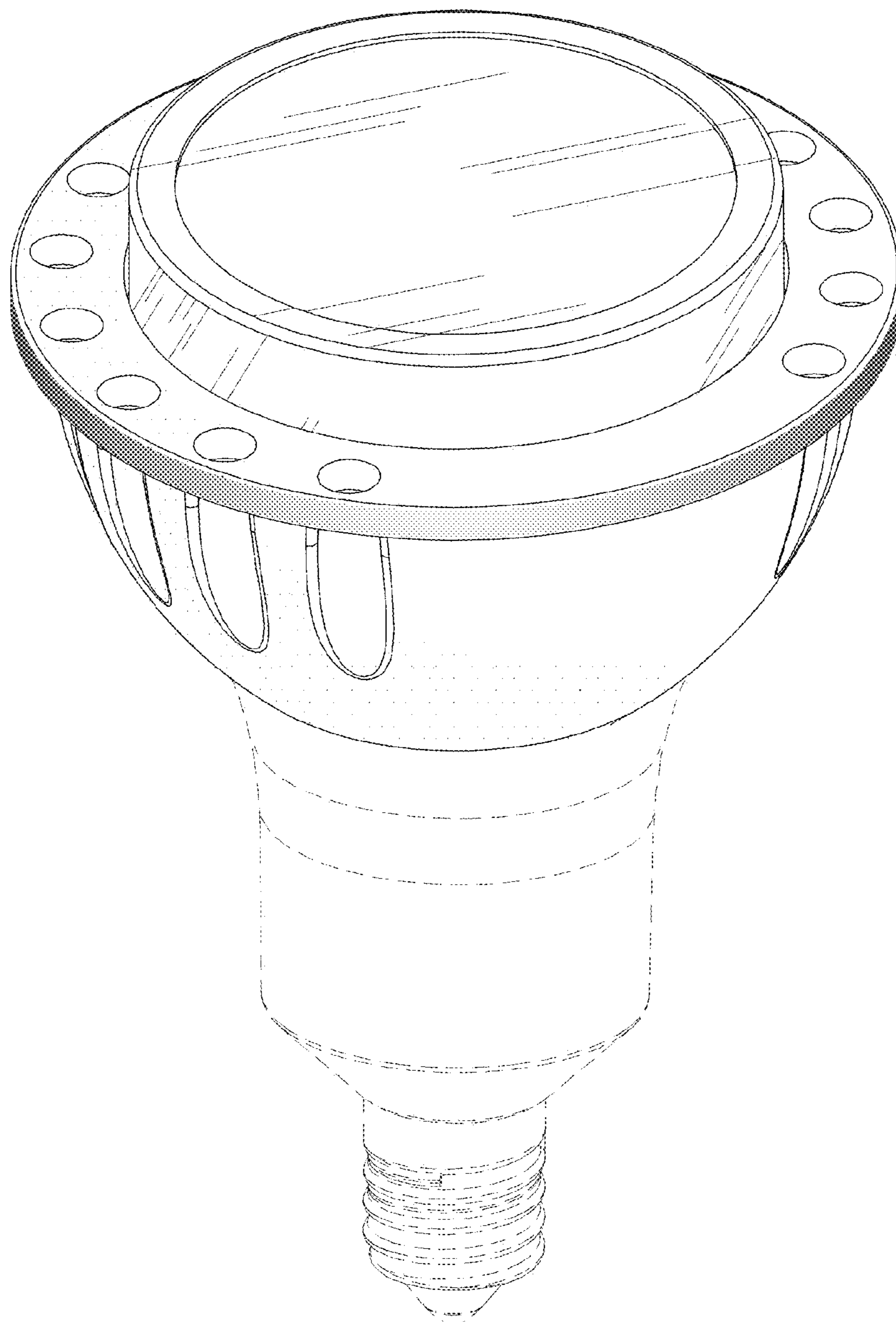


FIG.10