



US00D689216S

(12) **United States Design Patent**  
**Chow et al.**

(10) **Patent No.:** **US D689,216 S**

(45) **Date of Patent:** **\*\* Sep. 3, 2013**

(54) **BULB LAMP**

(75) Inventors: **Yu-Liang Chow**, Taoyuan County (TW);  
**Ming-Chuan Lin**, Taichung (TW);  
**Chia-Ta Chang**, Changhua County  
(TW); **Shih-Cheng Wang**, Changhua  
County (TW); **Kuang-Neng Chen**,  
Taichung (TW)

(73) Assignees: **Dongguan Masstop Liquid Crystal  
Display Co., Ltd.**, Dongcheng District,  
Dongguan, Guangdong Province (CN);  
**Wintek Corporation**, Tanzi Dist.,  
Taichung (TW)

(\*\*) Term: **14 Years**

(21) Appl. No.: **29/431,078**

(22) Filed: **Sep. 3, 2012**

(30) **Foreign Application Priority Data**

Jul. 11, 2012 (TW) ..... 101304051

(51) **LOC (9) Cl.** ..... **26-04**

(52) **U.S. Cl.**  
USPC ..... **D26/2**

(58) **Field of Classification Search**  
USPC ..... D26/1-4; 313/313, 315, 316, 328,  
313/493; 315/52, 53, 56, 57, 58  
See application file for complete search history.

(56) **References Cited**

U.S. PATENT DOCUMENTS

D543,288	S	*	5/2007	Bembridge	.....	D26/2
D558,904	S	*	1/2008	Tsuruha et al.	.....	D26/2
D579,130	S	*	10/2008	Hernandez et al.	.....	D26/2
D600,368	S	*	9/2009	Bertram et al.	.....	D26/2
D610,272	S	*	2/2010	Guo et al.	.....	D26/2
D669,611	S	*	10/2012	Yamamoto et al.	.....	D26/2
D675,755	S	*	2/2013	Yamamoto et al.	.....	D26/2

\* cited by examiner

*Primary Examiner* — Marcus Jackson

(74) *Attorney, Agent, or Firm* — Winston Hsu; Scott Margo

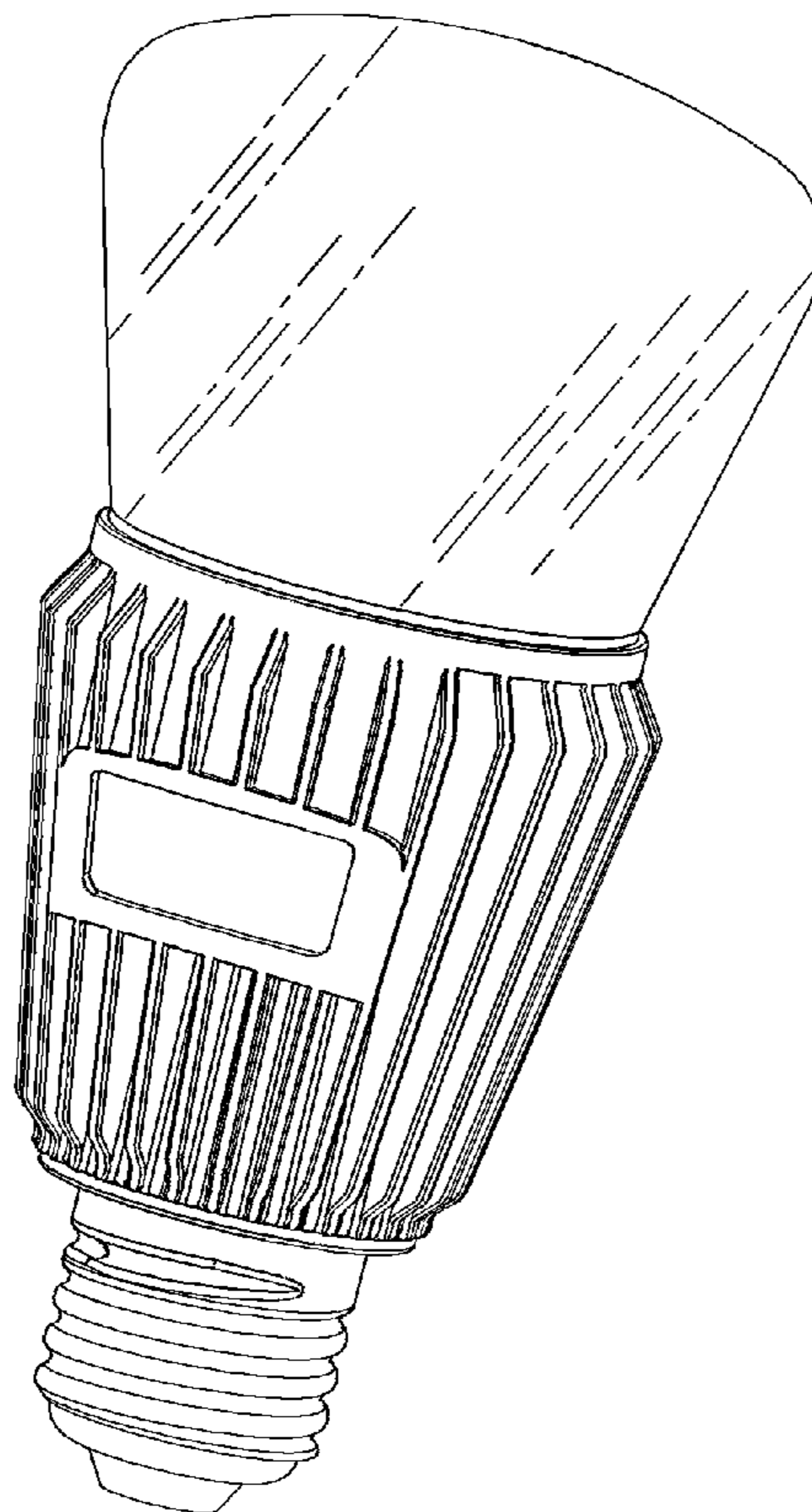
(57) **CLAIM**

The ornamental design for a bulb lamp, as shown and described.

**DESCRIPTION**

FIG. 1 is a perspective view of a bulb lamp;  
FIG. 2 is a front view thereof;  
FIG. 3 is a rear view thereof;  
FIG. 4 is a left side elevational view thereof;  
FIG. 5 is a right side elevational view thereof;  
FIG. 6 is a top plan view thereof; and,  
FIG. 7 is a bottom plan view thereof.

**1 Claim, 7 Drawing Sheets**



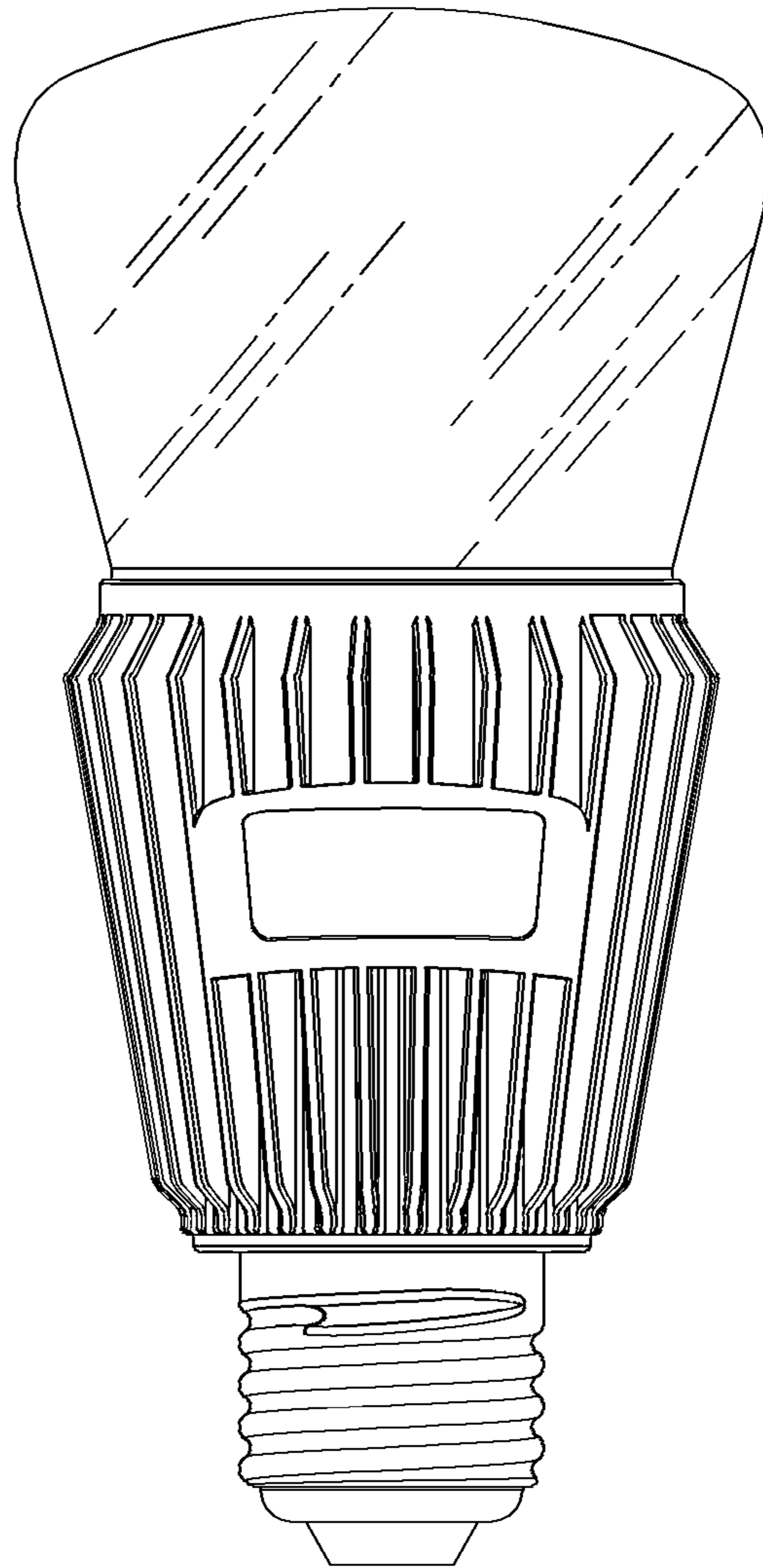


FIG. 1

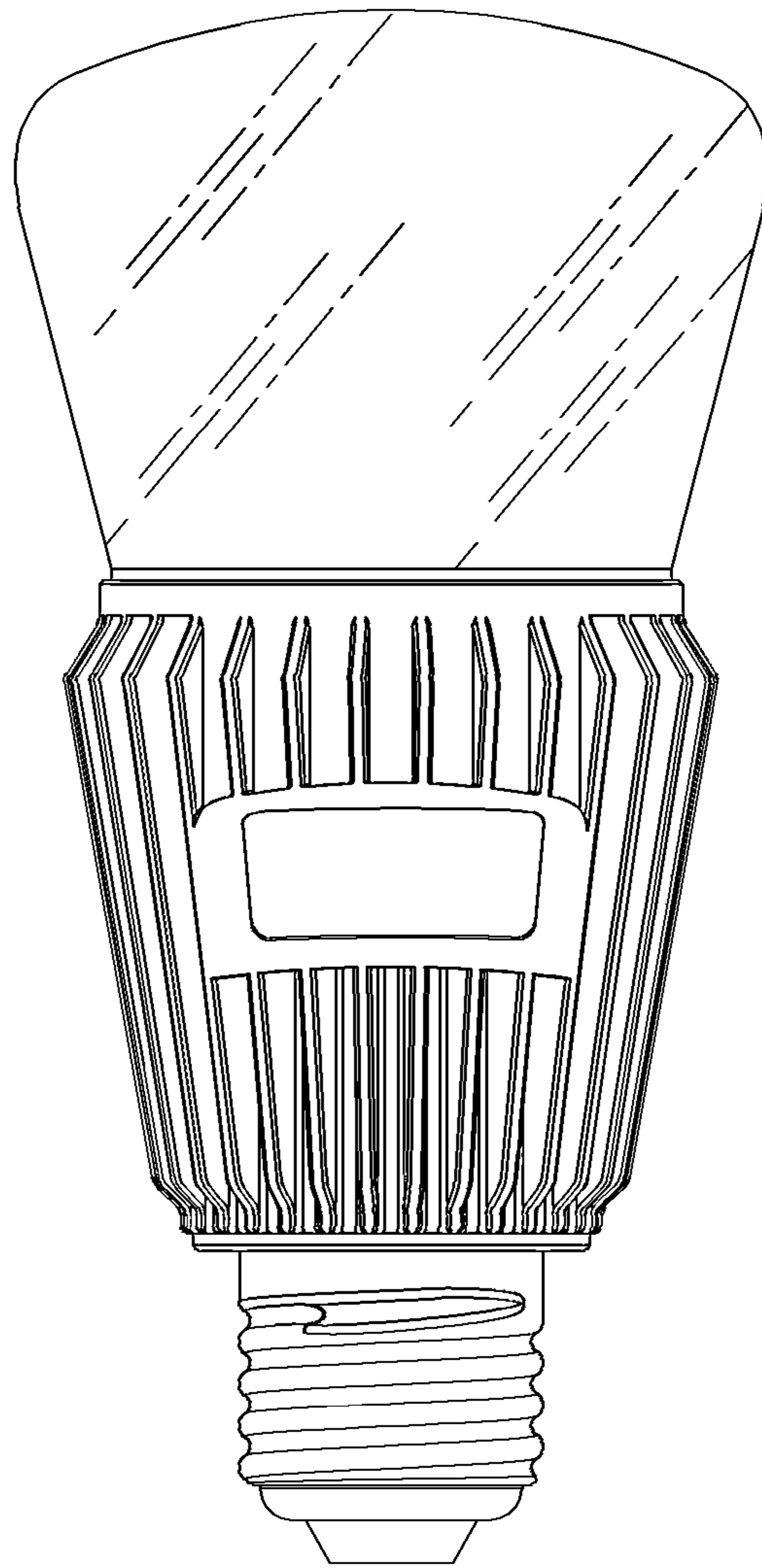


FIG. 2

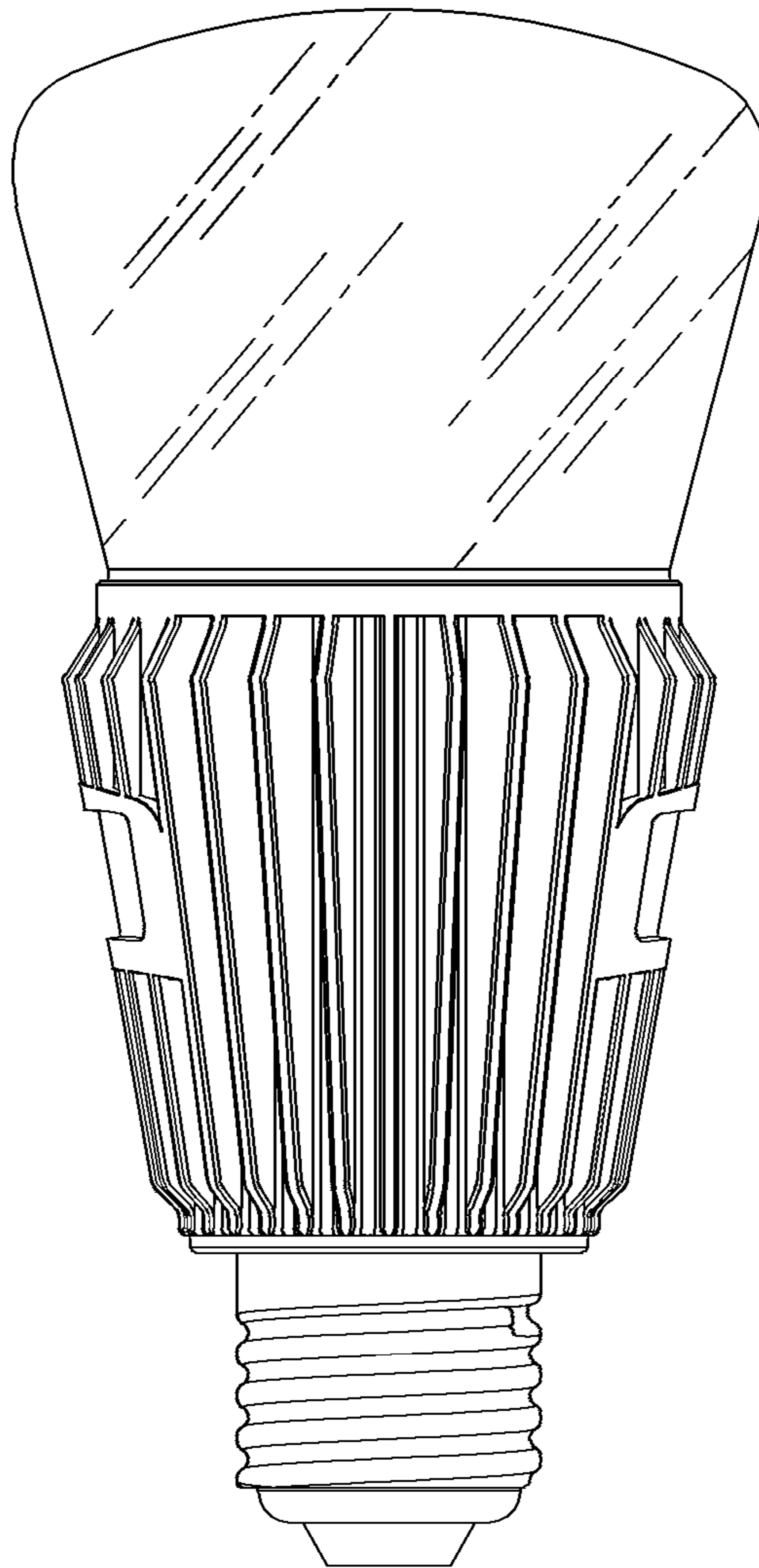


FIG. 3

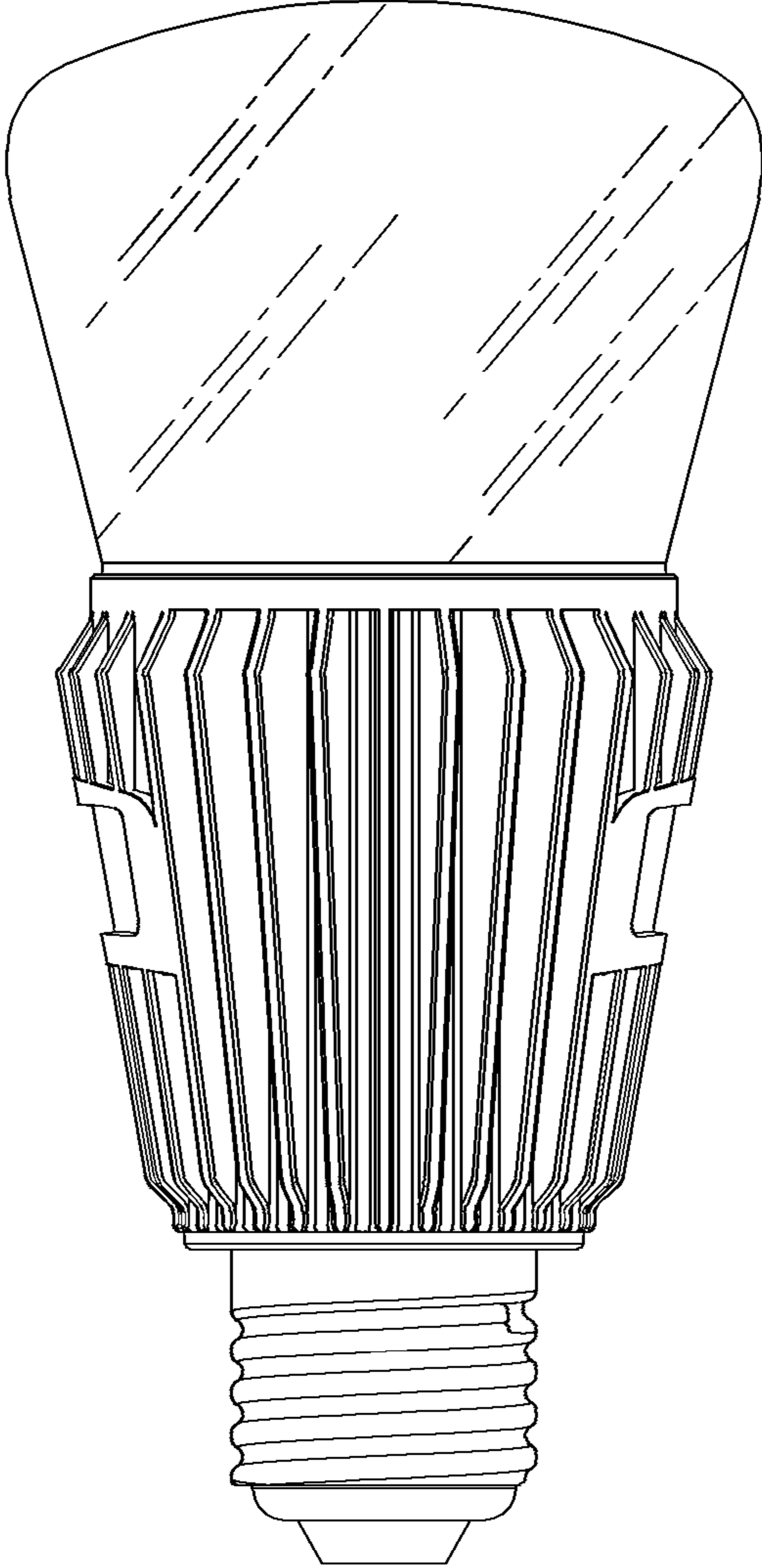


FIG. 4

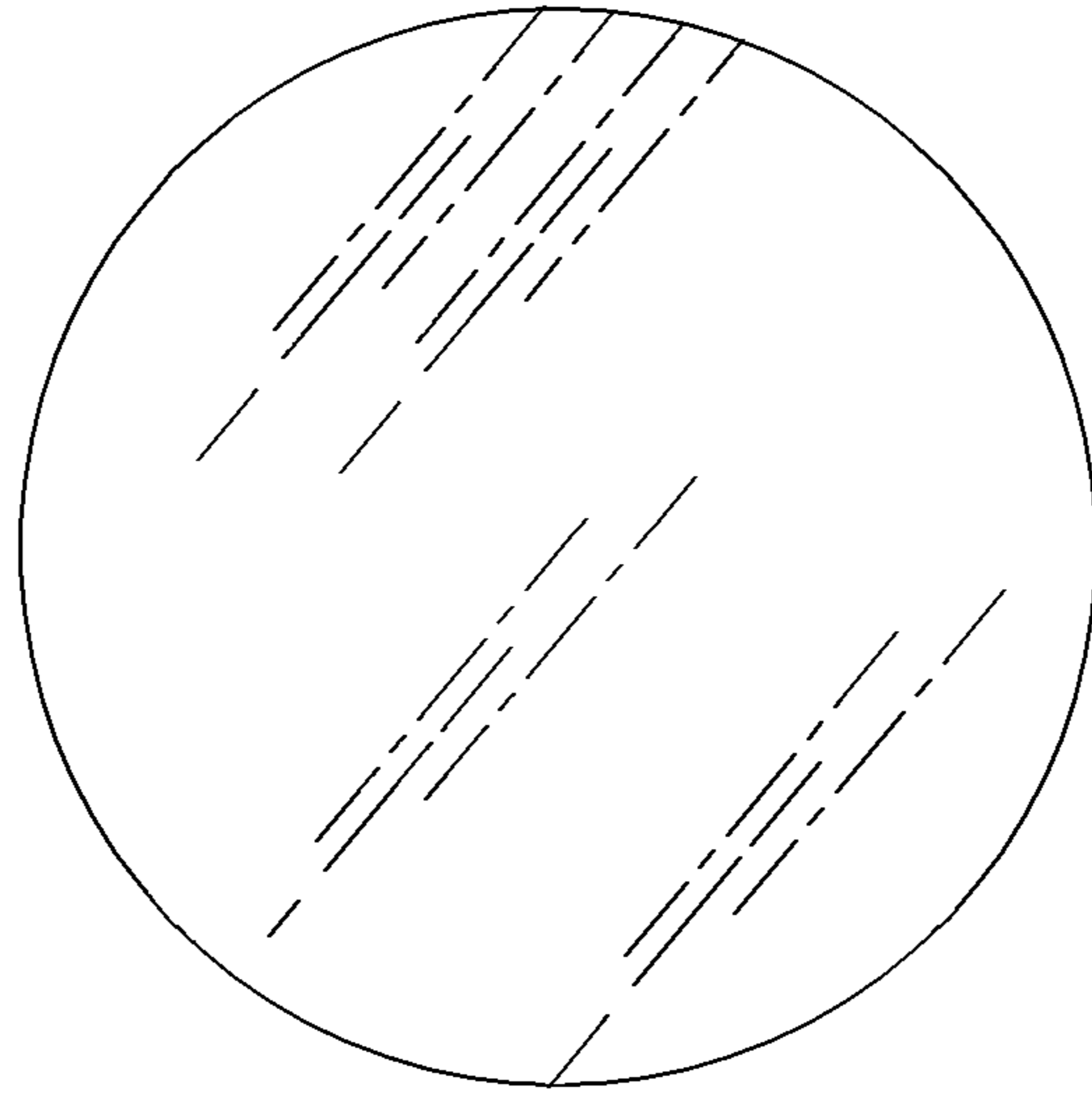


FIG. 5

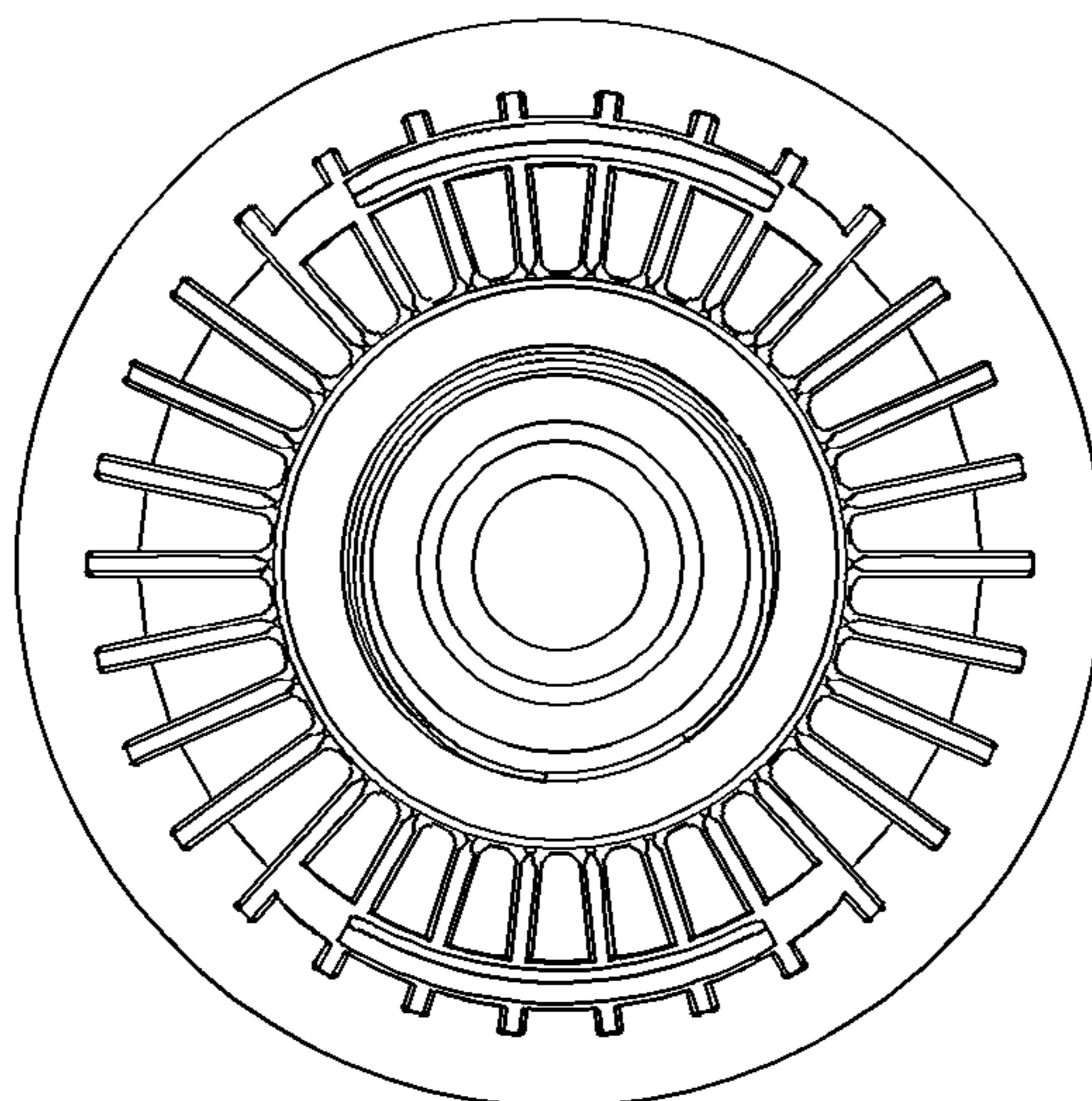


FIG. 6

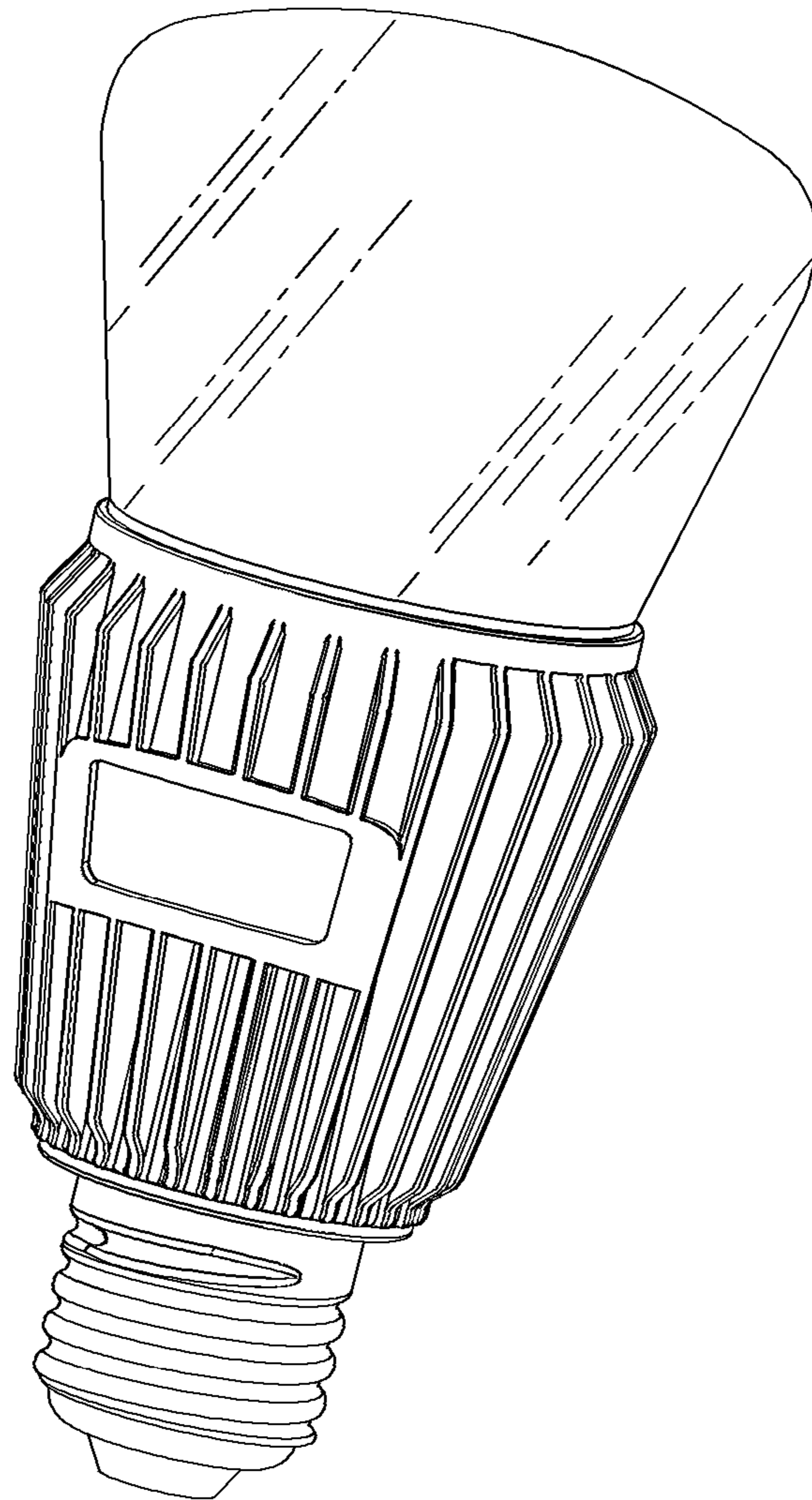


FIG. 7