



US00D689215S

(12) **United States Design Patent**
Xue

(10) **Patent No.:** **US D689,215 S**

(45) **Date of Patent:** **** Sep. 3, 2013**

(54) **LED BULB**

(56) **References Cited**

(75) Inventor: **Xinshen Xue**, Shenzhen (CN)

U.S. PATENT DOCUMENTS

(73) Assignee: **Civilight Shenzhen Semiconductor Lighting Co., Ltd.**, Shenzhen (CN)

| | | | | | | |
|----------|---|---|---------|------------------|-------|--------|
| D340,295 | S | * | 10/1993 | Beauchamp | | D26/2 |
| D406,203 | S | * | 3/1999 | Cheung | | D6/470 |
| D410,554 | S | * | 6/1999 | Guyton | | D26/2 |
| D422,099 | S | * | 3/2000 | Kracke | | D26/2 |
| D549,360 | S | * | 8/2007 | An | | D26/2 |
| D550,864 | S | * | 9/2007 | Hernandez et al. | | D26/2 |

(**) Term: **14 Years**

* cited by examiner

(21) Appl. No.: **29/426,301**

Primary Examiner — Marcus Jackson

(22) Filed: **Jul. 3, 2012**

(74) *Attorney, Agent, or Firm* — Hamre, Schumann, Mueller & Larson, P.C.

(30) **Foreign Application Priority Data**

(57) **CLAIM**

The ornamental design for an “LED bulb,” as shown and described.

May 14, 2012 (CN) 2012 3 0168956

DESCRIPTION

(51) **LOC (9) Cl.** **26-04**

FIG. 1 is a front, top and right side perspective view of an LED bulb showing my new design;

(52) **U.S. Cl.**

FIG. 2 is a front elevational view thereof;

USPC **D26/2**

FIG. 3 is a rear elevational view thereof;

(58) **Field of Classification Search**

USPC D26/1-4; 313/313, 315, 316, 317, 313/318, 493; 315/52, 53, 56, 57, 58

FIG. 4 is a left side elevational view thereof;

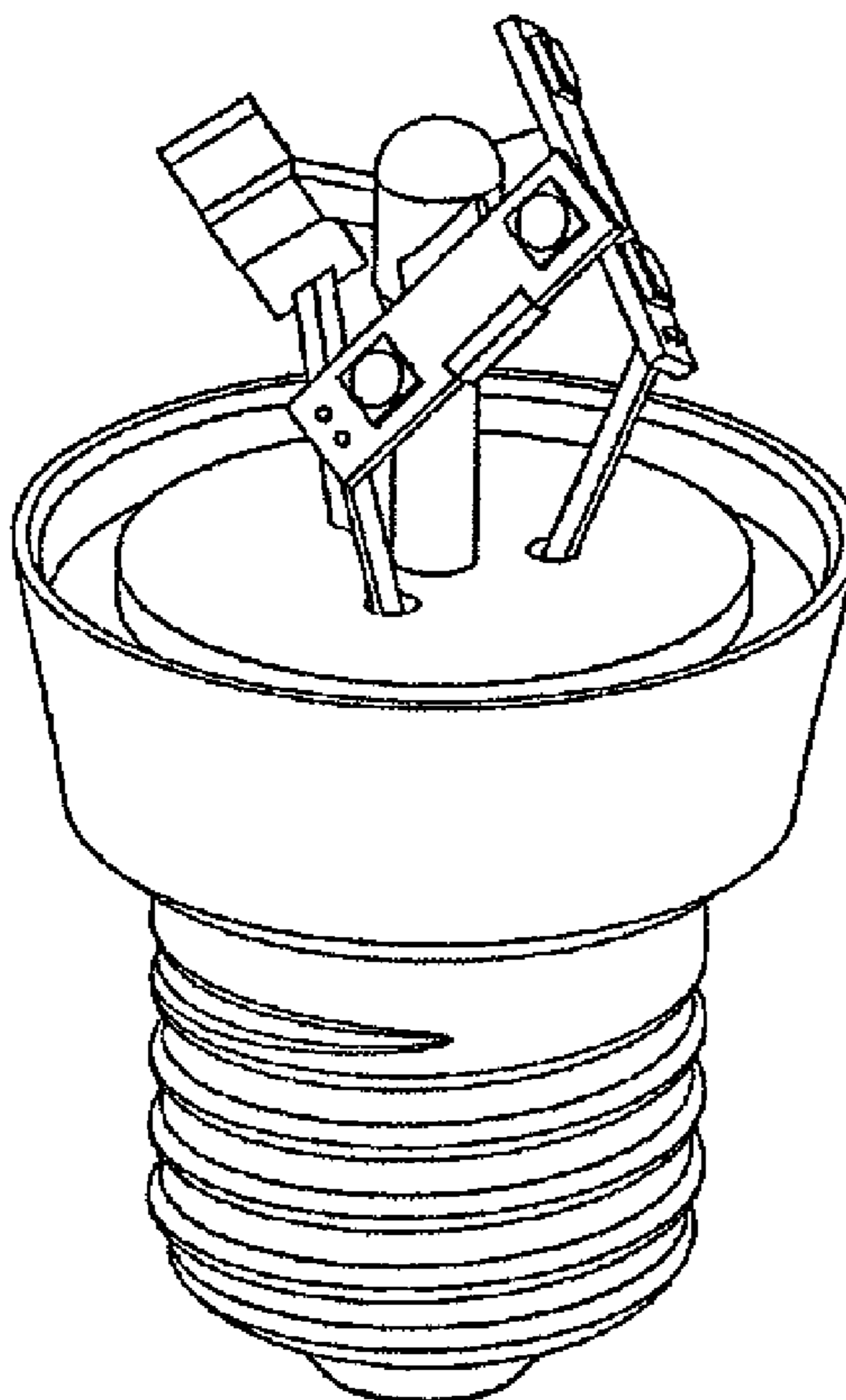
FIG. 5 is a right side elevational view thereof;

FIG. 6 is a top plan view thereof; and,

FIG. 7 is a bottom plan view thereof.

See application file for complete search history.

1 Claim, 1 Drawing Sheet



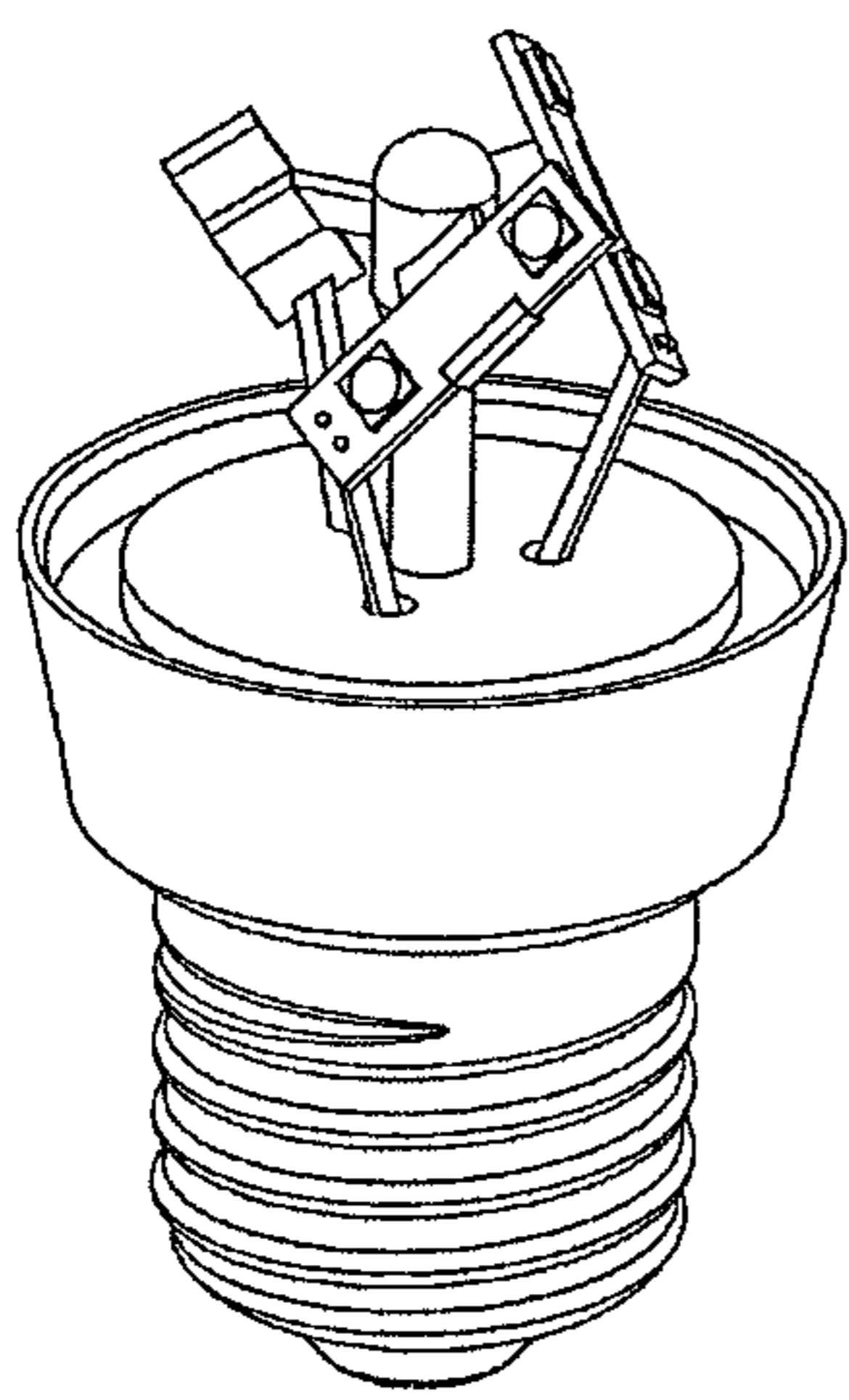


FIG. 1

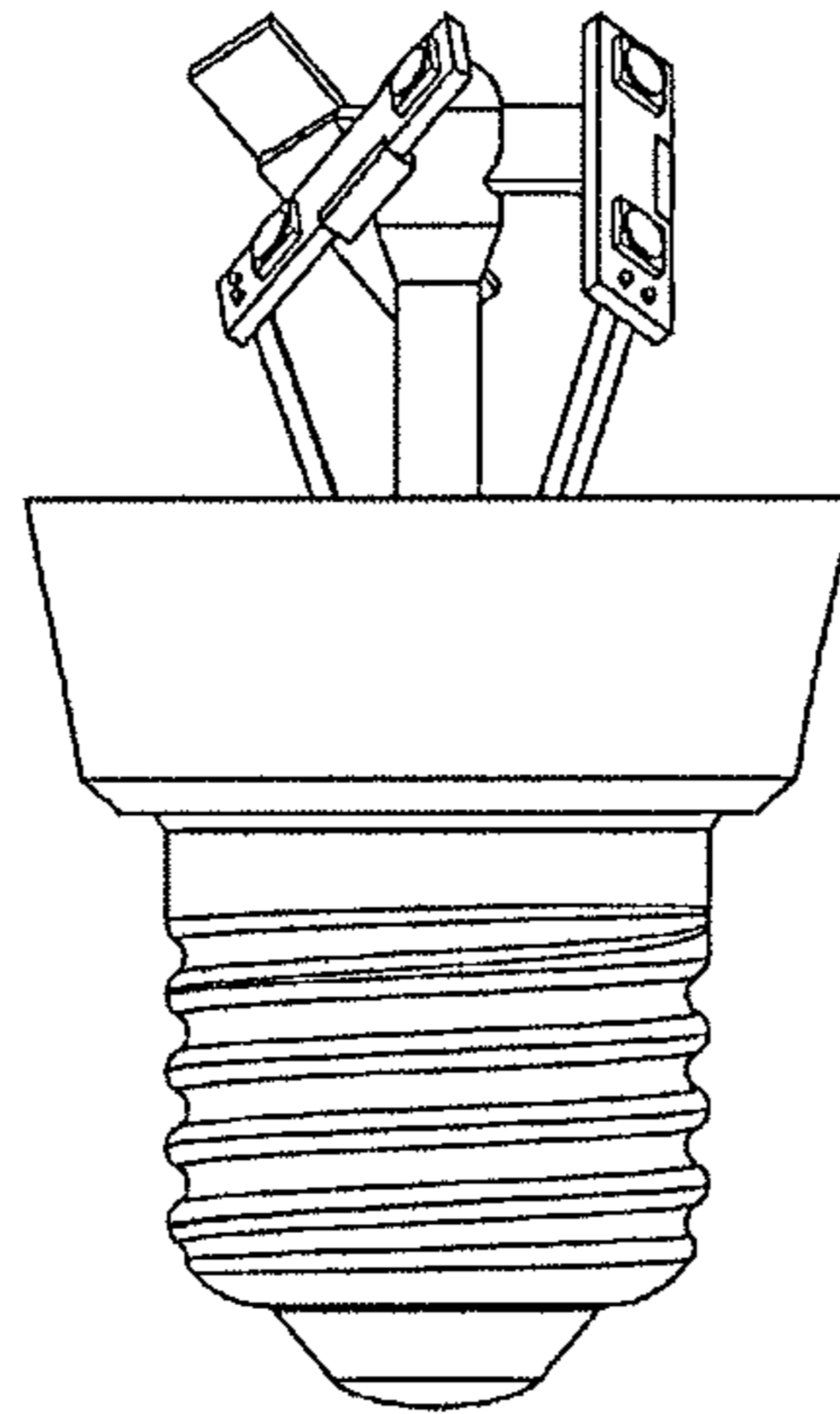


FIG. 2

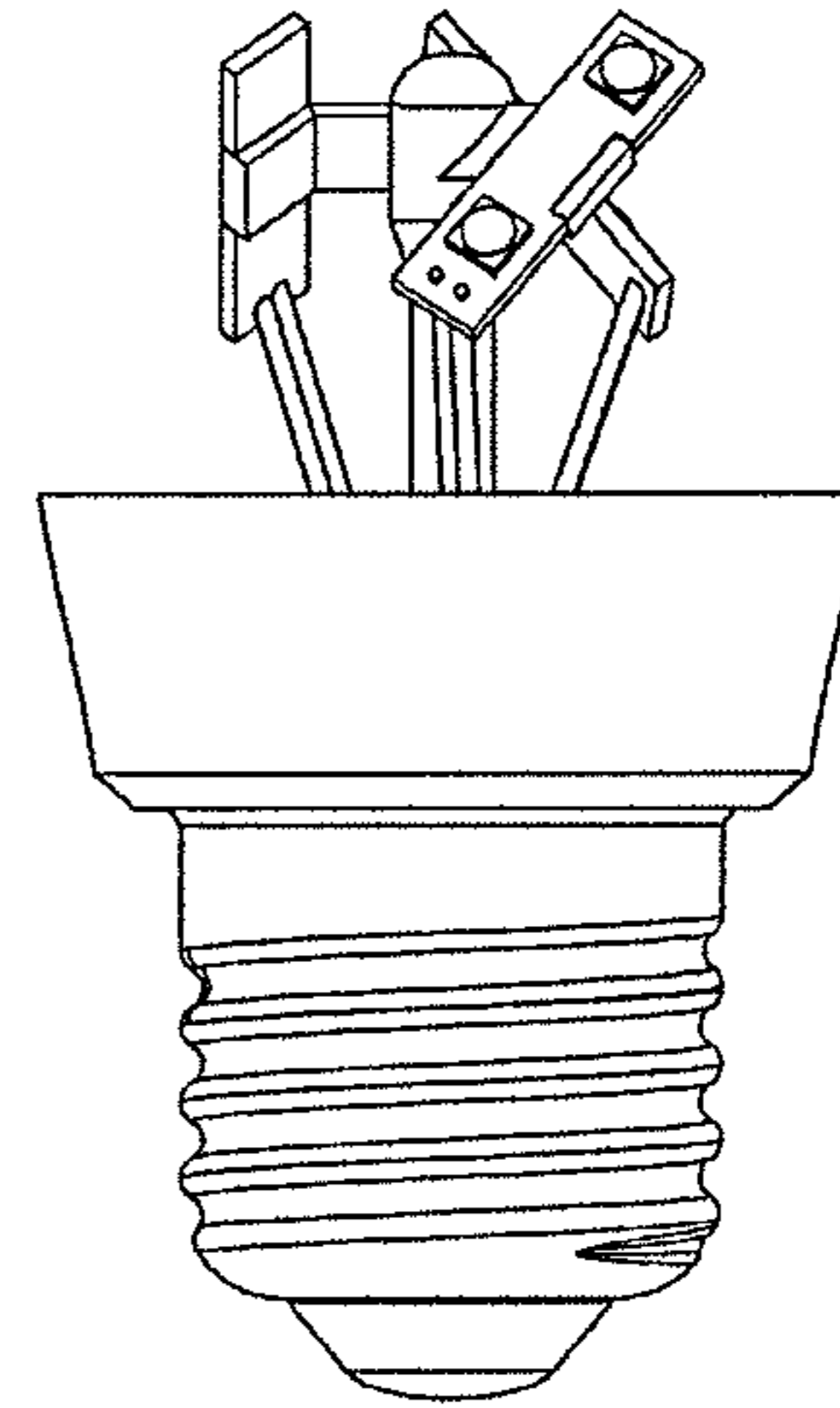


FIG. 3

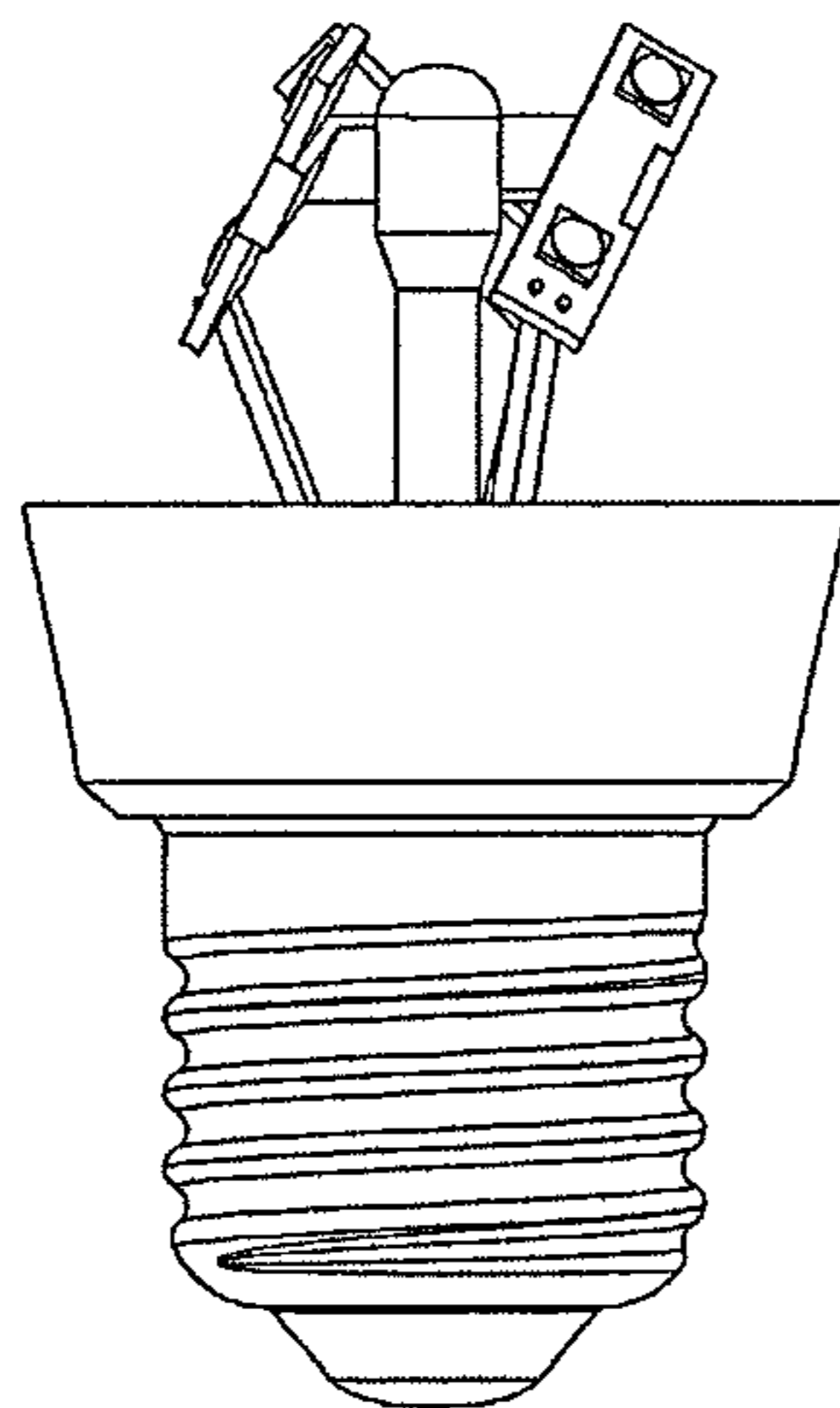


FIG. 4

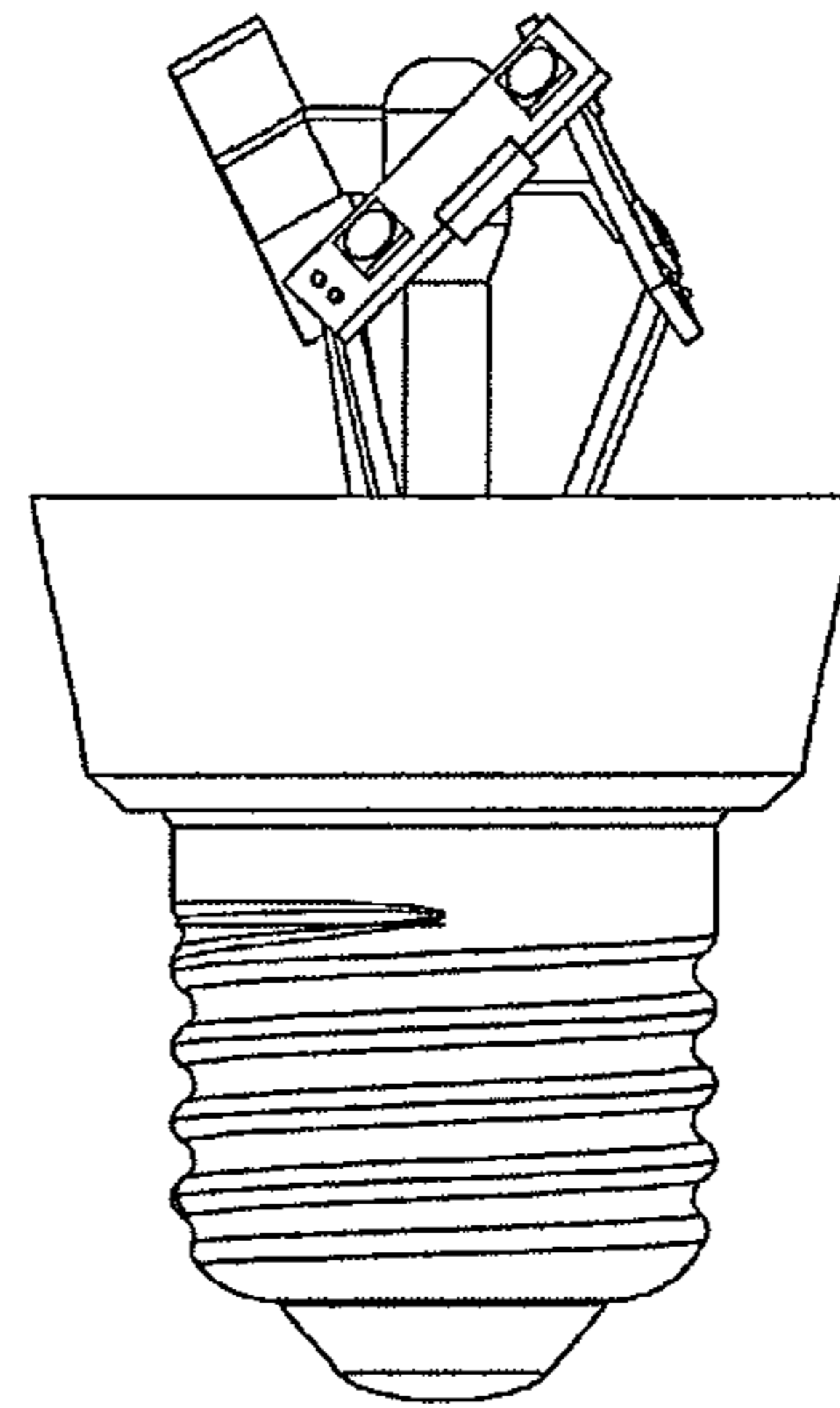


FIG. 5

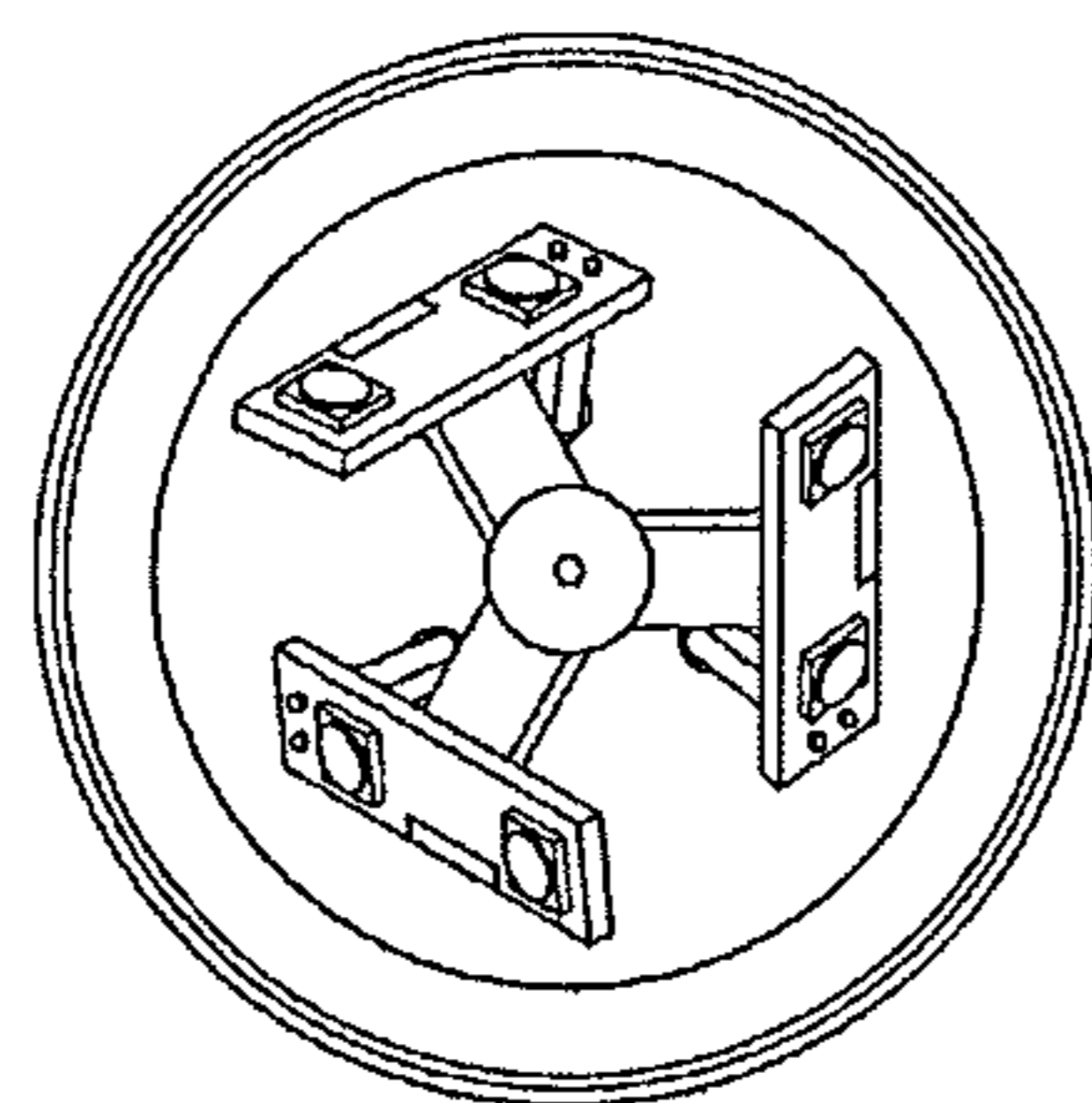


FIG. 6

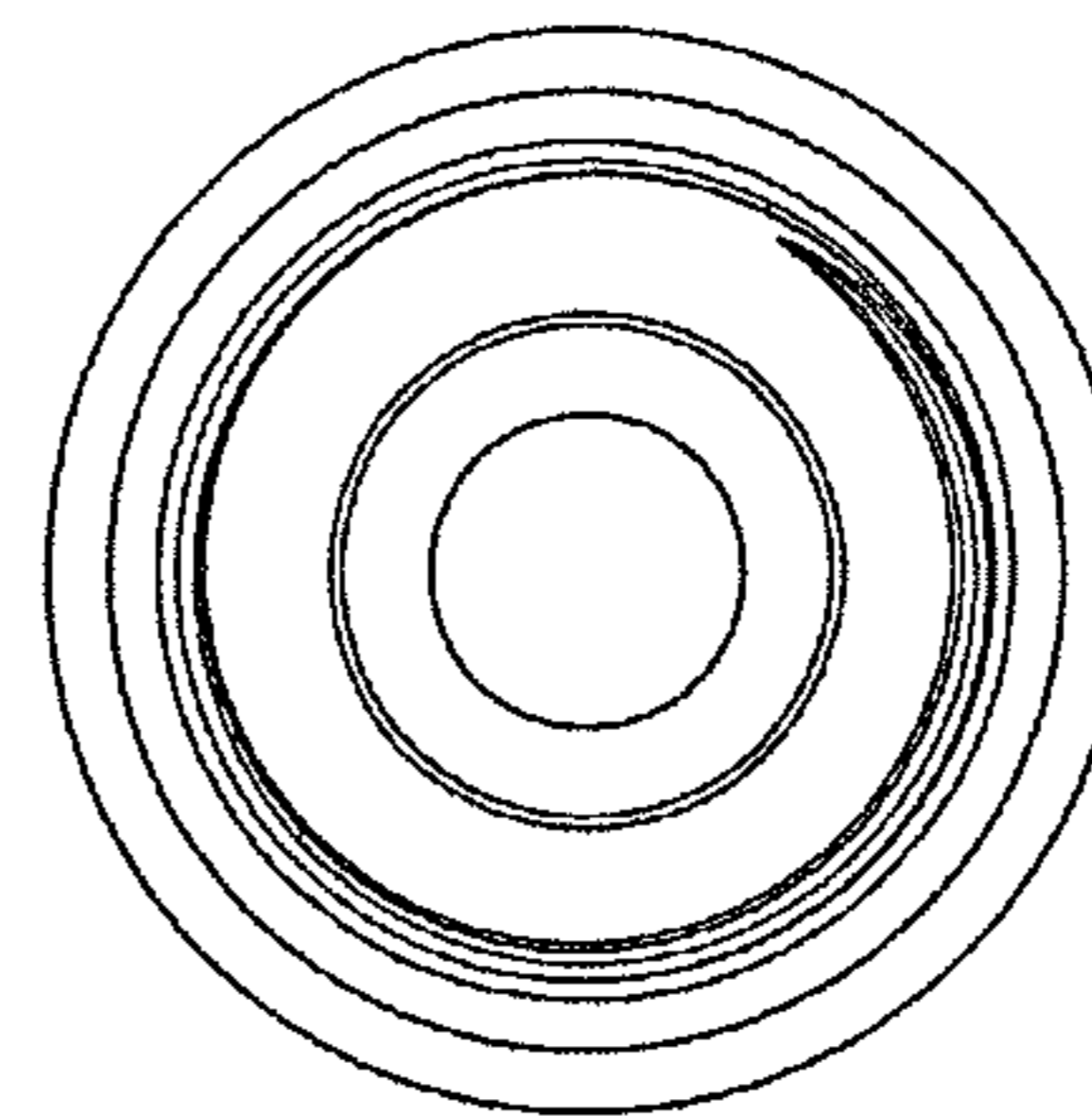


FIG. 7