



US00D689214S

(12) **United States Design Patent**  
**Chyan et al.**

(10) **Patent No.:** **US D689,214 S**

(45) **Date of Patent:** **\*\* Sep. 3, 2013**

(54) **LED LIGHT SOURCE**

(75) Inventors: **Yu-Hou Chyan**, Miao-Li (TW); **Bei-Bei Ji**, Shenzhen (CN); **Kuan-Hong Hsieh**, Miao-Li (TW); **Te-Sheng Chen**, Miao-Li (TW)

(73) Assignee: **Foxsemicon Integrated Technology, Inc.**, Chu-Nan, Miao-Li Hsien (TW)

(\*\*) Term: **14 Years**

(21) Appl. No.: **29/412,553**

(22) Filed: **Feb. 4, 2012**

(30) **Foreign Application Priority Data**

Dec. 28, 2011 (CN) ..... 2011 3 0502874

(51) **LOC (9) Cl.** ..... **26-04**

(52) **U.S. Cl.**  
USPC ..... **D26/2**

(58) **Field of Classification Search**  
USPC ..... D26/1-4; 313/313, 315, 316, 317, 313/318, 493; 315/52, 53, 56, 57, 58  
See application file for complete search history.

(56) **References Cited**

**U.S. PATENT DOCUMENTS**

D545,457 S \* 6/2007 Chen ..... D26/2  
D566,300 S \* 4/2008 Lo ..... D26/2

D571,489 S \* 6/2008 Opolka ..... D26/2  
D582,578 S \* 12/2008 Tsai et al. .... D26/2  
D584,428 S \* 1/2009 Li et al. .... D26/2  
D602,182 S \* 10/2009 Foo ..... D26/2  
D673,698 S \* 1/2013 Taylor et al. .... D26/2

\* cited by examiner

*Primary Examiner* — Marcus Jackson

(74) *Attorney, Agent, or Firm* — Altis Law Group, Inc.

(57) **CLAIM**

The ornamental design for an LED light source, as shown and described.

**DESCRIPTION**

FIG. 1 is a perspective view of an LED light source showing our new design;

FIG. 2 is a front elevational view thereof;

FIG. 3 is a top plan view thereof;

FIG. 4 is a bottom plan view thereof;

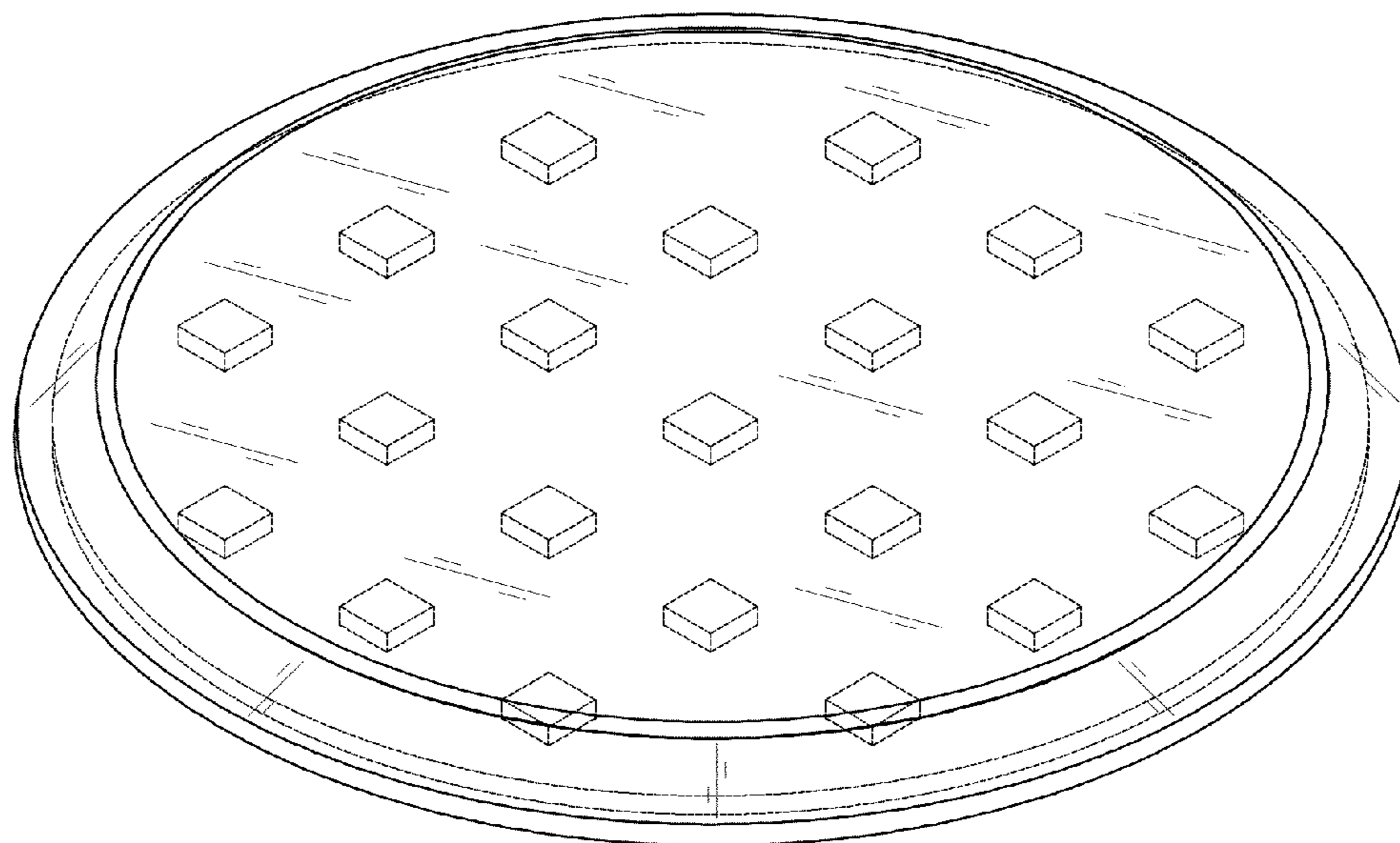
FIG. 5 is a reference perspective view showing a state that the LED light source of FIG. 1 is used with a socket; and,

FIG. 6 is another reference perspective view showing a state that the LED light source of FIG. 1 is used with another socket.

The rear, the left side and the right side of the design are identical to the front, respectively, and are omitted from the drawings for brevity.

The broken lines in the drawings are employed for illustrative purposes only and form no part of the claimed design.

**1 Claim, 6 Drawing Sheets**



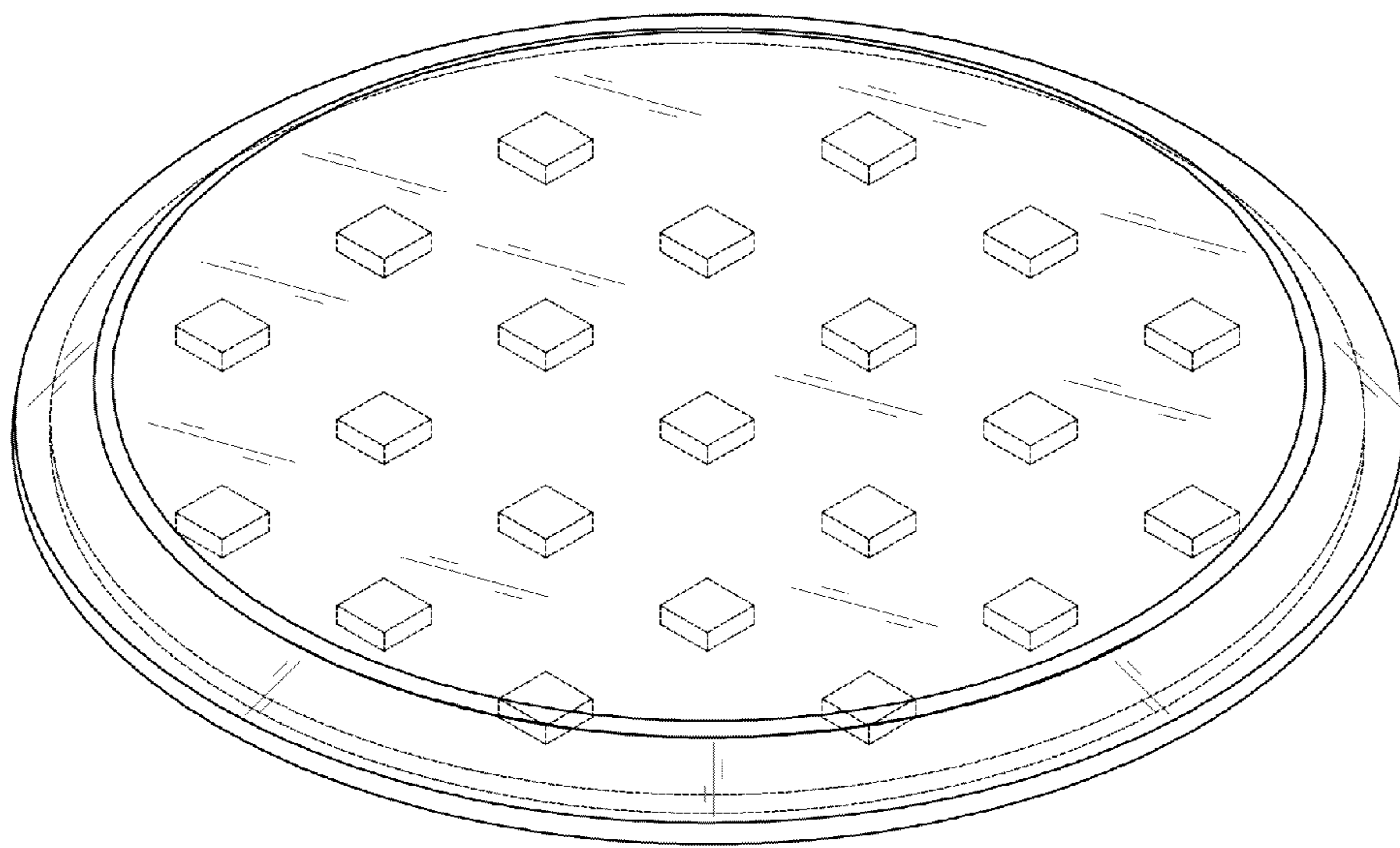


FIG. 1

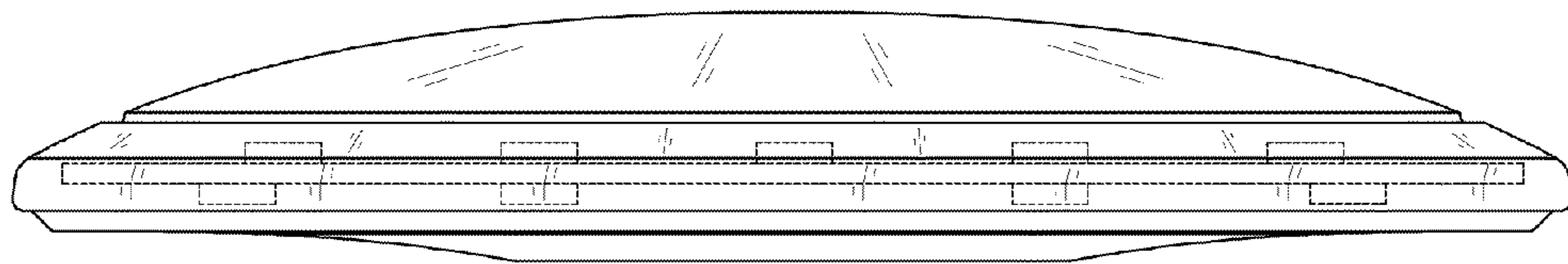


FIG. 2

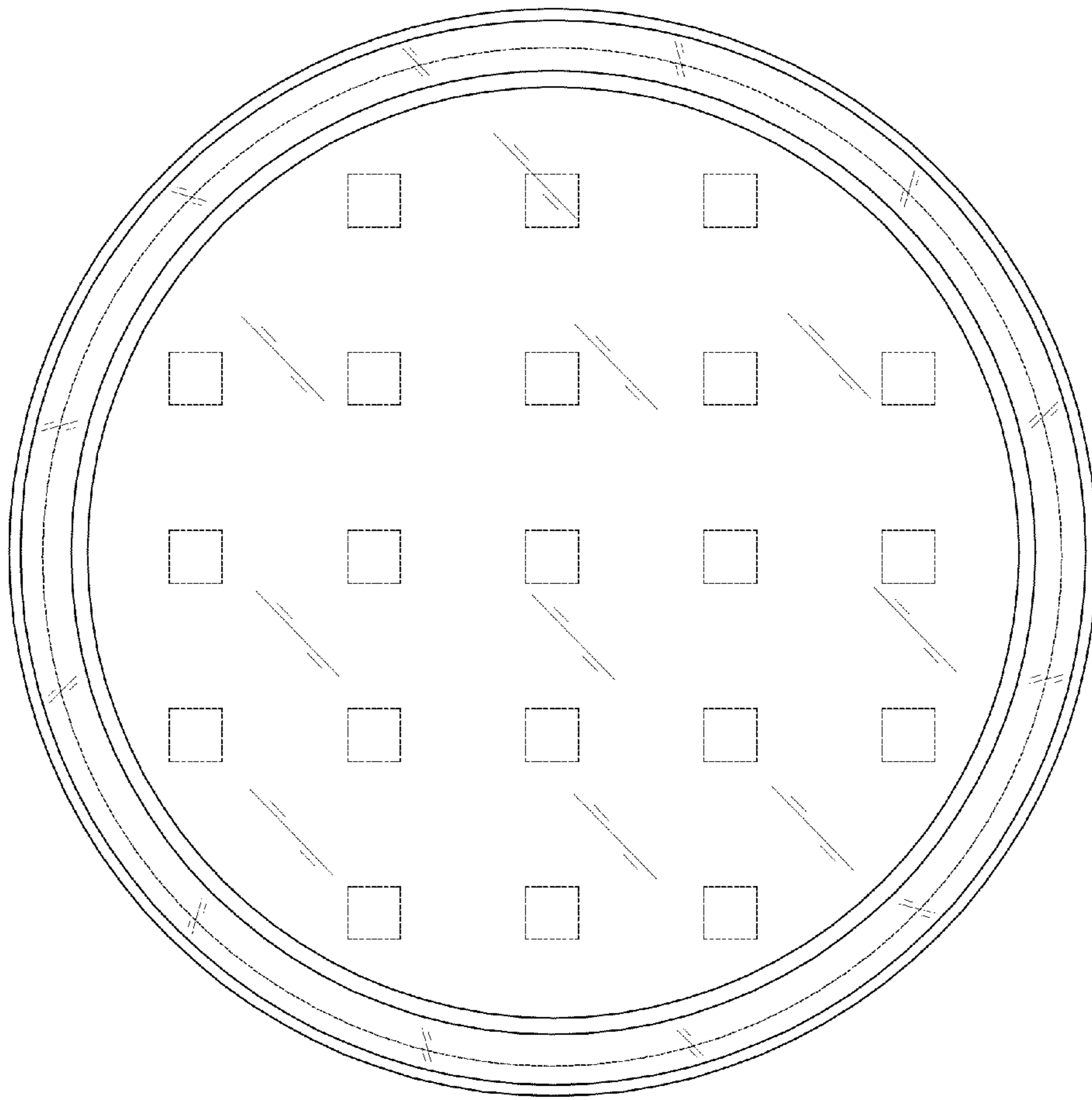


FIG. 3

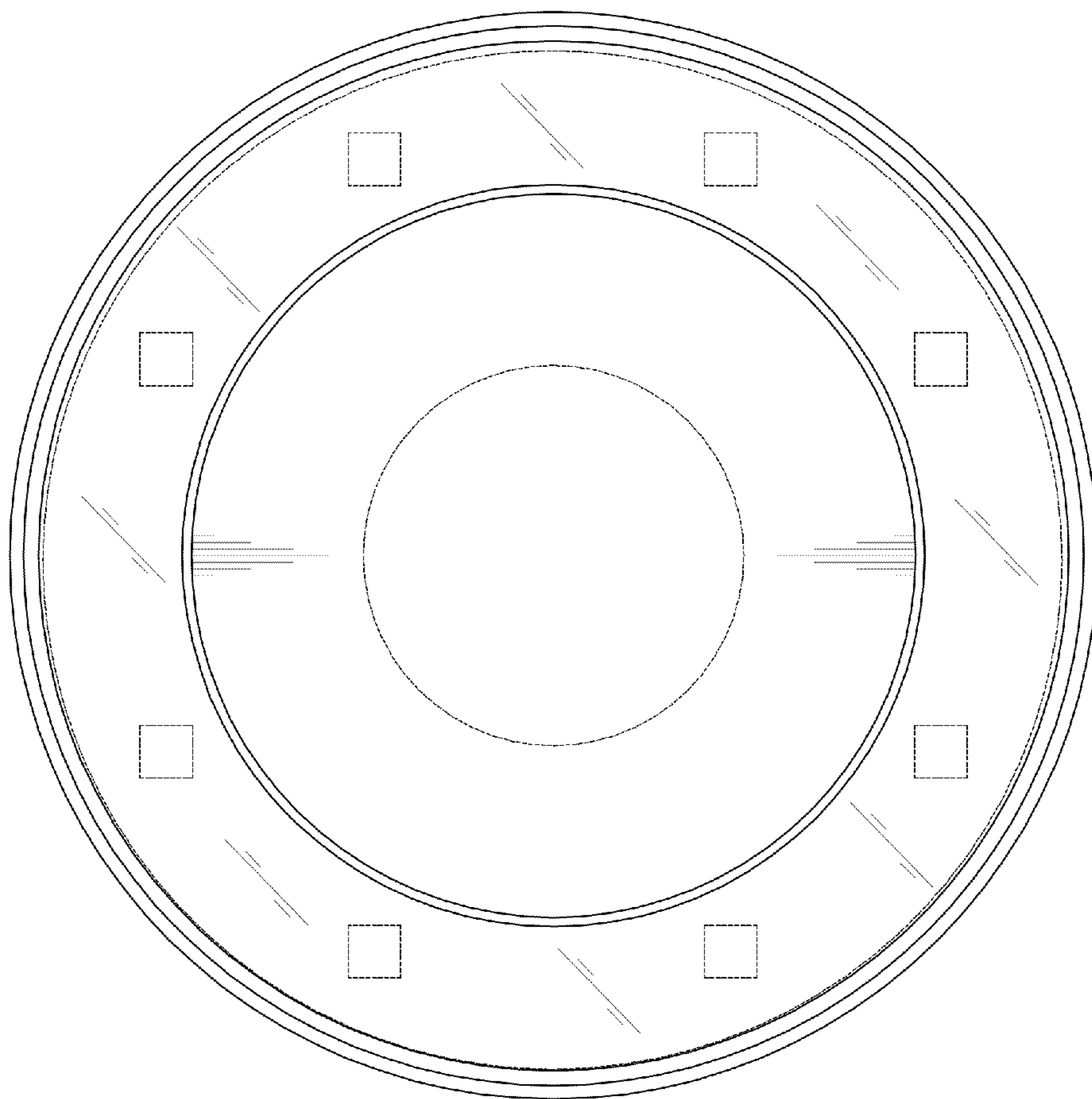


FIG. 4

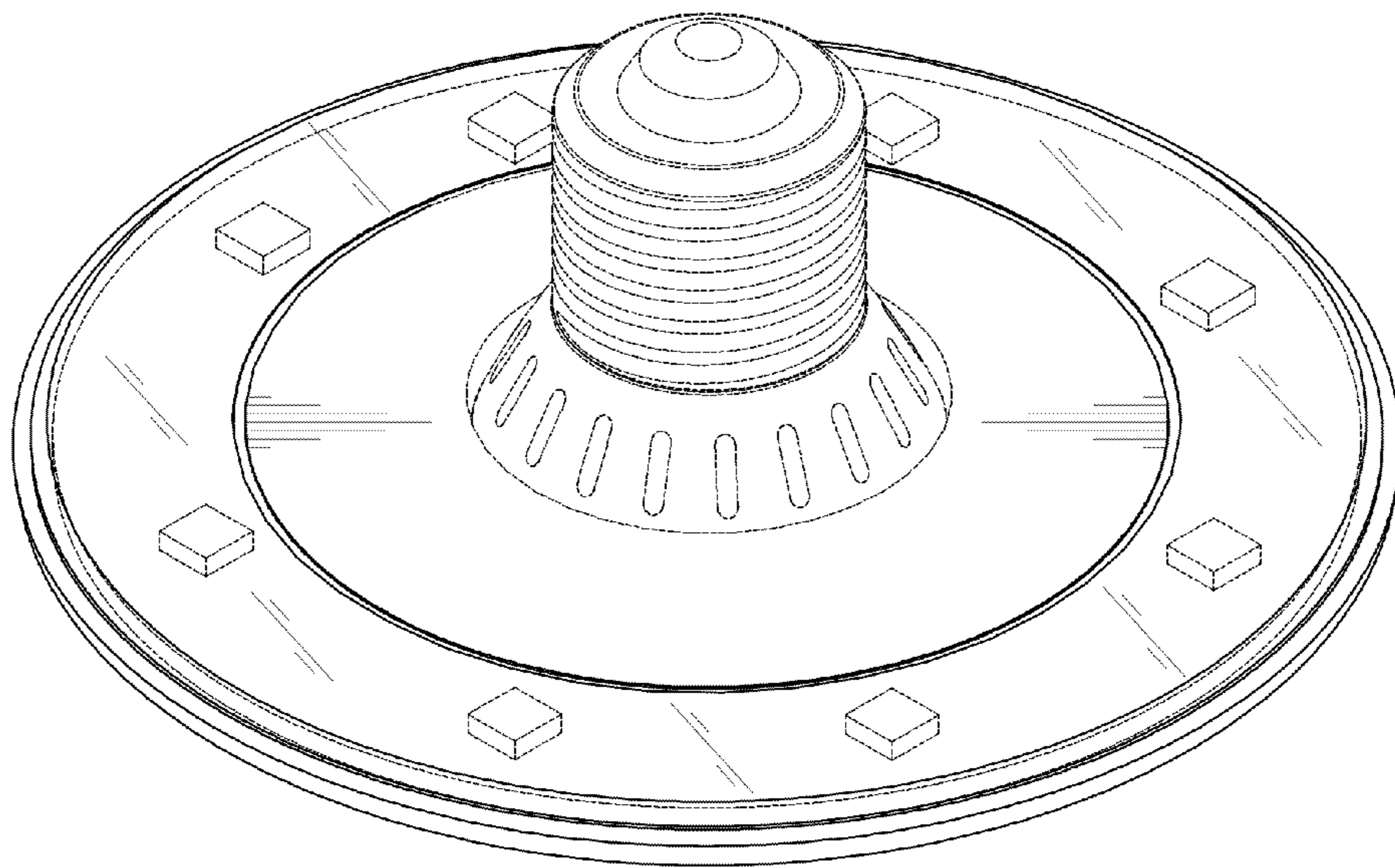


FIG. 5

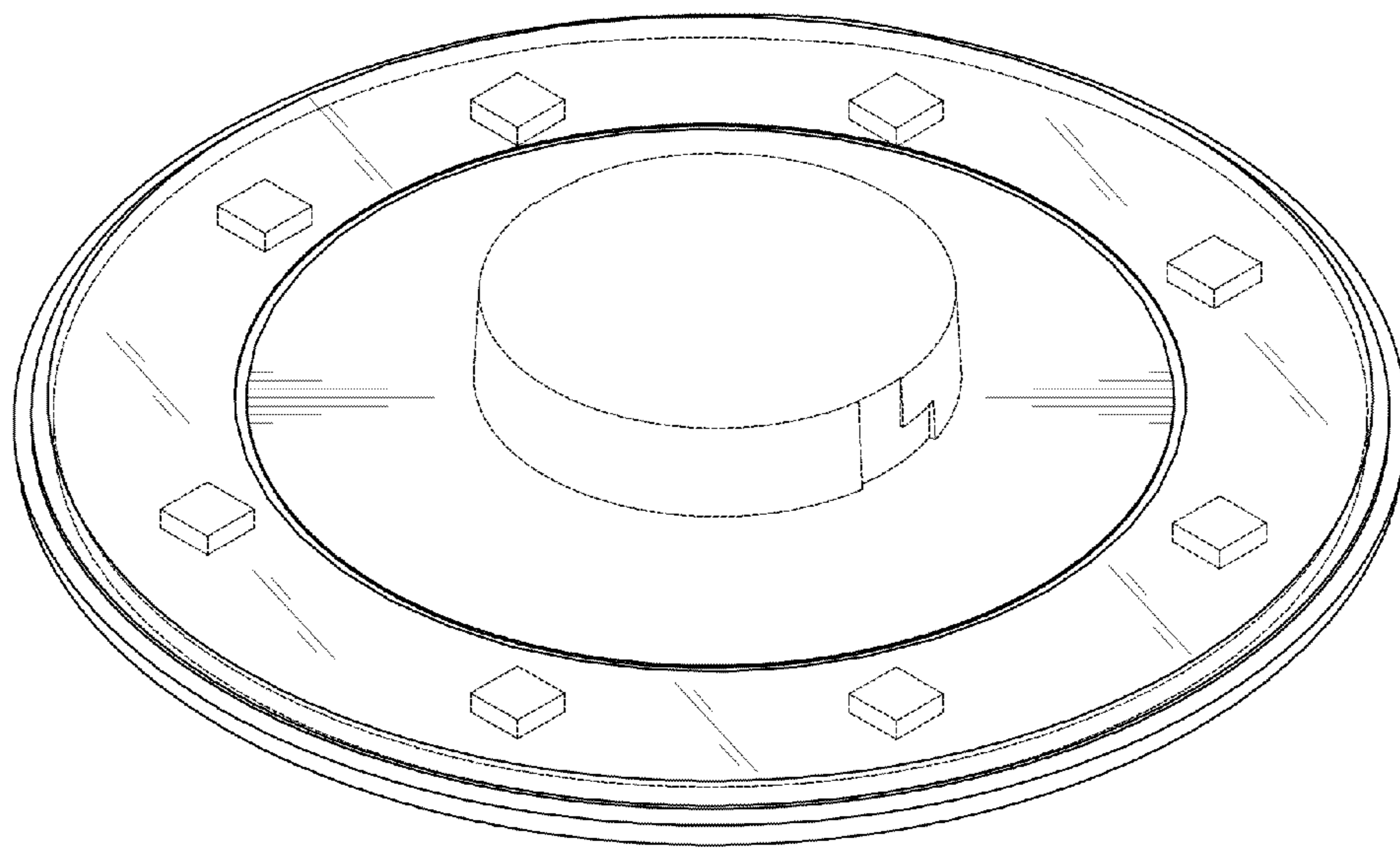


FIG. 6