



US00D689208S

(12) **United States Design Patent**
Crocker

(10) **Patent No.:** **US D689,208 S**

(45) **Date of Patent:** **** Sep. 3, 2013**

(54) **SWIMMING POOL COPING**

6,675,402 B1 * 1/2004 Maurer 4/506

* cited by examiner

(75) Inventor: **Howard Crocker**, Brantford (CA)

Primary Examiner — Doris Clark

(73) Assignee: **2214099 Ontario Ltd.**, Brantford,
Ontario (CA)

(57) **CLAIM**

The ornamental design for swimming pool coping, as shown and described.

(**) Term: **14 Years**

DESCRIPTION

(21) Appl. No.: **29/415,902**

FIG. 1 is a perspective view of the coping according to the present invention.

(22) Filed: **Mar. 15, 2012**

FIG. 2 is a bottom view of the coping according to the present invention.

(51) **LOC (9) Cl.** **25-01**

FIG. 3 is a top view of the coping according to the present invention.

(52) **U.S. Cl.**

USPC **D25/199; D25/125; D25/164**

FIG. 4 is a left side view of the coping according to the present invention.

(58) **Field of Classification Search**

USPC **D25/164, 199, 125; 4/506, 488**

See application file for complete search history.

FIG. 5 is a right side view of the coping according to the present invention.

(56) **References Cited**

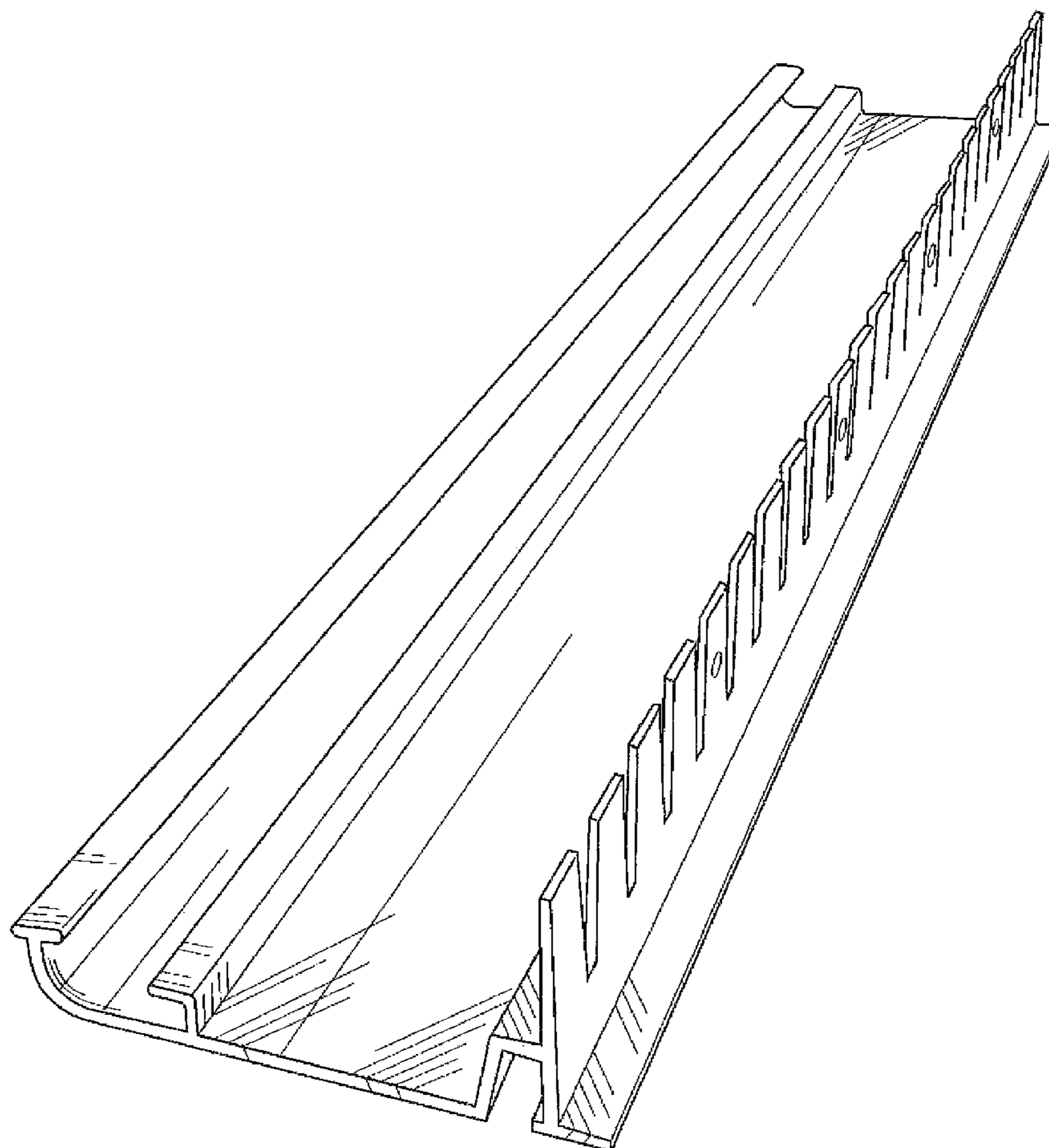
FIG. 6 is a front view of the coping according to the present invention; and,

U.S. PATENT DOCUMENTS

D249,164 S * 8/1978 Grant D25/199
D258,537 S * 3/1981 Cribben et al. D25/125
5,107,551 A * 4/1992 Weir et al. 4/496

FIG. 7 is a back view of the coping according to the present invention.

1 Claim, 5 Drawing Sheets



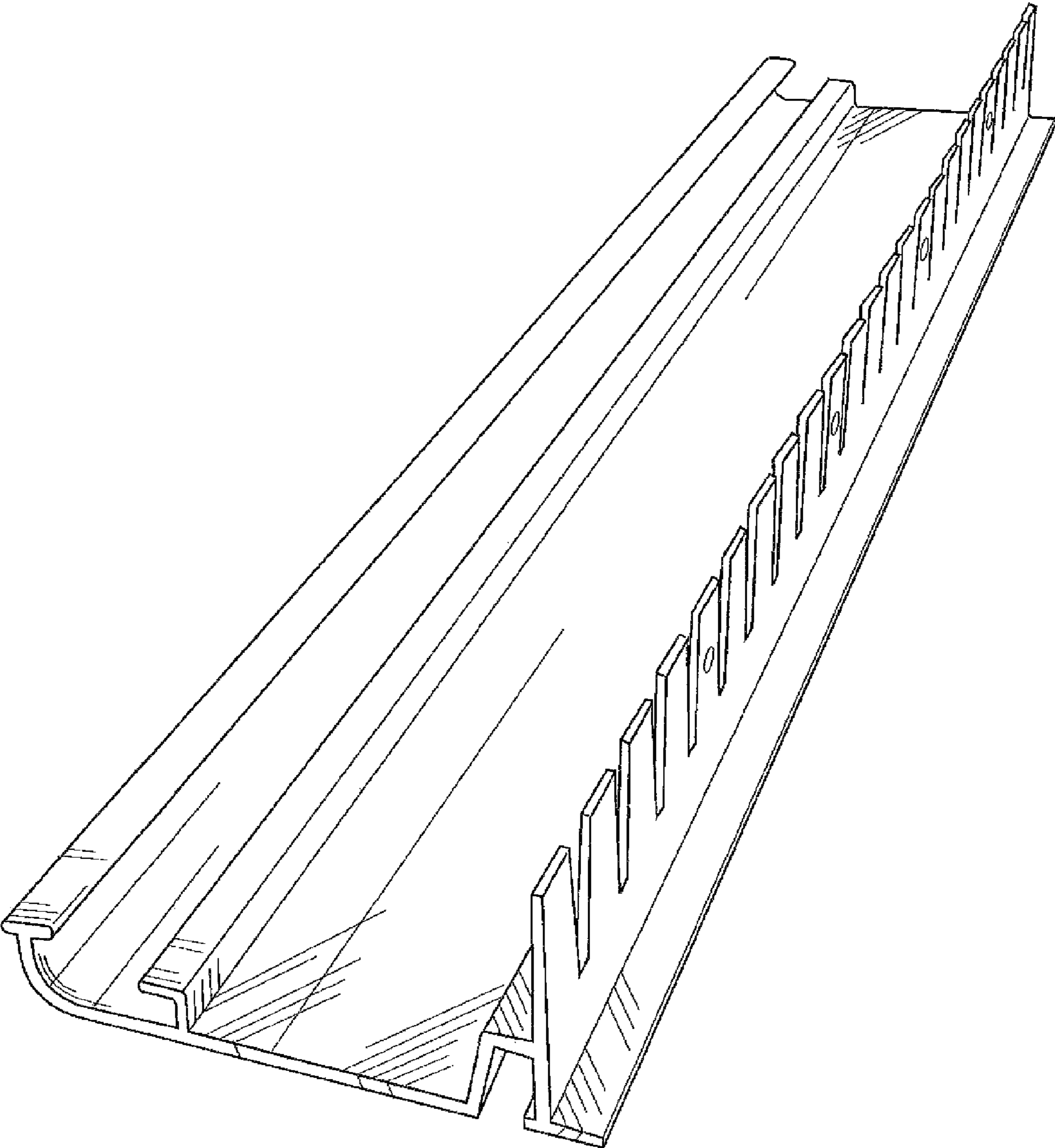


Figure 1

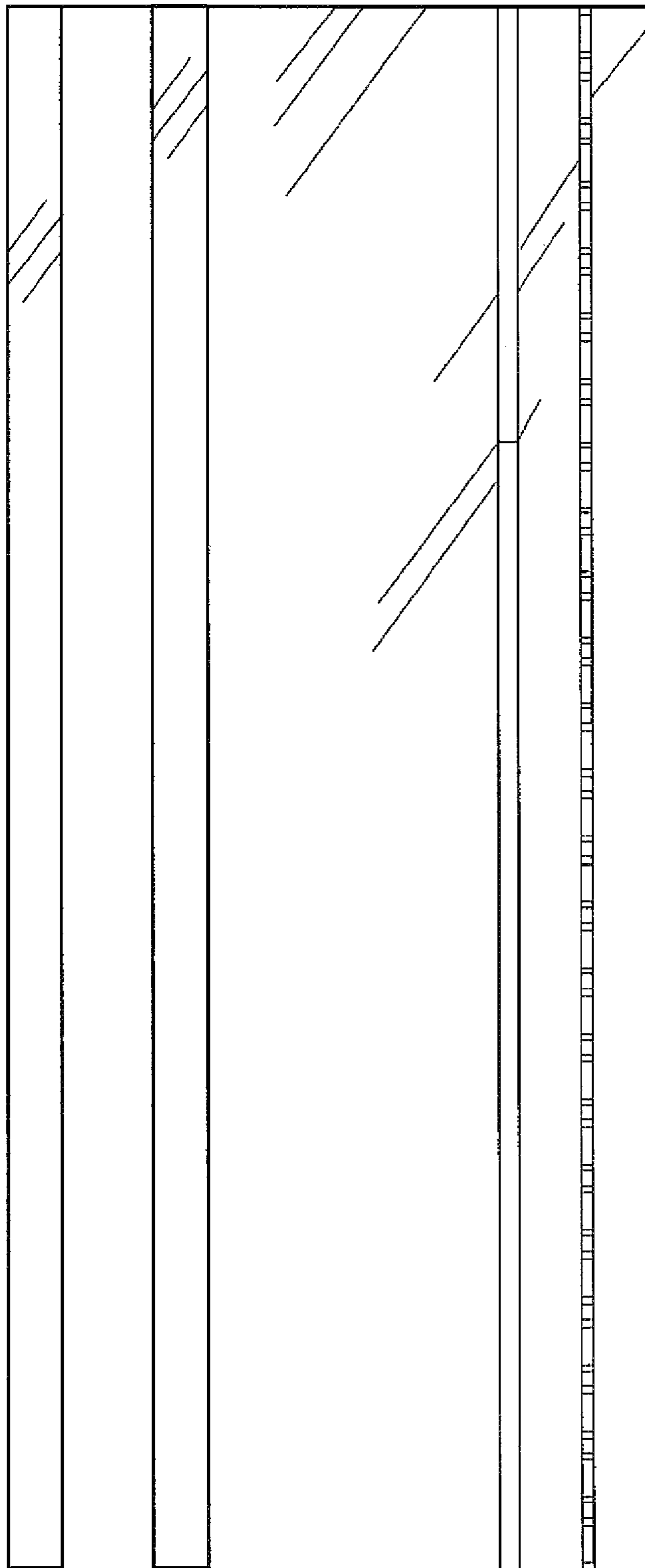


Figure 2

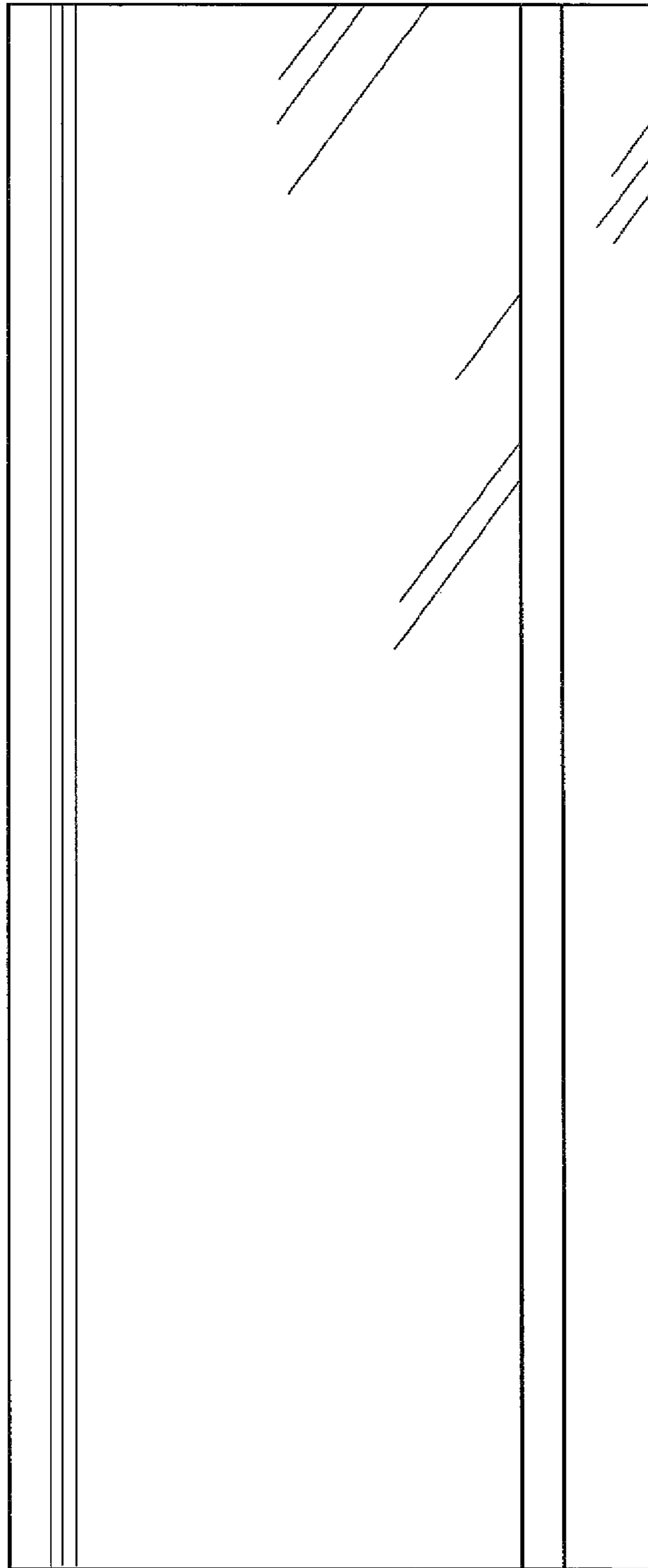


Figure 3

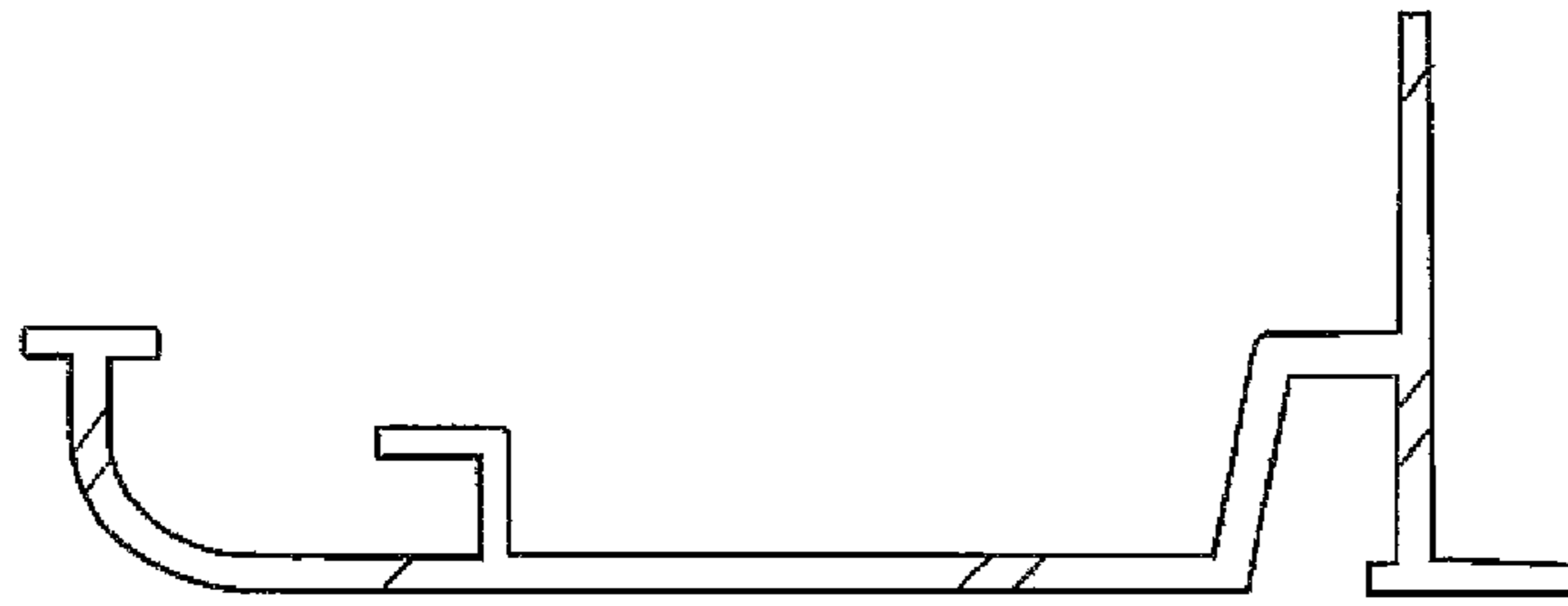


Figure 4



Figure 5

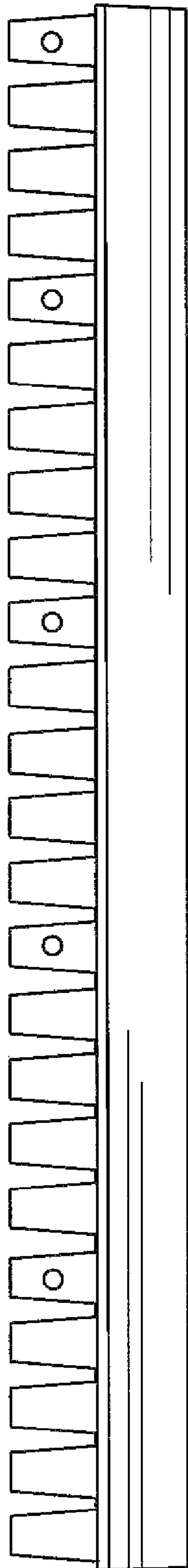


Figure 6

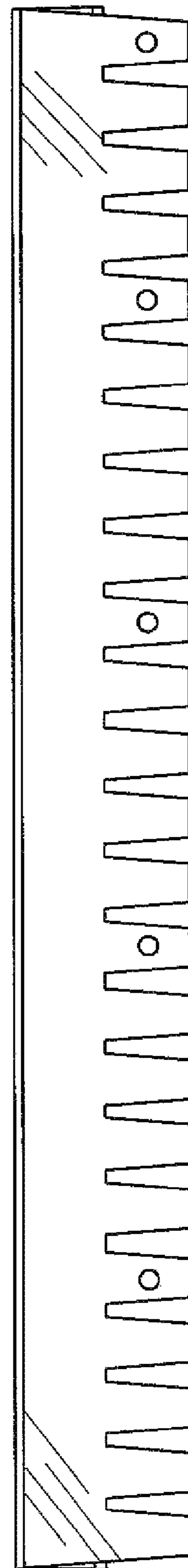


Figure 7