



US00D689207S

(12) **United States Design Patent**
Benet

(10) **Patent No.:** **US D689,207 S**

(45) **Date of Patent:** **** Sep. 3, 2013**

(54) **FOUNDATION SUPPORT**

(76) Inventor: **Russell E. Benet**, Colorado Springs, CO (US)

(**) Term: **14 Years**

(21) Appl. No.: **29/414,037**

(22) Filed: **Feb. 23, 2012**

(51) **LOC (9) Cl.** **25-01**

(52) **U.S. Cl.**

USPC **D25/133**

(58) **Field of Classification Search**

USPC D25/133; 52/146, 721.5; 405/202, 405/204, 224, 231, 244, 229, 272, 302.4

See application file for complete search history.

(56) **References Cited**

U.S. PATENT DOCUMENTS

835,884	A	11/1906	Gray	
1,547,175	A	7/1925	Lally	
2,664,977	A	1/1954	Starceovich	
4,107,889	A	8/1978	Gonsalves et al.	
4,699,703	A	10/1987	Norman	
4,754,588	A	7/1988	Gregory	
5,531,544	A	7/1996	Willcox, II	
7,094,003	B2 *	8/2006	Faires et al.	405/230
7,454,871	B2	11/2008	Sproules	
7,563,056	B2	7/2009	Gambill	
D610,717	S *	2/2010	Lin	D25/133
2008/0304919	A1	12/2008	Coyle	

FOREIGN PATENT DOCUMENTS

WO WO2008039225 A2 4/2008

* cited by examiner

Primary Examiner — Doris Clark

(74) *Attorney, Agent, or Firm* — Aileen Law; Oppedahl Patent Law Firm LLC

(57) **CLAIM**

The ornamental design for a foundation support, as shown and described.

DESCRIPTION

FIG. 1 is a top, front and right perspective view of my new design for a foundation support;

FIG. 2 is a front elevational view of FIG. 1;

FIG. 3 is a back elevational view of FIG. 1;

FIG. 4 is a right side elevational view of FIG. 1, a left side elevational view being identical.

FIG. 5 is a top plan view thereof;

FIG. 6 is a bottom plan view thereof.

FIG. 7 is a top, front and right perspective view of another embodiment of a foundation support;

FIG. 8 is a front elevational view of FIG. 7;

FIG. 9 is a back elevational view thereof;

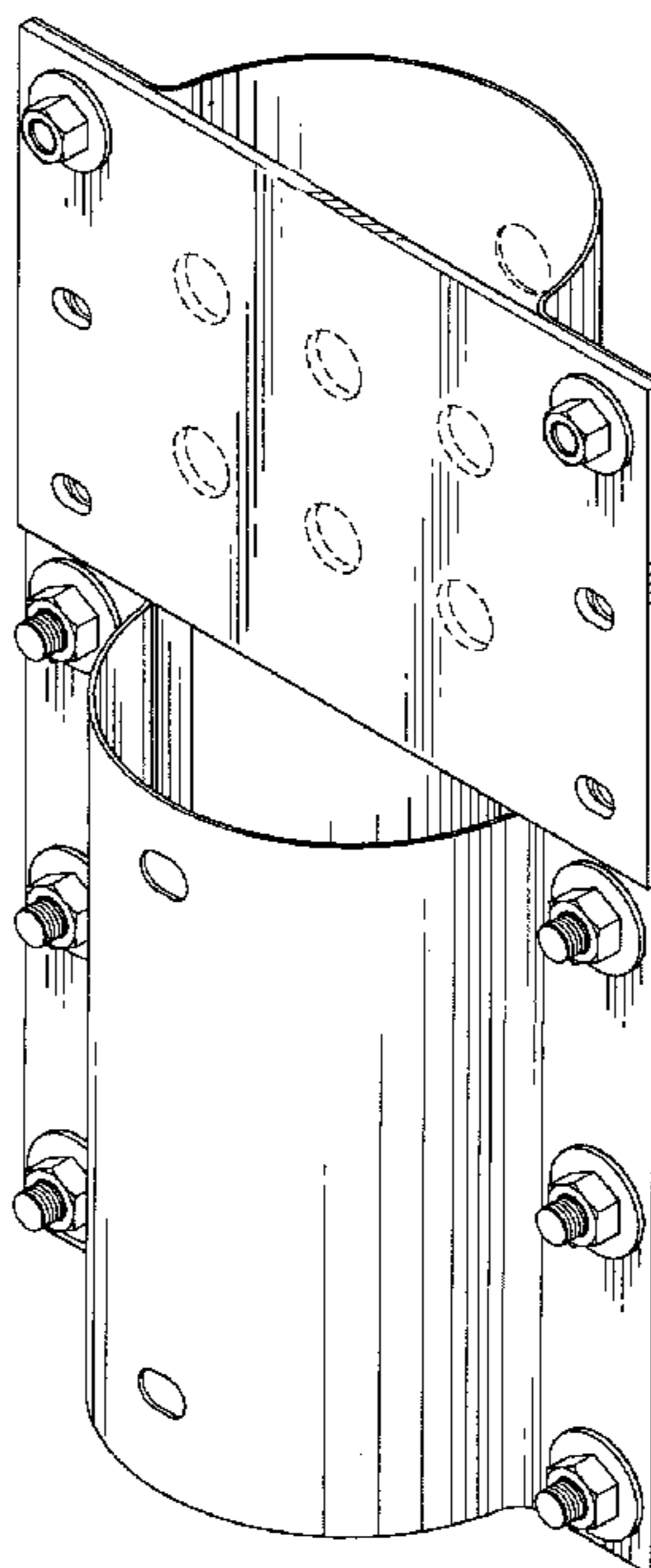
FIG. 10 is a right side elevational view of FIG. 1, a left side elevational view being identical.

FIG. 11 is a top plan view thereof; and,

FIG. 12 is a bottom plan view thereof.

The broken lines shown in the drawings illustrate environment and form no part of the claimed design.

1 Claim, 4 Drawing Sheets



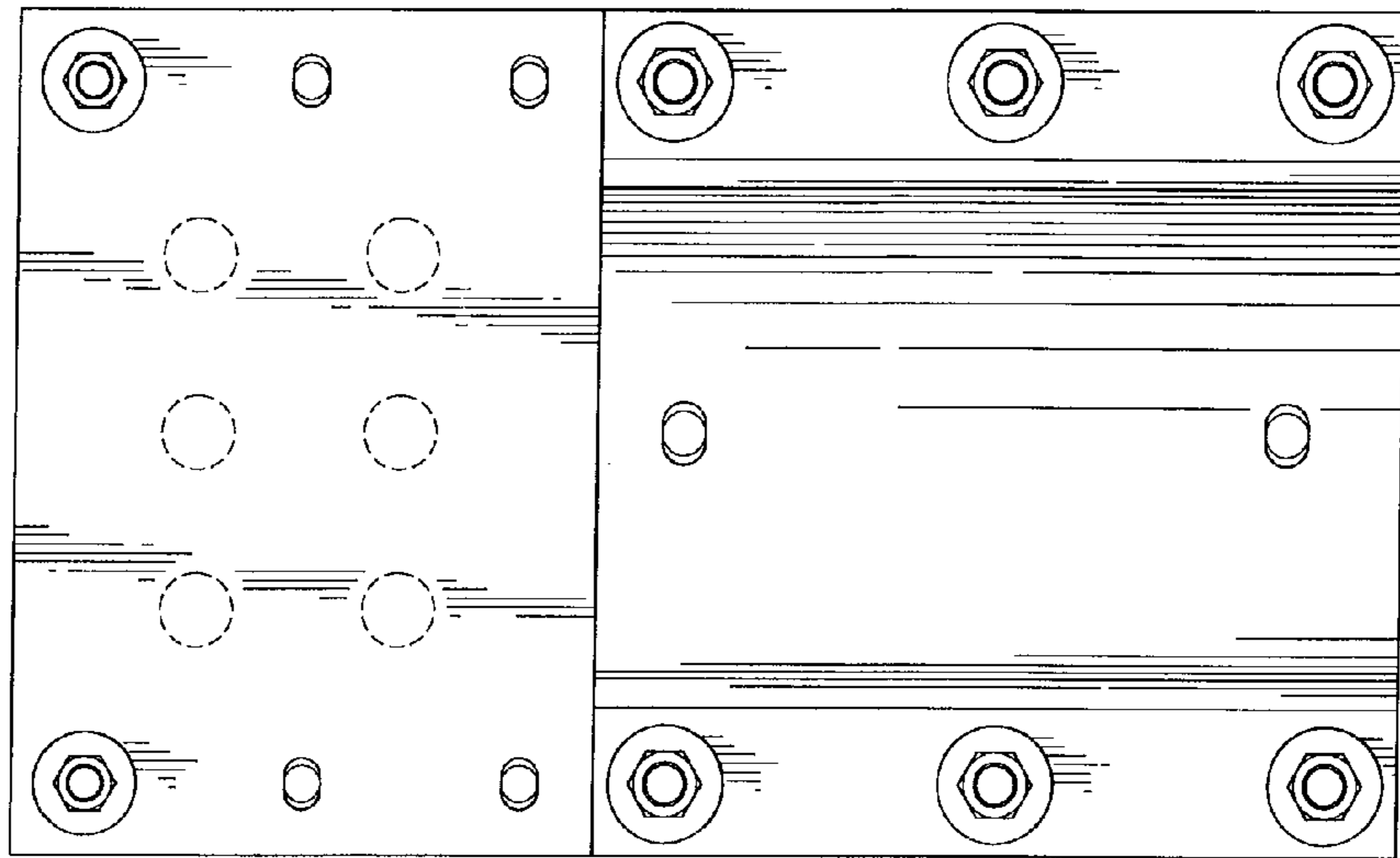


FIG. 2

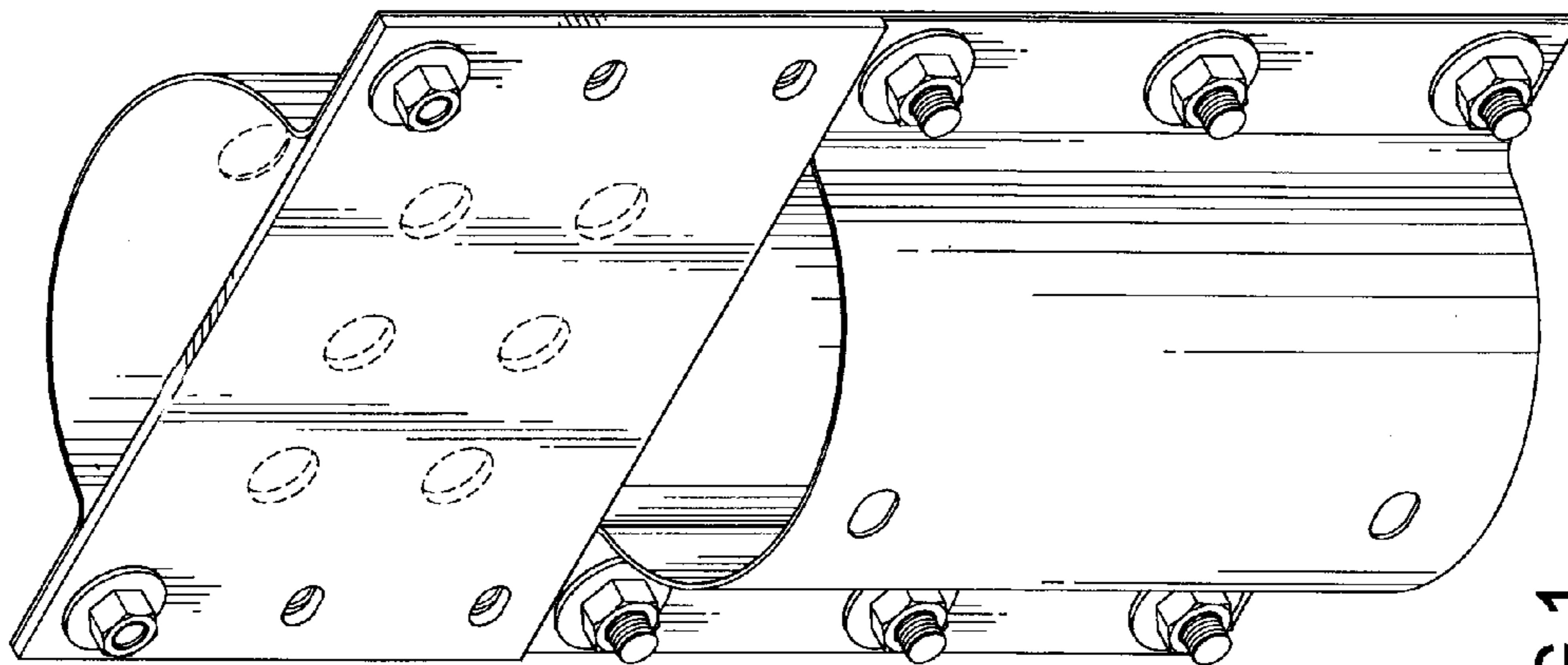


FIG. 1

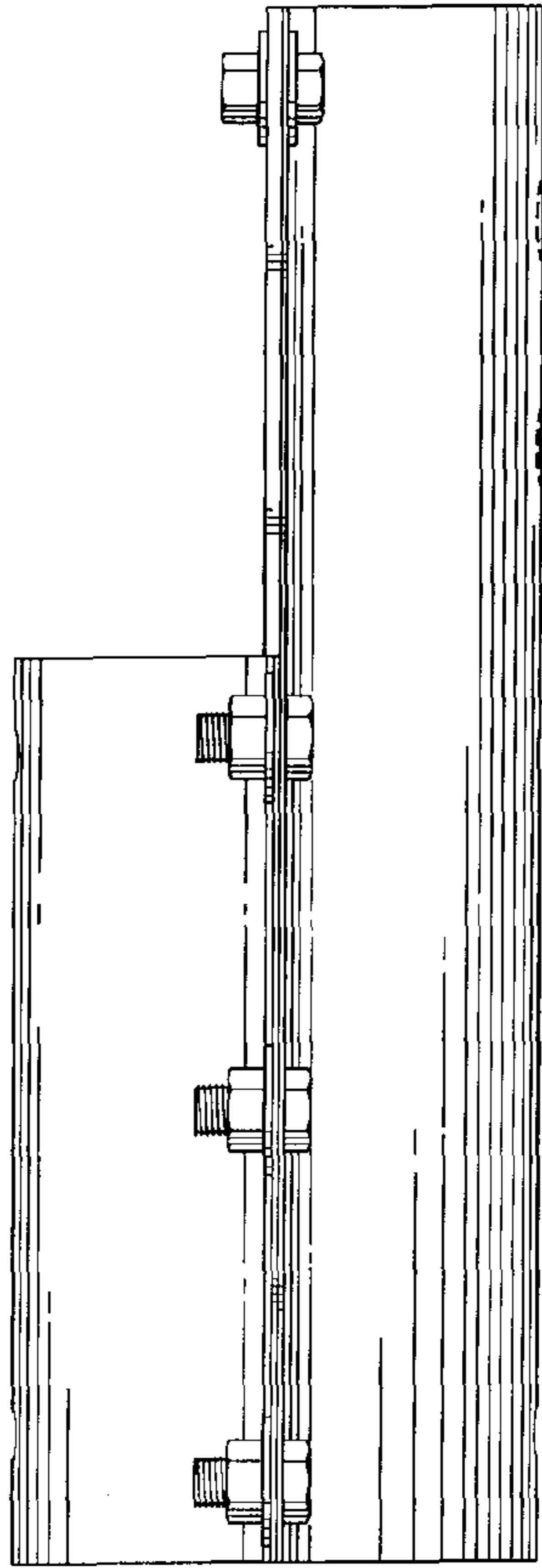


FIG. 4

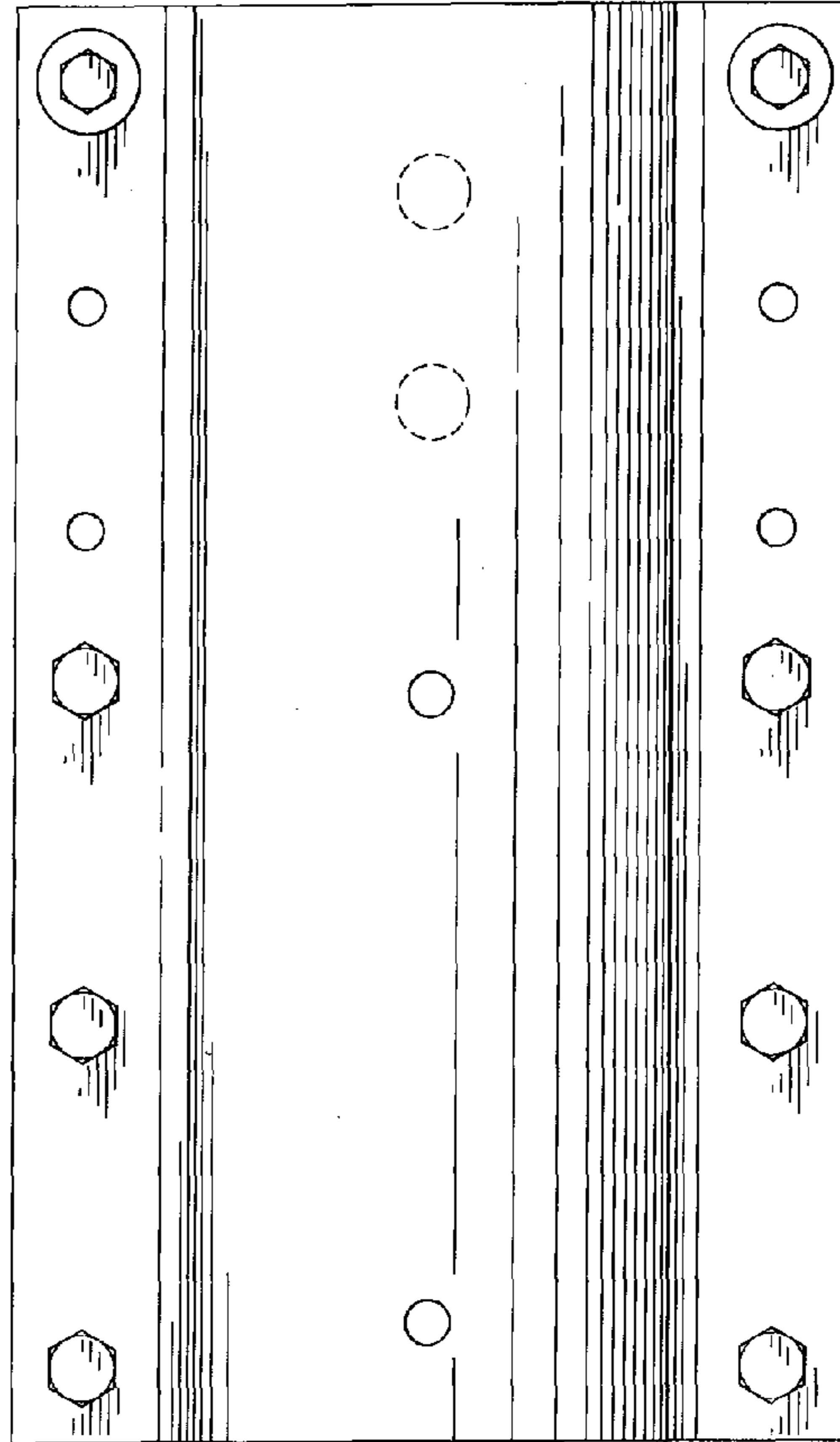


FIG. 3

FIG. 5

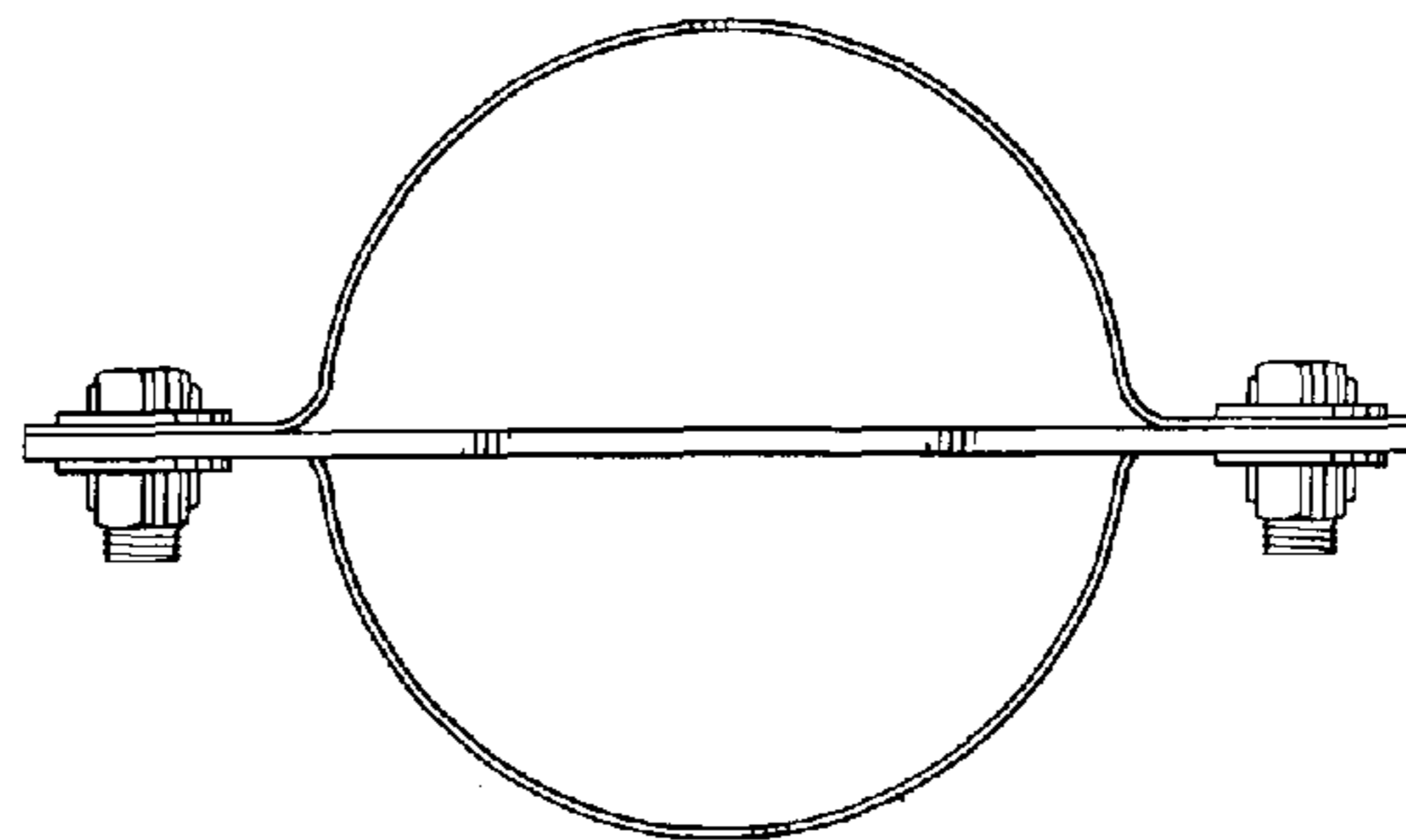
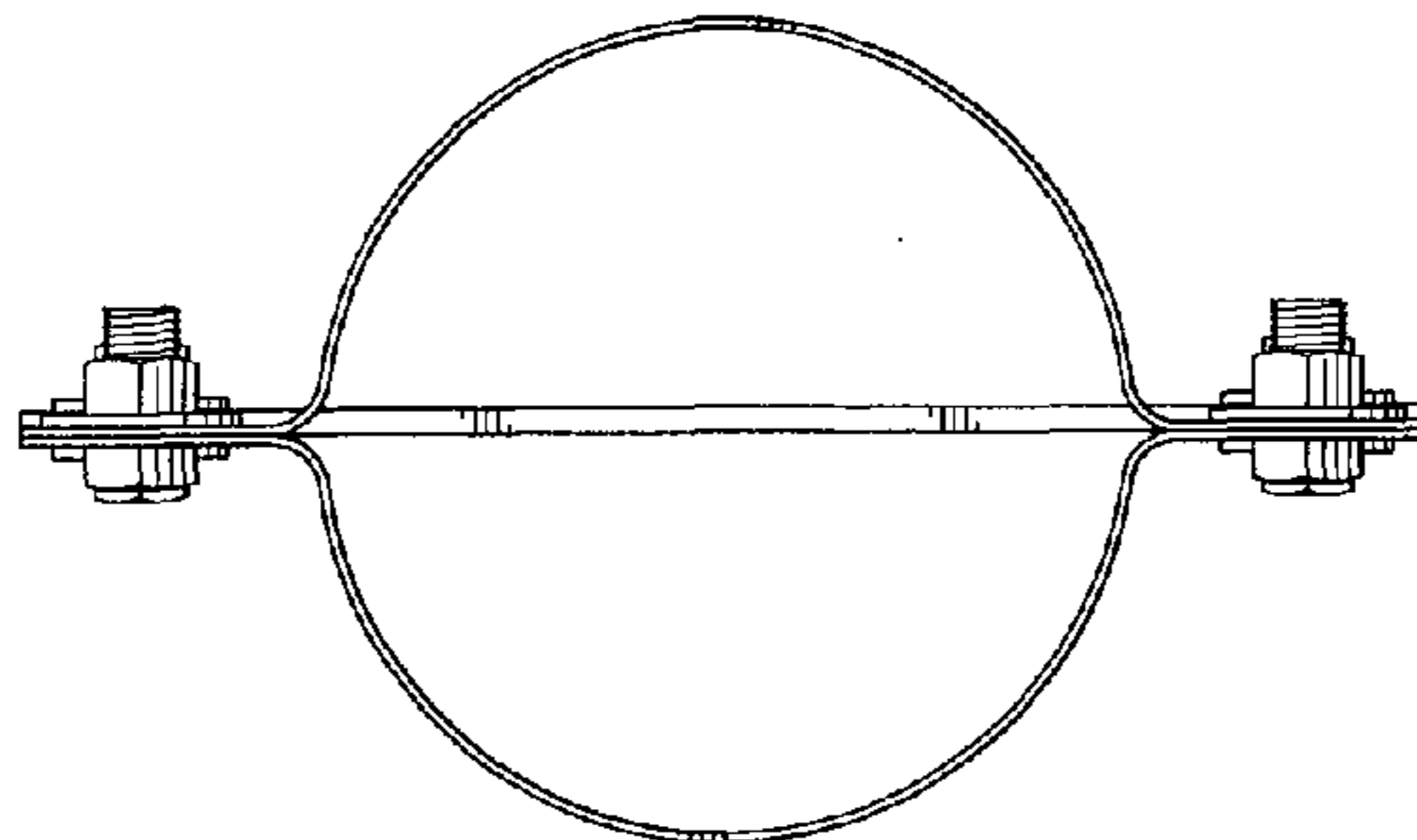


FIG. 6



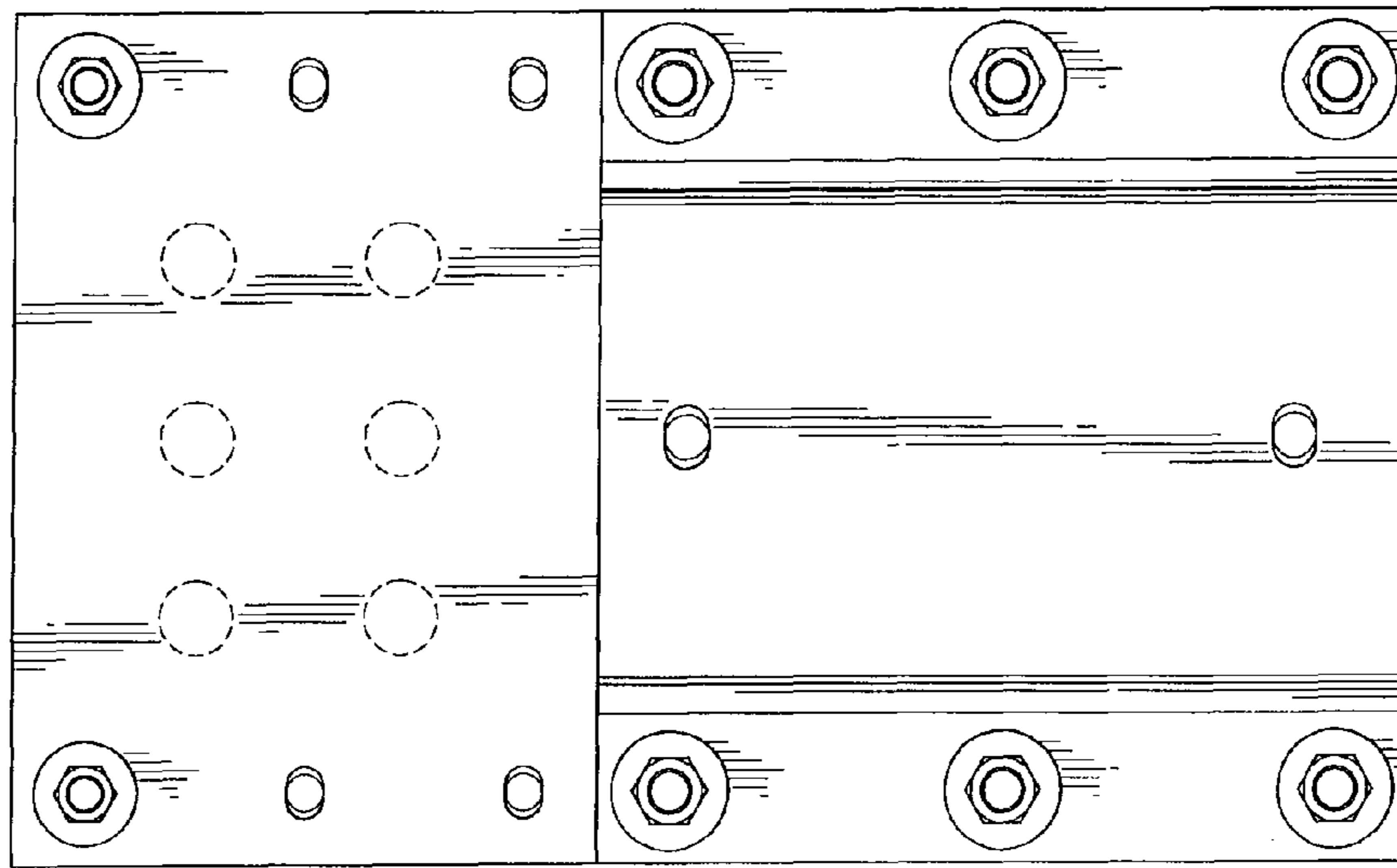


FIG. 8

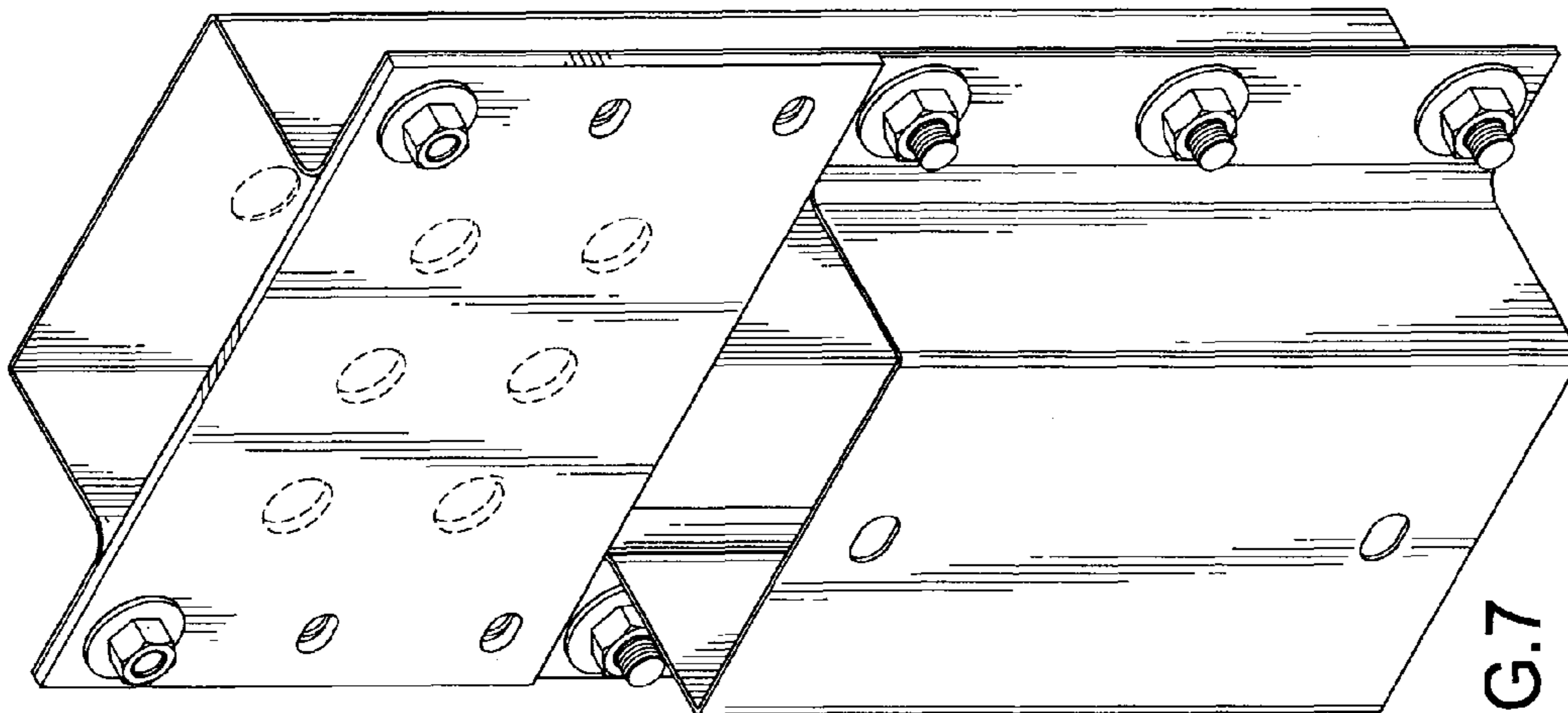


FIG. 7

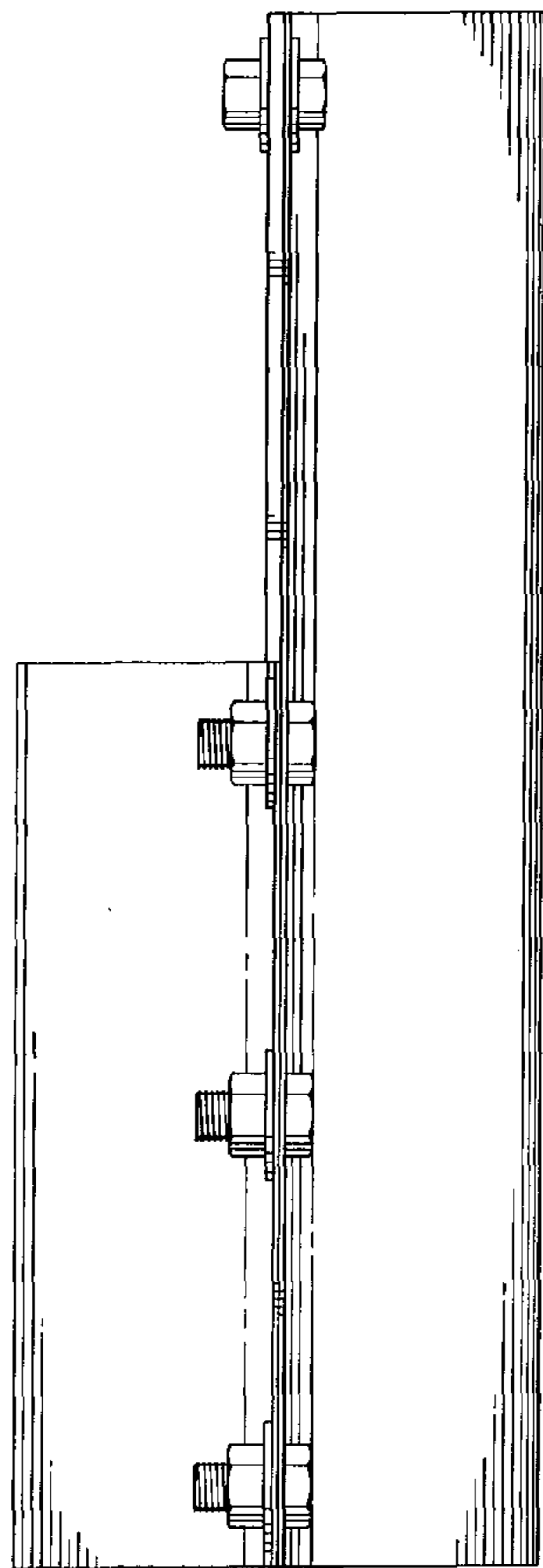


FIG. 10

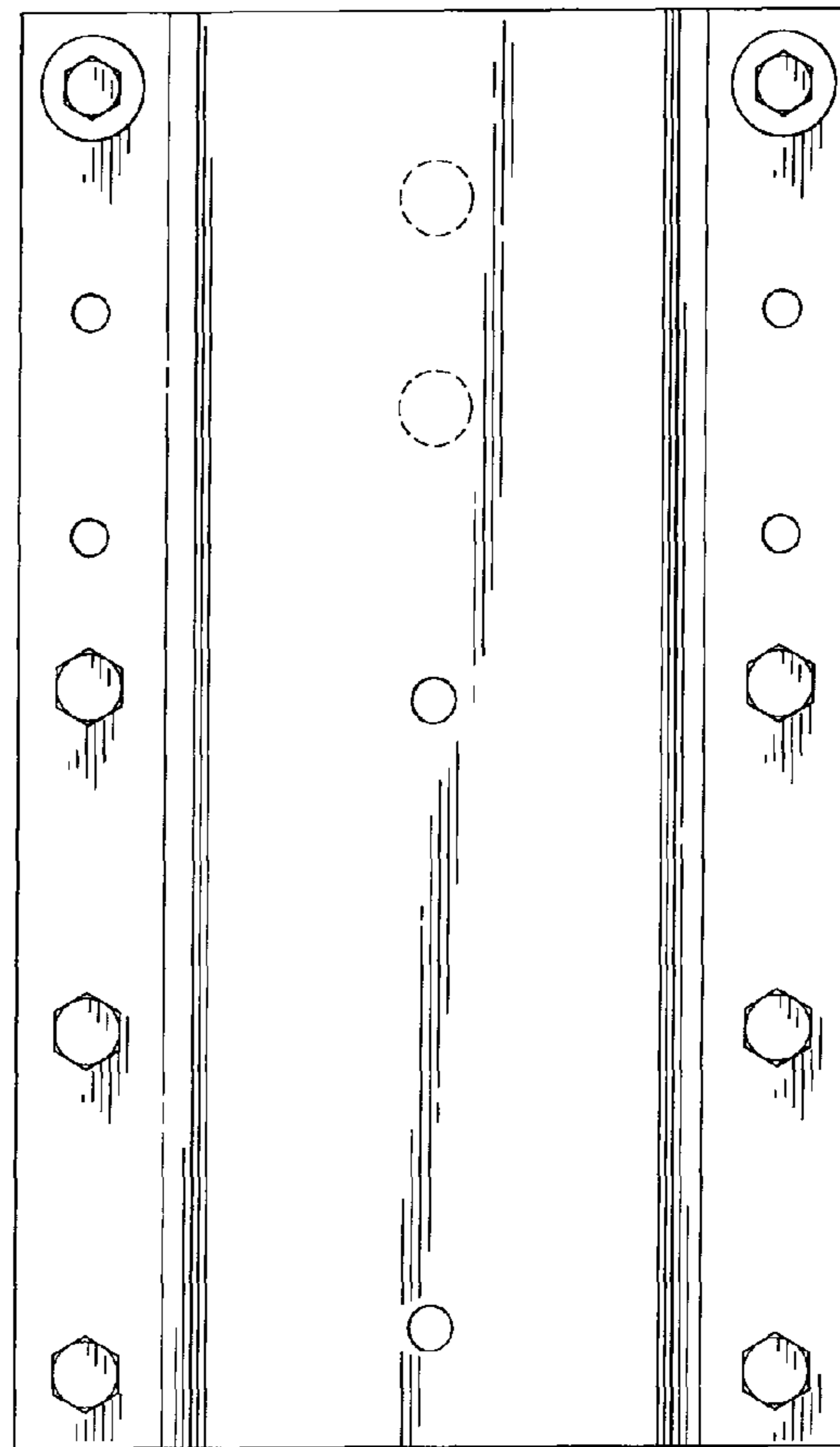


FIG. 9

FIG. 11

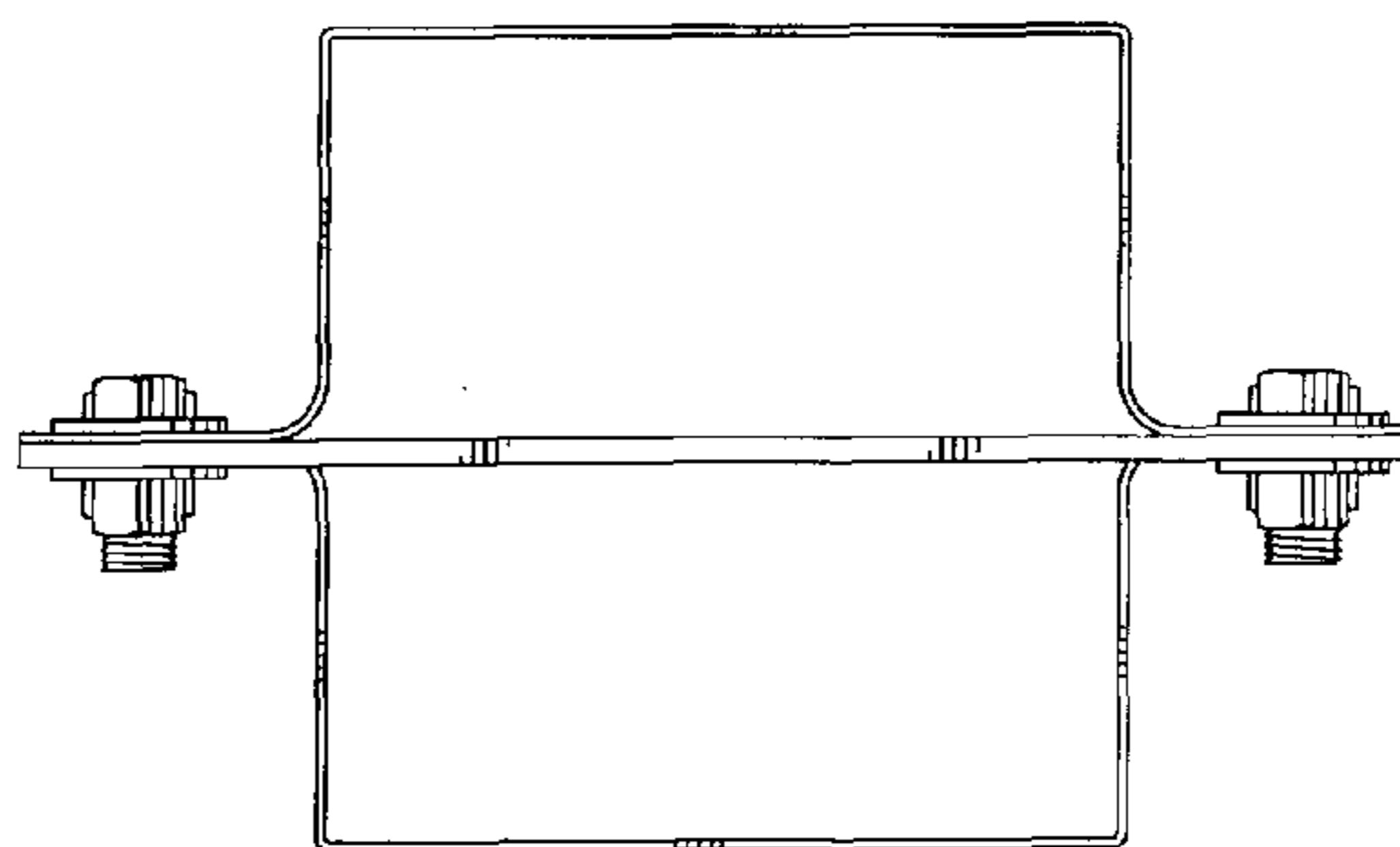


FIG. 12

