



US00D689204S

(12) **United States Design Patent**  
**MacDonald**

(10) **Patent No.:** **US D689,204 S**  
(45) **Date of Patent:** **\*\* Sep. 3, 2013**

(54) **LANDSCAPING BLOCK**  
(75) **Inventor:** **Robert A. MacDonald**, Plymouth, MN  
(US)  
(73) **Assignee:** **Keystone Retaining Wall Systems**  
**LLC**, West Chester, OH (US)  
(\*\*) **Term:** **14 Years**

D384,168 S 9/1997 Stevenson  
D387,434 S 12/1997 Dawson  
D391,376 S 2/1998 Strand et al.  
D397,230 S 8/1998 Forsberg  
D397,451 S 8/1998 Stevenson  
D397,808 S 9/1998 Dawson  
5,865,006 A 2/1999 Dawson  
5,913,790 A 6/1999 Dawson  
D417,506 S 12/1999 Harding

(Continued)

(21) **Appl. No.:** **29/417,055**

(22) **Filed:** **Mar. 29, 2012**

(51) **LOC (9) Cl.** ..... **25-01**

(52) **U.S. Cl.**  
USPC ..... **D25/114**

(58) **Field of Classification Search**  
USPC ..... D25/102-118, 136, 138, 140, 151,  
D25/152, 153, 156-162, 164; D21/484-491,  
D21/499-504; 405/16, 284, 286; 52/503-505,  
52/574, 575, 596-612; 404/27-42  
See application file for complete search history.

(56) **References Cited**

**U.S. PATENT DOCUMENTS**

1,334,599 A 3/1920 Cusick  
1,419,805 A 6/1922 Bigler  
2,313,363 A 3/1943 Schmitt  
4,909,717 A 3/1990 Pardo  
4,920,712 A 5/1990 Dean, Jr.  
5,017,049 A 5/1991 Sievert  
D343,461 S \* 1/1994 Powell ..... D25/114  
5,294,216 A 3/1994 Sievert  
D350,402 S 9/1994 Pribyl et al.  
D363,787 S \* 10/1995 Powell ..... D25/118  
5,484,236 A 1/1996 Gravier  
5,568,994 A 10/1996 Dawson  
5,598,679 A 2/1997 Orton et al.  
5,601,384 A 2/1997 Dawson  
D380,560 S 7/1997 Forsberg  
D381,086 S 7/1997 Forsberg

**FOREIGN PATENT DOCUMENTS**

CH 663 437 A5 12/1987  
WO WO 2009/052302 A2 4/2009

**OTHER PUBLICATIONS**

Abstract of CH 663 437 A5 (1 page).

*Primary Examiner* — Anhdao Doan

(74) *Attorney, Agent, or Firm* — Popovich, Wiles & O'Connell, P.A.

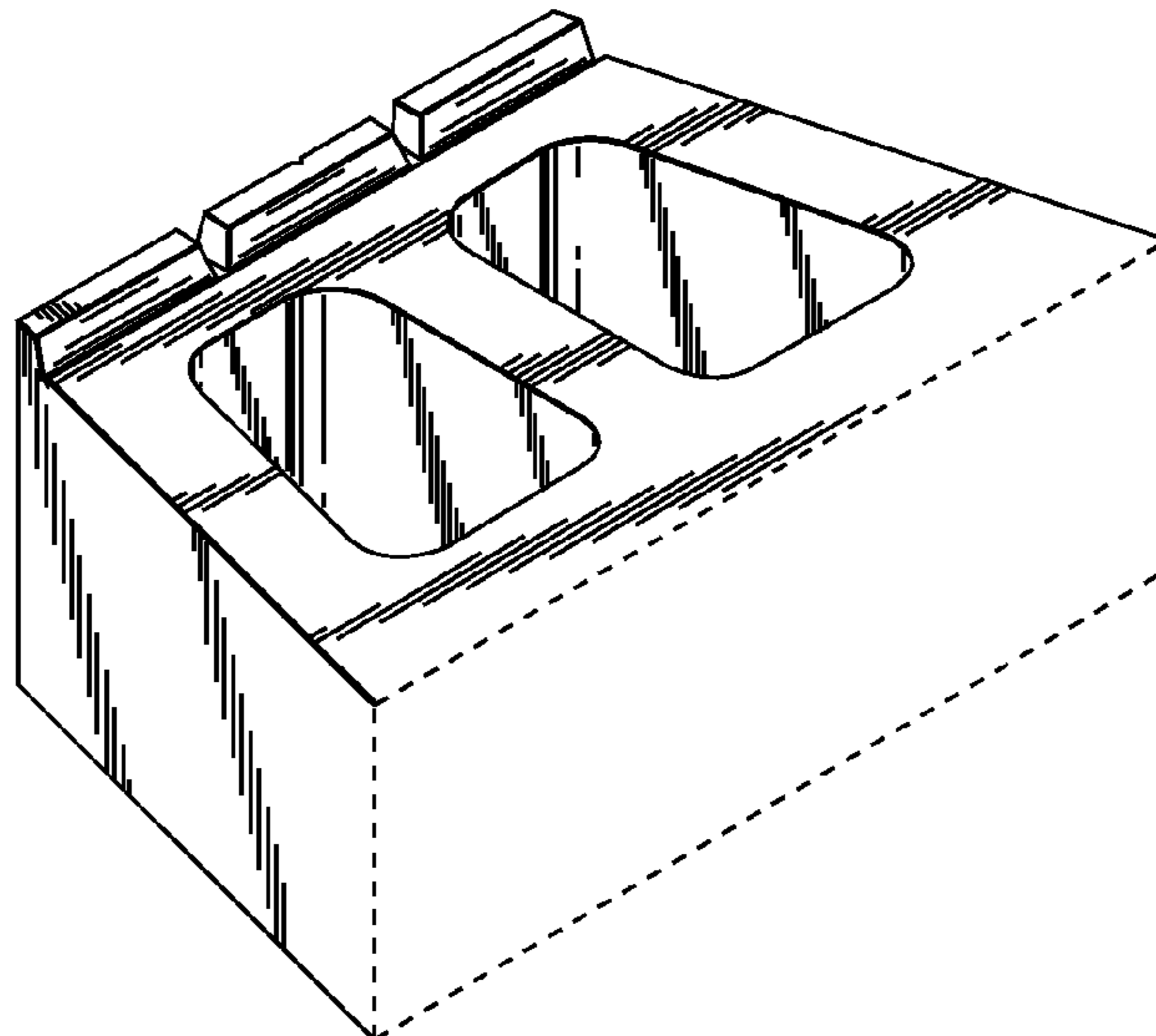
(57) **CLAIM**

The ornamental design for a landscaping block, as shown and described.

**DESCRIPTION**

FIG. 1 is a front top perspective view of a landscaping block according to my new design;  
FIG. 2 is a front bottom perspective view thereof;  
FIG. 3 is a top plan view thereof;  
FIG. 4 is a bottom plan view thereof;  
FIG. 5 is a front elevational view thereof;  
FIG. 6 is a rear elevational view thereof;  
FIG. 7 is a left side view thereof; and,  
FIG. 8 is a right side view thereof.  
The broken lines in FIGS. 1-5, 7 and 8 are included for the purpose of illustrating a portion of the landscaping block that forms no part of the claimed design.

**1 Claim, 2 Drawing Sheets**



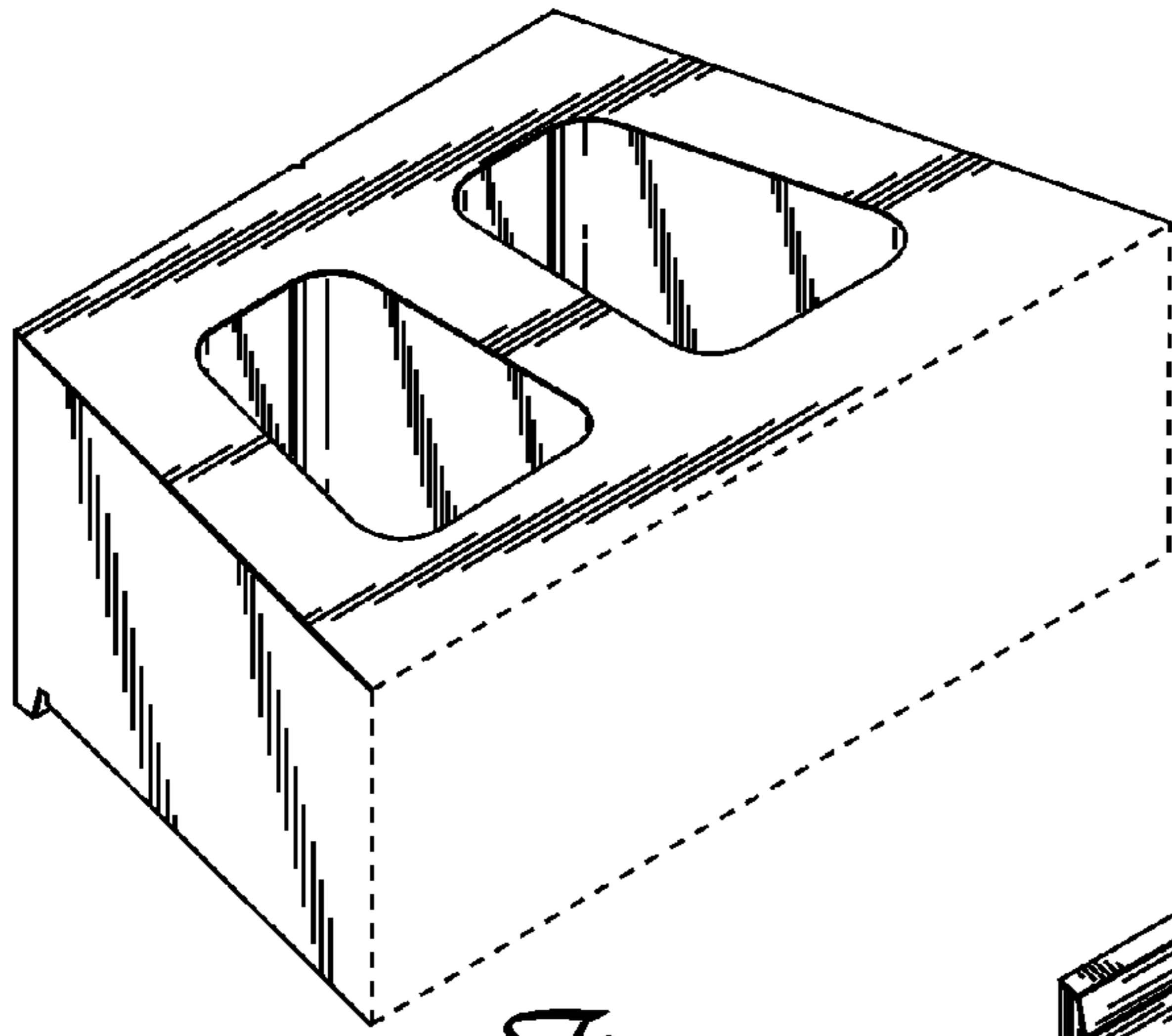
(56)

References Cited

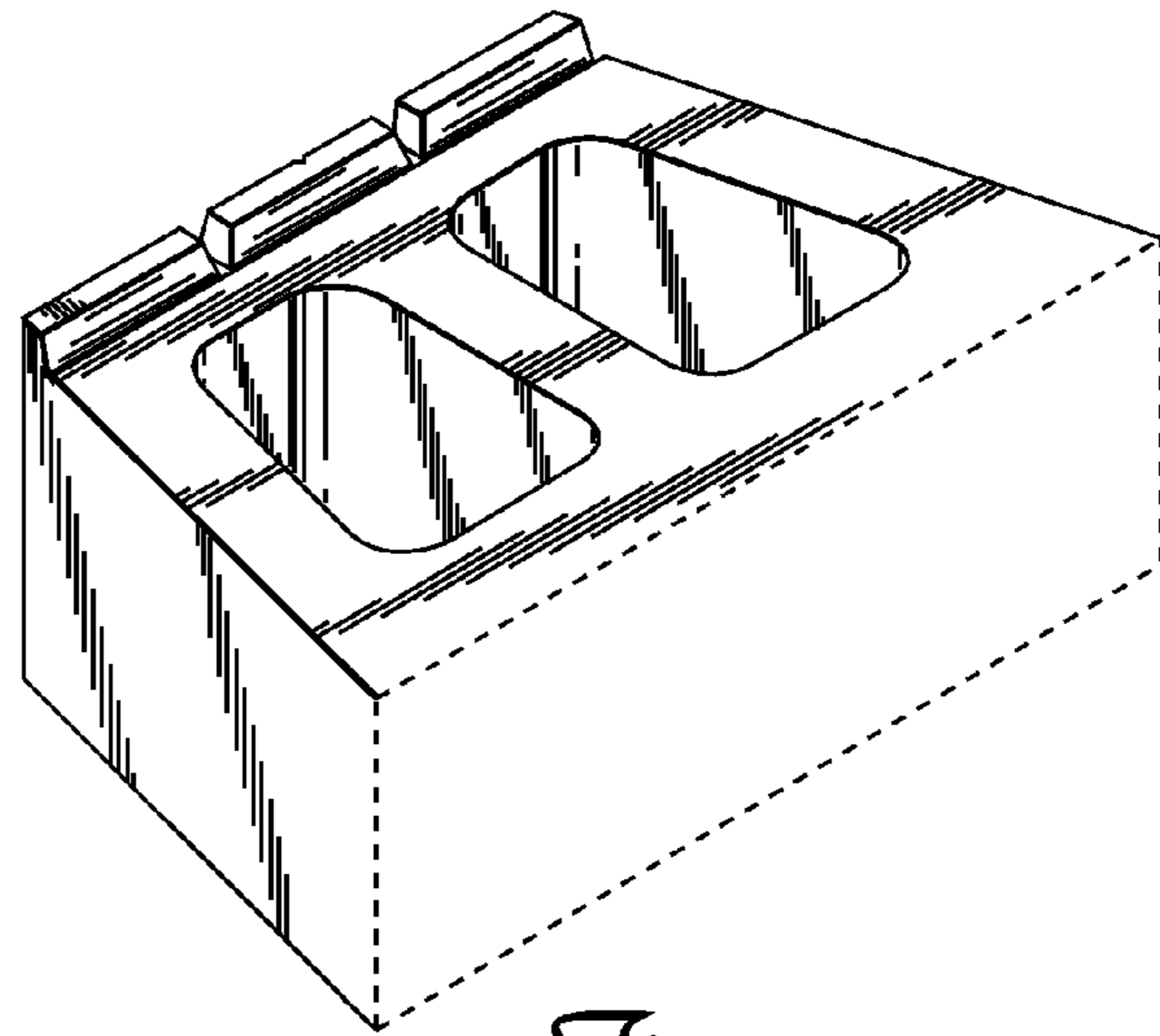
U.S. PATENT DOCUMENTS

D428,499 S *	7/2000	Bazzocchi	.....	D25/113	D600,359 S	9/2009	King	
D429,004 S	8/2000	Strand et al.			7,641,178 B2	1/2010	MacDonald et al.	
D430,308 S	8/2000	Dawson			D610,710 S	2/2010	LaCroix et al.	
6,149,352 A	11/2000	MacDonald			7,654,776 B2	2/2010	MacDonald et al.	
6,312,197 B1	11/2001	Woolford et al.			D620,615 S	7/2010	MacDonald et al.	
D458,693 S	6/2002	Sievert			D621,070 S	8/2010	MacDonald et al.	
6,464,432 B1 *	10/2002	Shaw	.....	405/286	7,780,141 B2	8/2010	Dawson et al.	
6,536,994 B2	3/2003	Race			D633,629 S	3/2011	MacDonald et al.	
6,615,561 B2	9/2003	MacDonald et al.			7,934,351 B2	5/2011	Clarno	
6,709,201 B2	3/2004	Race			7,963,727 B1 *	6/2011	Wauhrop	..... 405/286
D488,242 S	4/2004	MacDonald			7,971,407 B2	7/2011	MacDonald	
D488,568 S	4/2004	MacDonald			D650,918 S *	12/2011	Hammer	..... D25/113
D488,569 S	4/2004	Dawson			D663,858 S *	7/2012	MacDonald	..... D25/113
D490,542 S	5/2004	MacDonald			2002/0083657 A1 *	7/2002	Mattox et al.	..... 52/605
6,803,002 B2	10/2004	Suto et al.			2004/0218985 A1	11/2004	Klettenberg et al.	
6,821,058 B1	11/2004	Dawson			2006/0110223 A1	5/2006	Dawson et al.	
D501,935 S	2/2005	Dawson et al.			2007/0193181 A1	8/2007	Klettenberg et al.	
6,854,231 B2	2/2005	MacDonald et al.			2008/0277561 A1	11/2008	MacDonald	
6,857,825 B1 *	2/2005	Morrell	.....	405/286	2008/0289282 A1	11/2008	MacDonald	
6,877,290 B2	4/2005	Mason			2008/0302350 A1	12/2008	LaCroix	
6,912,823 B2	7/2005	MacDonald et al.			2008/0307740 A1	12/2008	MacDonald	
7,037,047 B1 *	5/2006	Tufts et al.	.....	405/286	2008/0313988 A1	12/2008	MacDonald	
D530,830 S	10/2006	Collison et al.			2009/0120029 A1	5/2009	LaCroix et al.	
7,168,892 B1	1/2007	MacDonald et al.			2009/0151281 A1	6/2009	MacDonald et al.	
D539,438 S	3/2007	Price			2009/0188196 A1	7/2009	MacDonald	
D551,358 S *	9/2007	Deragon	.....	D25/113	2009/0308015 A1	12/2009	MacDonald et al.	
D556,919 S *	12/2007	Price	.....	D25/116	2009/0313936 A1	12/2009	MacDonald et al.	
7,360,970 B2	4/2008	Woolford et al.			2010/0308502 A1	12/2010	LaCroix et al.	
7,448,830 B2	11/2008	MacDonald et al.			2010/0310695 A1	12/2010	LaCroix et al.	
D587,382 S *	2/2009	Wauhrop	.....	D25/113	2011/0072753 A1	3/2011	MacDonald	
					2011/0217127 A1	9/2011	MacDonald	
					2011/0243669 A1	10/2011	Friederichs et al.	

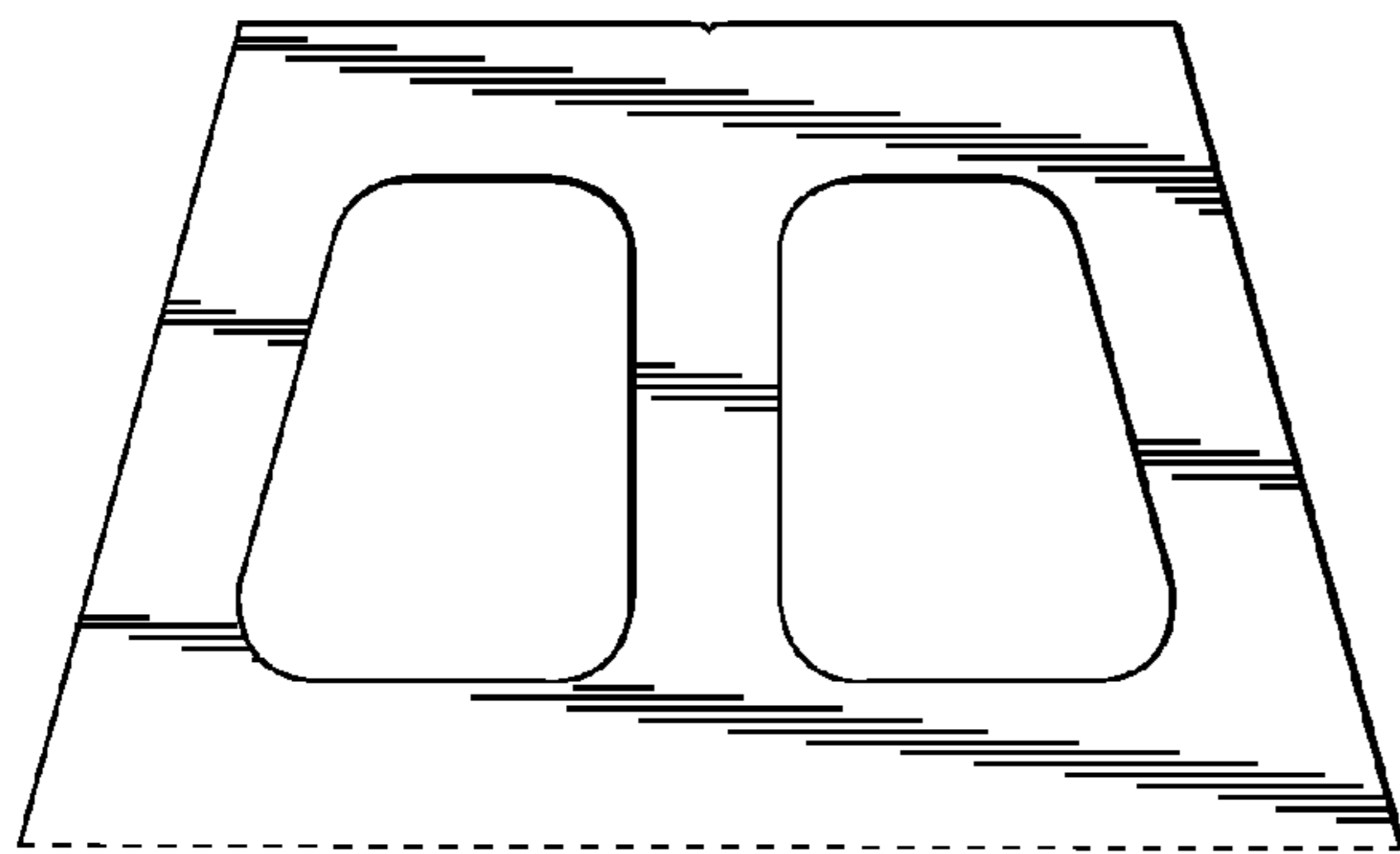
\* cited by examiner



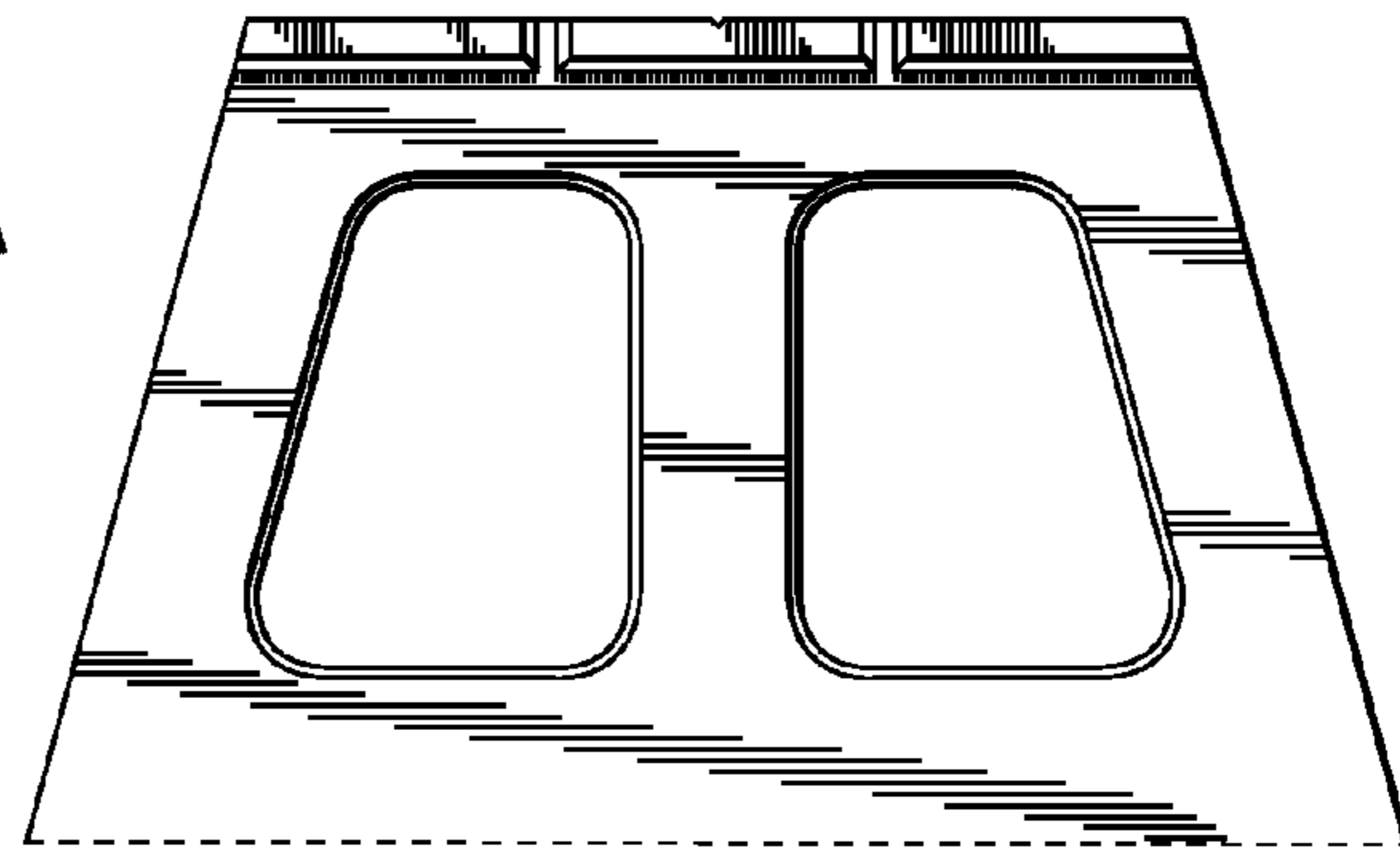
*Fig. 1*



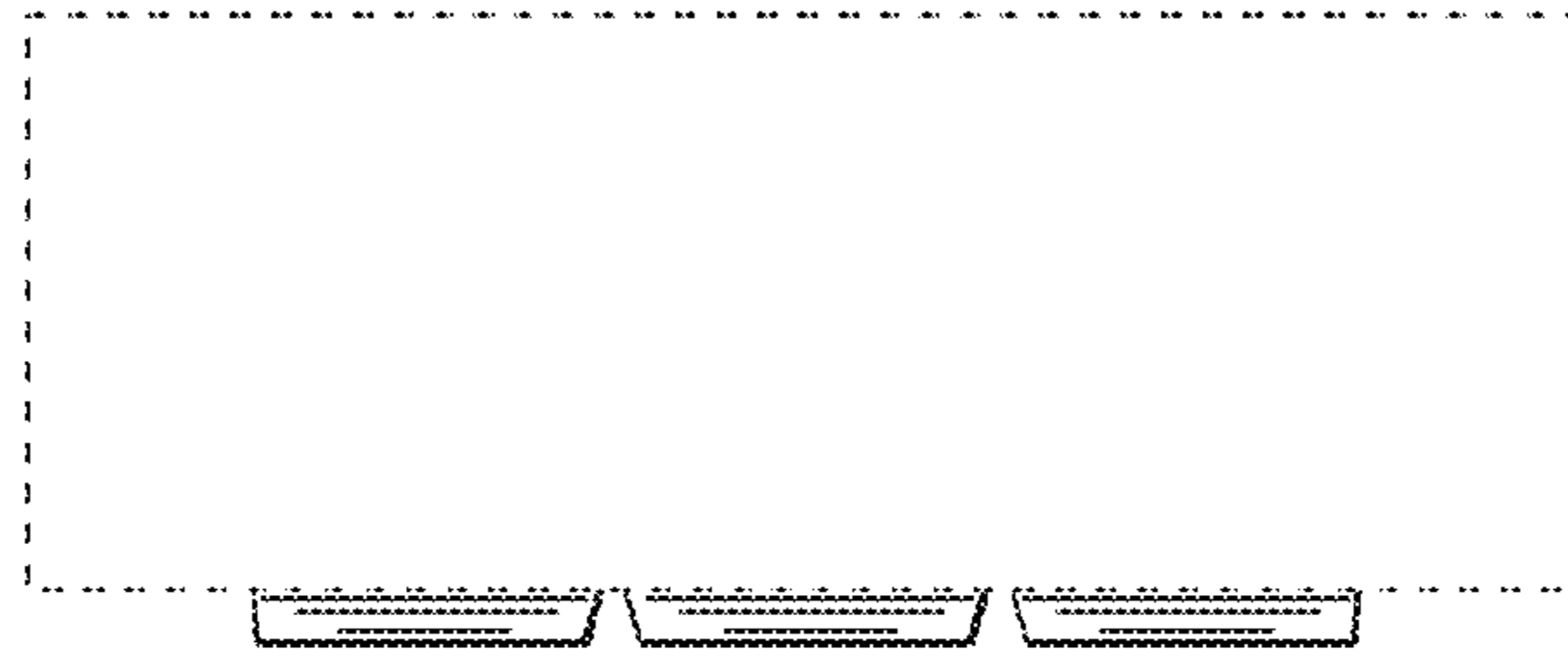
*Fig. 2*



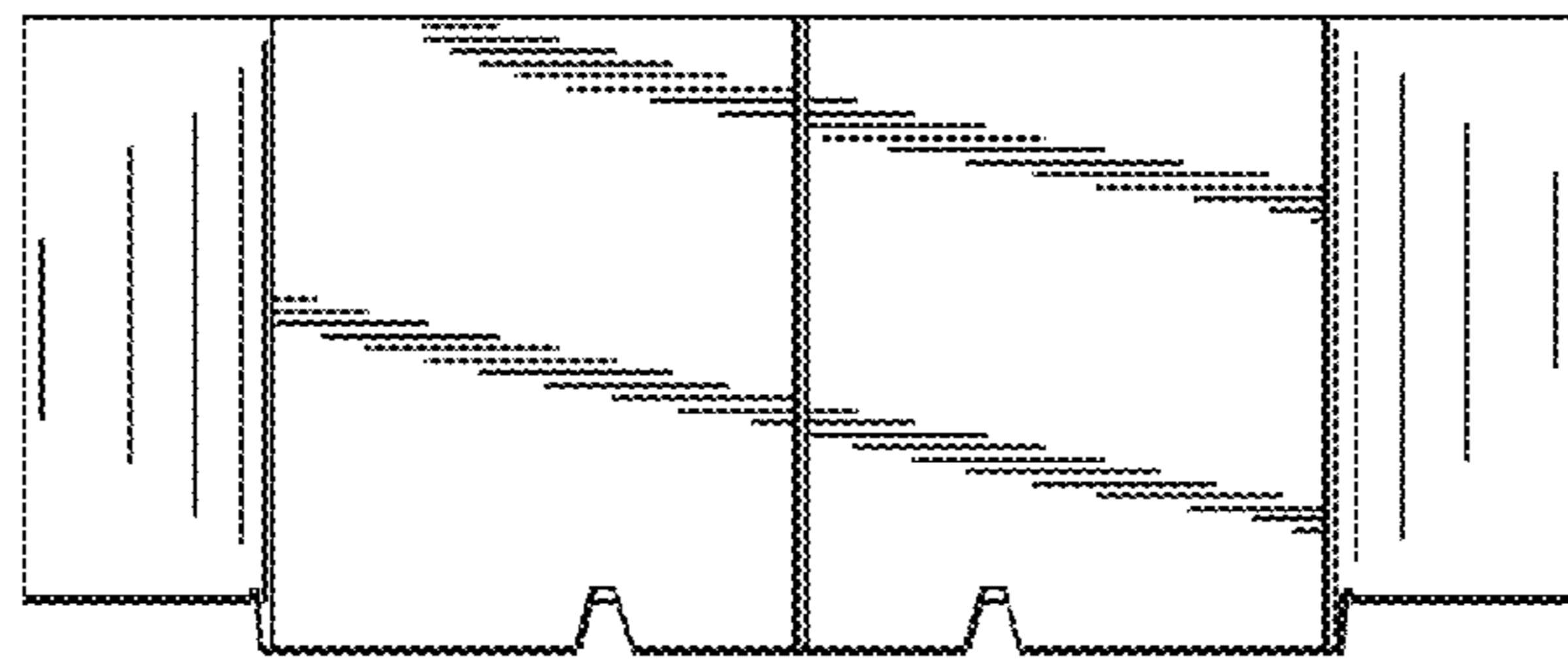
*Fig. 3*



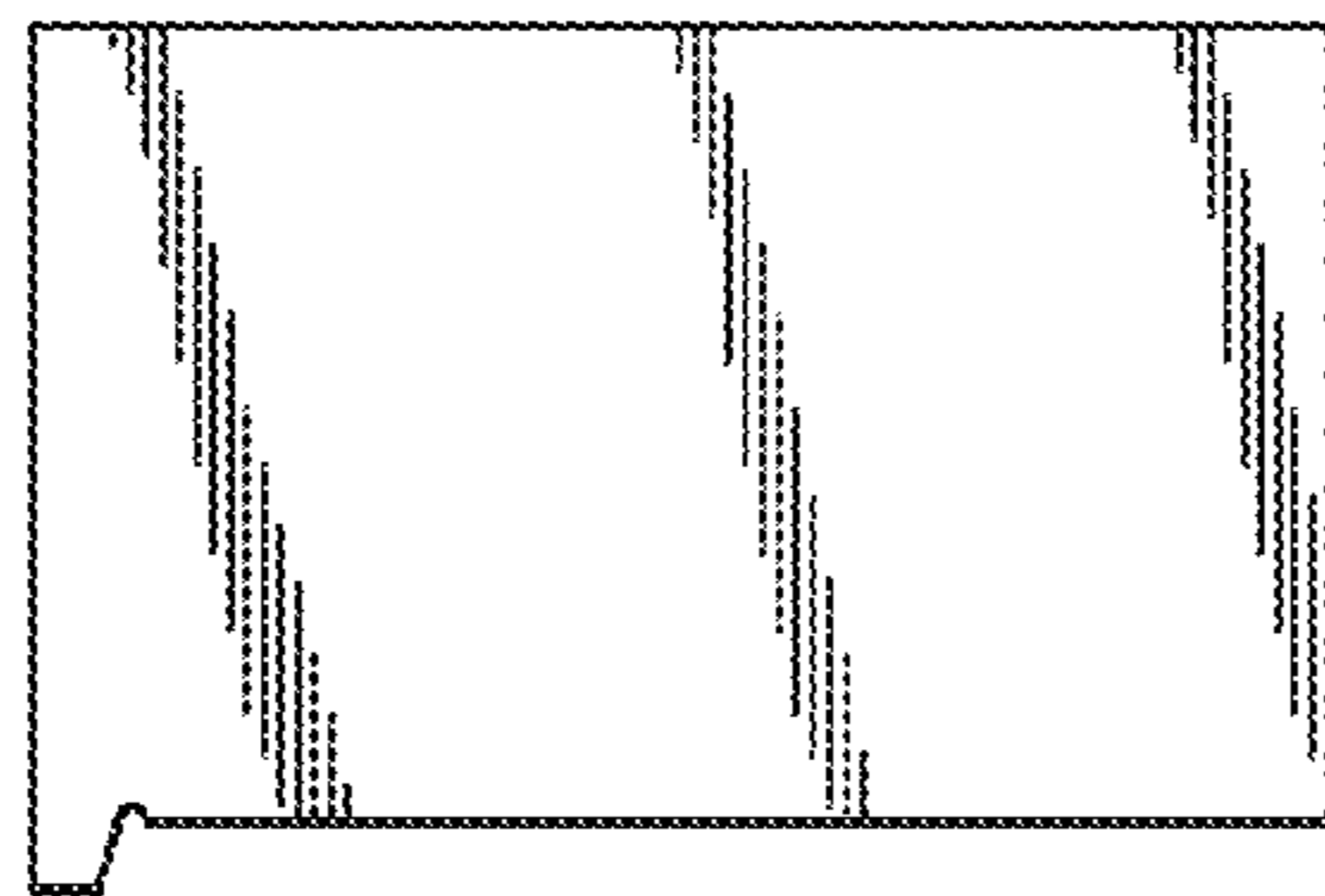
*Fig. 4*



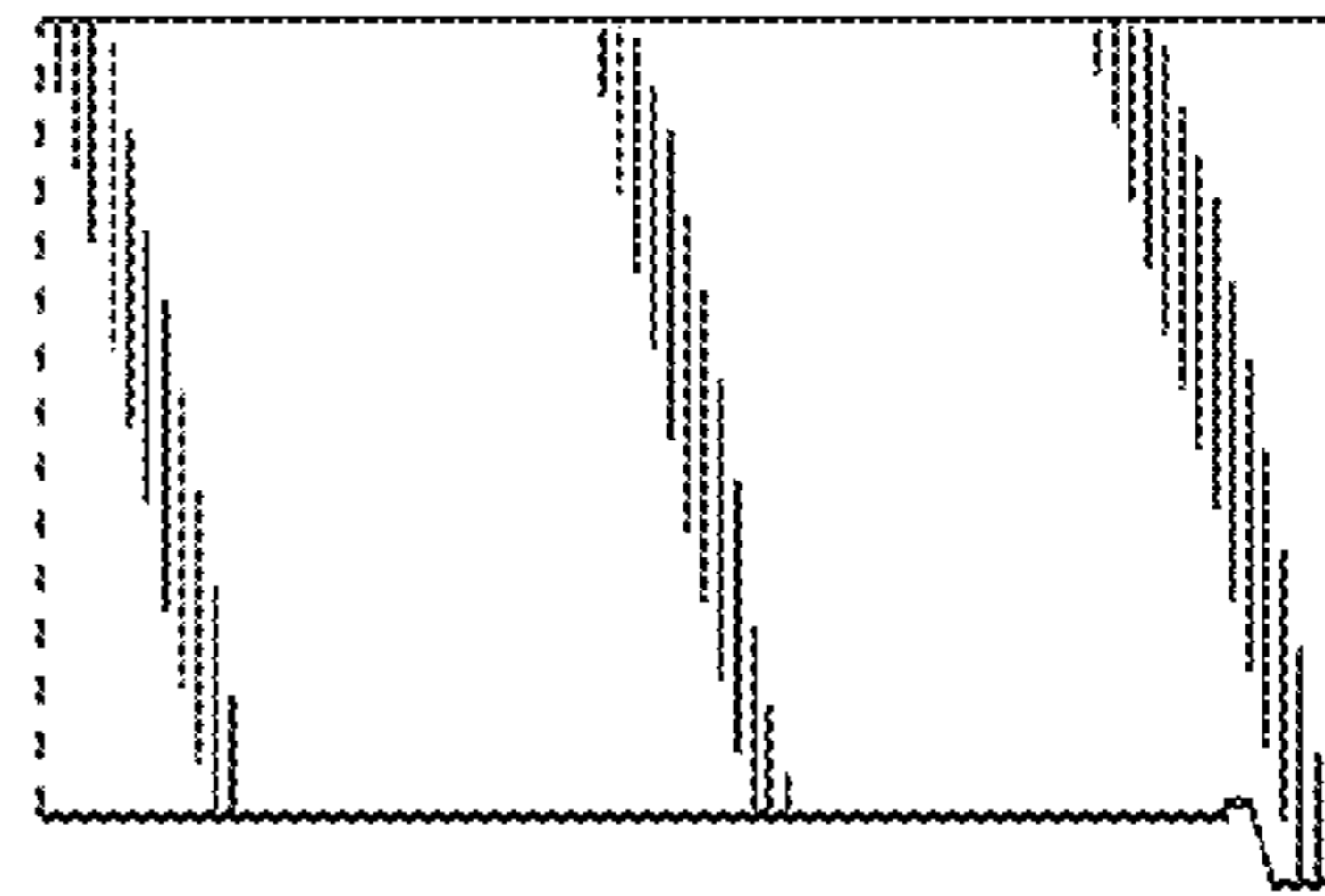
*Fig. 5*



*Fig. 6*



*Fig. 7*



*Fig. 8*