



US00D689203S

(12) **United States Design Patent**  
**MacDonald**

(10) **Patent No.:** **US D689,203 S**  
(45) **Date of Patent:** **\*\* Sep. 3, 2013**

(54) **LANDSCAPING BLOCK**  
(75) **Inventor:** **Robert A. MacDonald**, Plymouth, MN  
(US)  
(73) **Assignee:** **Keystone Retaining Wall Systems**  
**LLC**, West Chester, OH (US)  
(\*\*) **Term:** **14 Years**  
(21) **Appl. No.:** **29/417,053**

D384,168 S 9/1997 Stevenson  
D387,434 S 12/1997 Dawson  
D391,376 S 2/1998 Strand et al.  
D397,230 S 8/1998 Forsberg  
D397,451 S 8/1998 Stevenson  
D397,808 S 9/1998 Dawson  
5,865,006 A 2/1999 Dawson  
5,913,790 A 6/1999 Dawson  
D417,506 S 12/1999 Harding  
D428,499 S \* 7/2000 Bazzocchi ..... D25/113  
D429,004 S 8/2000 Strand et al.  
D430,308 S 8/2000 Dawson

(Continued)

(22) **Filed:** **Mar. 29, 2012**  
(51) **LOC (9) Cl.** ..... **25-01**  
(52) **U.S. Cl.**  
USPC ..... **D25/114**  
(58) **Field of Classification Search**  
USPC ..... D25/102-118, 136, 138, 140, 151,  
D25/152, 153, 156-162, 164; D21/484-491,  
D21/499-504; 405/16, 284, 286; 52/503-505,  
52/574, 575, 596-612; 404/27-42  
See application file for complete search history.

**FOREIGN PATENT DOCUMENTS**

CH 663 437 A5 A5 12/1987  
WO WO 2009/052302 A2 4/2009

**OTHER PUBLICATIONS**

Abstract of CH 663 437 A5 (1 page).

*Primary Examiner* — Anhdao Doan

(74) *Attorney, Agent, or Firm* — Popovich, Wiles & O'Connell, P.A.

(56) **References Cited**

**U.S. PATENT DOCUMENTS**

1,334,599 A 3/1920 Cusick  
1,419,805 A 6/1922 Bigler  
2,313,363 A 3/1943 Schmitt  
4,909,717 A 3/1990 Pardo  
4,920,712 A 5/1990 Dean, Jr.  
5,017,049 A 5/1991 Sievert  
D343,461 S \* 1/1994 Powell ..... D25/114  
5,294,216 A 3/1994 Sievert  
D350,402 S 9/1994 Pribyl et al.  
D363,787 S \* 10/1995 Powell ..... D25/118  
5,484,236 A 1/1996 Gravier  
5,568,994 A 10/1996 Dawson  
5,598,679 A 2/1997 Orton et al.  
5,601,384 A 2/1997 Dawson  
D380,560 S 7/1997 Forsberg  
D381,086 S 7/1997 Forsberg

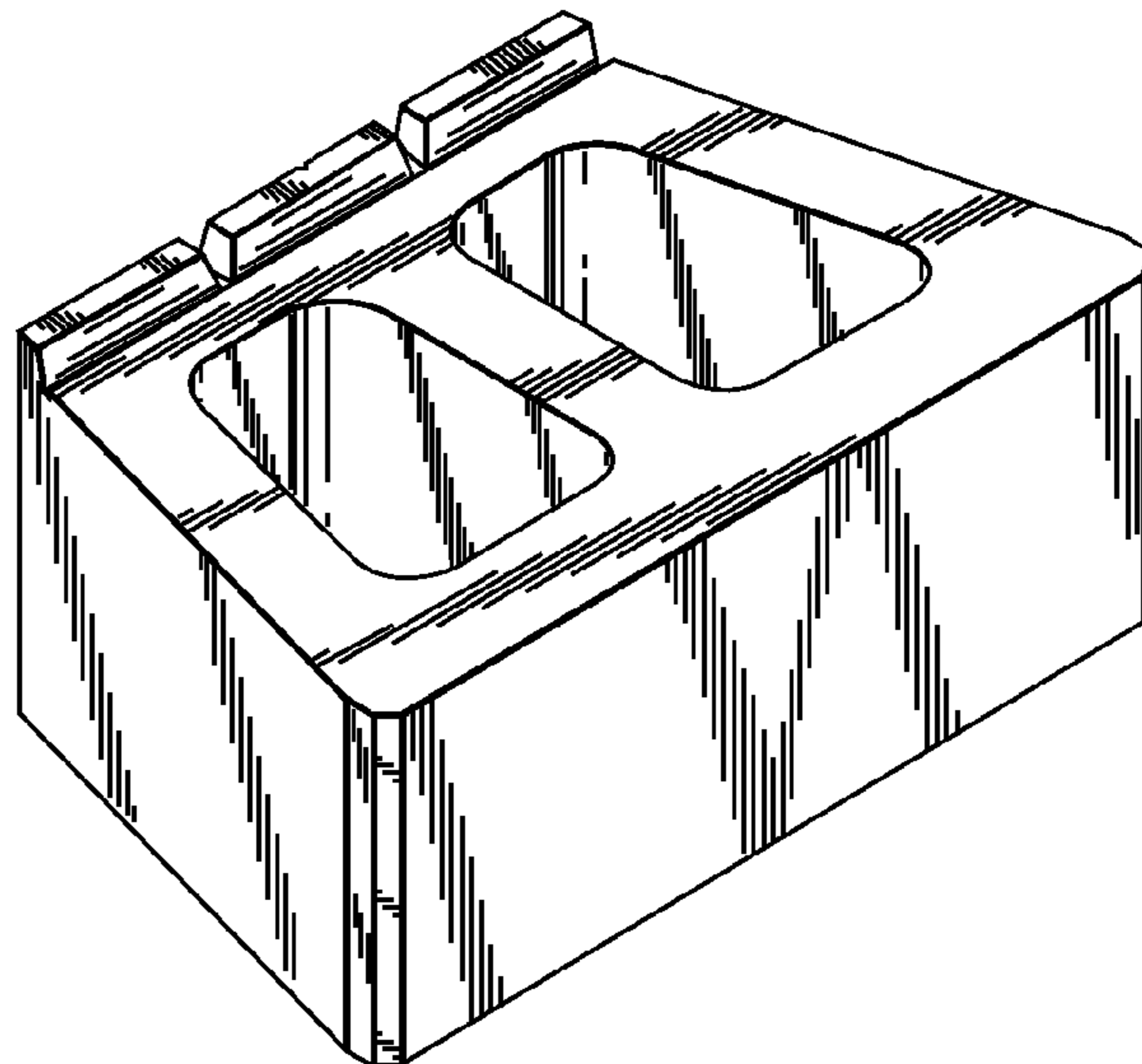
(57) **CLAIM**

The ornamental design for a landscaping block, as shown and described.

**DESCRIPTION**

FIG. 1 is a front top perspective view of a landscaping block according to my new design;  
FIG. 2 is a front bottom perspective view thereof;  
FIG. 3 is a top plan view thereof;  
FIG. 4 is a bottom plan view thereof;  
FIG. 5 is a front elevational view thereof;  
FIG. 6 is a rear elevational view thereof;  
FIG. 7 is a left side view thereof; and,  
FIG. 8 is a right side view thereof.

**1 Claim, 2 Drawing Sheets**



(56)

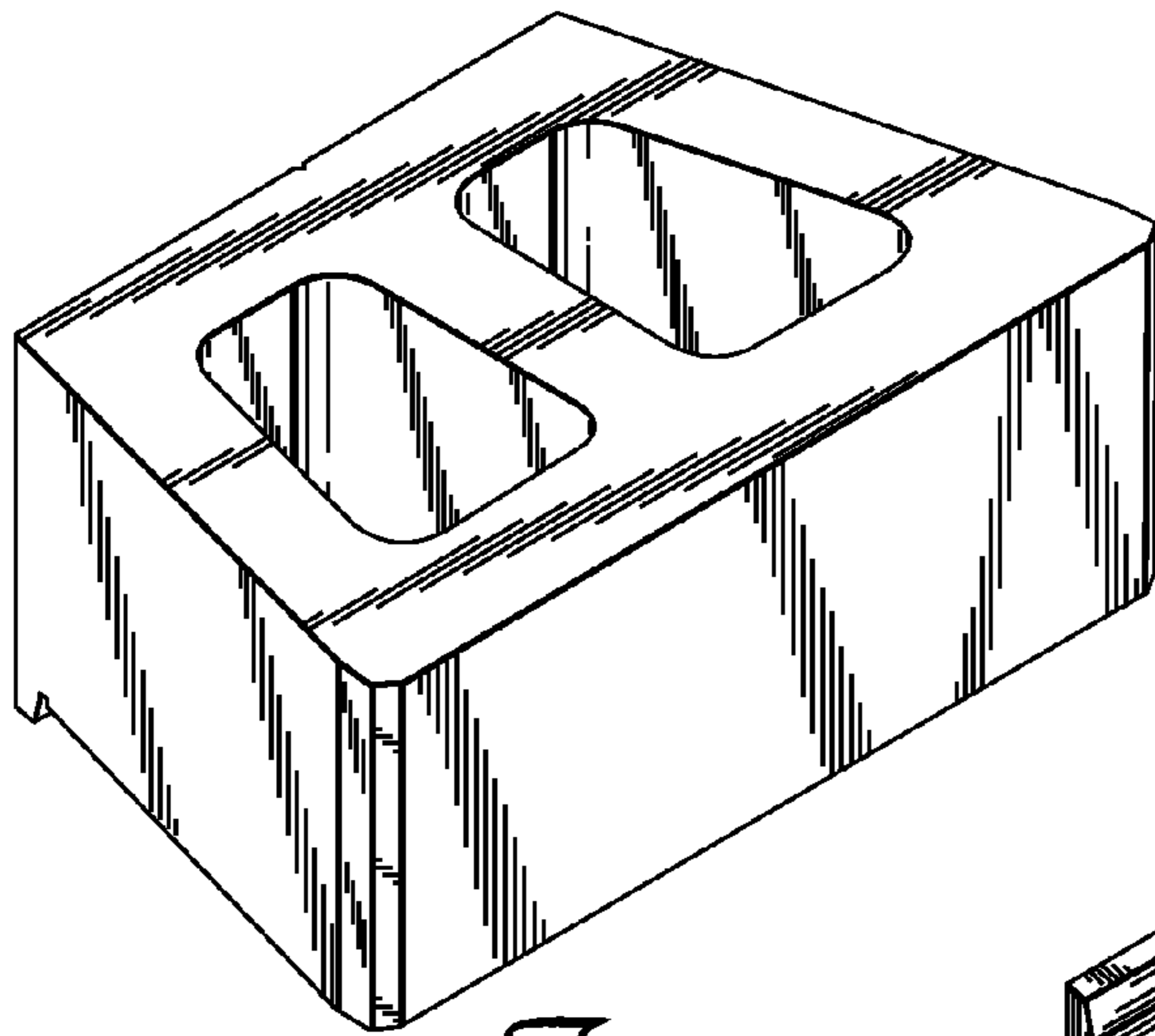
References Cited

U.S. PATENT DOCUMENTS

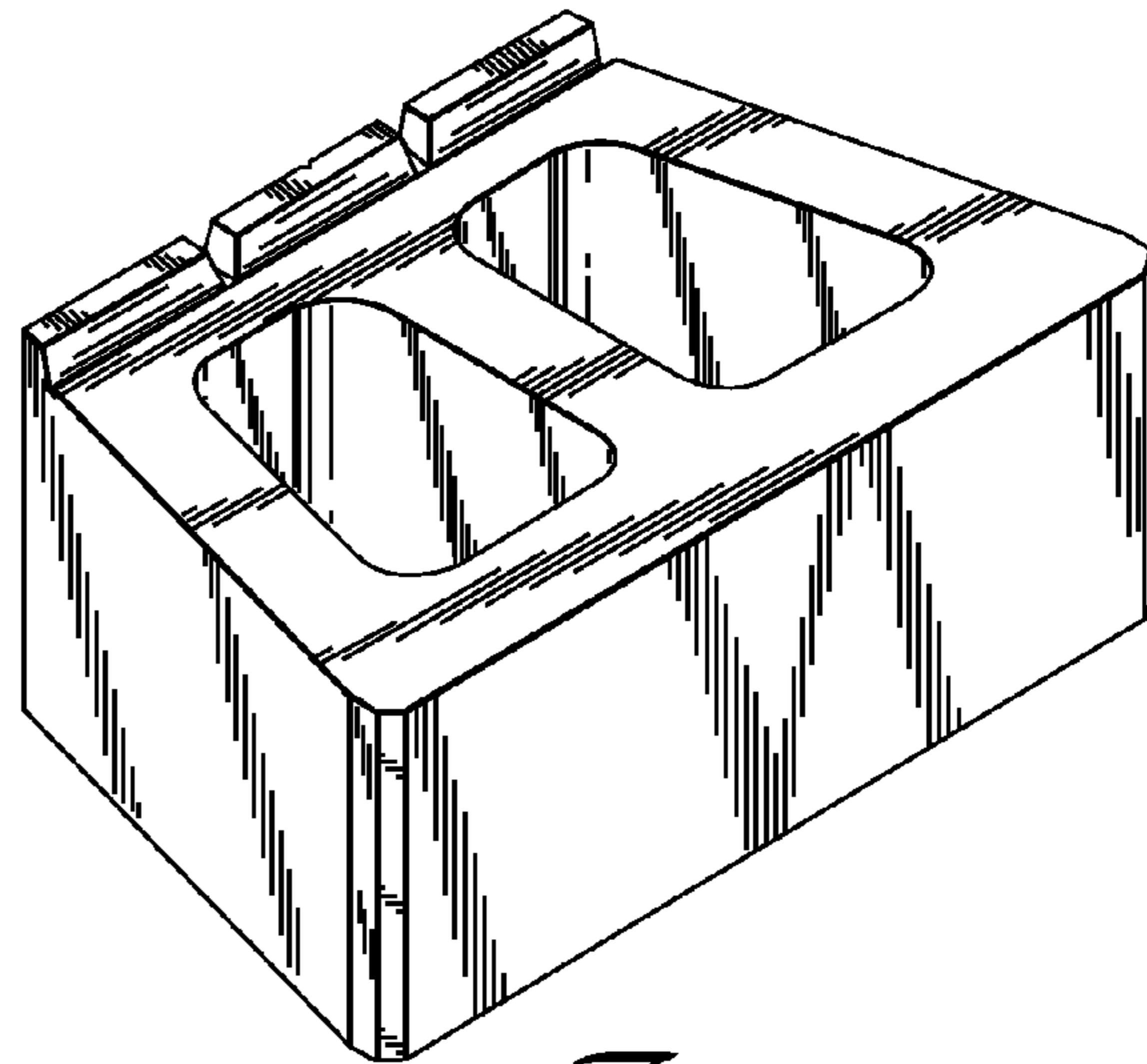
6,149,352 A 11/2000 MacDonald  
 6,312,197 B1 11/2001 Woolford et al.  
 D458,693 S 6/2002 Sievert  
 6,464,432 B1\* 10/2002 Shaw ..... 405/286  
 6,536,994 B2 3/2003 Race  
 6,615,561 B2 9/2003 MacDonald et al.  
 6,709,201 B2 3/2004 Race  
 D488,242 S 4/2004 MacDonald  
 D488,568 S 4/2004 MacDonald  
 D488,569 S 4/2004 Dawson  
 D490,542 S 5/2004 MacDonald  
 6,803,002 B2 10/2004 Suto et al.  
 6,821,058 B1 11/2004 Dawson  
 D501,935 S 2/2005 Dawson et al.  
 6,854,231 B2 2/2005 MacDonald et al.  
 6,857,825 B1\* 2/2005 Morrell ..... 405/286  
 6,877,290 B2 4/2005 Mason  
 6,912,823 B2 7/2005 MacDonald et al.  
 7,037,047 B1\* 5/2006 Tufts et al. .... 405/286  
 D530,830 S 10/2006 Collison et al.  
 7,168,892 B1 1/2007 MacDonald et al.  
 D539,438 S 3/2007 Price  
 D551,358 S\* 9/2007 Deragon ..... D25/113  
 D556,919 S\* 12/2007 Price ..... D25/116  
 7,360,970 B2 4/2008 Woolford et al.  
 7,448,830 B2 11/2008 MacDonald et al.  
 D587,382 S\* 2/2009 Wauhopp ..... D25/113  
 D600,359 S 9/2009 King  
 7,641,178 B2 1/2010 MacDonald et al.

D610,710 S 2/2010 LaCroix et al.  
 7,654,776 B2 2/2010 MacDonald et al.  
 D620,615 S 7/2010 MacDonald et al.  
 D621,070 S 8/2010 MacDonald et al.  
 7,780,141 B2 8/2010 Dawson et al.  
 D633,629 S 3/2011 MacDonald et al.  
 7,934,351 B2 5/2011 Clarno  
 7,963,727 B1\* 6/2011 Wauhopp ..... 405/286  
 7,971,407 B2 7/2011 MacDonald  
 D650,918 S\* 12/2011 Hammer ..... D25/113  
 D663,858 S\* 7/2012 MacDonald ..... D25/113  
 2002/0083657 A1\* 7/2002 Mattox et al. .... 52/605  
 2004/0218985 A1 11/2004 Klettenberg et al.  
 2006/0110223 A1 5/2006 Dawson et al.  
 2007/0193181 A1 8/2007 Klettenberg et al.  
 2008/0277561 A1 11/2008 MacDonald  
 2008/0289282 A1 11/2008 MacDonald  
 2008/0302350 A1 12/2008 LaCroix  
 2008/0307740 A1 12/2008 MacDonald  
 2008/0313988 A1 12/2008 MacDonald  
 2009/0120029 A1 5/2009 LaCroix et al.  
 2009/0151281 A1 6/2009 MacDonald et al.  
 2009/0188196 A1 7/2009 MacDonald  
 2009/0308015 A1 12/2009 MacDonald et al.  
 2009/0313936 A1 12/2009 MacDonald et al.  
 2010/0308502 A1 12/2010 LaCroix et al.  
 2010/0310695 A1 12/2010 LaCroix et al.  
 2011/0072753 A1 3/2011 MacDonald  
 2011/0217127 A1 9/2011 MacDonald  
 2011/0243669 A1 10/2011 Friederichs et al.

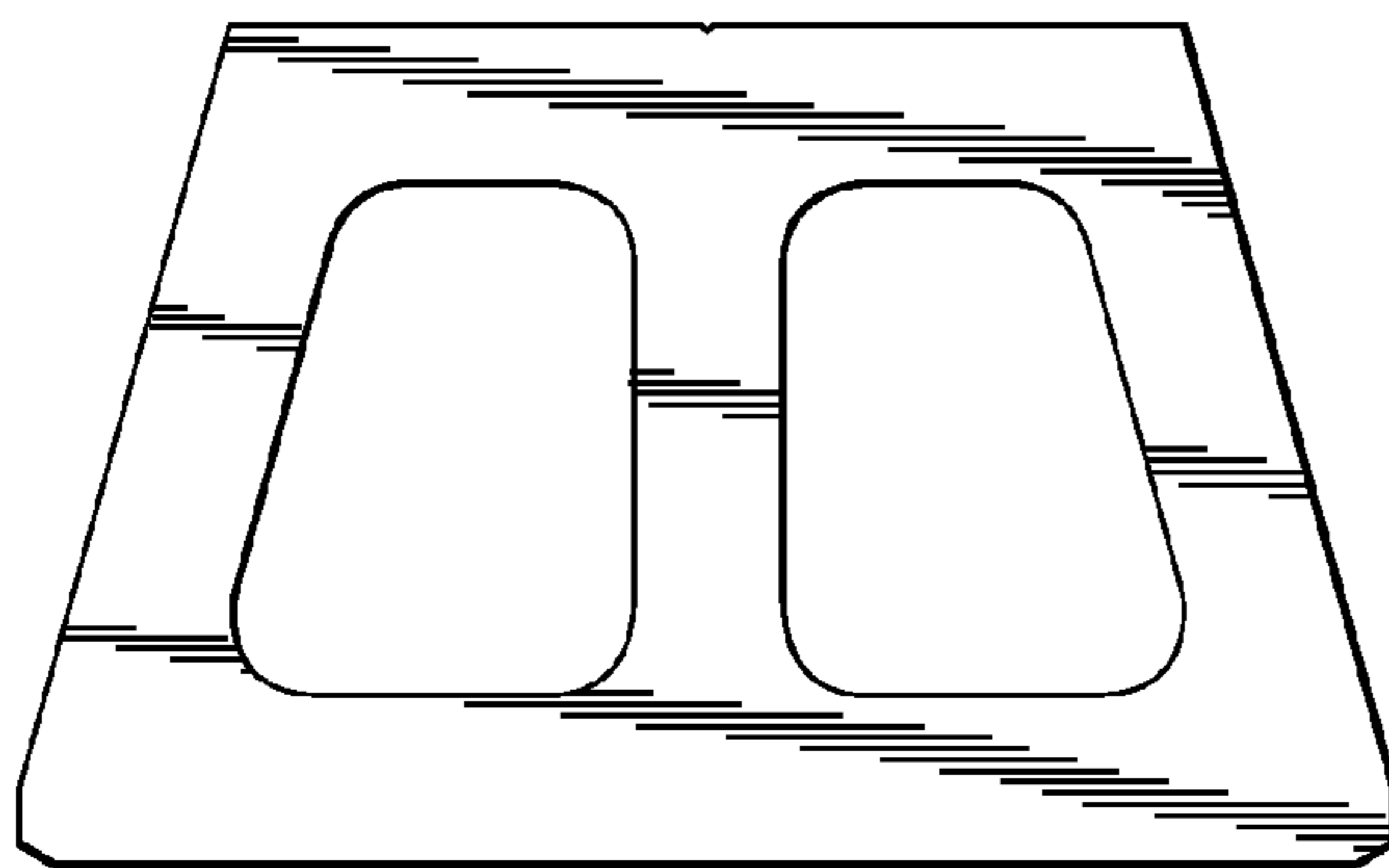
\* cited by examiner



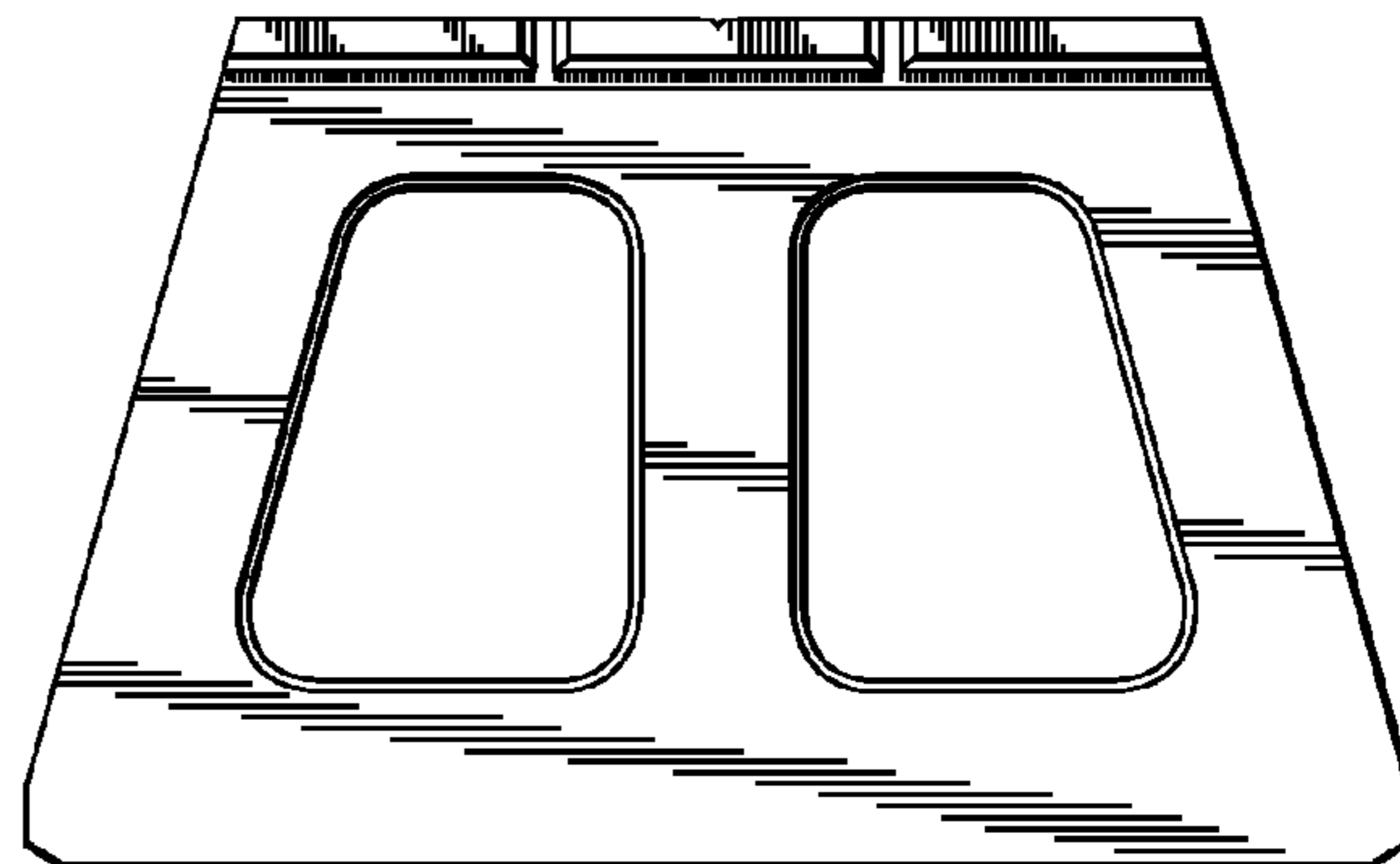
*Fig. 1*



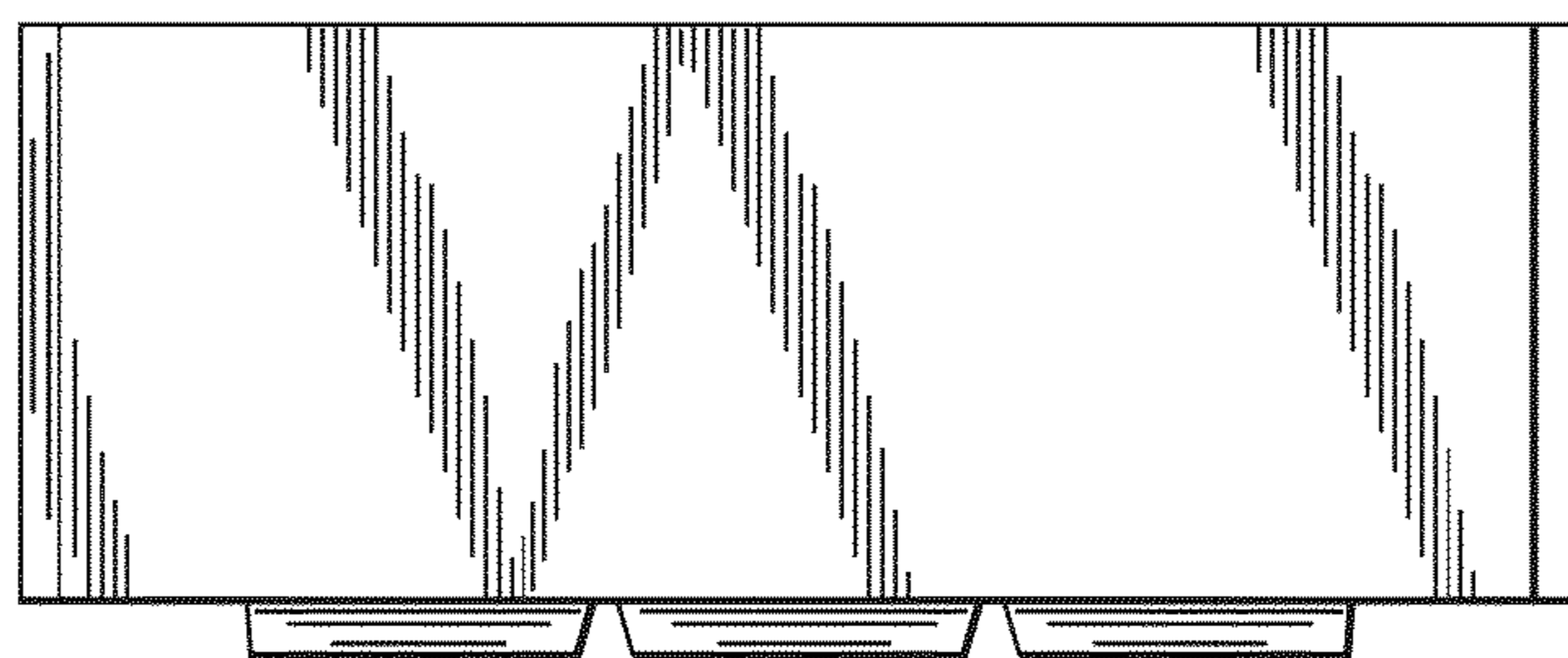
*Fig. 2*



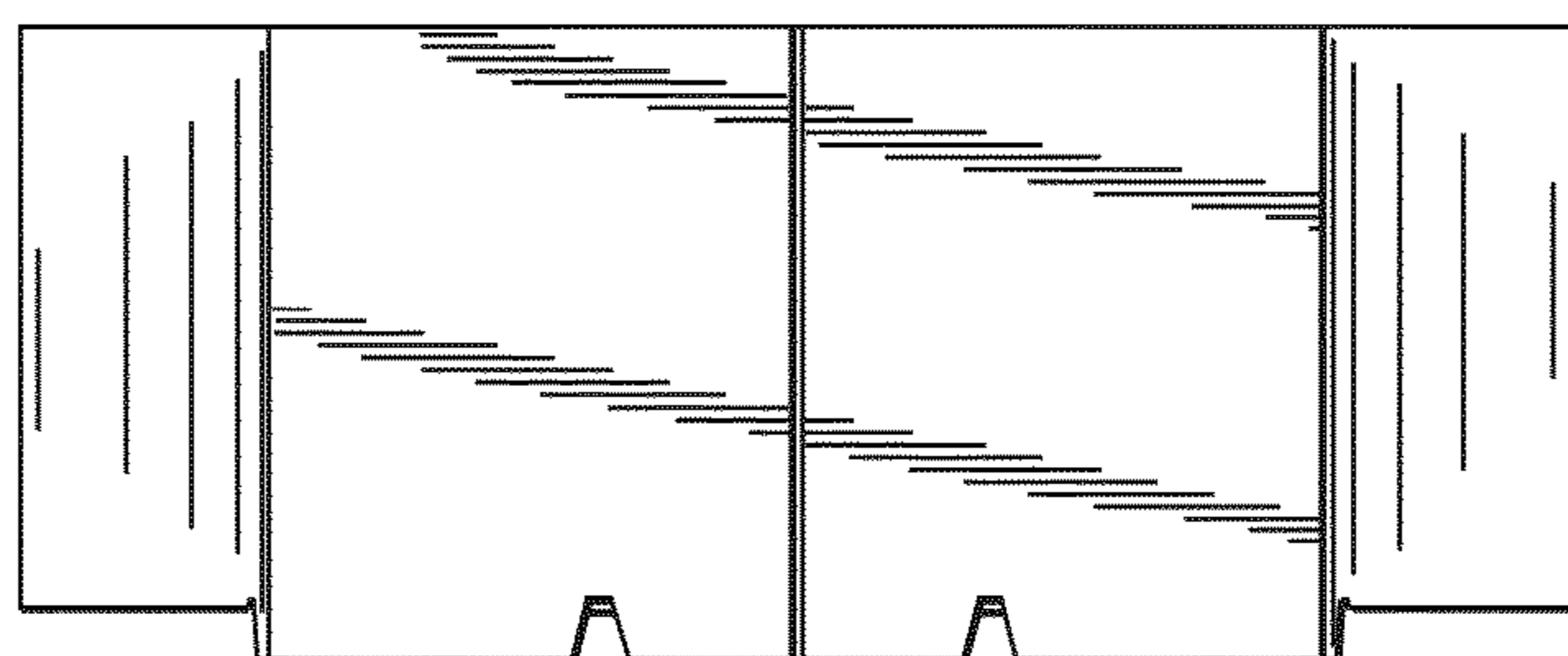
*Fig. 3*



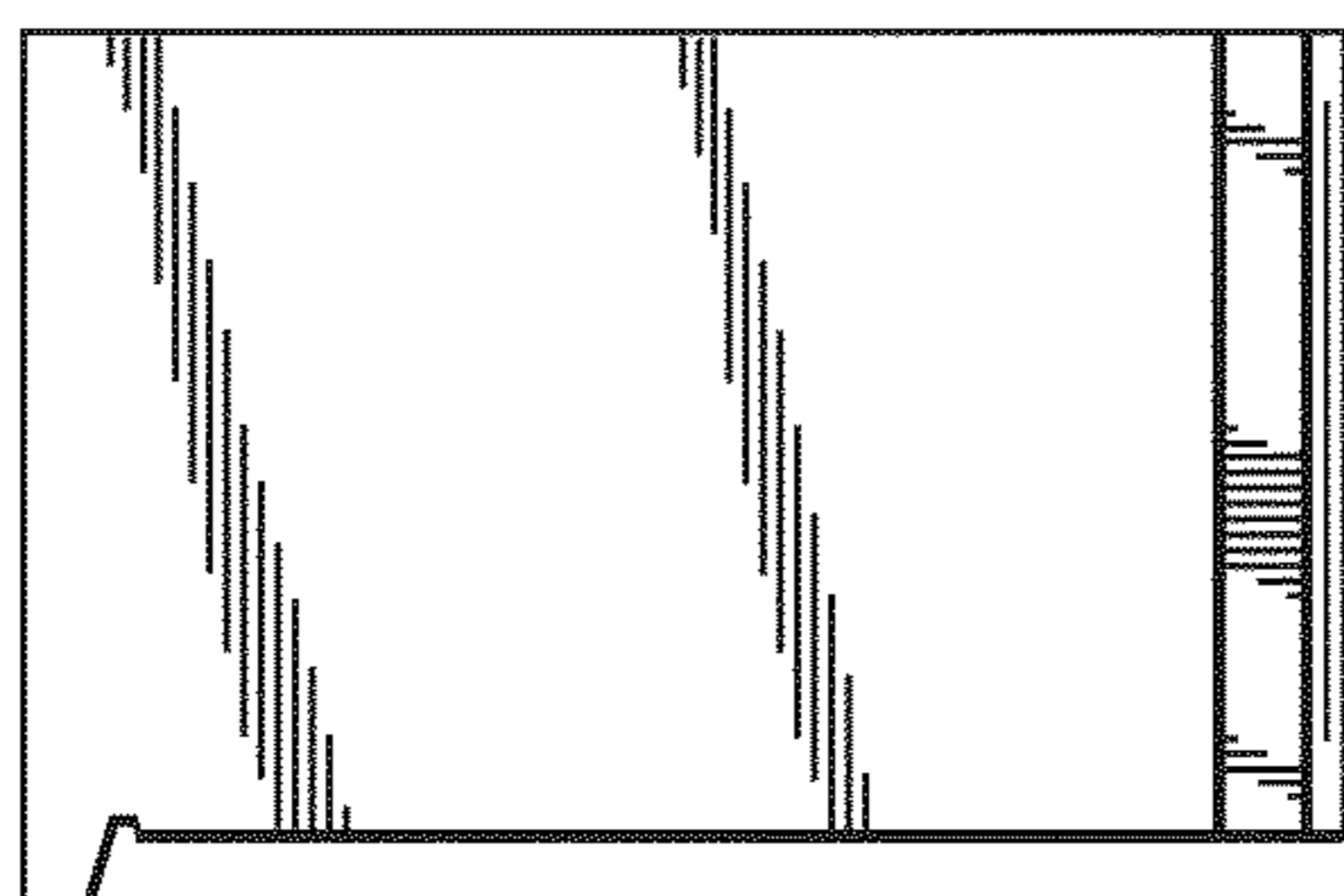
*Fig. 4*



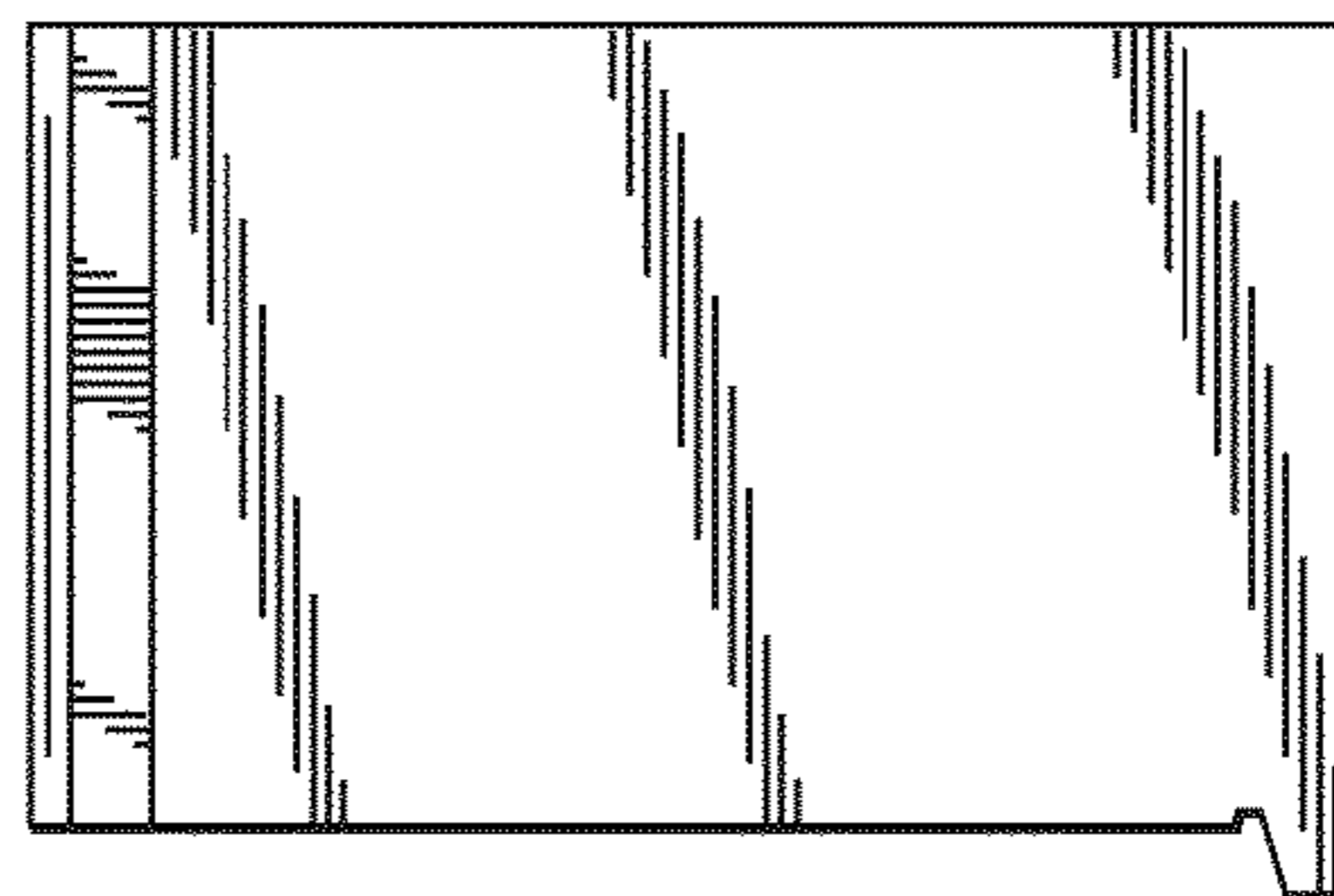
*Fig. 5*



*Fig. 6*



*Fig. 7*



*Fig. 8*