



US00D689195S

(12) **United States Design Patent**
Nelsen

(10) **Patent No.:** **US D689,195 S**

(45) **Date of Patent:** **** Sep. 3, 2013**

(54) **SURGICAL DEVICE**

(75) Inventor: **Daniel Joseph Nelsen**, Central Falls, RI
(US)

(73) Assignee: **P Tech, LLC**, Effingham, IL (US)

(**) Term: **14 Years**

(21) Appl. No.: **29/399,991**

(22) Filed: **Aug. 22, 2011**

(51) **LOC (9) Cl.** **24-01**

(52) **U.S. Cl.**
USPC **D24/232**; D24/107

(58) **Field of Classification Search**

USPC D24/107, 138, 144, 169–170, 185–186,
D24/232, 167, 231; D13/173, 177, 184,
D13/199, 112, 122, 162; D14/203.1, 349;
D10/80, 103, 125; D16/246; 600/300;
361/230; 606/34–35, 169, 171; 604/22
See application file for complete search history.

(56) **References Cited**

U.S. PATENT DOCUMENTS

D244,385 S * 5/1977 McCord D24/232
D330,768 S * 11/1992 Yoshikawa et al. D24/165
D376,207 S * 12/1996 Buczek et al. D24/172
D402,680 S * 12/1998 Gotham et al. D16/246
5,897,569 A * 4/1999 Kellogg et al. 606/169
6,537,291 B2 * 3/2003 Friedman et al. 606/169

6,626,926 B2 * 9/2003 Friedman et al. 606/169
D535,745 S * 1/2007 Hayamizu D24/138
D565,178 S * 3/2008 Tanaka D24/138
D582,044 S * 12/2008 Hacker et al. D24/170
7,476,233 B1 * 1/2009 Wiener et al. 606/169
7,749,240 B2 * 7/2010 Takahashi et al. 606/169
7,821,143 B2 * 10/2010 Wiener 606/169
D647,522 S * 10/2011 Paul D14/349

* cited by examiner

Primary Examiner — Wan Laymon

(74) *Attorney, Agent, or Firm* — Armstrong Teasdale LLP

(57) **CLAIM**

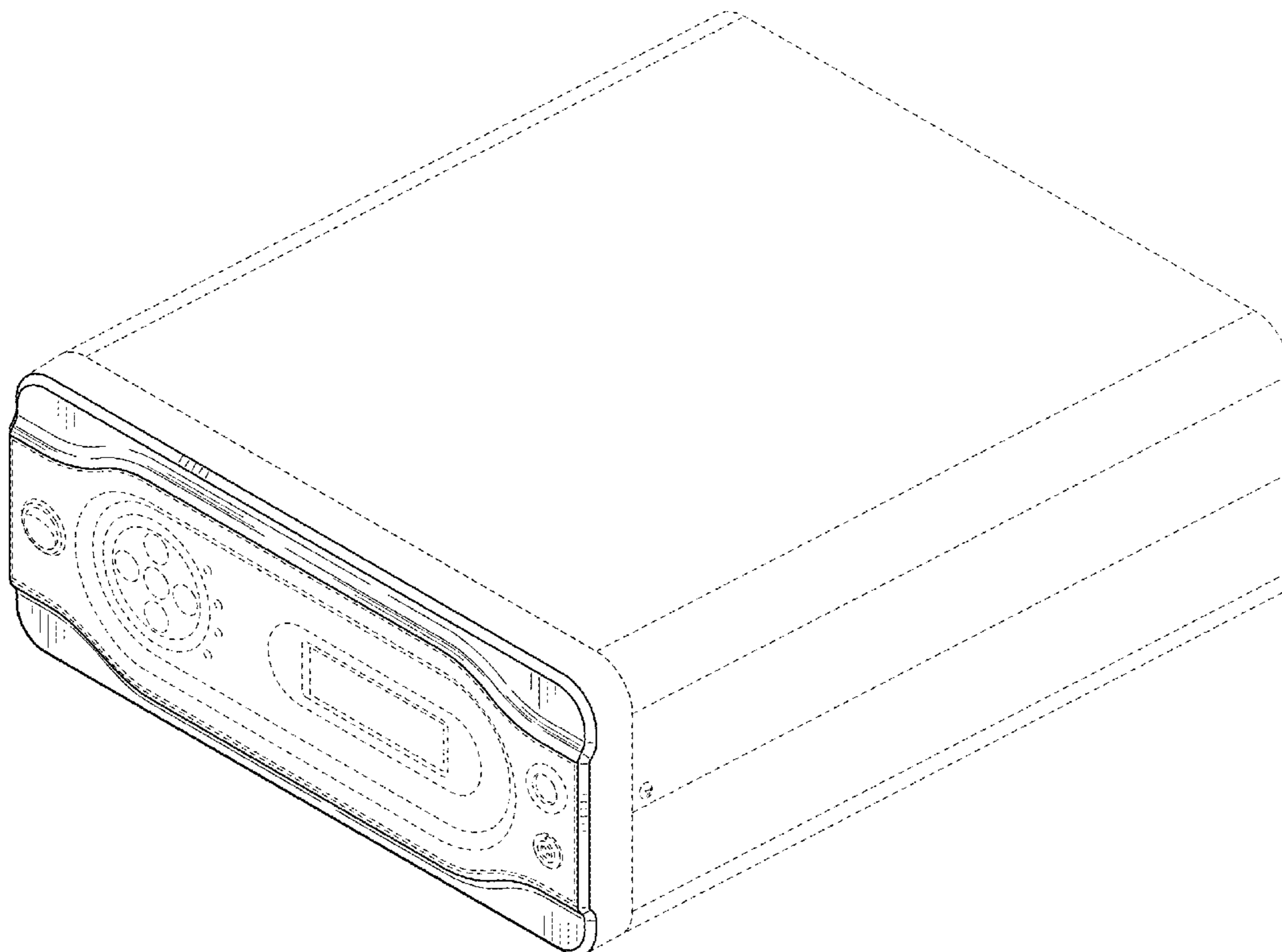
The ornamental design for a surgical device, as shown and described.

DESCRIPTION

FIG. 1 is a front perspective of a surgical device according to my new design;
FIG. 2 is a front elevational view thereof;
FIG. 3 is a rear elevational view thereof;
FIG. 4 is a right side elevational view thereof;
FIG. 5 is a left side elevational view thereof;
FIG. 6 is a top plan view thereof; and,
FIG. 7 is a bottom plan view thereof.

The broken lines immediately adjacent the claimed areas in FIGS. 1-7 represent the bounds of the claimed design while all other broken lines represent environmental structure and are for illustrative purposes only; the broken lines form no part of the claimed design.

1 Claim, 5 Drawing Sheets



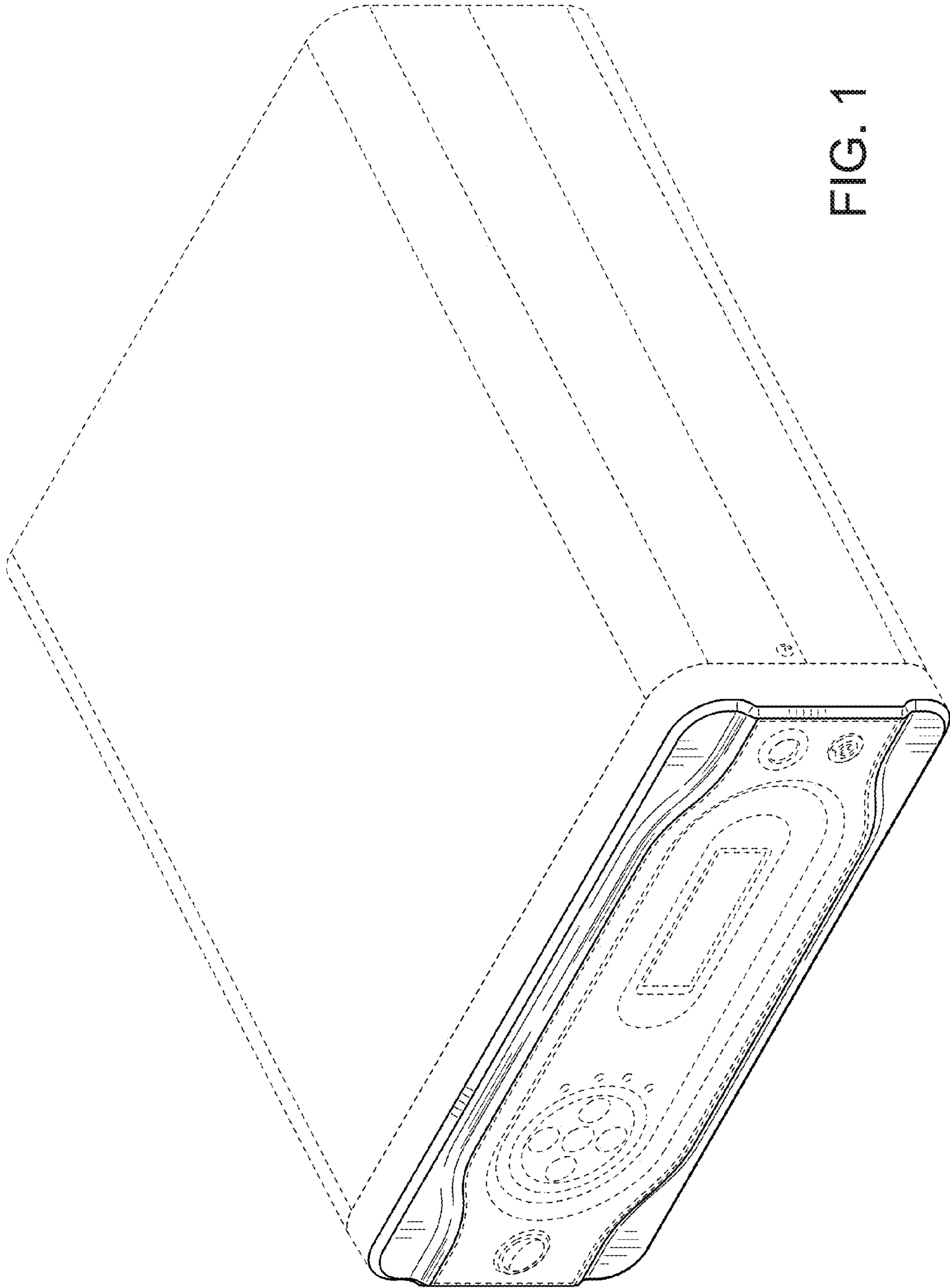


FIG. 1

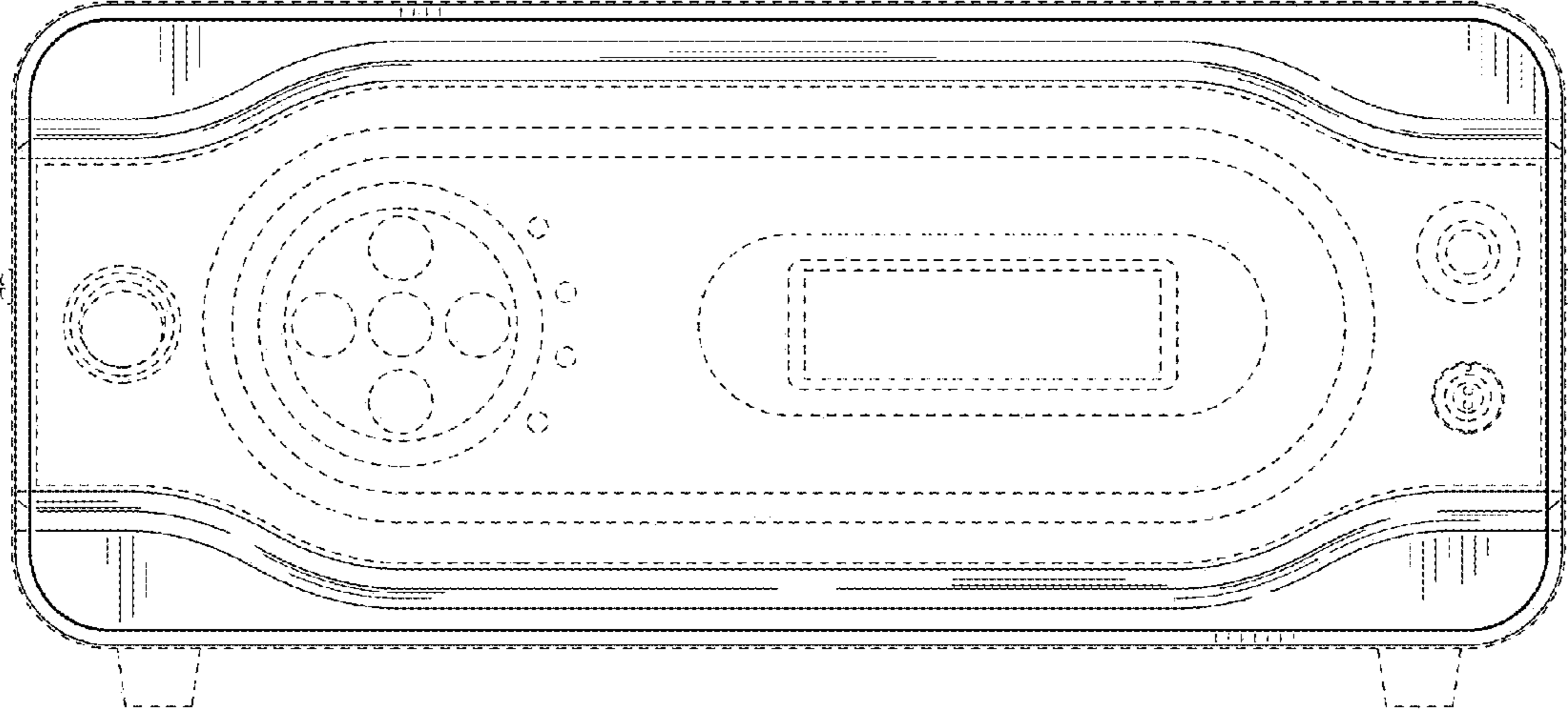


FIG. 2

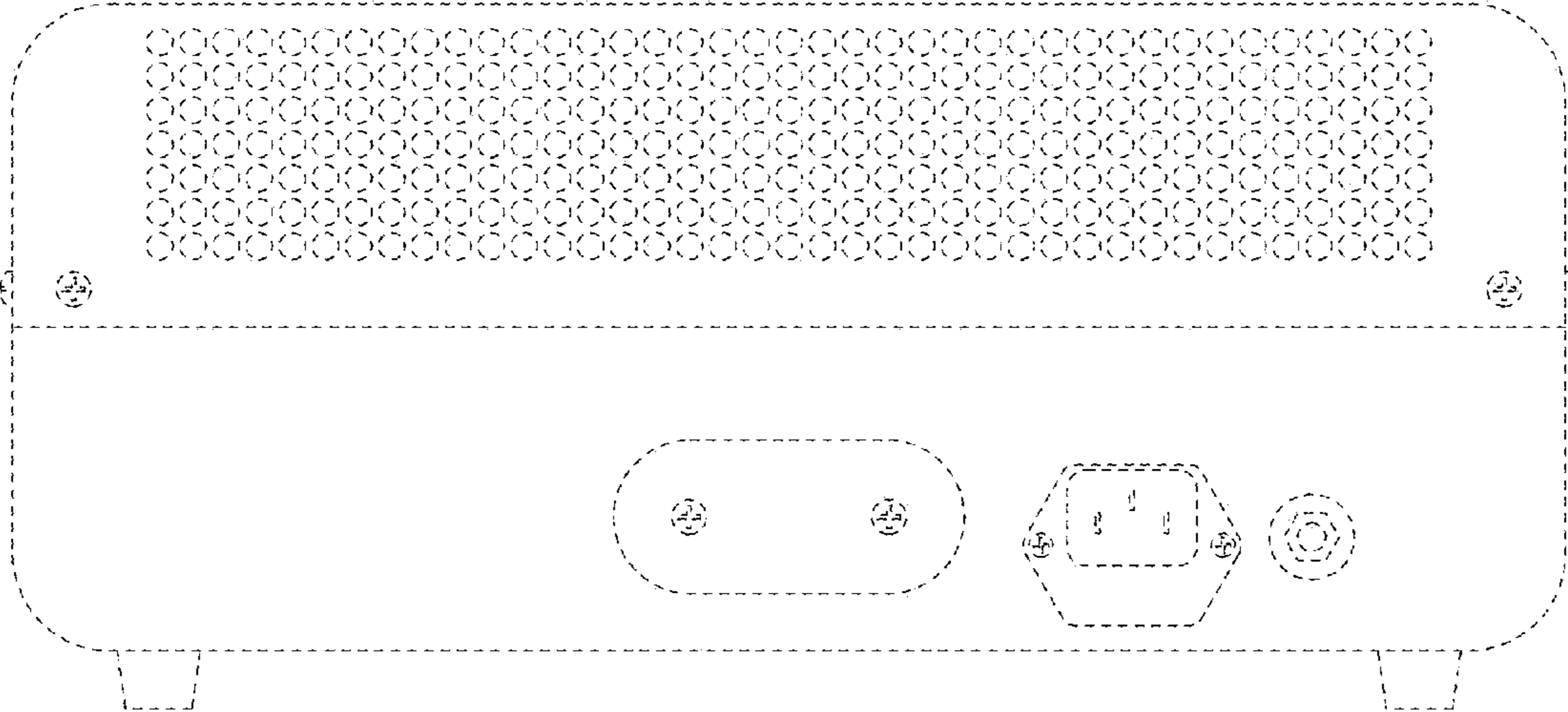


FIG. 3

FIG. 4

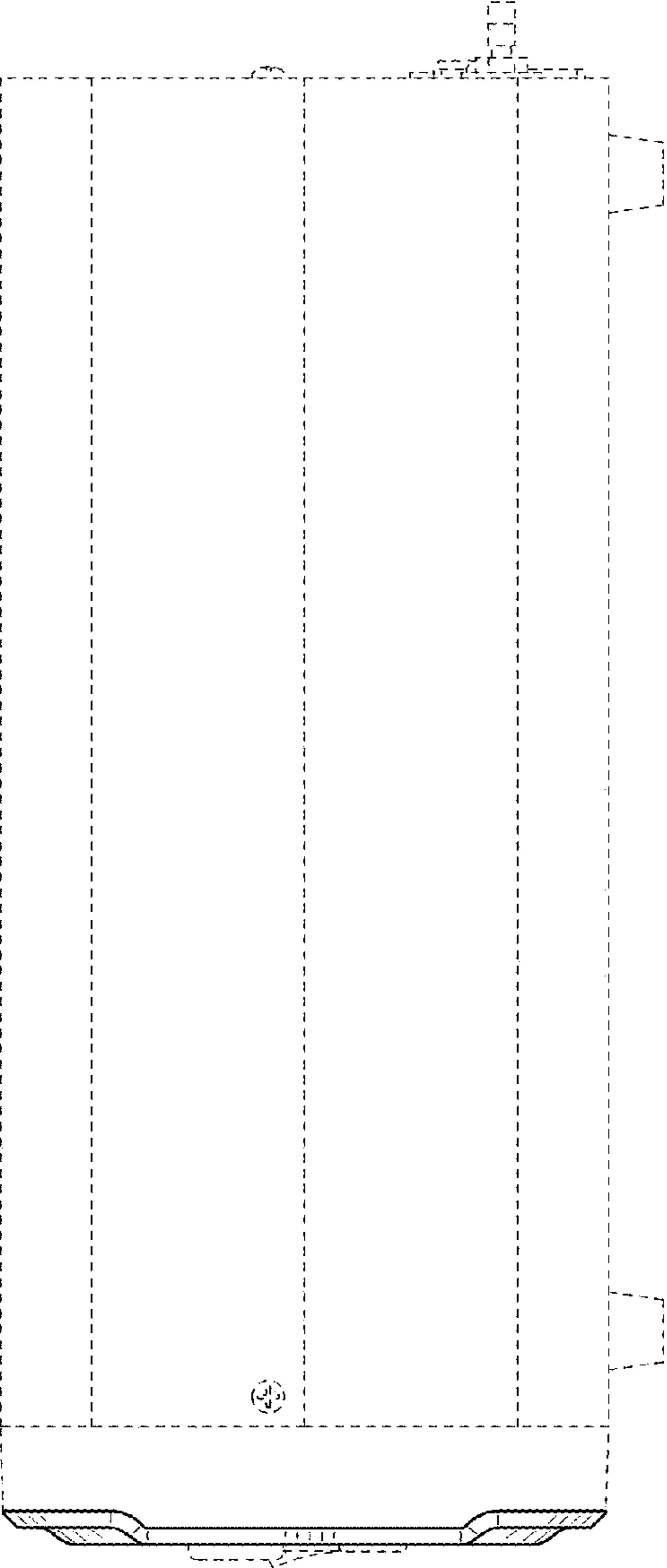
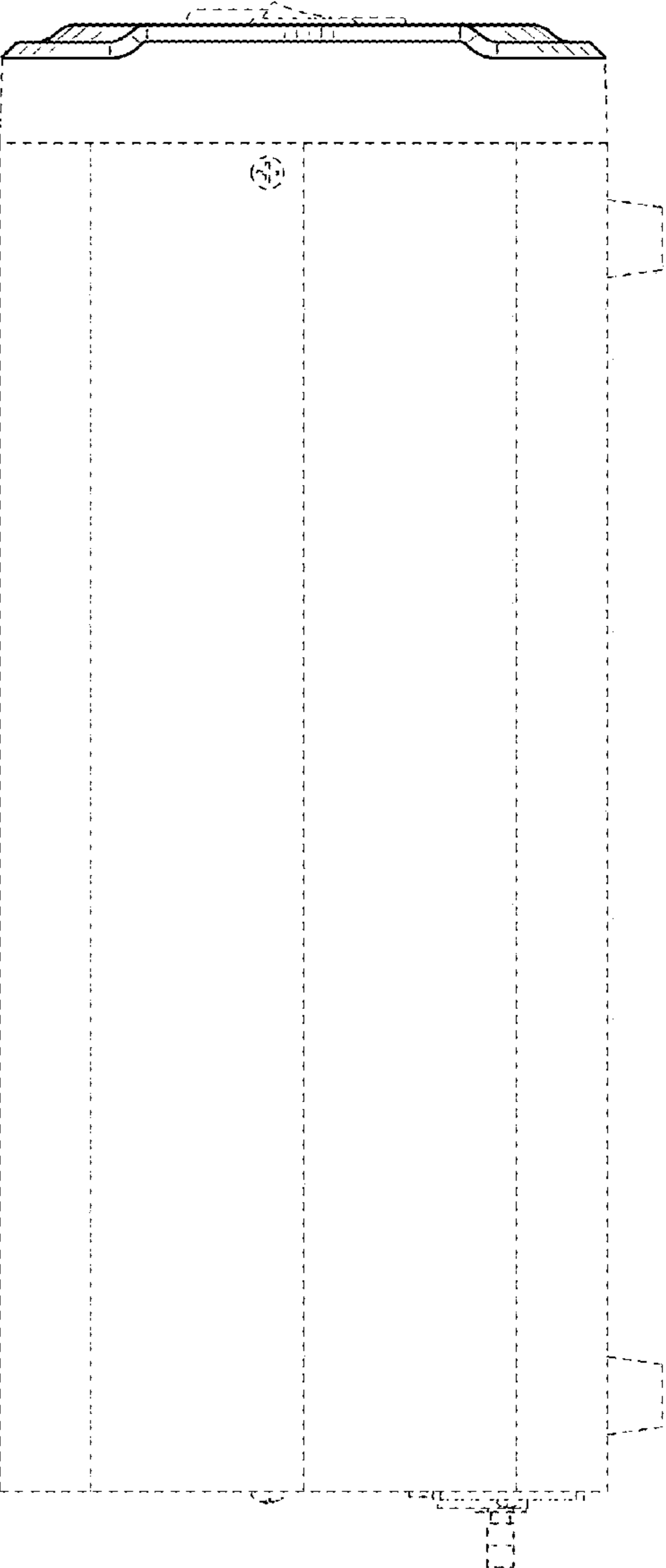


FIG. 5



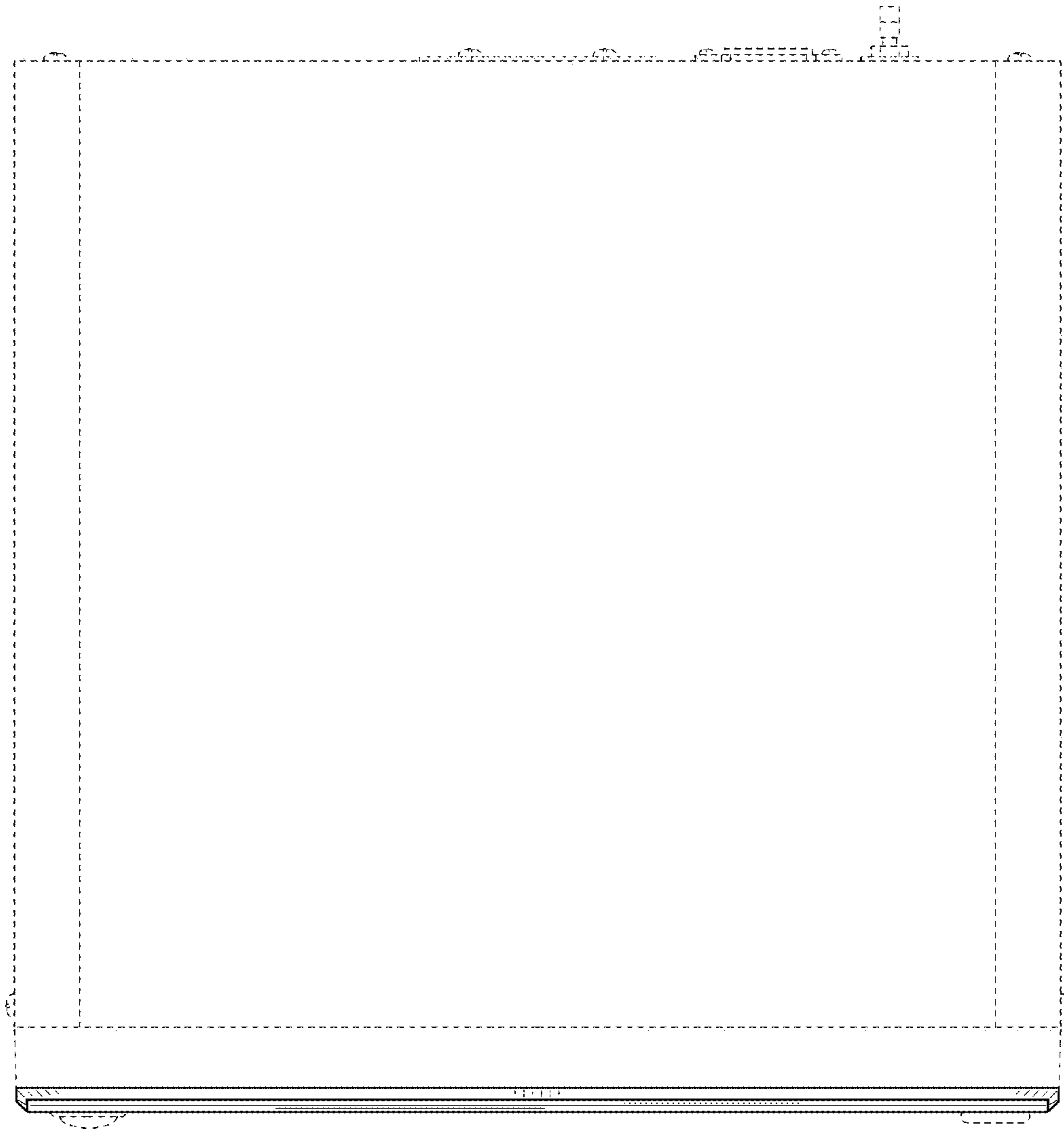


FIG. 6

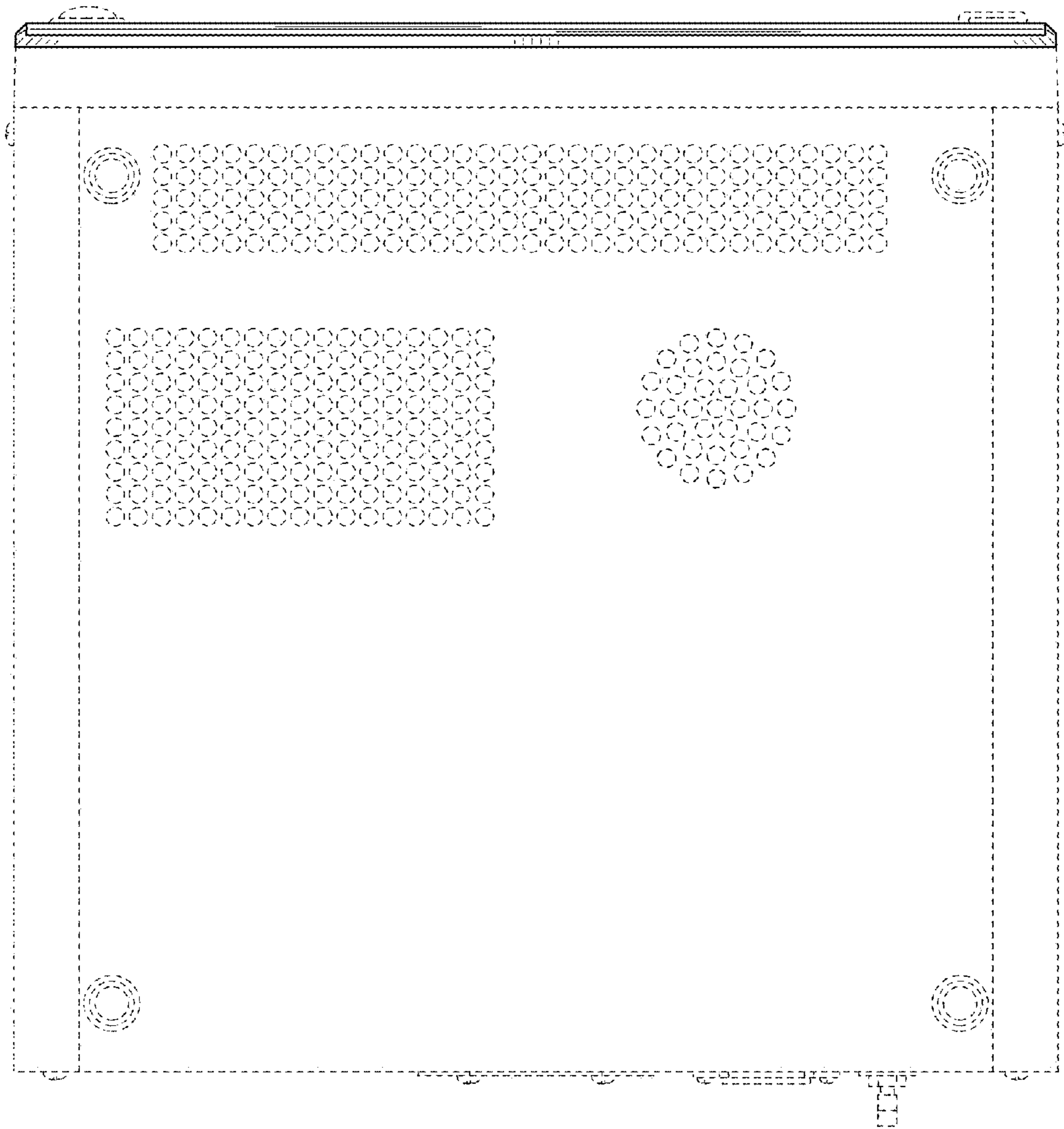


FIG. 7