



US00D689194S

(12) **United States Design Patent**
Vivenzio et al.

(10) **Patent No.:** **US D689,194 S**

(45) **Date of Patent:** **** Sep. 3, 2013**

(54) **MEDICAL-STAND BINS**

(75) Inventors: **Robert L. Vivenzio**, Auburn, NY (US);
Alisa R. Salibra, Fayetteville, NY (US);
Ian K. Edwards, Skaneateles, NY (US);
Jeffrey J. Perkins, Tully, NY (US);
Raymond A. Lia, Auburn, NY (US);
Thaddeus J. Wawro, Auburn, NY (US);
Scott A. Martin, Warners, NY (US);
Michael T. McMahon, Syracuse, NY
(US); **Scott W. Osiecki**, Skaneateles, NY
(US); **Donwoong Kang**, Skaneateles,
NY (US)

(73) Assignee: **Welch Allyn, Inc.**, Skaneateles Falls, NY
(US)

(**) Term: **14 Years**

(21) Appl. No.: **29/358,198**

(22) Filed: **Mar. 24, 2010**

(51) **LOC (9) Cl.** **24-01**

(52) **U.S. Cl.**
USPC **D24/229**

(58) **Field of Classification Search**
USPC D24/165, 166, 185; D3/304–308,
D3/314–315; D19/75, 78; D6/510, 553,
D6/525, 566; D34/1, 5, 9; 206/216; 439/534;
D32/3; D12/130, 132; 248/327; 135/67;
211/190; 224/407
See application file for complete search history.

(56) **References Cited**

U.S. PATENT DOCUMENTS

D244,945	S	*	7/1977	Cuccio	D24/166
D261,804	S	*	11/1981	Foster et al.	D24/185
4,491,257	A	*	1/1985	Ingles	224/407
4,662,524	A	*	5/1987	Fullenkamp et al.	211/190
4,800,911	A	*	1/1989	Endres et al.	135/67
5,108,064	A	*	4/1992	Kreuzer	248/327
D333,114	S	*	2/1993	Taylor	D3/314

D336,701	S	*	6/1993	Waterston	D34/1
D364,039	S	*	11/1995	Kruger	D3/315
D367,111	S	*	2/1996	Pearl et al.	D24/166
D426,575	S	*	6/2000	Harris et al.	D19/75
D438,043	S	*	2/2001	Hofman	D6/566
D482,555	S	*	11/2003	Johansson et al.	D6/525
D487,825	S	*	3/2004	Kim et al.	D32/3
D522,751	S	*	6/2006	Irwin et al.	D3/315
D541,531	S	*	5/2007	Leao	D3/308
D550,459	S	*	9/2007	Eskandry	D3/305
D550,963	S	*	9/2007	Eskandry	D3/307
D563,136	S	*	3/2008	Kramer	D6/553

(Continued)

Primary Examiner — T. Chase Nelson

Assistant Examiner — Mark Cavanna

(57) **CLAIM**

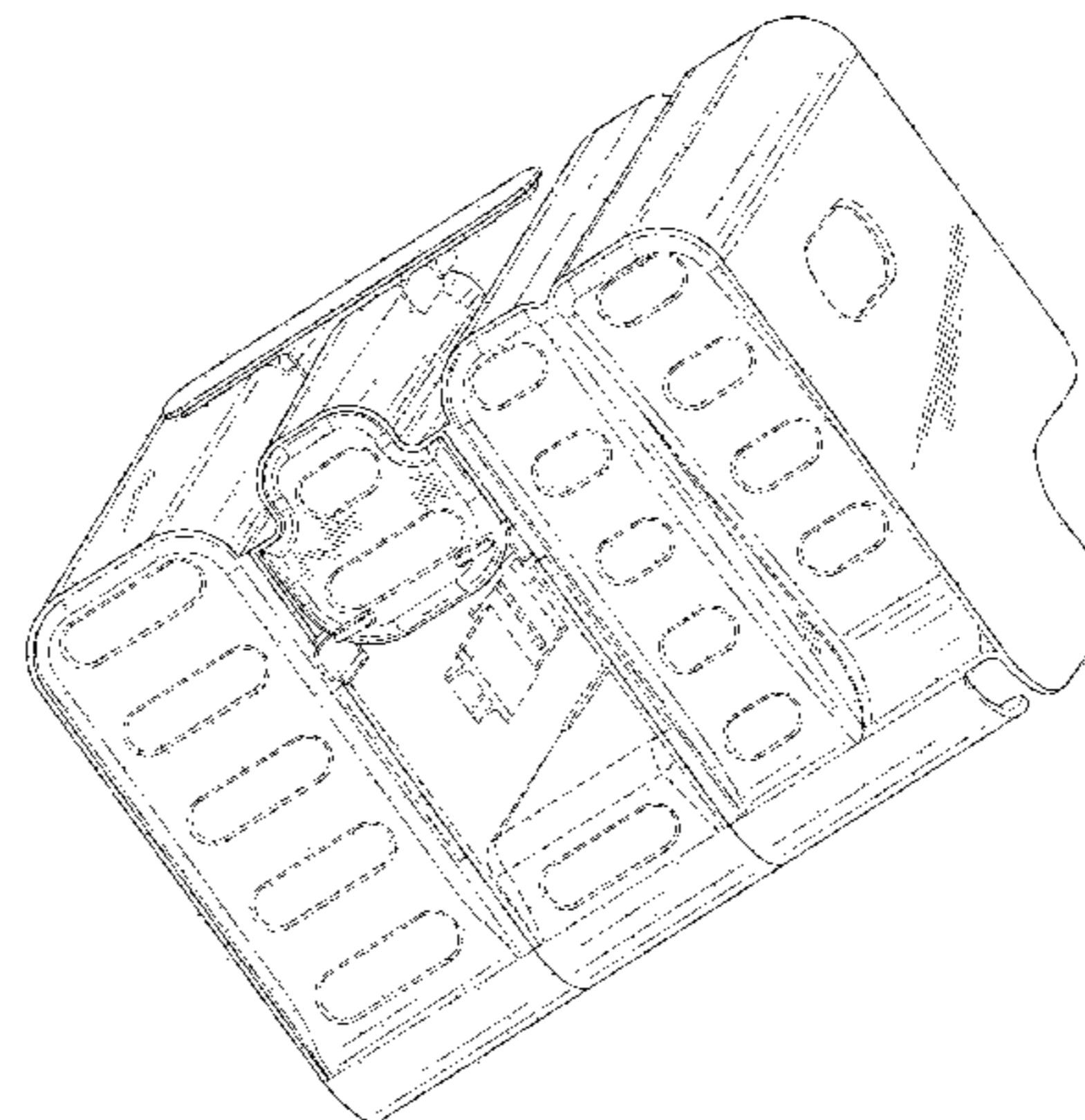
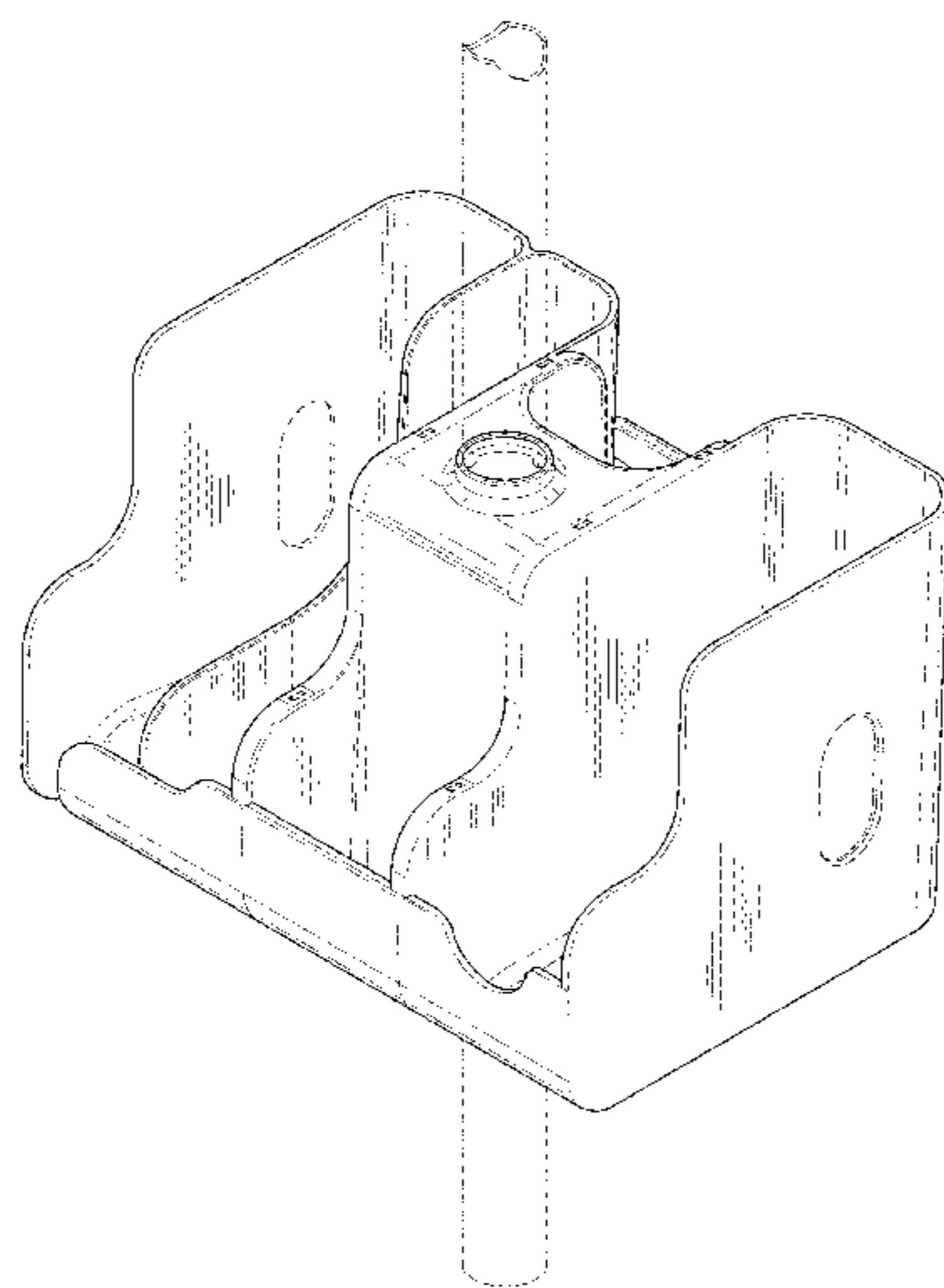
The ornamental design for medical-stand bins, as shown and described.

DESCRIPTION

FIG. 1 is a top perspective view of medical-stand bins according to an embodiment of the present invention;
FIG. 2 is a bottom perspective view of the medical-stand bins shown in FIG. 1;
FIG. 3 is a front view of the medical-stand bins shown in FIG. 1;
FIG. 4 is a right-side view of the medical-stand bins shown in FIG. 1;
FIG. 5 is a rear view of the medical-stand bins shown in FIG. 1;
FIG. 6 is a left-side view of the medical-stand bins shown in FIG. 1;
FIG. 7 is a top view of the medical-stand bins shown in FIG. 1; and,
FIG. 8 is a bottom view of the medical-stand bins shown in FIG. 1.

The broken lines are included for the purpose of illustrating unclaimed portions of the medical-stand bins and form no part of the claimed design.

1 Claim, 8 Drawing Sheets



US D689,194 S

Page 2

(56)

References Cited

U.S. PATENT DOCUMENTS				D589,728 S *	4/2009	Shaha et al.	D6/510
D566,844 S *	4/2008	Inose	D24/165	D594,229 S *	6/2009	Barkdoll et al.	D3/304
D584,468 S *	1/2009	Liao	D34/9	7,963,797 B2 *	6/2011	Knappe	439/534
				2006/0027469 A1 *	2/2006	Irwin et al.	206/216

* cited by examiner

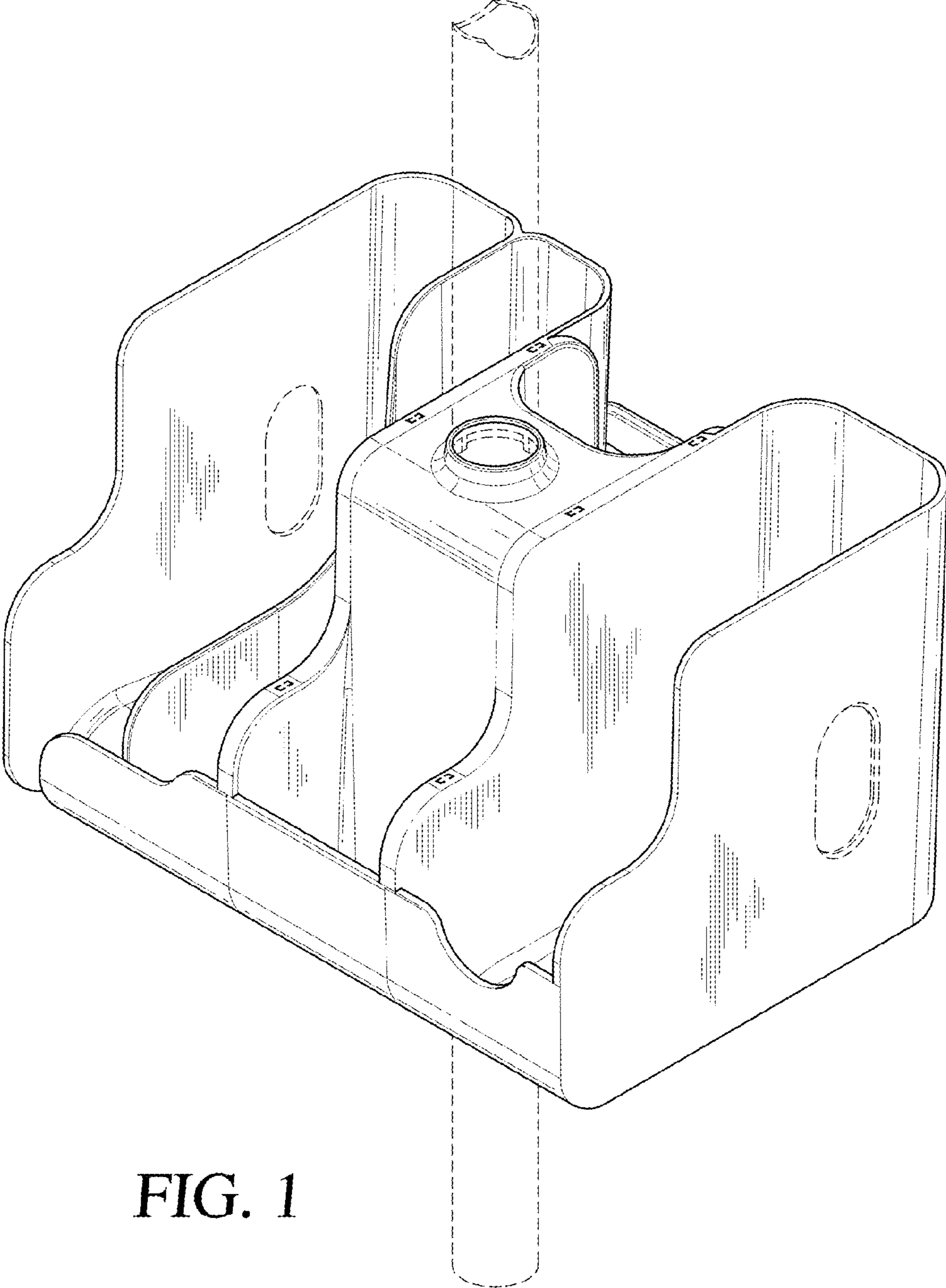


FIG. 1

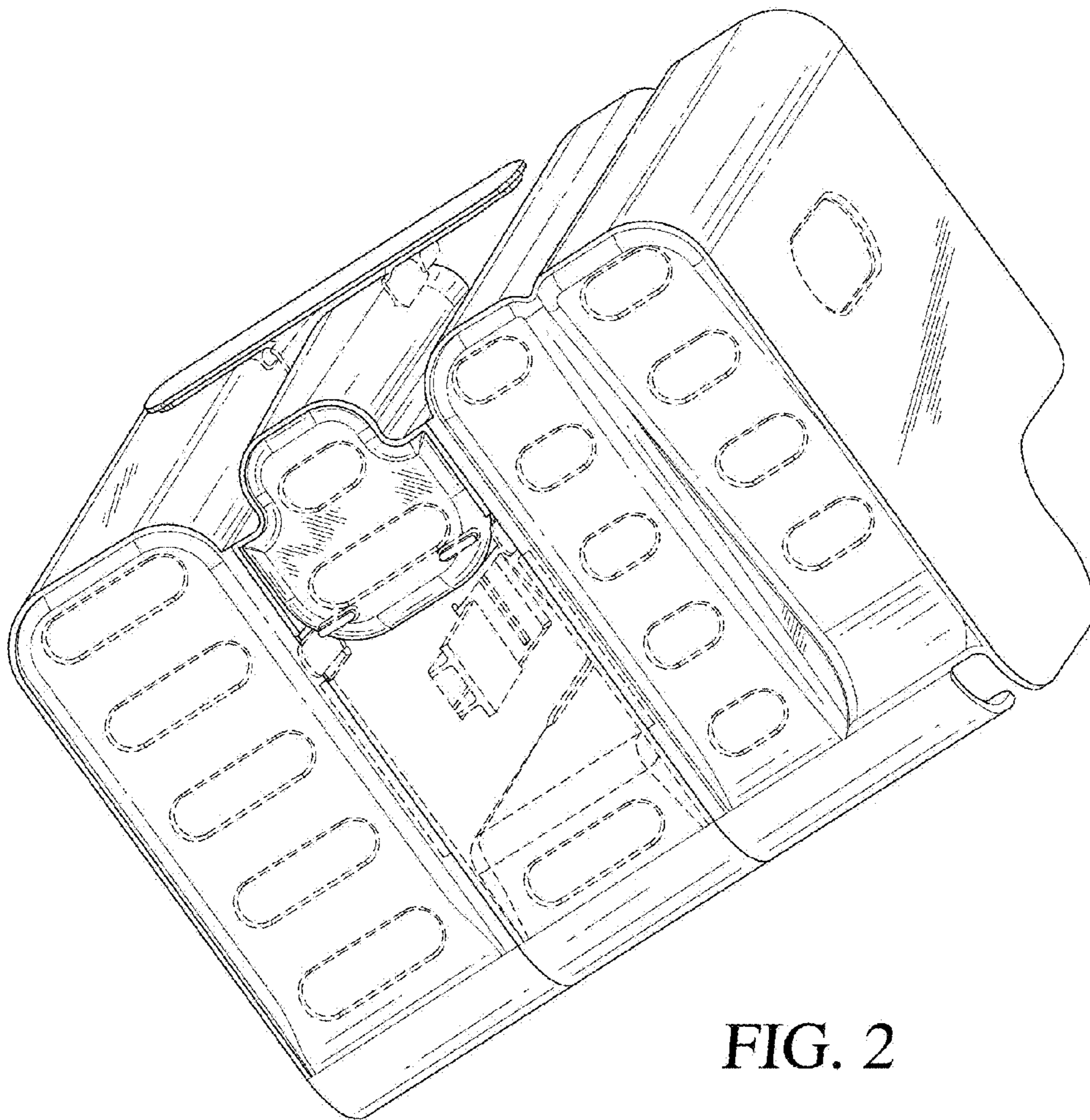


FIG. 2

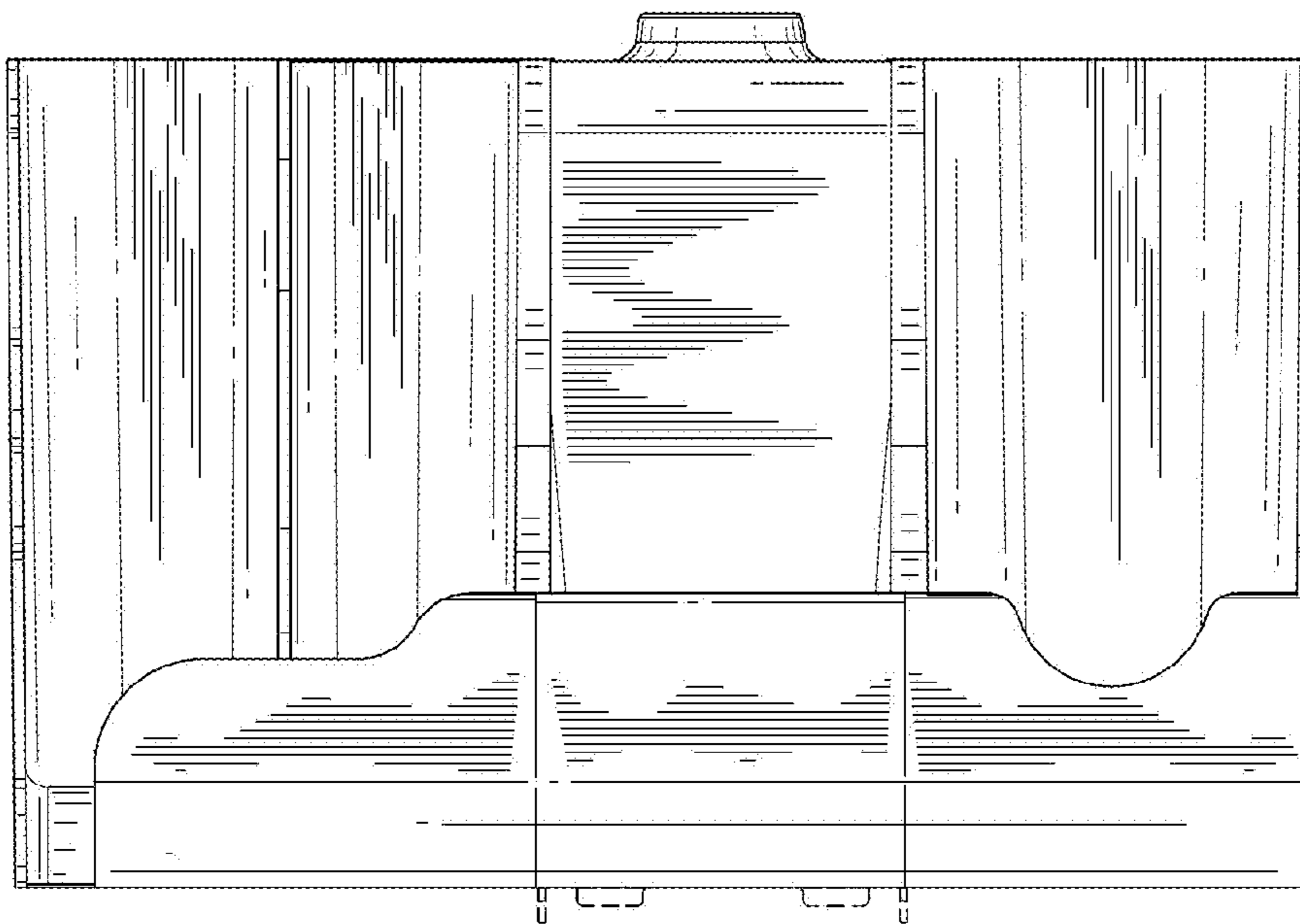


FIG. 3

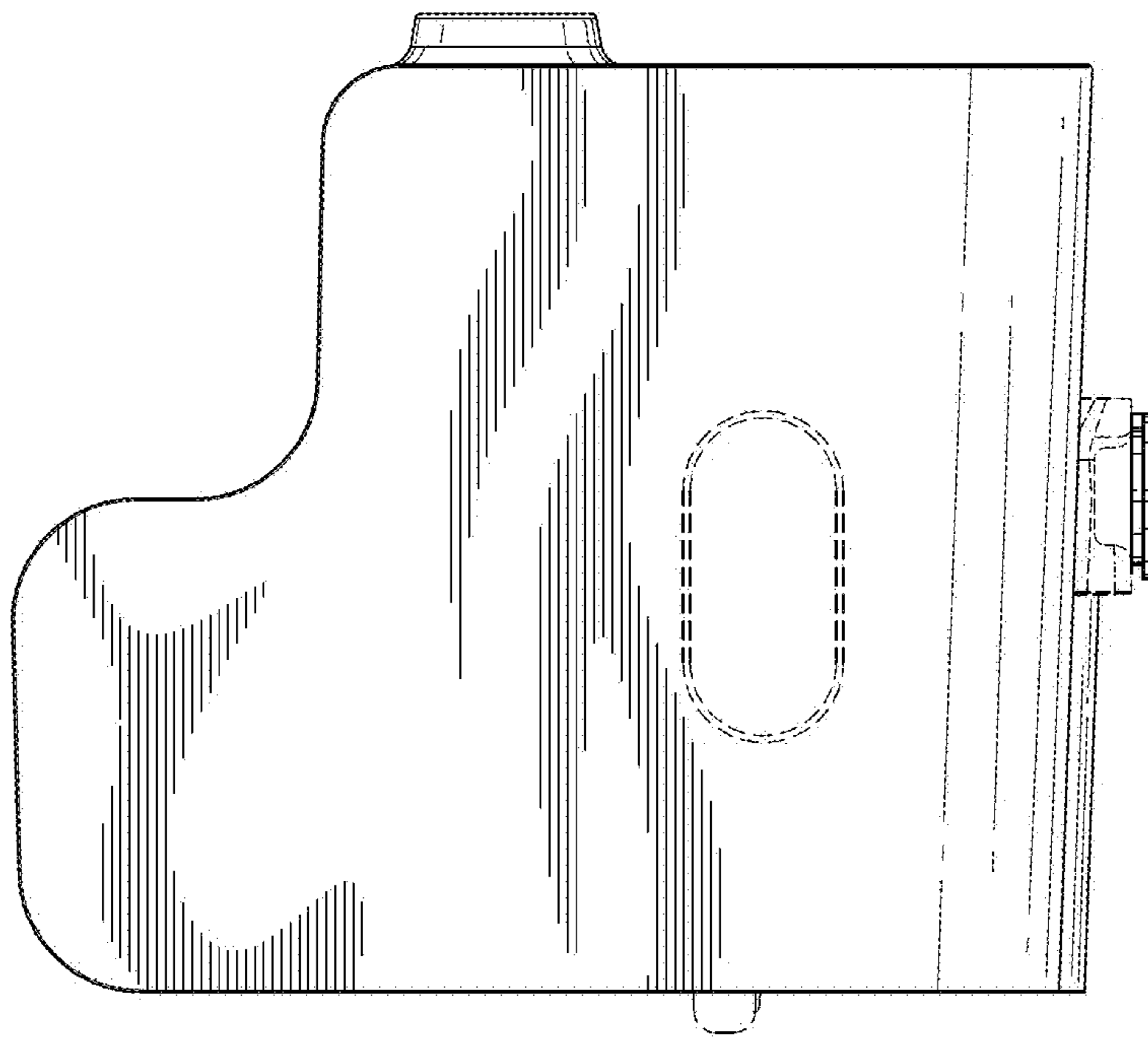


FIG. 4

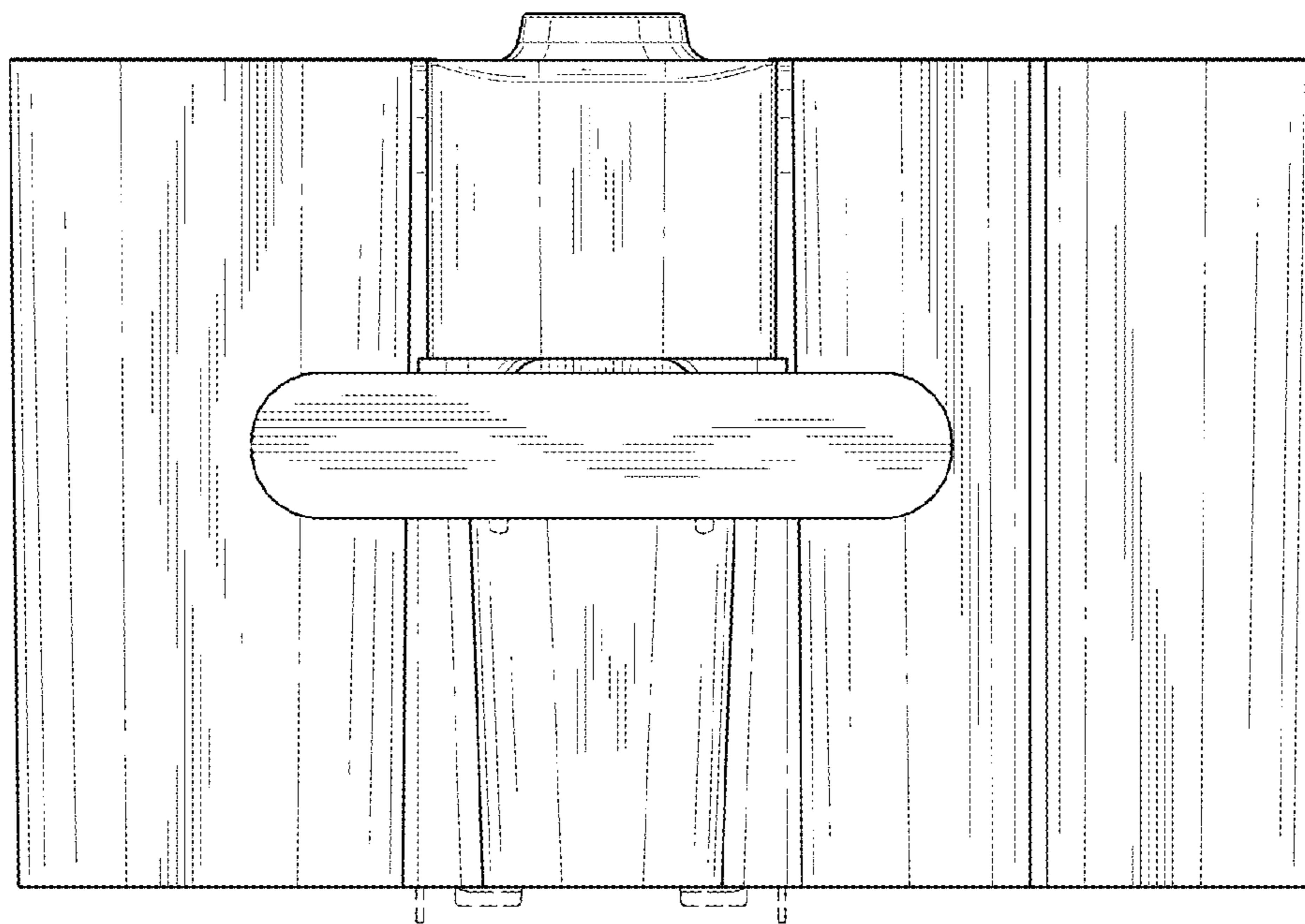


FIG. 5

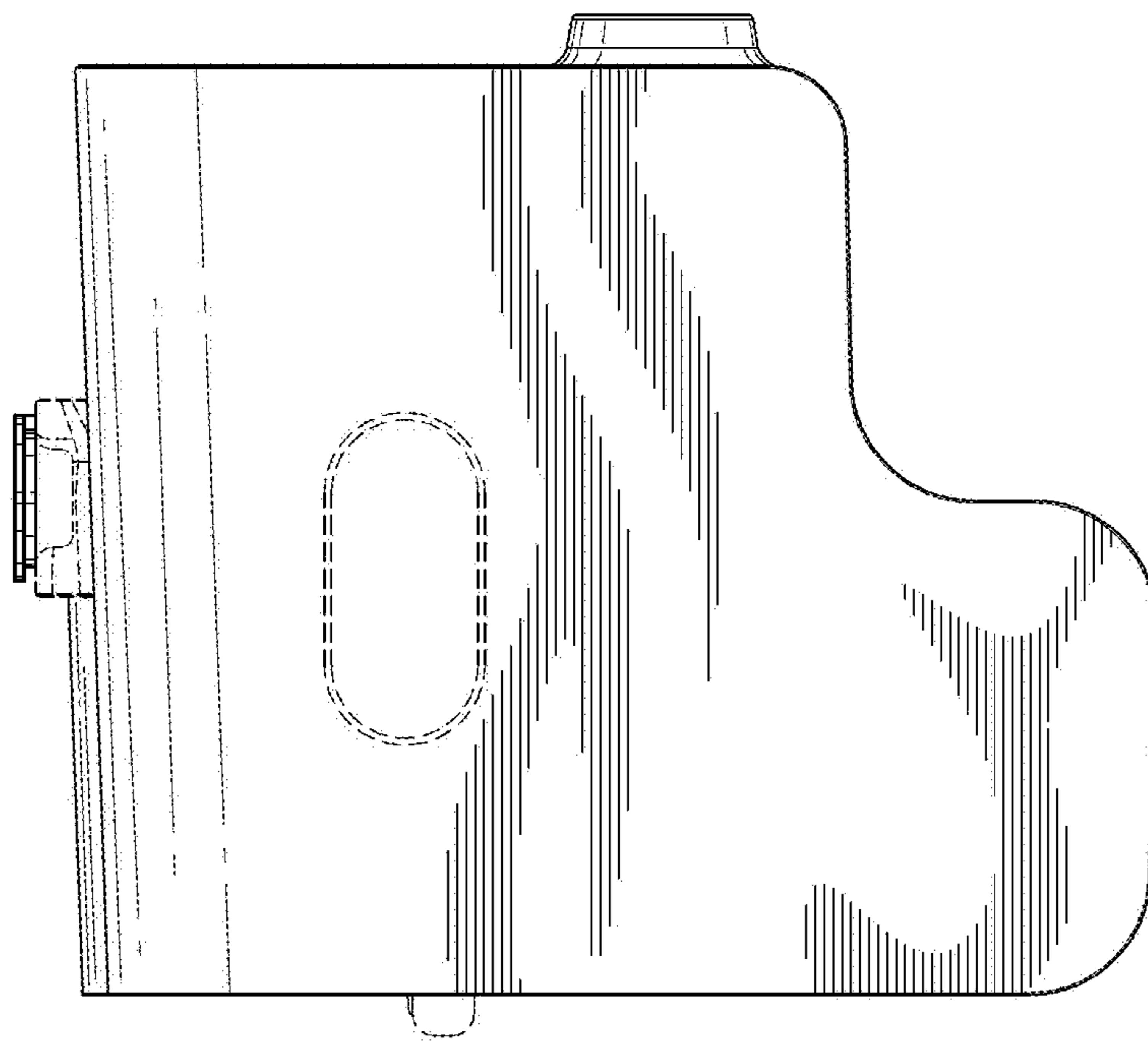


FIG. 6

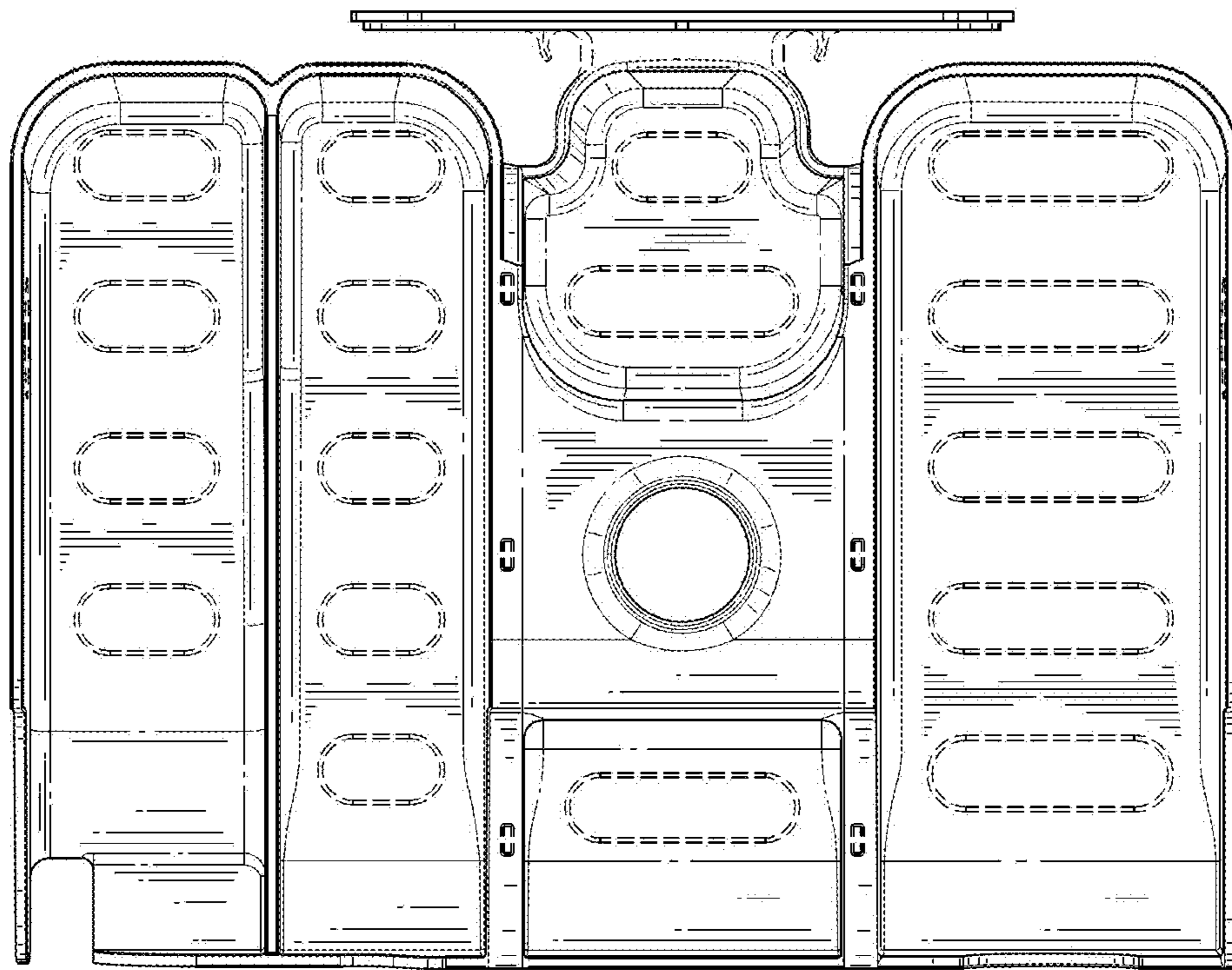


FIG. 7

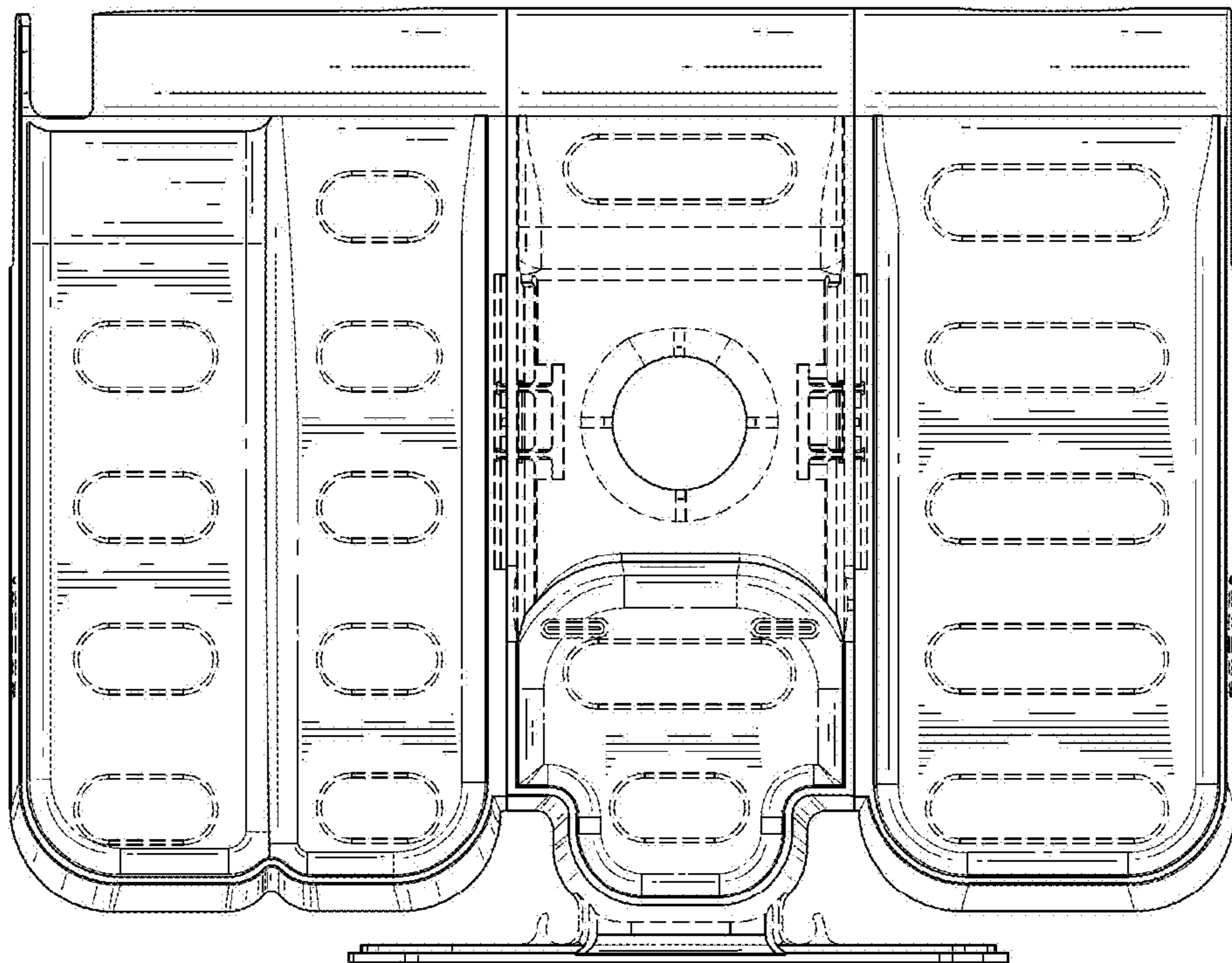


FIG. 8