



US00D689193S

(12) **United States Design Patent**
Shinohara et al.

(10) **Patent No.:** **US D689,193 S**
(45) **Date of Patent:** **** Sep. 3, 2013**

(54) **BIOCHEMICAL ANALYZER**
(71) Applicant: **Panasonic Corporation**, Kadoma (JP)
(72) Inventors: **Noriyuki Shinohara**, Ehime (JP);
Ryosuke Tani, Ehime (JP); **Tamotsu Senda**, Ehime (JP)
(73) Assignee: **Panasonic Corporation**, Osaka (JP)
(**) Term: **14 Years**

D665,917 S * 8/2012 TerMaat et al. D24/216
8,298,484 B2 * 10/2012 Takagi et al. 422/65
D680,657 S * 4/2013 Lee et al. D24/216
D682,441 S * 5/2013 Kim D24/216

FOREIGN PATENT DOCUMENTS

JP D1373600 S 11/2009
JP D1400049 S 11/2010
JP D1400050 S 11/2010
JP D1317903 S 12/2010

* cited by examiner

Primary Examiner — Anhdao Doan

(21) Appl. No.: **29/433,356**
(22) Filed: **Sep. 28, 2012**

(74) *Attorney, Agent, or Firm* — Brinks Hofer Gilson & Lione

(30) **Foreign Application Priority Data**

Apr. 2, 2012 (JP) 2012-007719

(51) **LOC (9) Cl.** **24-01**
(52) **U.S. Cl.**
USPC **D24/216**

(58) **Field of Classification Search**
USPC D24/216, 217, 219, 223, 231, 232,
D24/233, 107, 169, 186; D10/81; 422/62-65,
422/67, 500, 547; 436/43, 45, 47; 435/287.1,
435/287.3

See application file for complete search history.

(56) **References Cited**

U.S. PATENT DOCUMENTS

D467,349 S * 12/2002 Niedbala et al. D24/232
D474,280 S * 5/2003 Niedbala et al. D24/232
D561,349 S * 2/2008 Levin D24/232
D581,823 S 12/2008 Mori et al.
D607,569 S 1/2010 Yukikado et al.
D638,545 S * 5/2011 Okawa et al. D24/186
D644,544 S 9/2011 Yukikado
D644,546 S 9/2011 Yukikado
D647,209 S * 10/2011 Muller et al. D24/216

(57) **CLAIM**

We claim the ornamental design for a biochemical analyzer, as shown and described.

DESCRIPTION

FIG. 1 is a front perspective view of a biochemical analyzer of the present invention;

FIG. 2 is a rear perspective view thereof;

FIG. 3 is a front view thereof;

FIG. 4 is a rear view thereof;

FIG. 5 is a first side view thereof;

FIG. 6 is a second side view thereof;

FIG. 7 is a top view thereof;

FIG. 8 is a bottom view thereof; and,

FIG. 9 is a front perspective view thereof shown with the lid in an open position.

The broken lines shown represent unclaimed subject matter and form no part of the claimed design. Additionally, the unevenly broken lines in the drawings define the limits of the claimed design.

1 Claim, 9 Drawing Sheets

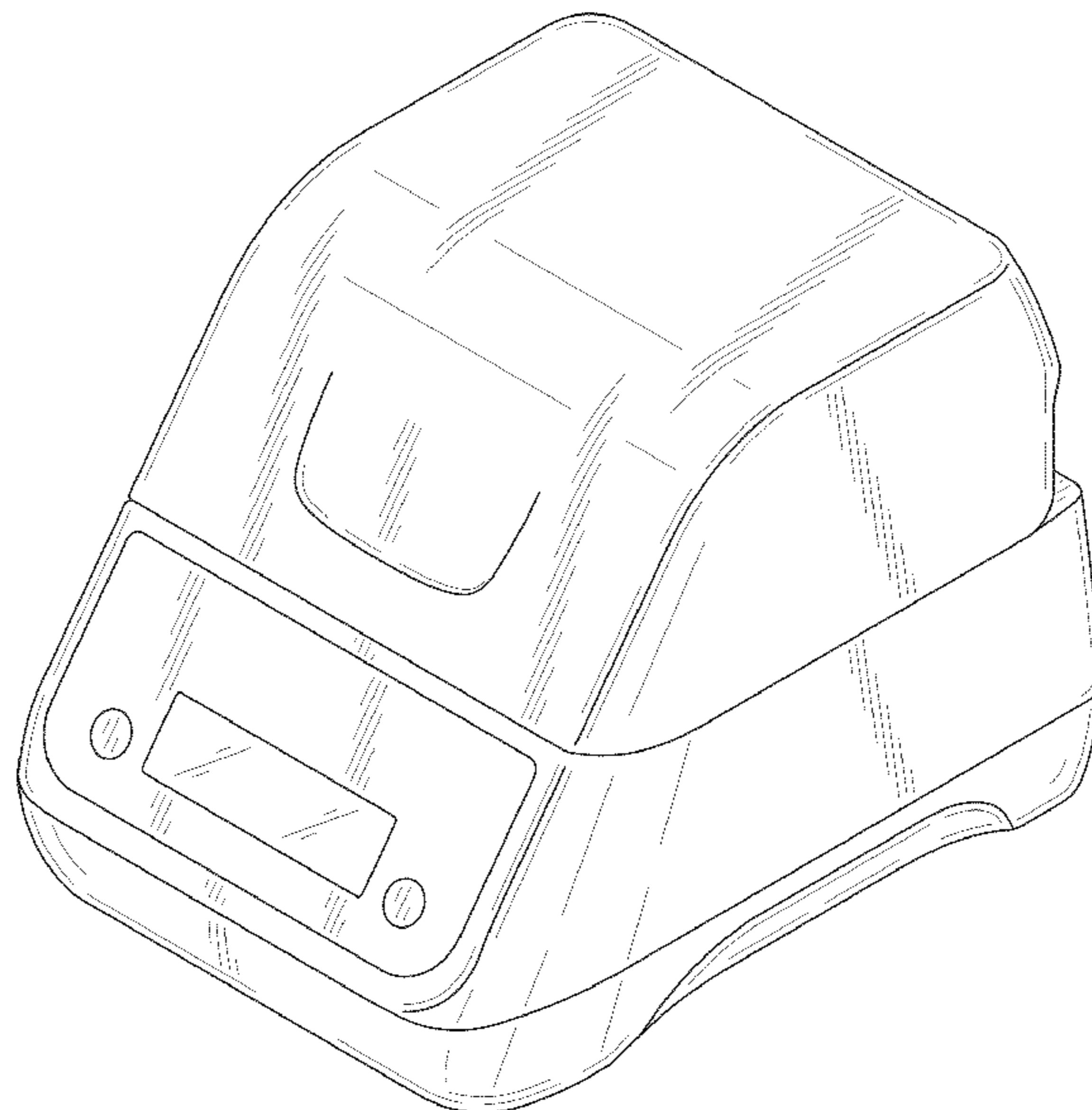


FIG. 1

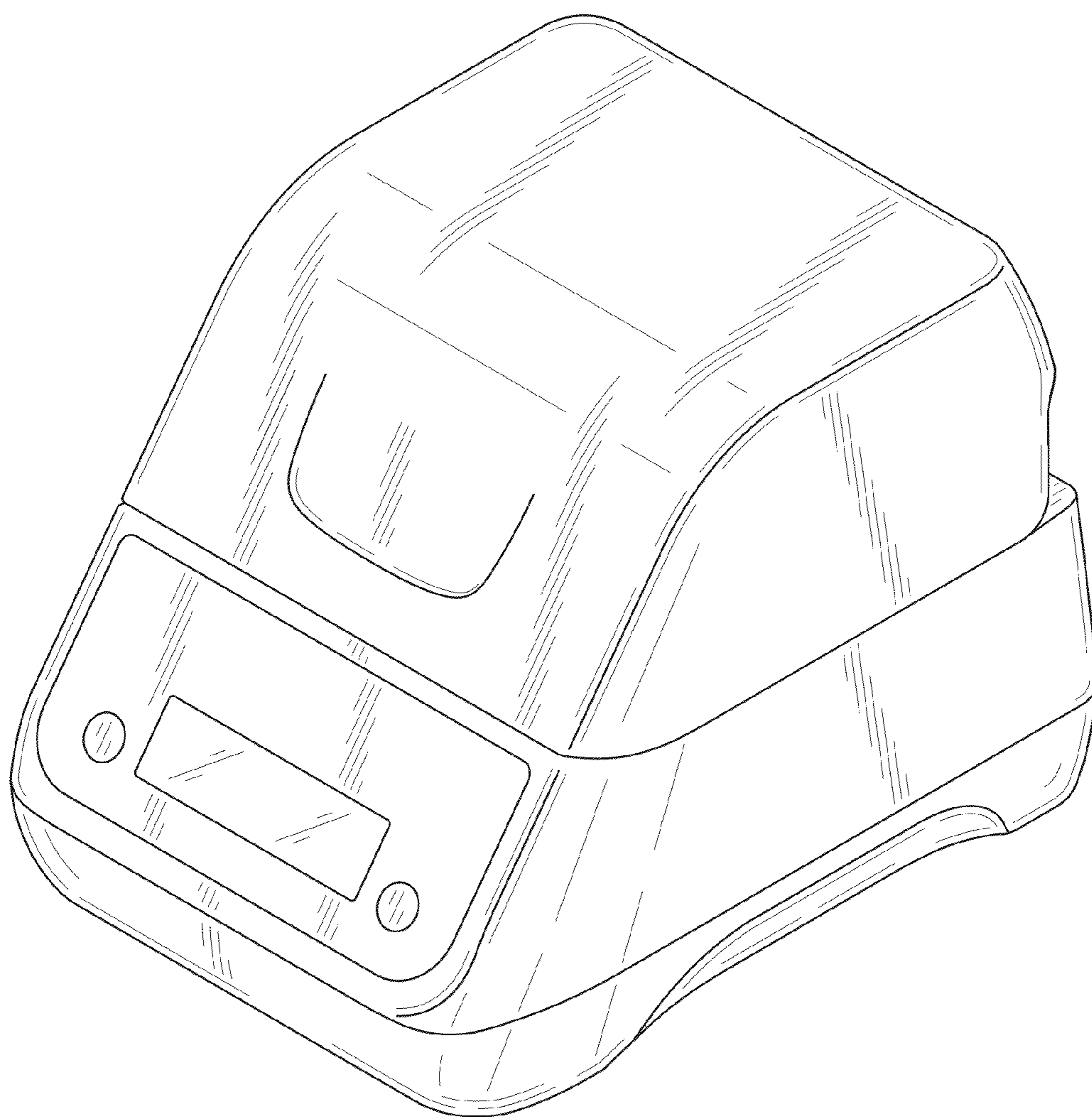


FIG. 2

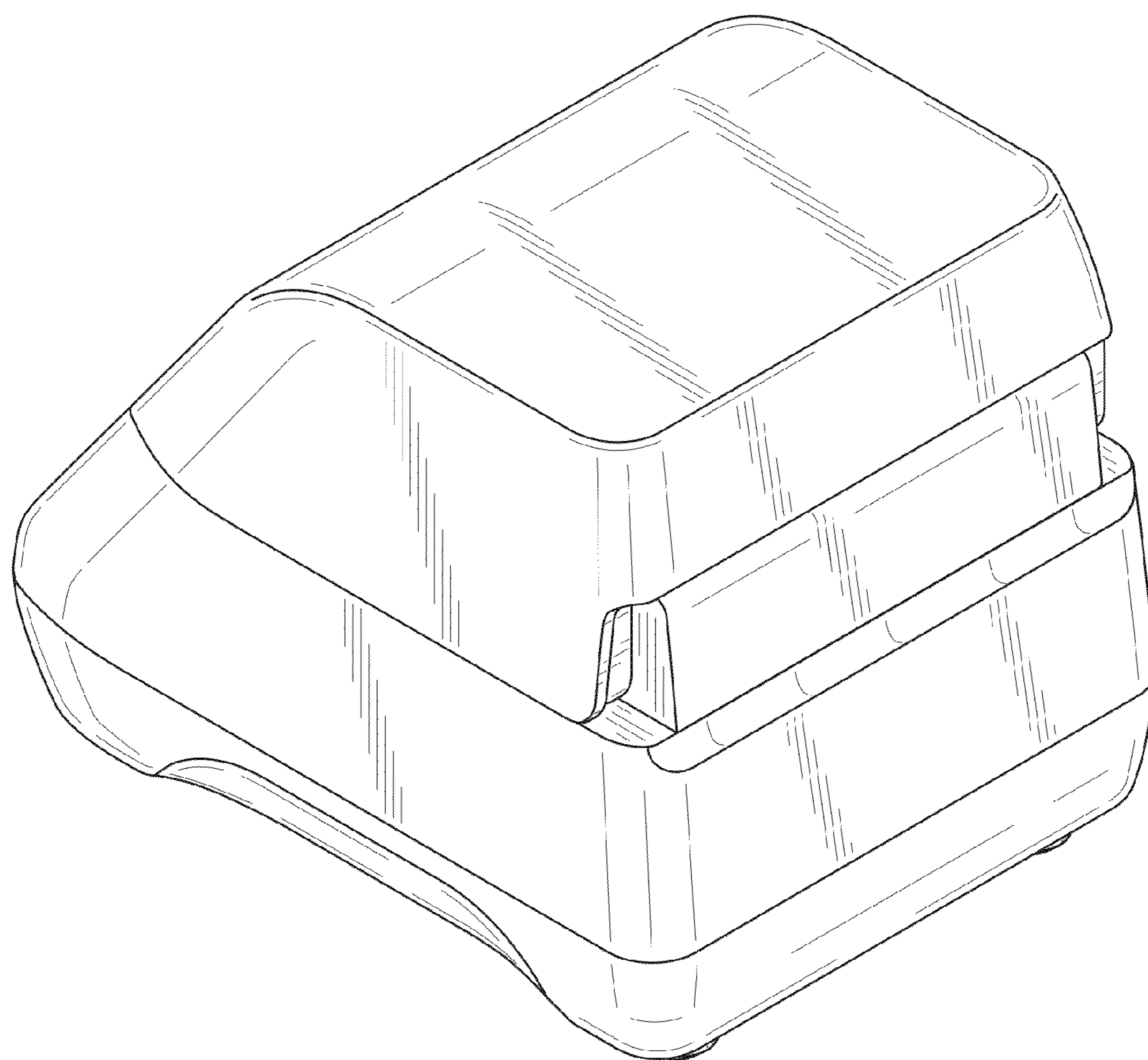


FIG. 3

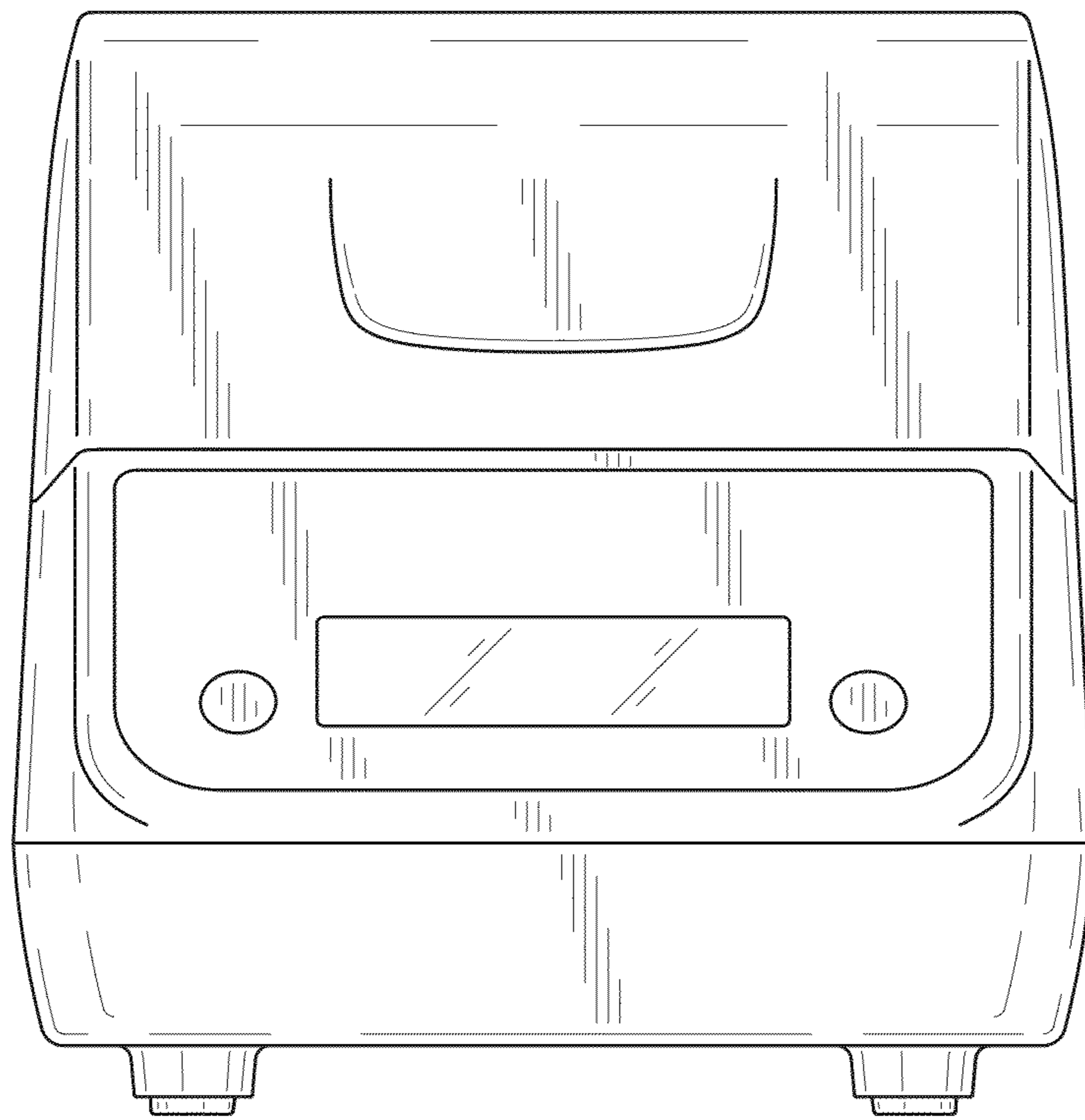


FIG. 4

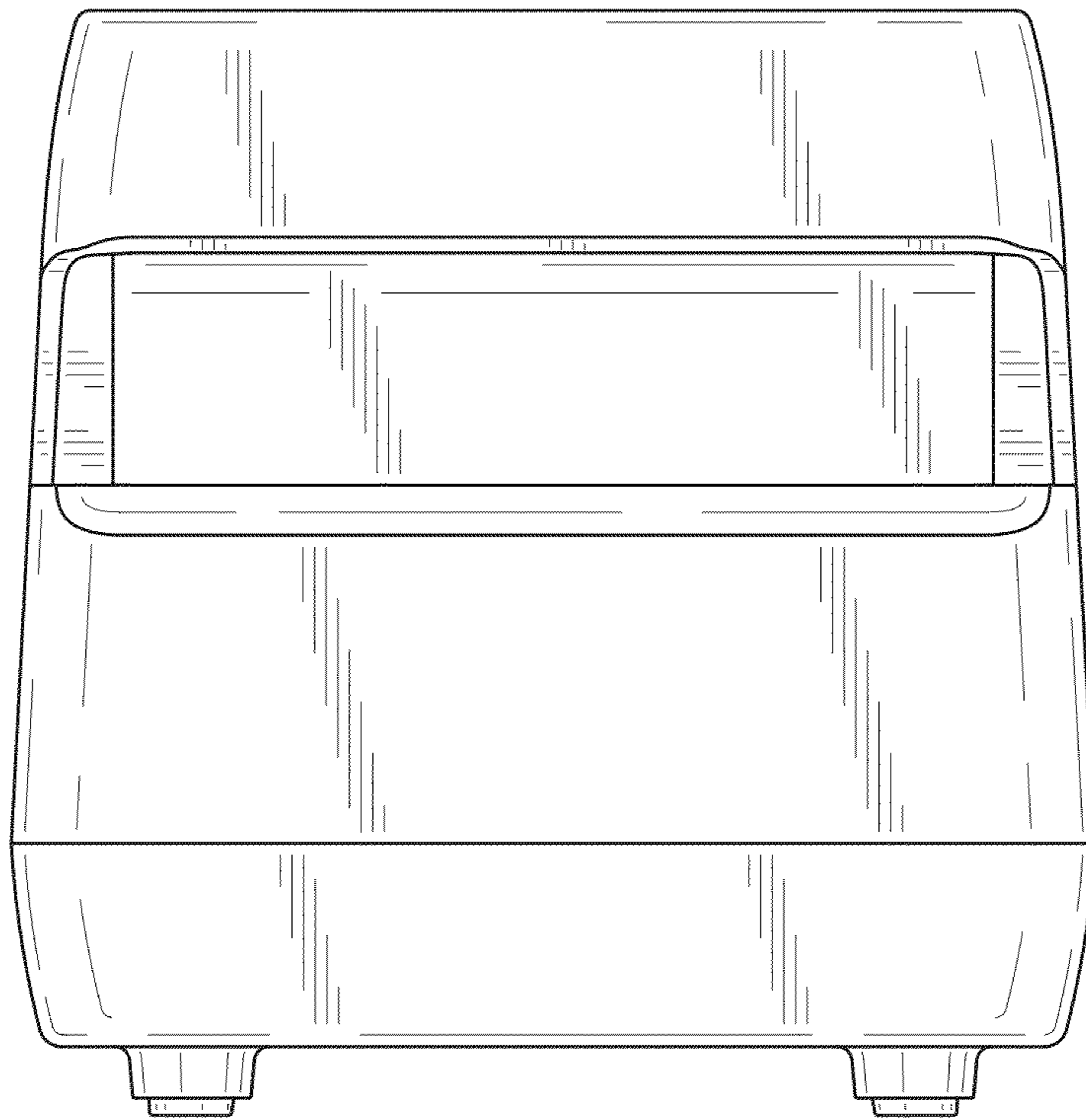


FIG. 5

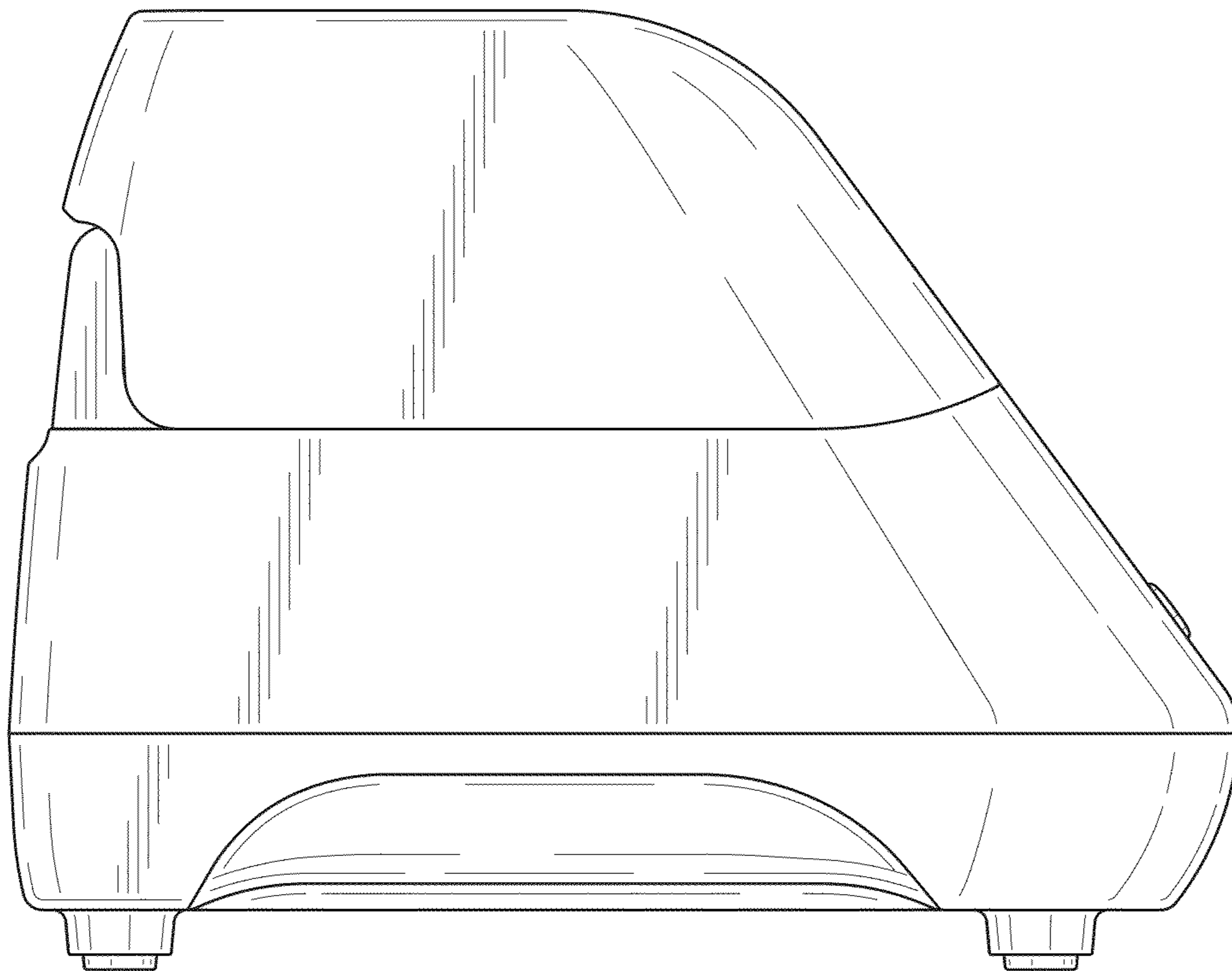


FIG. 6

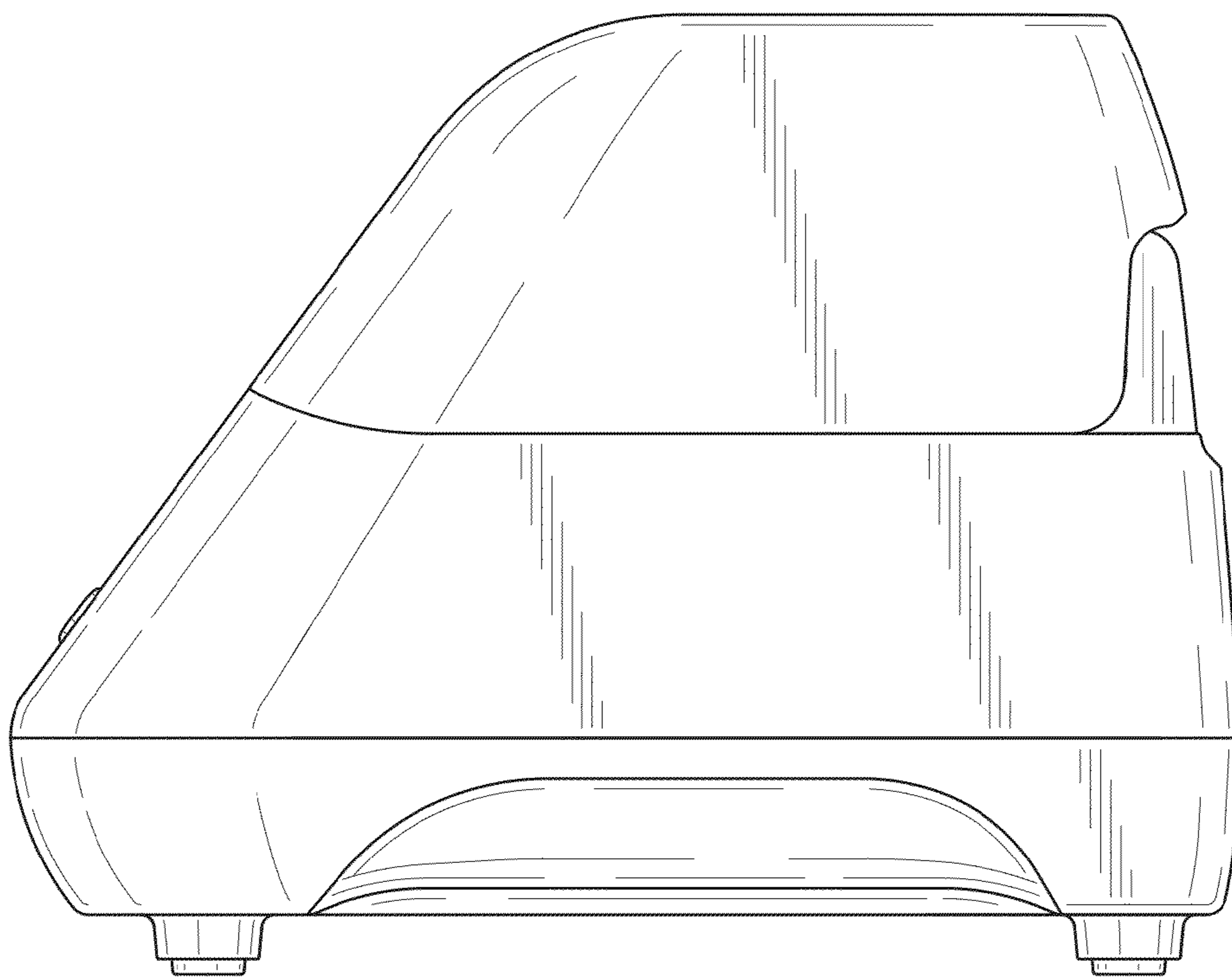


FIG. 7

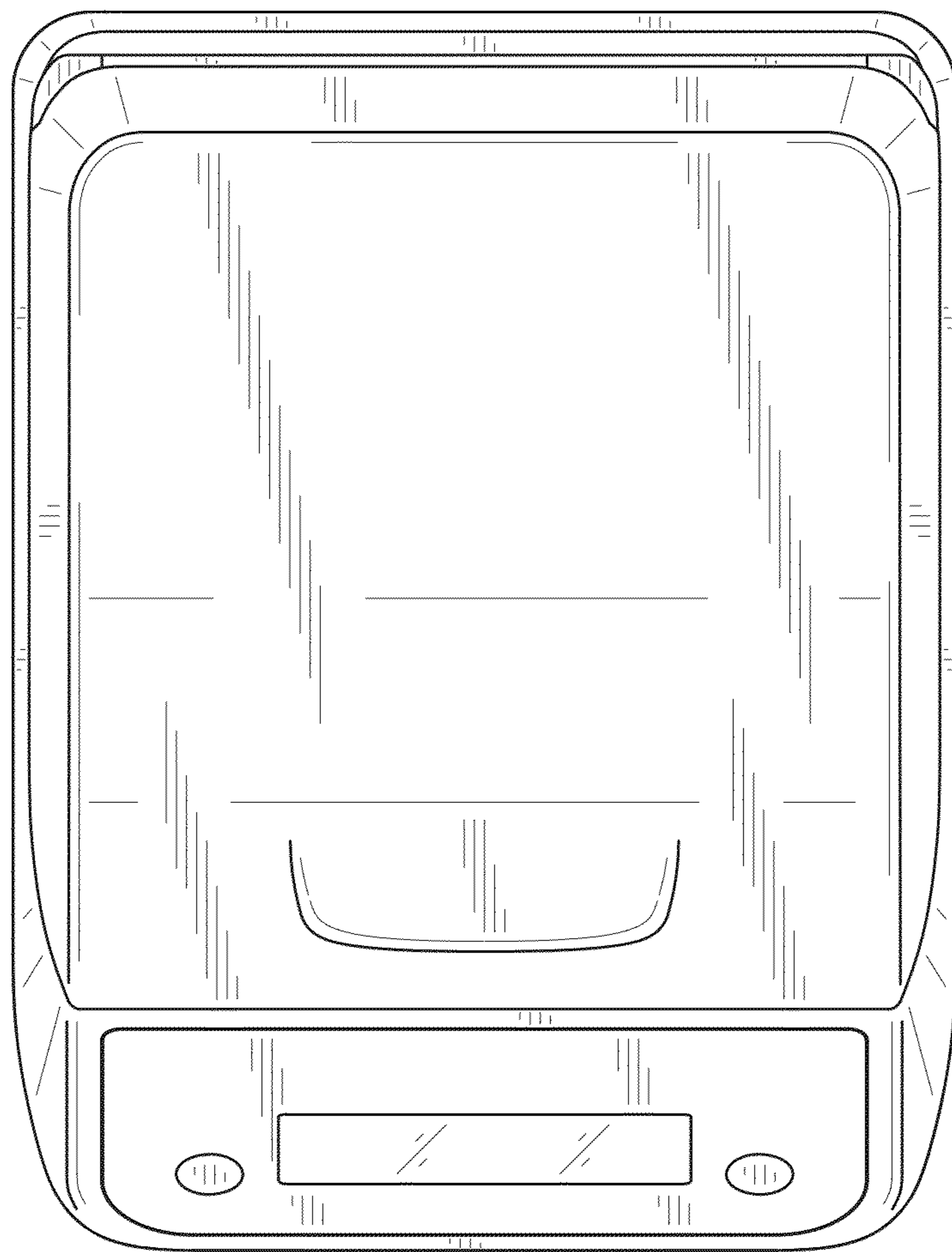


FIG. 8

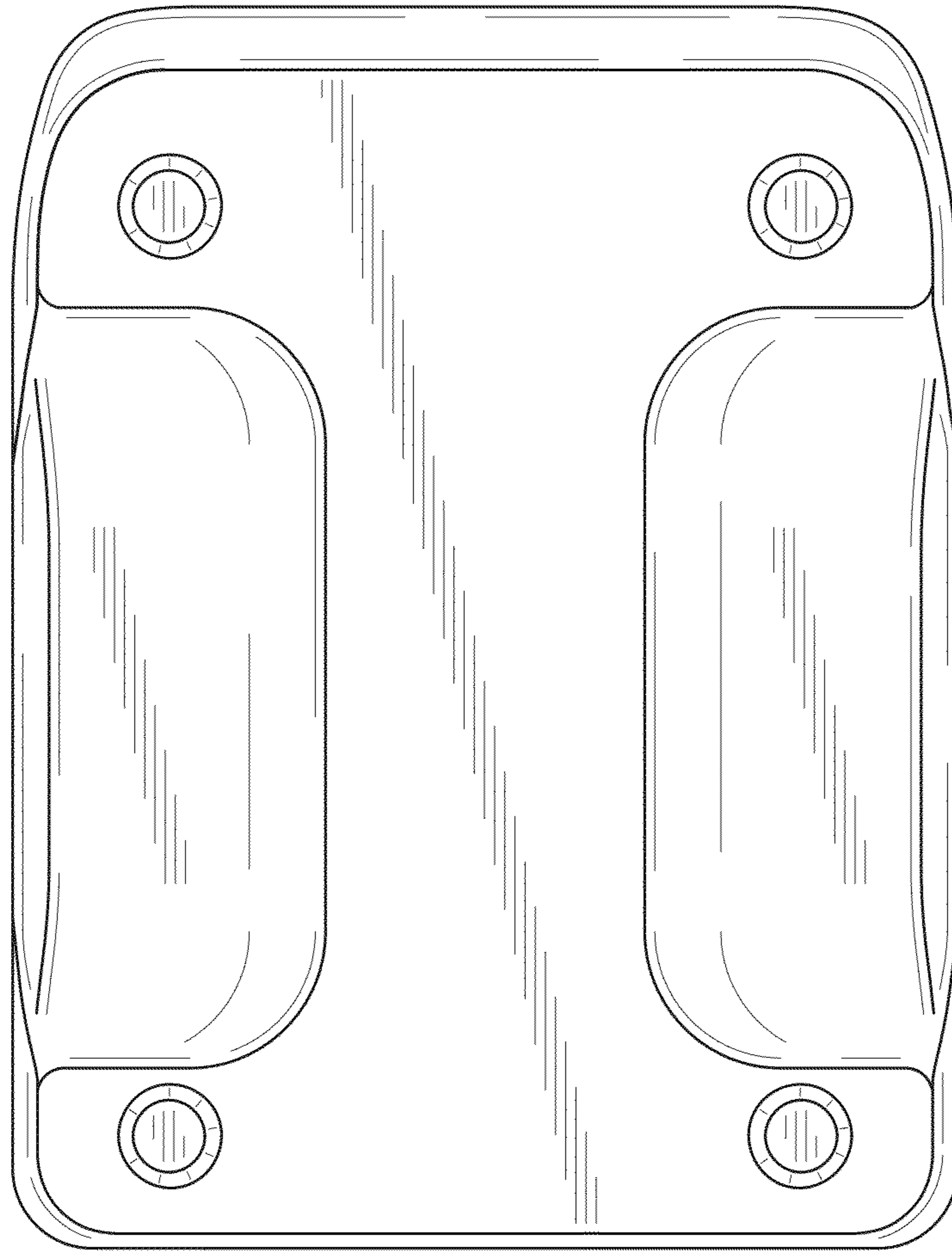


FIG. 9

