



US00D689192S

(12) **United States Design Patent**  
**Loyd**

(10) **Patent No.:** **US D689,192 S**  
(45) **Date of Patent:** **\*\* Sep. 3, 2013**

(54) **JET FACE**

(76) Inventor: **Casey Loyd, Pomona, CA (US)**

(\*\*) Term: **14 Years**

(21) Appl. No.: **29/387,438**

(22) Filed: **Mar. 14, 2011**

(51) **LOC (9) Cl.** ..... **24-04**

(52) **U.S. Cl.**  
USPC ..... **D24/201**

(58) **Field of Classification Search**  
USPC ..... D24/201, 204, 205; D23/277, 278,  
D23/276, 280.1–280.3; 601/154–158;  
4/541.1–541.6, 547, 578.1, 579

See application file for complete search history.

(56) **References Cited**

**U.S. PATENT DOCUMENTS**

D428,155	S	*	7/2000	Chalberg et al.	.....	D24/204
6,334,224	B1	*	1/2002	Chalberg et al.	.....	4/541.6
D530,018	S	*	10/2006	Loyd	.....	D24/201
D531,730	S	*	11/2006	Loyd	.....	D24/201
D573,715	S	*	7/2008	Holtsnider et al.	.....	D24/201

D574,501	S	*	8/2008	Holtsnider et al.	.....	D24/201
D574,964	S	*	8/2008	Holtsnider et al.	.....	D24/201
D591,863	S	*	5/2009	Holtsnider et al.	.....	D24/204
D608,009	S	*	1/2010	Vogtner et al.	.....	D24/204
7,818,826	B2	*	10/2010	Schmidt et al.	.....	4/541.6
D629,116	S	*	12/2010	Barajas et al.	.....	D24/201
8,069,505	B2	*	12/2011	Walker	.....	4/541.6
8,092,410	B2	*	1/2012	Colin	.....	601/160

\* cited by examiner

*Primary Examiner* — David Muller

(74) *Attorney, Agent, or Firm* — Thomas A. Runk; Fulwider Patton LLP

(57) **CLAIM**

The ornamental design for a jet face, as shown and described.

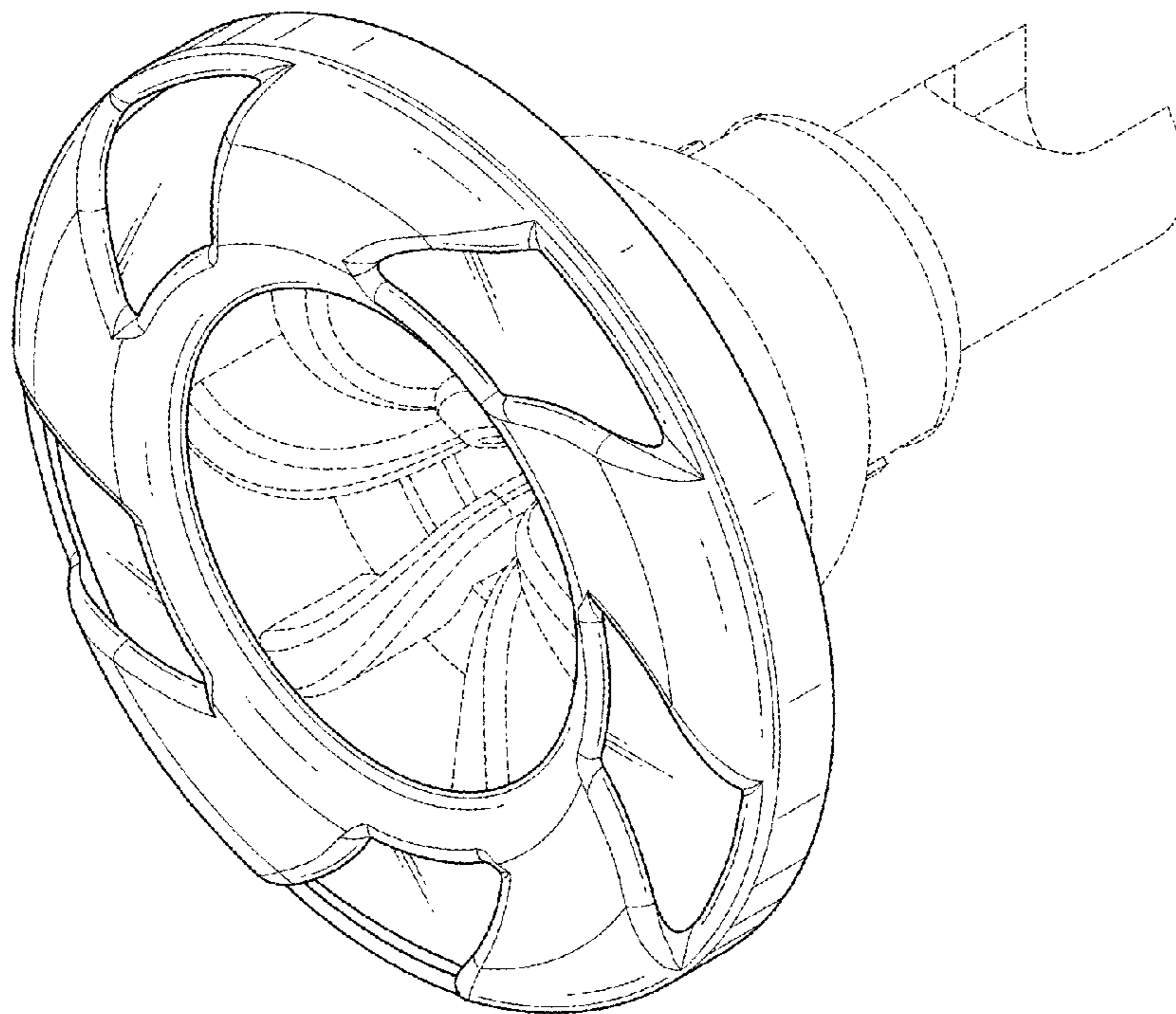
**DESCRIPTION**

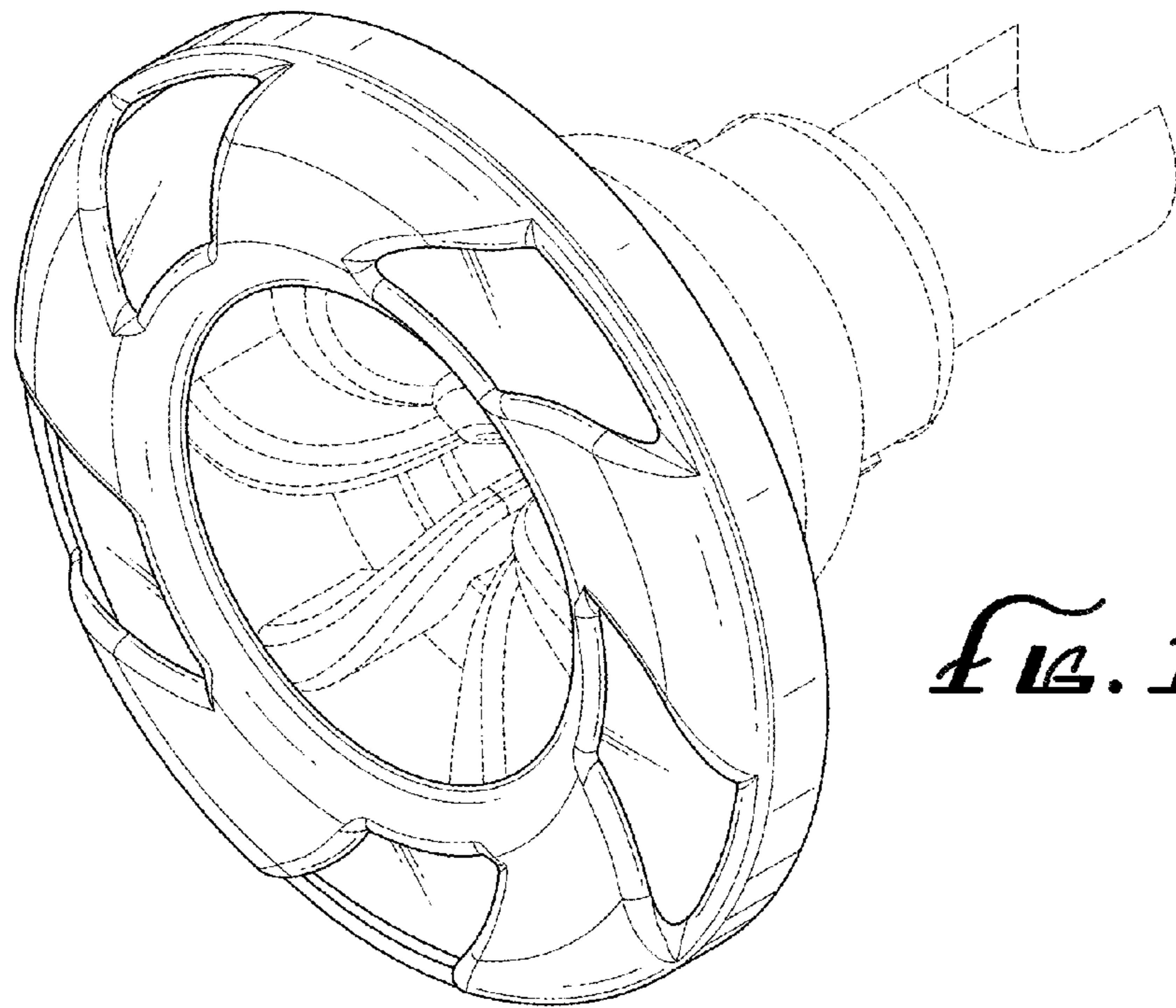
FIG. 1 is a perspective drawing of the jet face design of the invention;

FIG. 2 is a front view of the jet face illustrated in FIG. 1; and, FIG. 3 is a side view of the jet face illustrated in FIG. 1.

The broken line showing of parts of the drawings is included for the purpose of illustrating use and environment and forms no part of the claimed design.

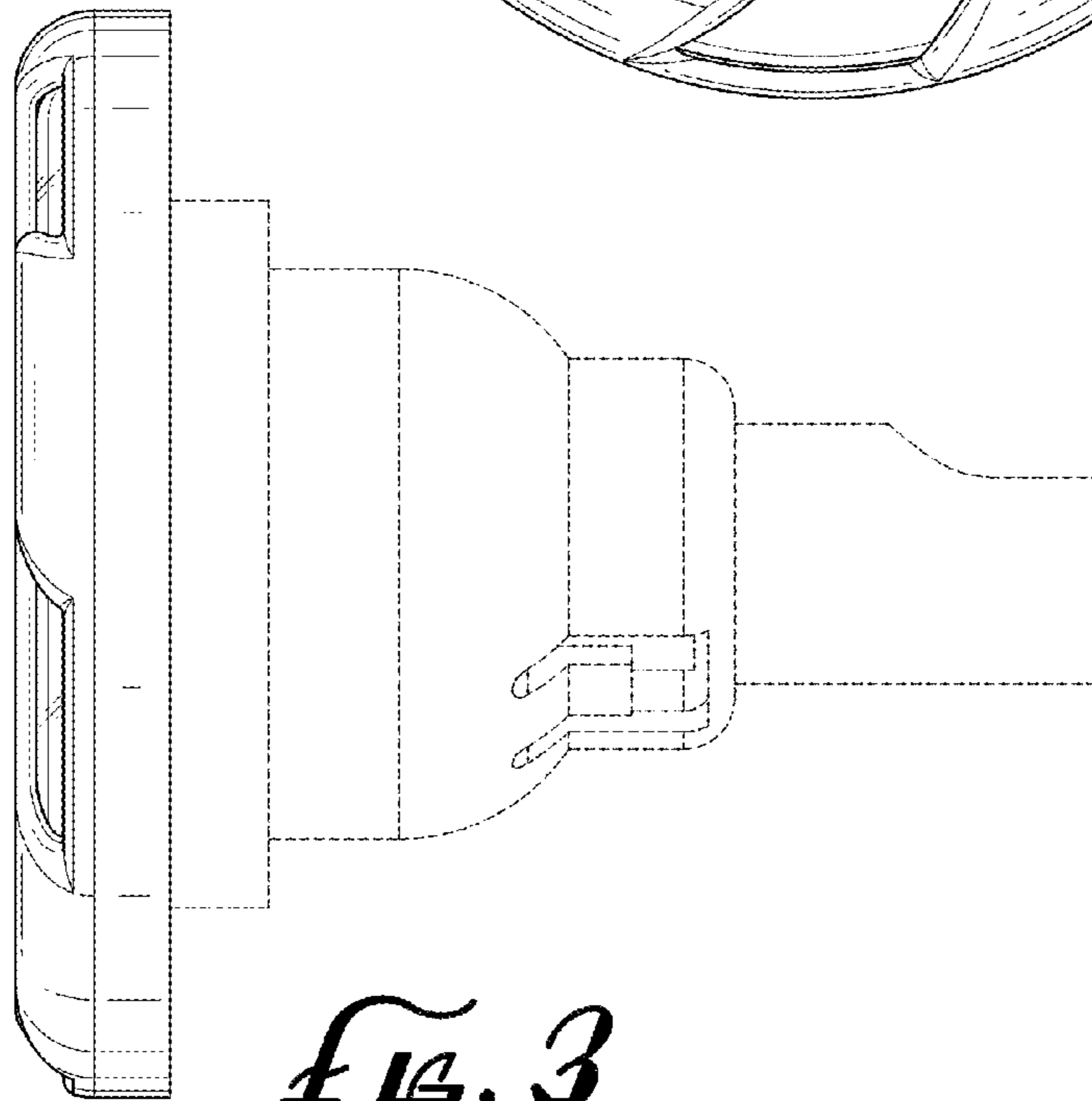
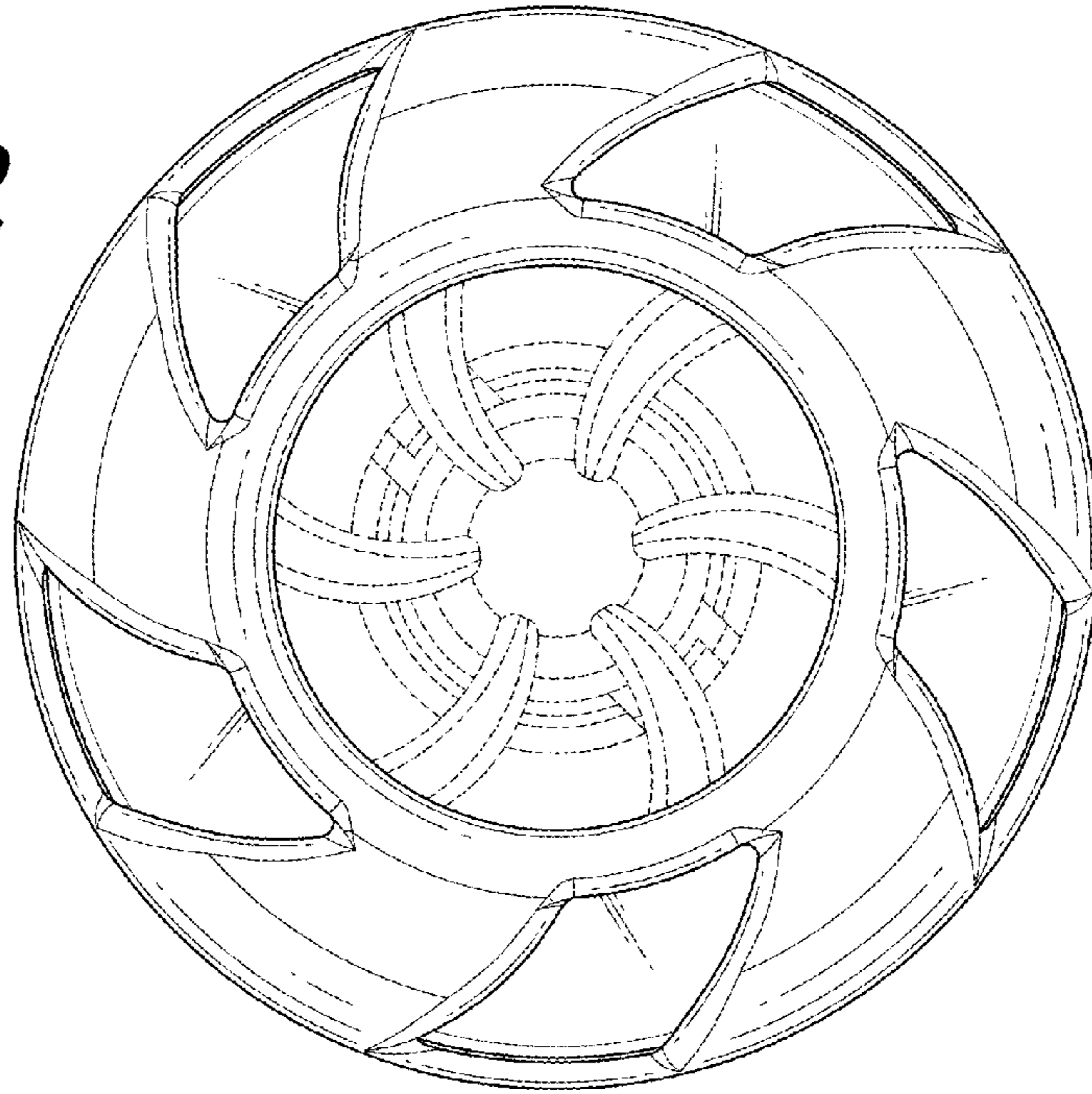
**1 Claim, 2 Drawing Sheets**





*FIG. 1*

*FIG. 2*



*FIG. 3*