



US00D689187S

(12) **United States Design Patent**
Kruger

(10) **Patent No.:** **US D689,187 S**

(45) **Date of Patent:** **** Sep. 3, 2013**

(54) **MEDICAL INJECTOR**

(75) Inventor: **Peter Kruger**, Damlos (DE)

(73) Assignee: **Codan Holding GmbH**, Lensahn (DE)

(**) Term: **14 Years**

(21) Appl. No.: **29/406,480**

(22) Filed: **Nov. 15, 2011**

(30) **Foreign Application Priority Data**

May 26, 2011 (EP) 1869249

(51) **LOC (9) Cl.** **24-02**

(52) **U.S. Cl.**
USPC **D24/127**

(58) **Field of Classification Search**
USPC D24/112-114, 127-131, 133, 186;
606/181, 185; 604/232, 187, 158, 164.08,
604/192, 263, 163, 181, 184, 198, 227;
600/101, 139, 143; 128/200.24, 207.14,
128/207.15
See application file for complete search history.

(56) **References Cited**

U.S. PATENT DOCUMENTS

D319,506 S * 8/1991 Lal et al. D24/129
D321,251 S * 10/1991 Jepson et al. D24/112
D343,899 S * 2/1994 Lott et al. D24/130
D351,905 S * 10/1994 Lee, Jr. D24/130
D398,993 S * 9/1998 Jones D24/128

5,843,039 A * 12/1998 Klemm 606/185
D439,663 S * 3/2001 Guala D24/129
D458,686 S * 6/2002 Crawford et al. D24/128
D602,586 S * 10/2009 Foley et al. D24/113
D629,895 S * 12/2010 Demleitner et al. D24/133
D638,536 S * 5/2011 Row et al. D24/129
D649,636 S * 11/2011 Bean et al. D24/133
D654,166 S * 2/2012 Lair D24/129

* cited by examiner

Primary Examiner — David Muller

(74) *Attorney, Agent, or Firm* — Sand & Sebolt

(57) **CLAIM**

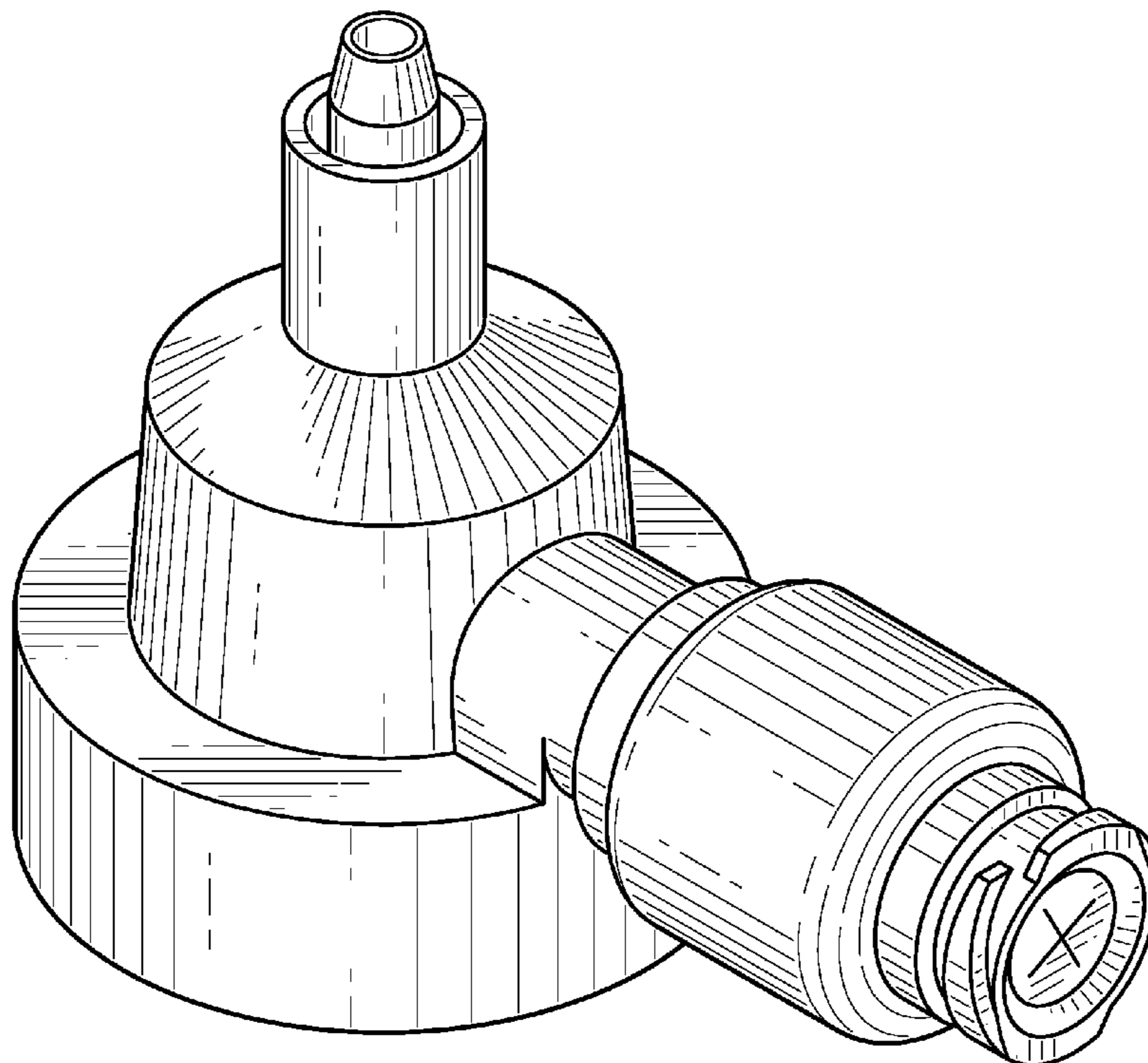
The ornamental design for a medical injector, as shown and described.

DESCRIPTION

FIG. 1 is a perspective rear view of a medical injector in accordance with the present design;
FIG. 2 is a rear view thereof;
FIG. 3 is a front view thereof;
FIG. 4 is a left side view thereof;
FIG. 5 is a right side view thereof;
FIG. 6 is a top view thereof; and,
FIG. 7 is a bottom view thereof.

The dashed line circles immediately adjacent to the claimed areas in FIGS. 6 and 7 represent the boundaries of the claimed design. The dashed lines in the figures illustrate the portions of the design that form no part of the claimed design. None of the broken lines form any part of the claimed design.

1 Claim, 4 Drawing Sheets



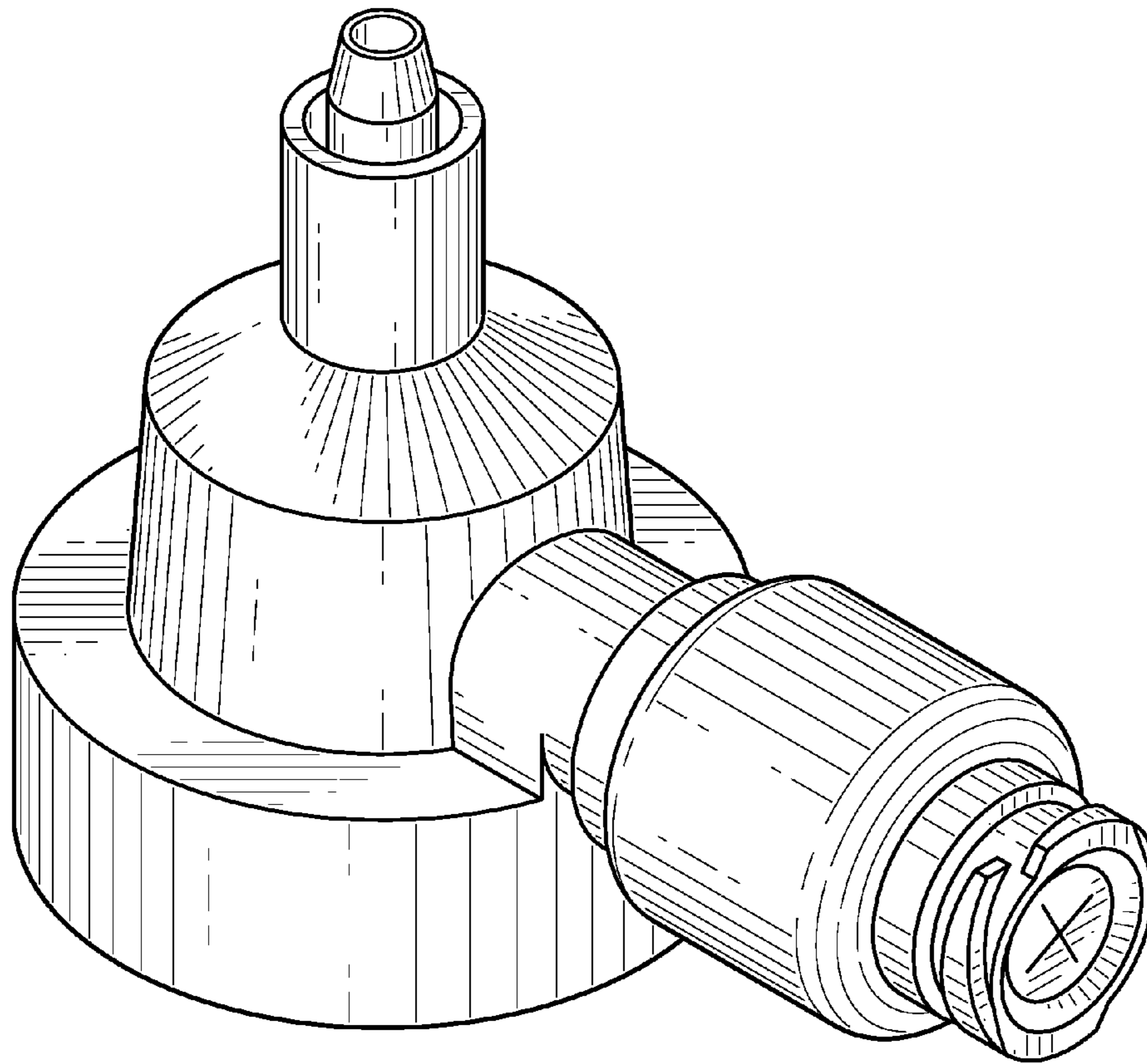


FIG-1

FIG-2

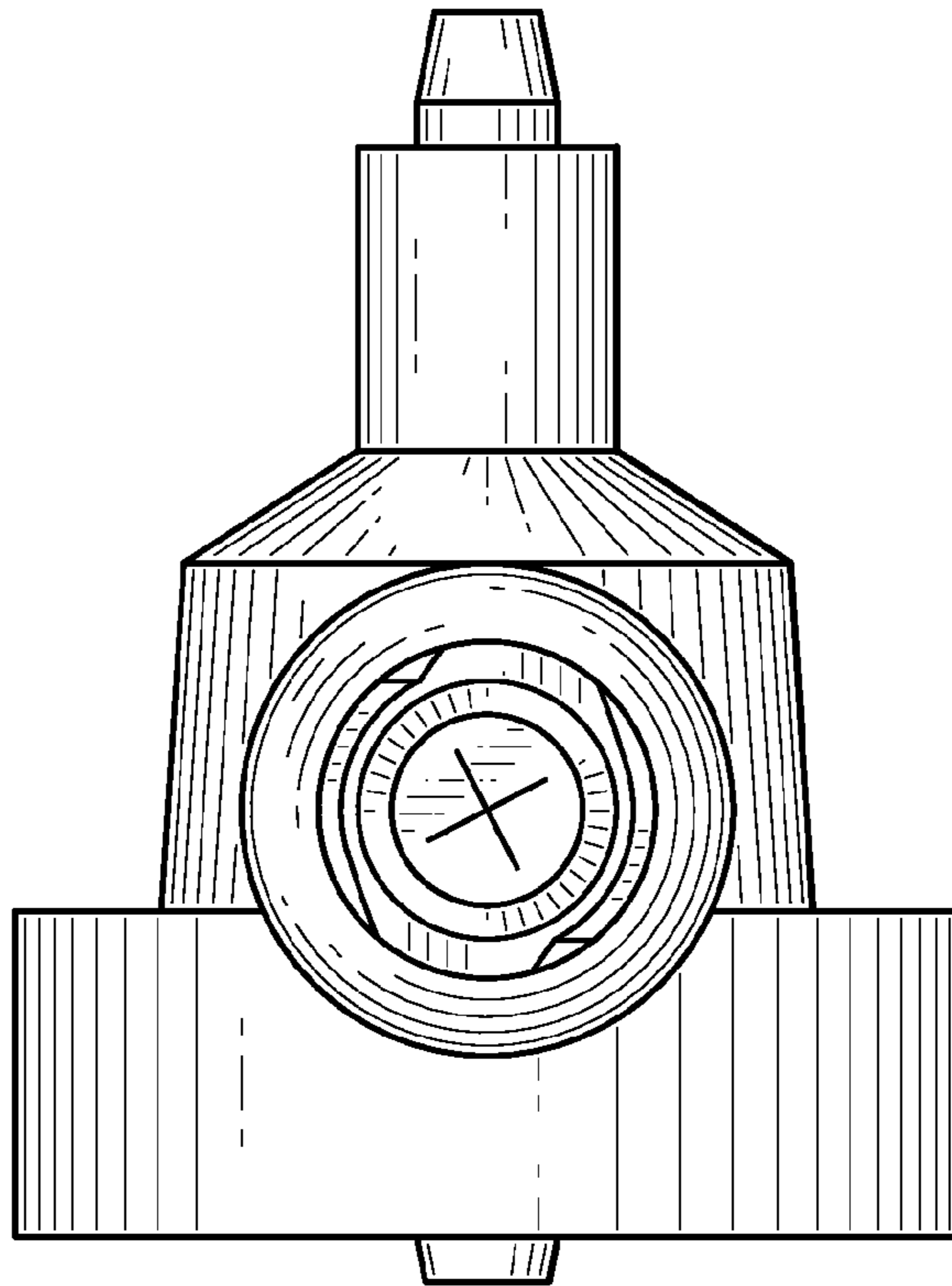
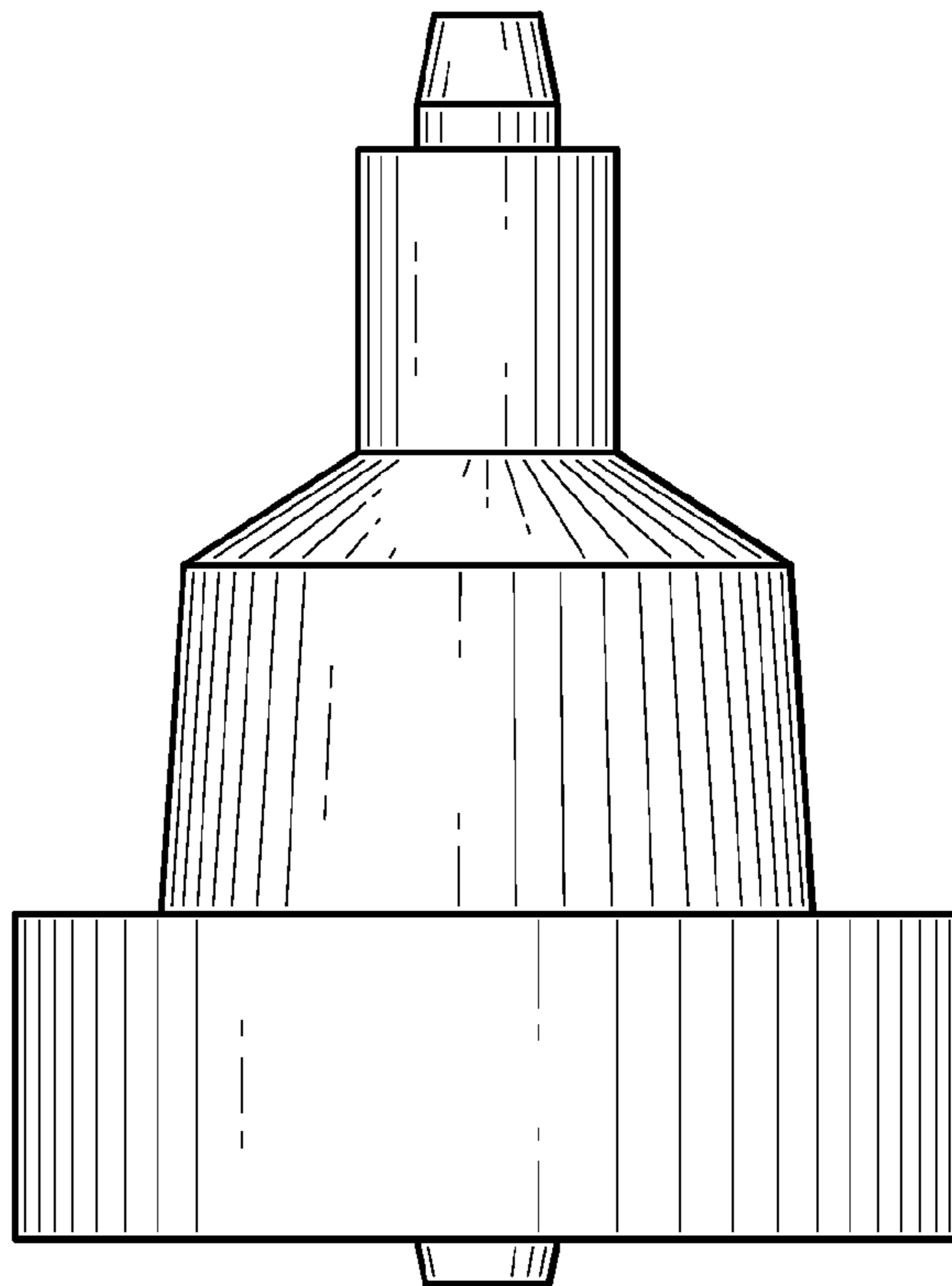


FIG-3



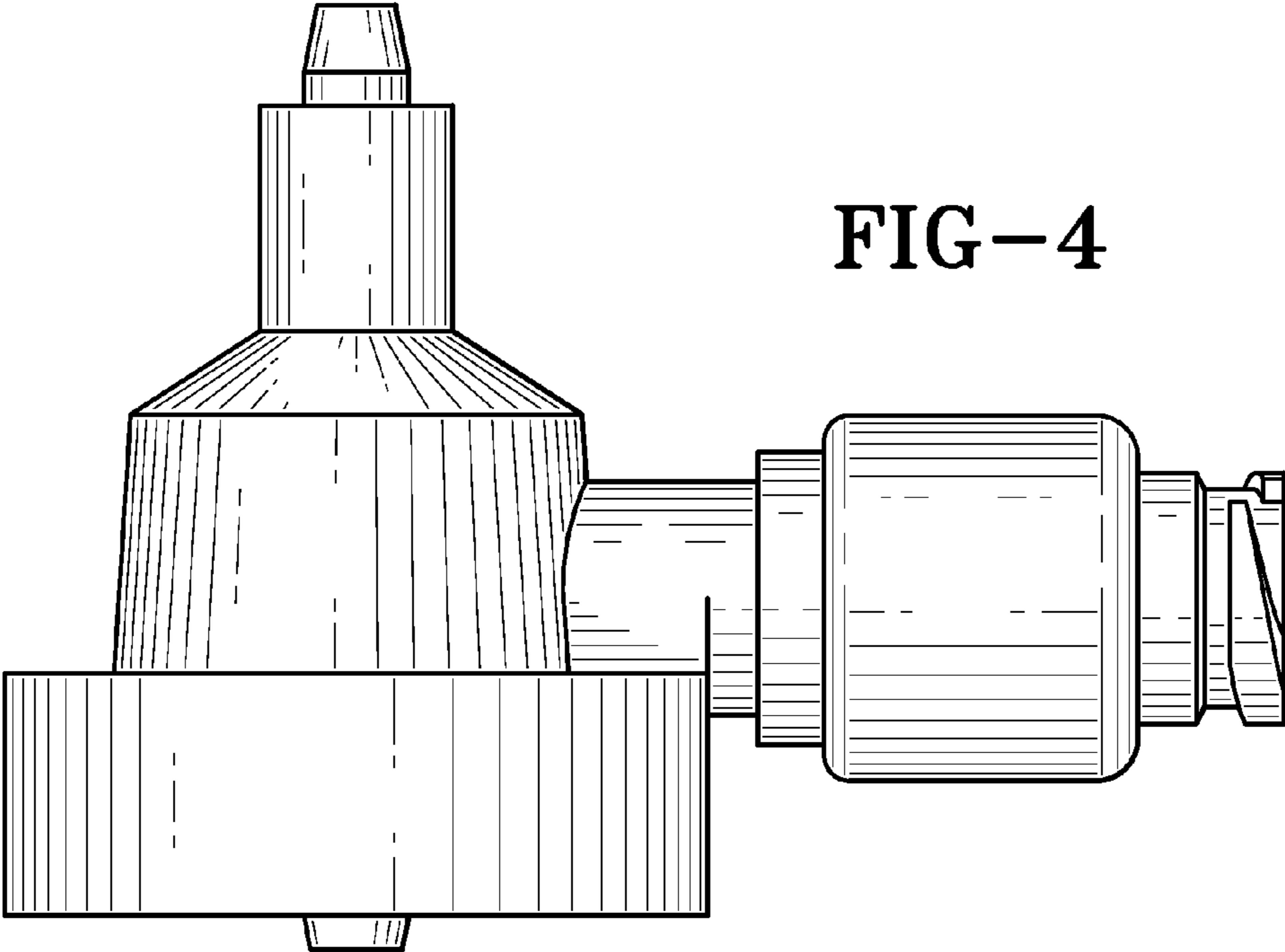


FIG-4

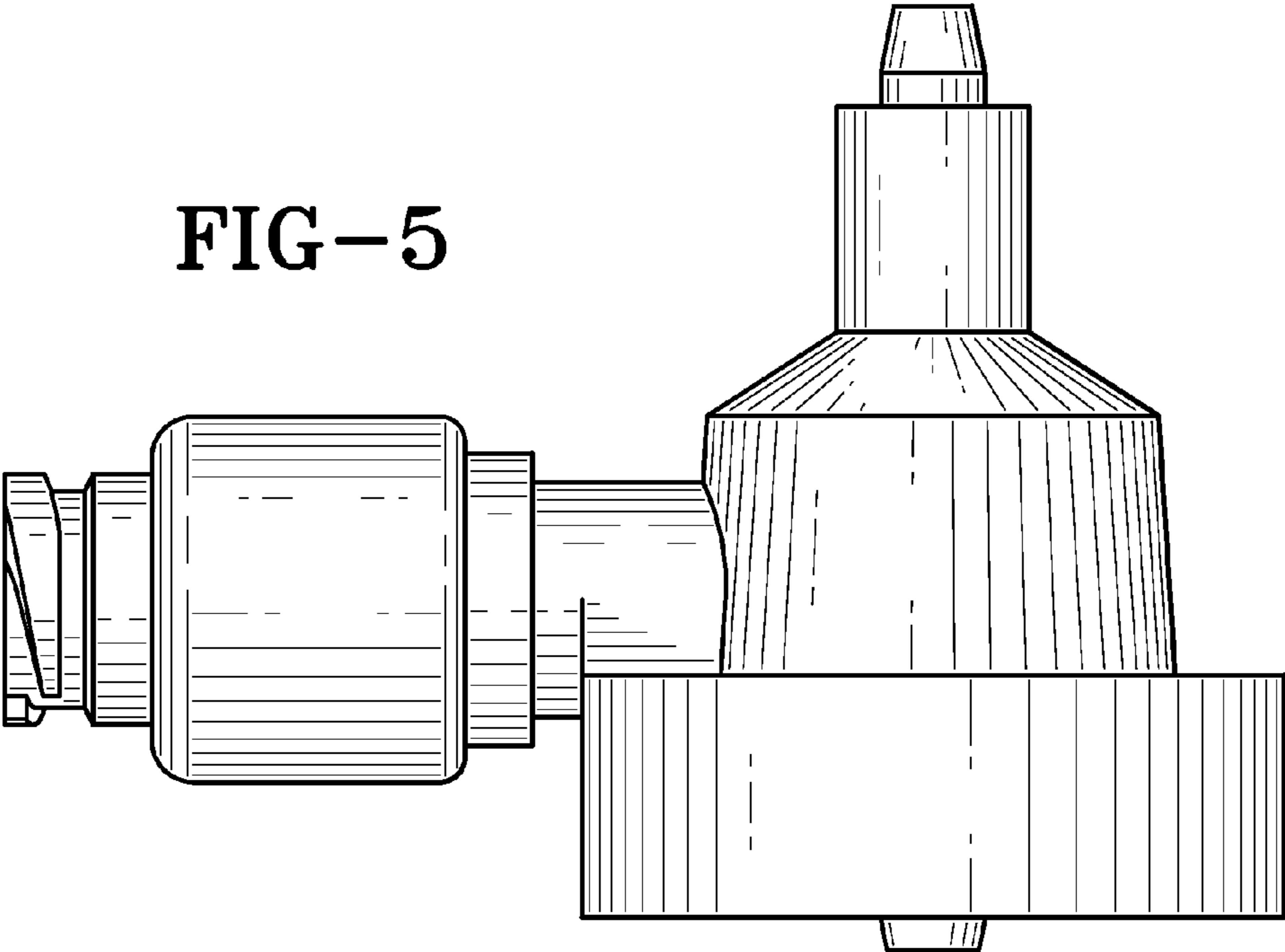


FIG-5

FIG-6

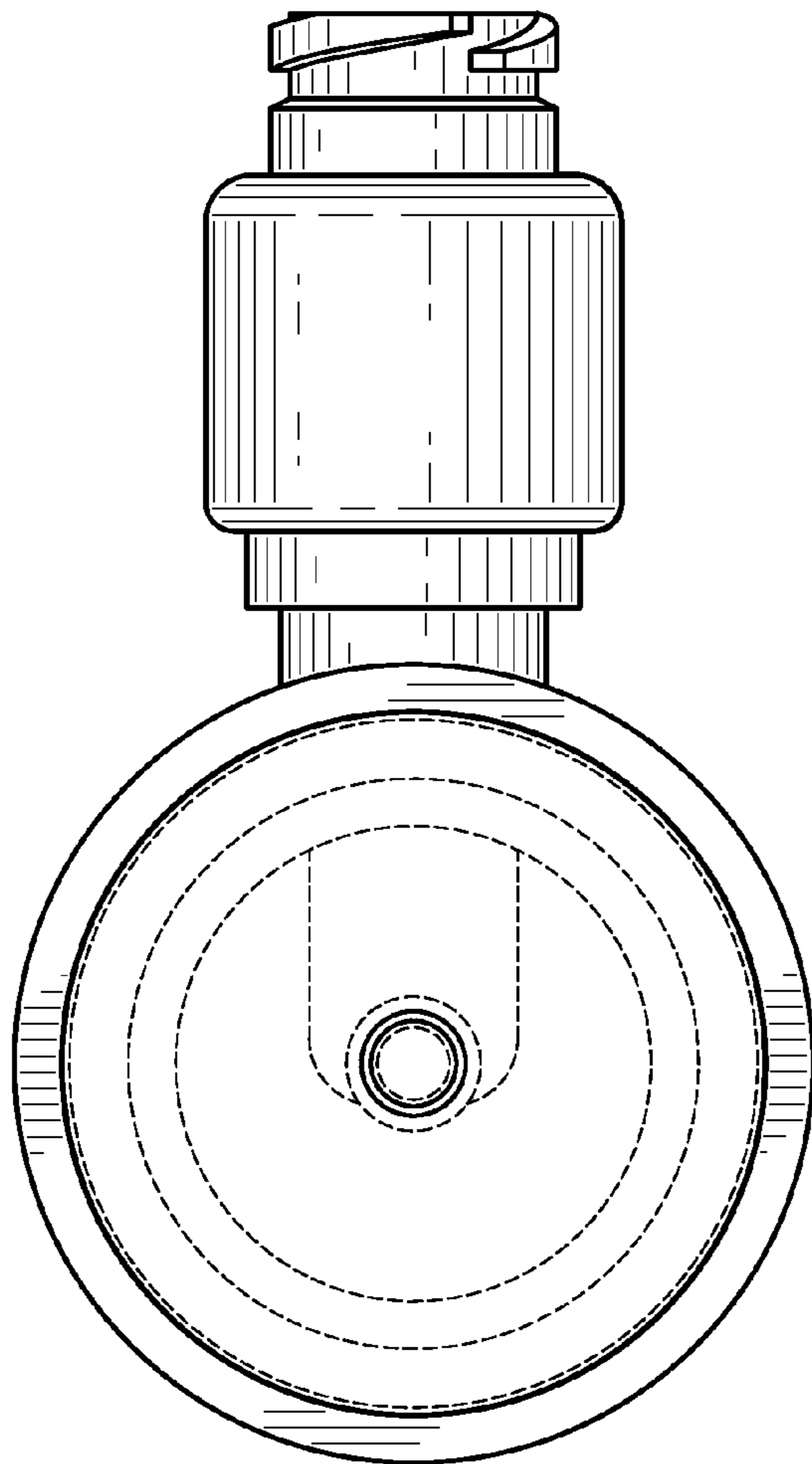
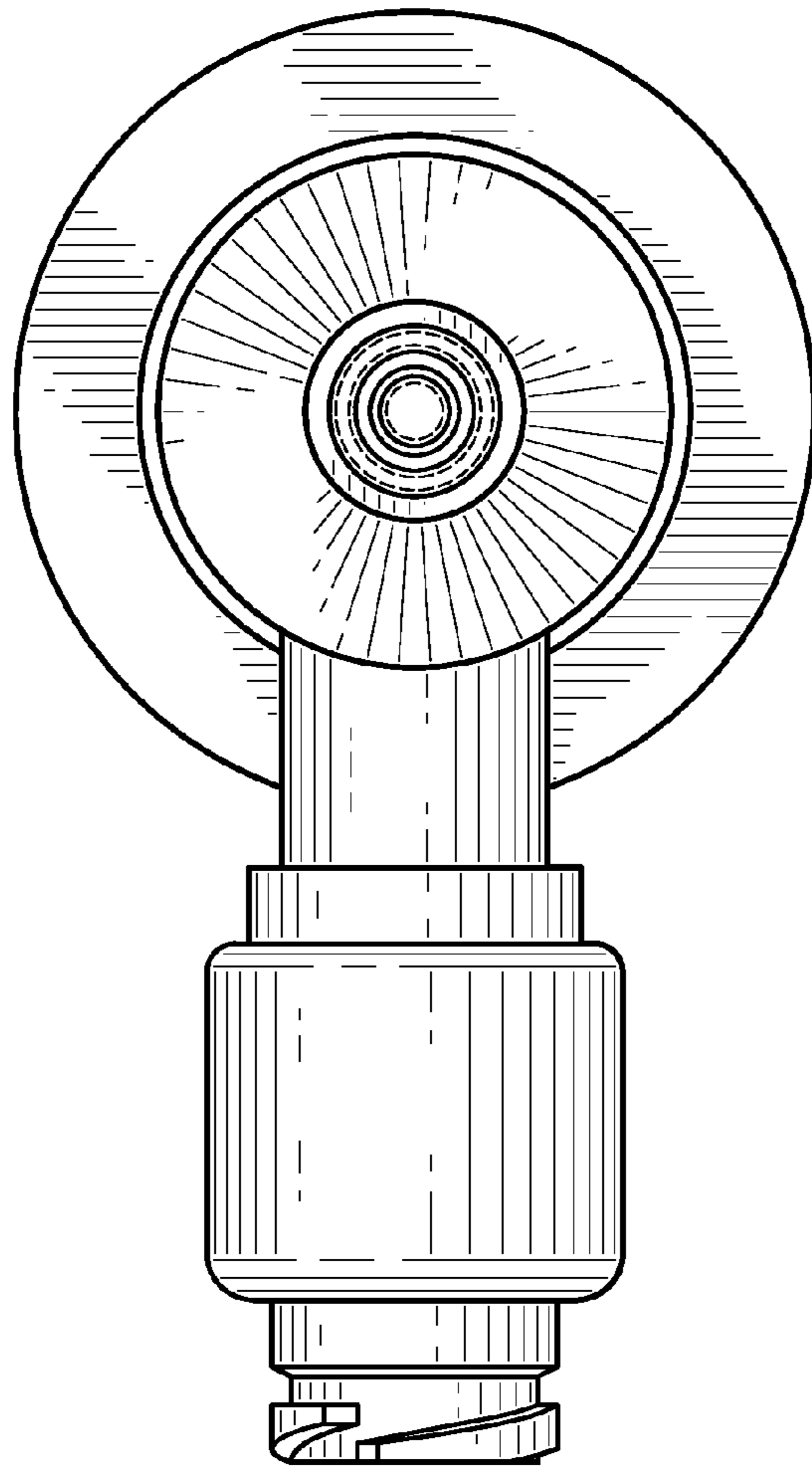


FIG-7