



US00D689186S

(12) **United States Design Patent**  
**McCracken et al.**

(10) **Patent No.:** **US D689,186 S**

(45) **Date of Patent:** **\*\* Sep. 3, 2013**

(54) **PEDIATRIC MASK**

(71) Applicants: **Christopher James McCracken**,  
Harrison City, PA (US); **Kevin Shick**,  
Claridge, PA (US)

(72) Inventors: **Christopher James McCracken**,  
Harrison City, PA (US); **Kevin Shick**,  
Claridge, PA (US)

(73) Assignee: **Koninklijke Philips N.V.**, Eindhoven  
(NL)

(\*\*) Term: **14 Years**

(21) Appl. No.: **29/439,075**

(22) Filed: **Dec. 6, 2012**

(30) **Foreign Application Priority Data**

Jun. 19, 2012 (EM) ..... 002059949-0001

(51) **LOC (9) Cl.** ..... **29-02**

(52) **U.S. Cl.**  
USPC ..... **D24/110.4; D24/110.1**

(58) **Field of Classification Search**  
USPC ..... **D24/110.1-110.4; 128/205.25, 206.21,**  
**128/206.24, 206.28, 207.11**

See application file for complete search history.

(56) **References Cited**

U.S. PATENT DOCUMENTS

D305,166	S	*	12/1989	Quinn et al. ....	D24/110.4
D347,495	S	*	5/1994	Baldwin .....	D24/110.1
D593,197	S	*	5/2009	Todd et al. ....	D24/110.2
7,726,314	B1	*	6/2010	Ming .....	128/206.12
2006/0118118	A1	*	6/2006	Smaldone .....	128/206.21
2008/0110463	A1	*	5/2008	Hajgato et al. ....	128/205.25

\* cited by examiner

*Primary Examiner* — Ian Simmons

*Assistant Examiner* — Richelle Shelton

(74) *Attorney, Agent, or Firm* — Michael W. Haas

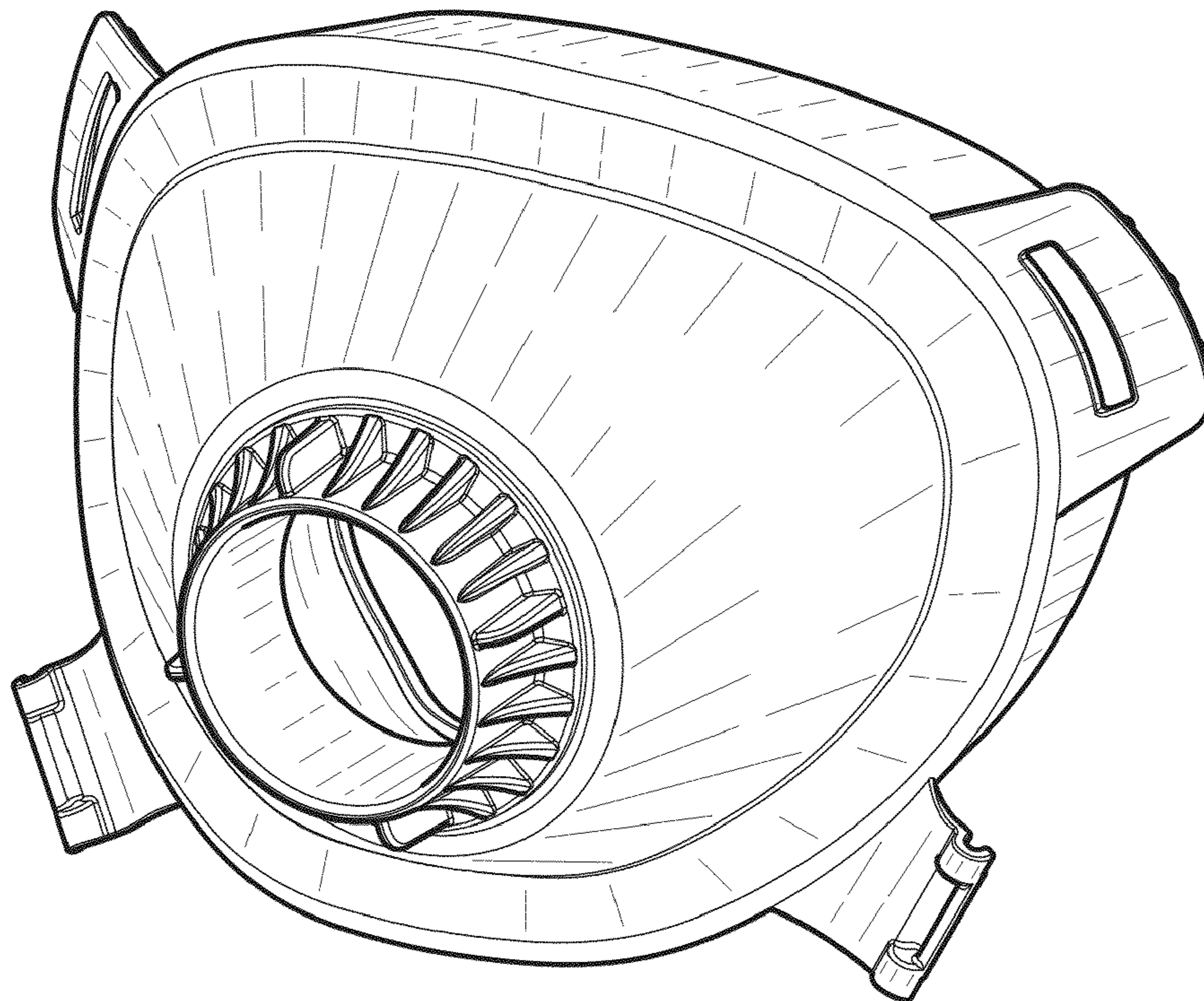
(57) **CLAIM**

The ornamental design for a pediatric mask, as shown.

**DESCRIPTION**

FIG. 1 is a perspective view showing my design;  
FIG. 2 is a front elevational view thereof;  
FIG. 3 is a rear elevational view thereof;  
FIG. 4 is a left side elevational view thereof;  
FIG. 5 is a right side elevational view thereof;  
FIG. 6 is a top plan view thereof; and,  
FIG. 7 is a bottom plan view thereof.

**1 Claim, 4 Drawing Sheets**



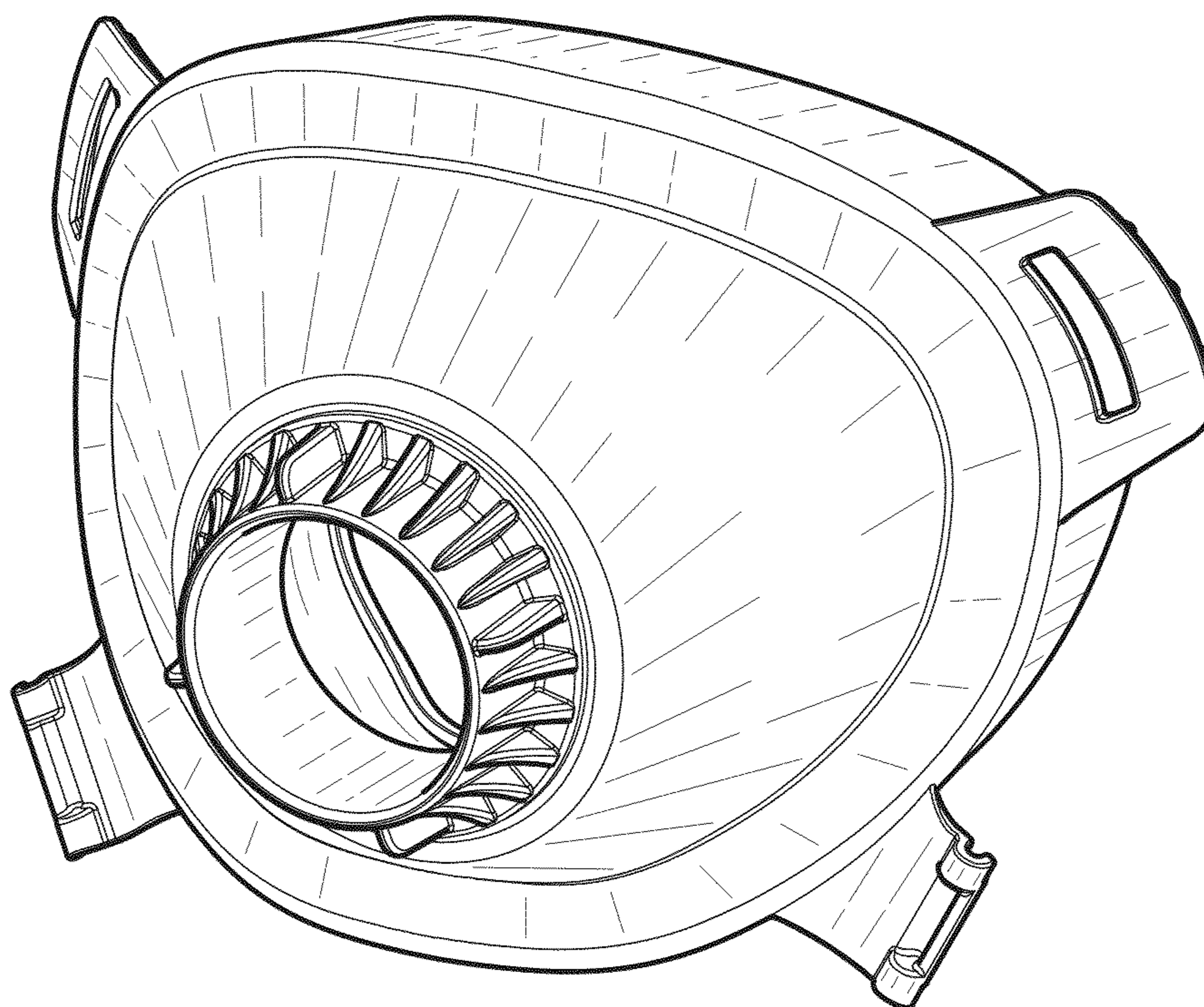


FIG. 1



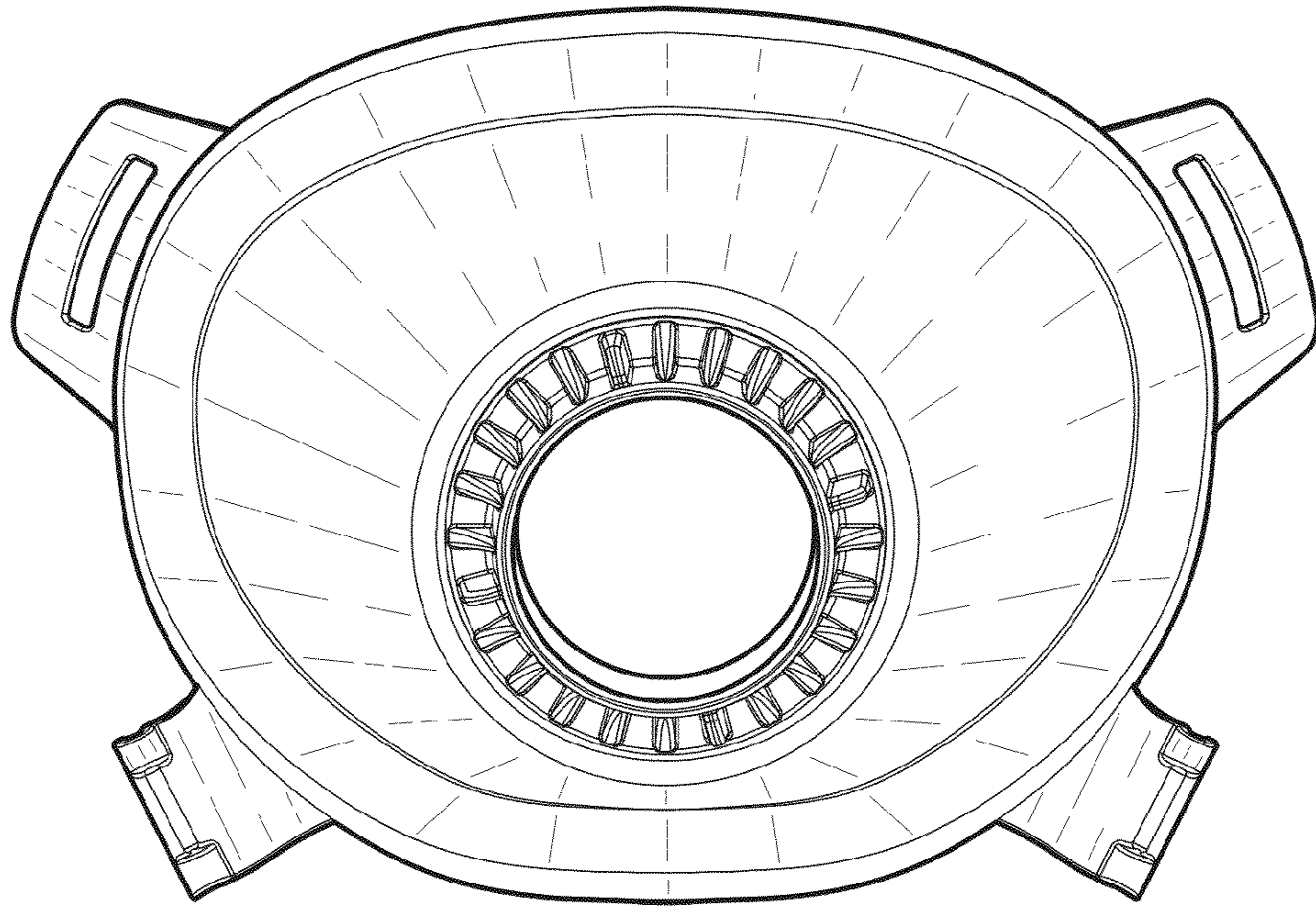


FIG. 2

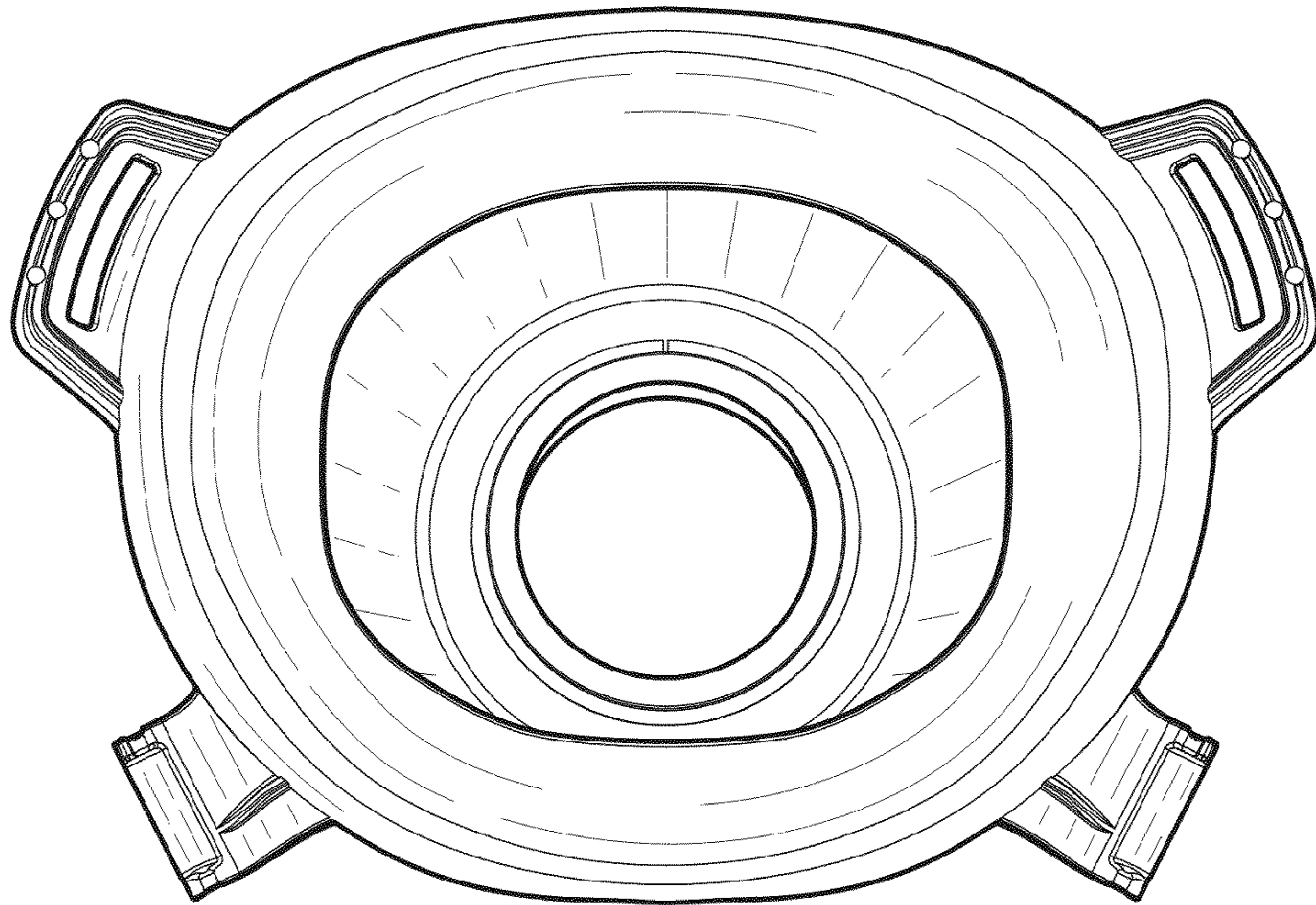


FIG. 3

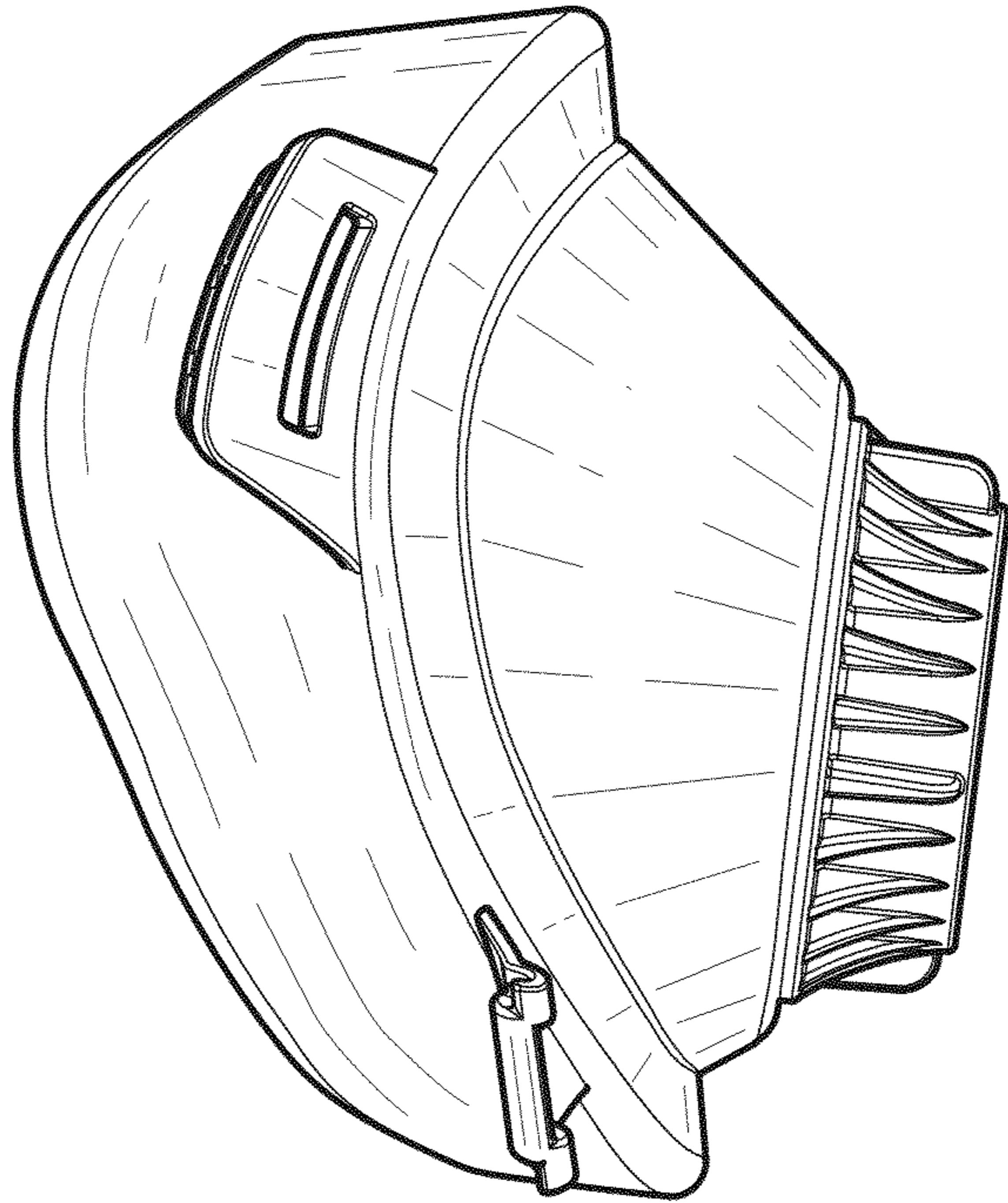


FIG. 4

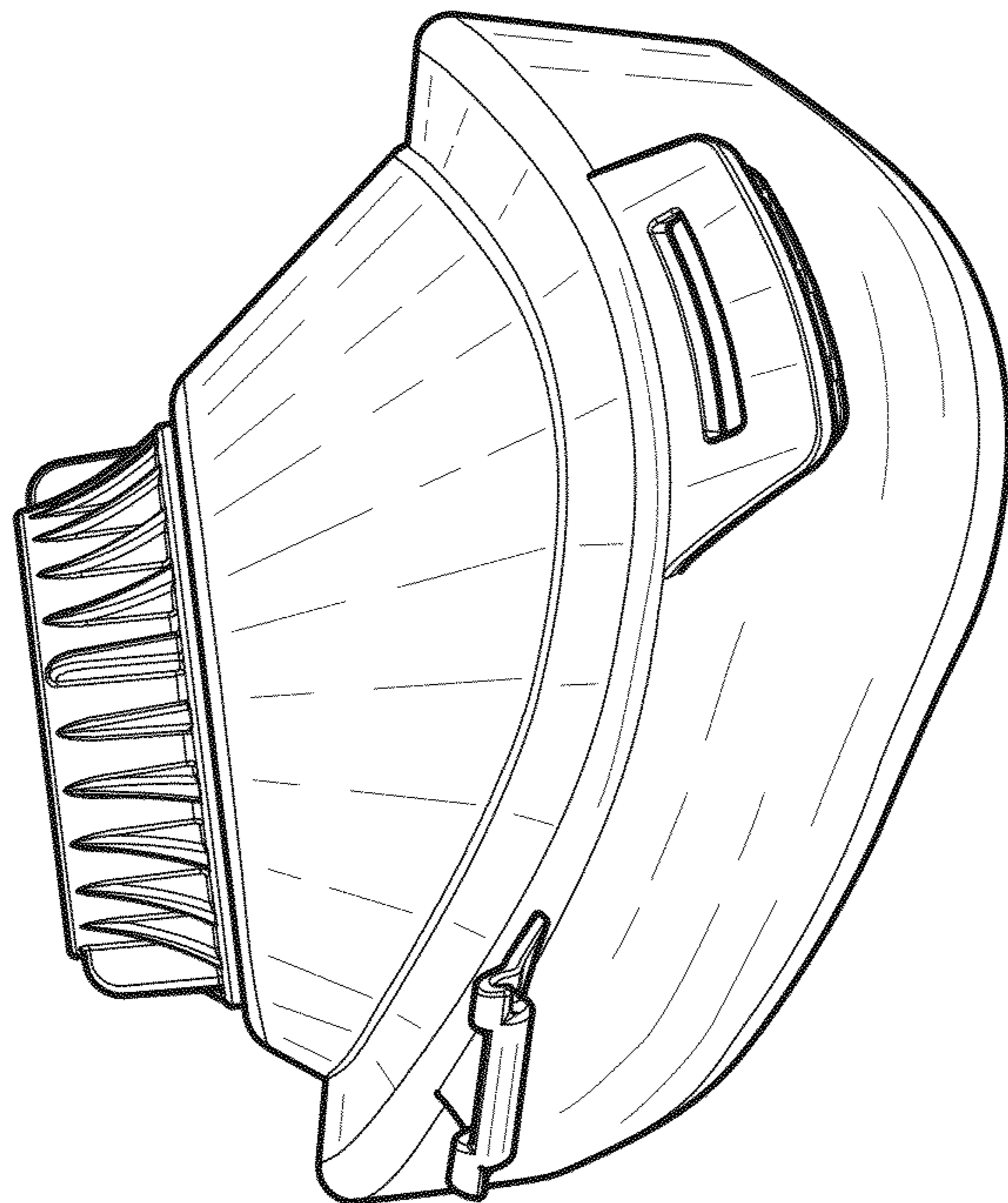


FIG. 5



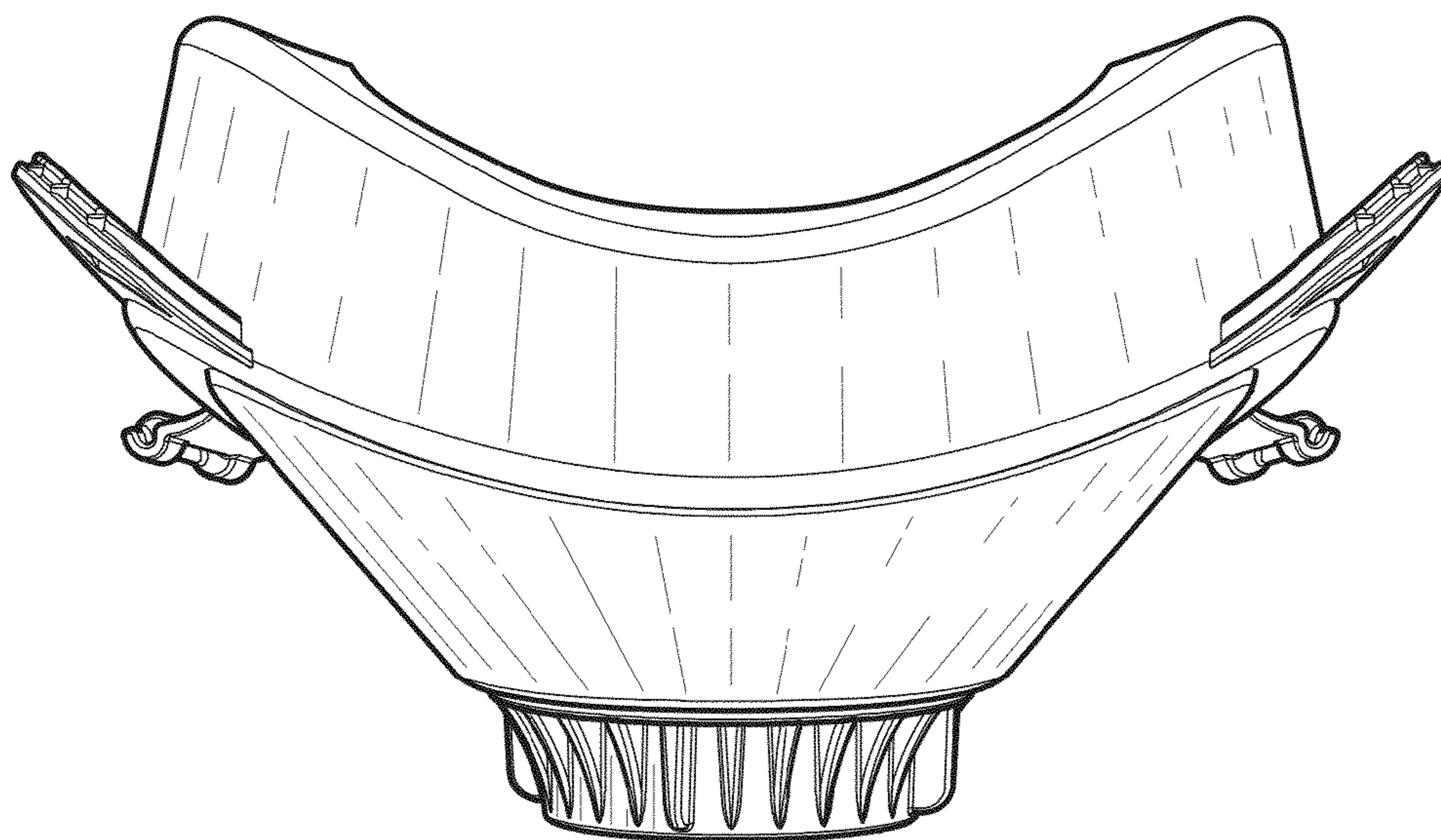


FIG. 6

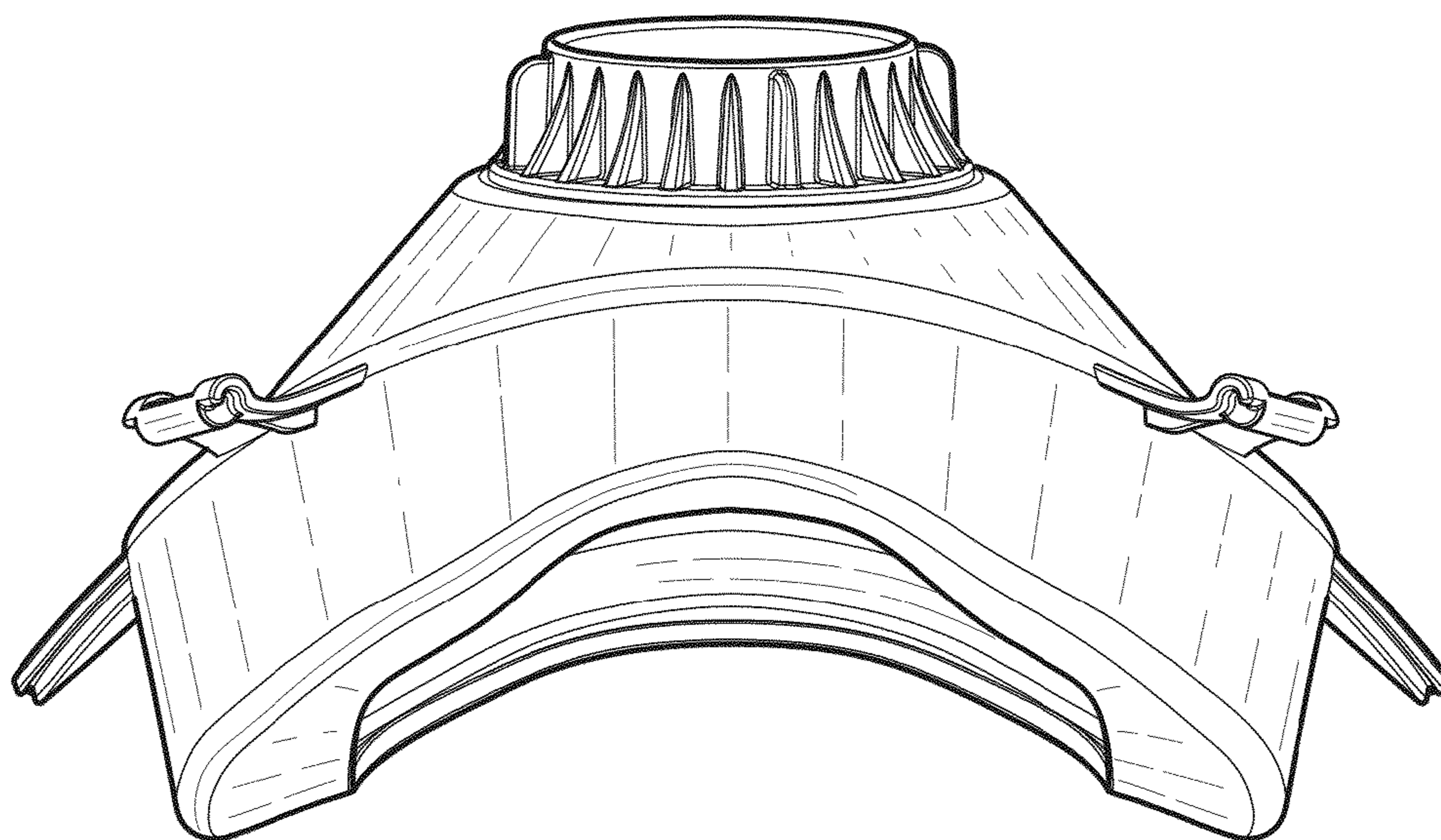


FIG. 7