



US00D689185S

(12) **United States Design Patent**
Flickinger et al.

(10) **Patent No.:** **US D689,185 S**

(45) **Date of Patent:** **** Sep. 3, 2013**

(54) **NEBULIZER**

(75) Inventors: **William J Flickinger**, Lino Lakes, MN (US); **John Quackenbush**, St. Paul, MN (US)

(73) Assignee: **Medinvent, LLC**, White Bear Lake, MN (US)

(**) Term: **14 Years**

(21) Appl. No.: **29/417,297**

(22) Filed: **Apr. 2, 2012**

Related U.S. Application Data

(63) Continuation of application No. 13/404,623, filed on Feb. 24, 2012.

(51) **LOC (9) Cl.** **29-02**

(52) **U.S. Cl.**
USPC **D24/110**

(58) **Field of Classification Search**
USPC D24/107-110, 111; 128/200.14, 128/200.18-200.24, 204.18, 205.15; 604/514
See application file for complete search history.

(56) **References Cited**

U.S. PATENT DOCUMENTS

2,485,184 A 5/1948 Blackman et al.
5,579,757 A * 12/1996 McMahon et al. 128/200.21
5,653,223 A * 8/1997 Pruitt 128/200.21

5,906,198 A 5/1999 Flickinger
6,644,305 B2 11/2003 MacRae et al.
2004/0031485 A1 * 2/2004 Rustad et al. 128/200.18
2008/0054099 A1 3/2008 Giroux et al.
2011/0303218 A1 * 12/2011 Yadidi 128/200.14

* cited by examiner

Primary Examiner — Ian Simmons

Assistant Examiner — Richelle Shelton

(74) *Attorney, Agent, or Firm* — Colin P. Cahoon; Celina M. Orr; Carstens & Cahoon, LLP

(57) **CLAIM**

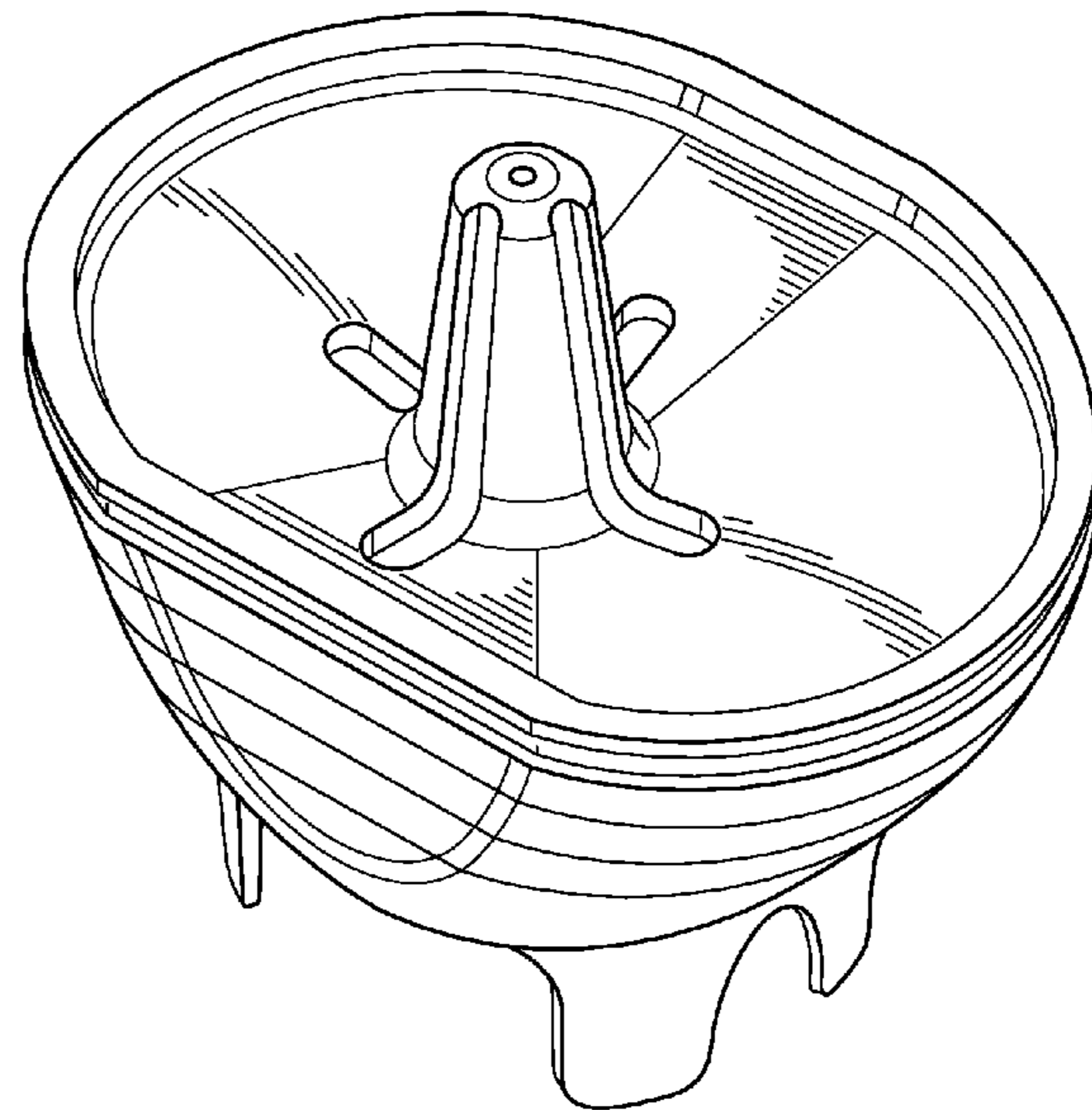
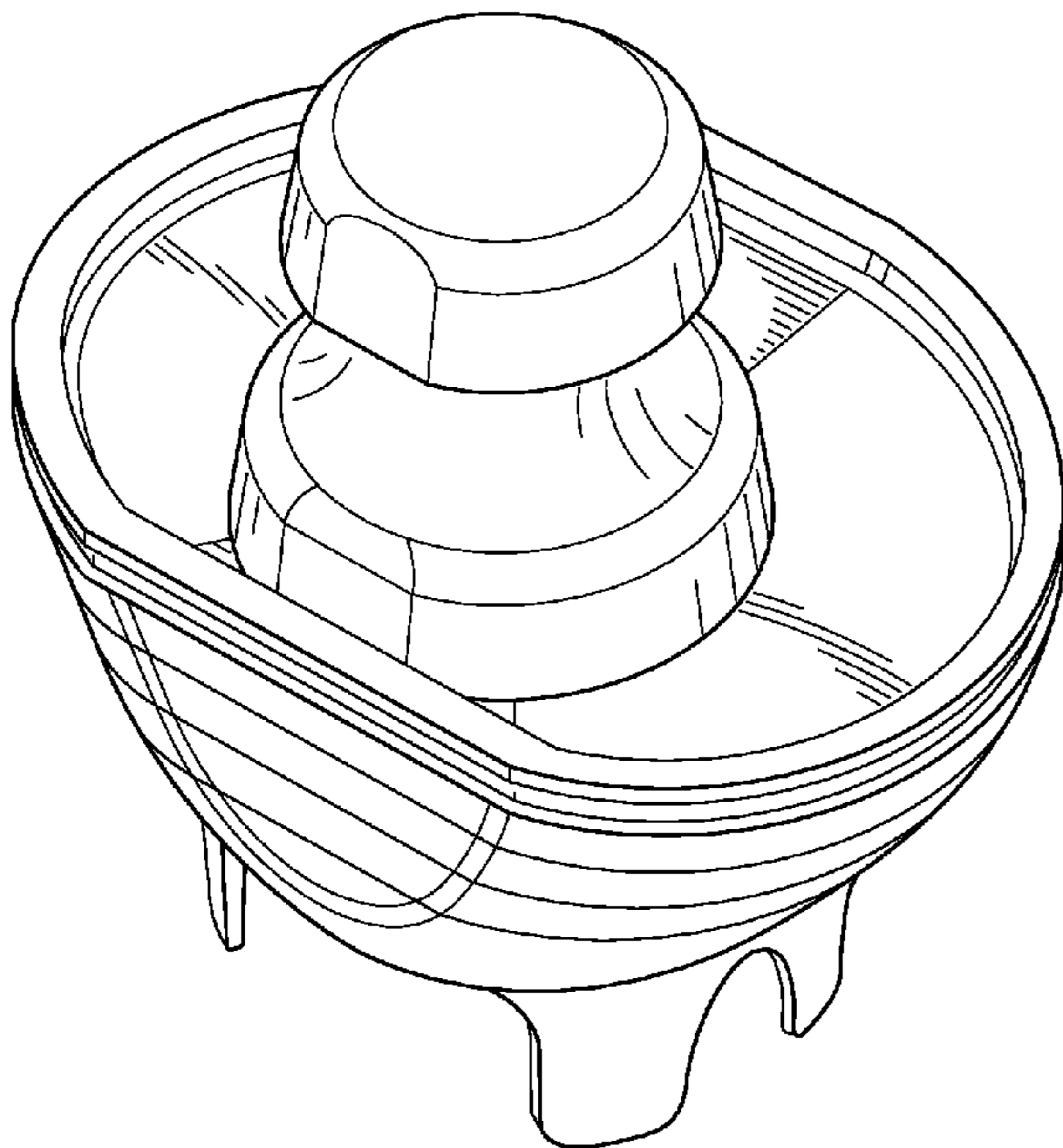
The ornamental design for a nebulizer, as shown and described.

DESCRIPTION

FIG. 1 is a perspective view of a nebulizer;
FIG. 2 is a front view thereof;
FIG. 3 is a left side view thereof, the right side view being a mirror image thereof;
FIG. 4 is a rear view thereof;
FIG. 5 is a top elevation view thereof;
FIG. 6 is a bottom elevation view thereof;
FIG. 7 is a perspective view of the nebulizer;
FIG. 8 is a front view of the nebulizer;
FIG. 9 is a left side view of the nebulizer;
FIG. 10 is a rear view of the nebulizer; and,
FIG. 11 is a top elevation view of the nebulizer.

The broken line showing on the bottom of the article is included for the purpose of illustrating environmental structure and forms no part of the claimed design.

1 Claim, 6 Drawing Sheets



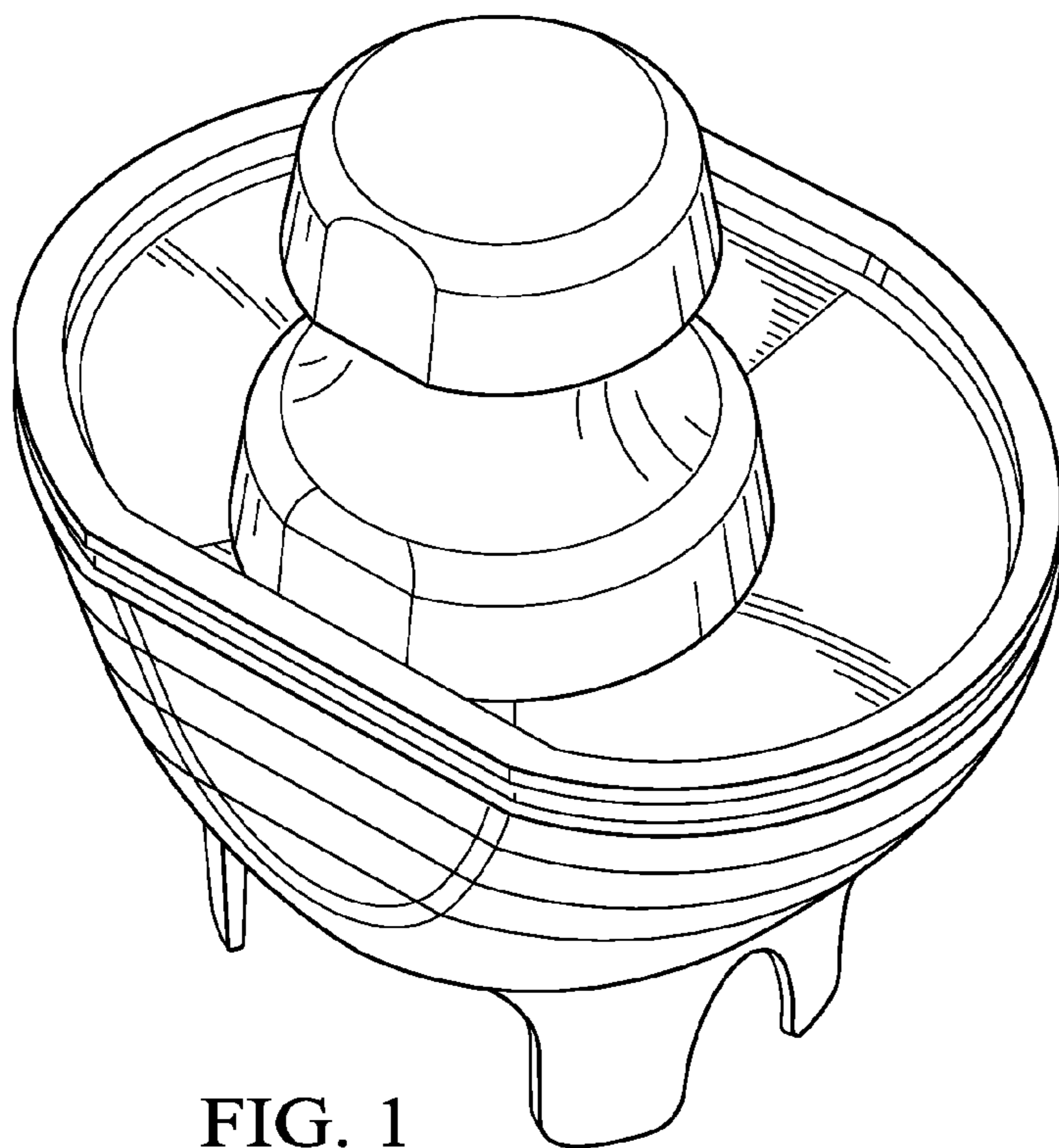


FIG. 1

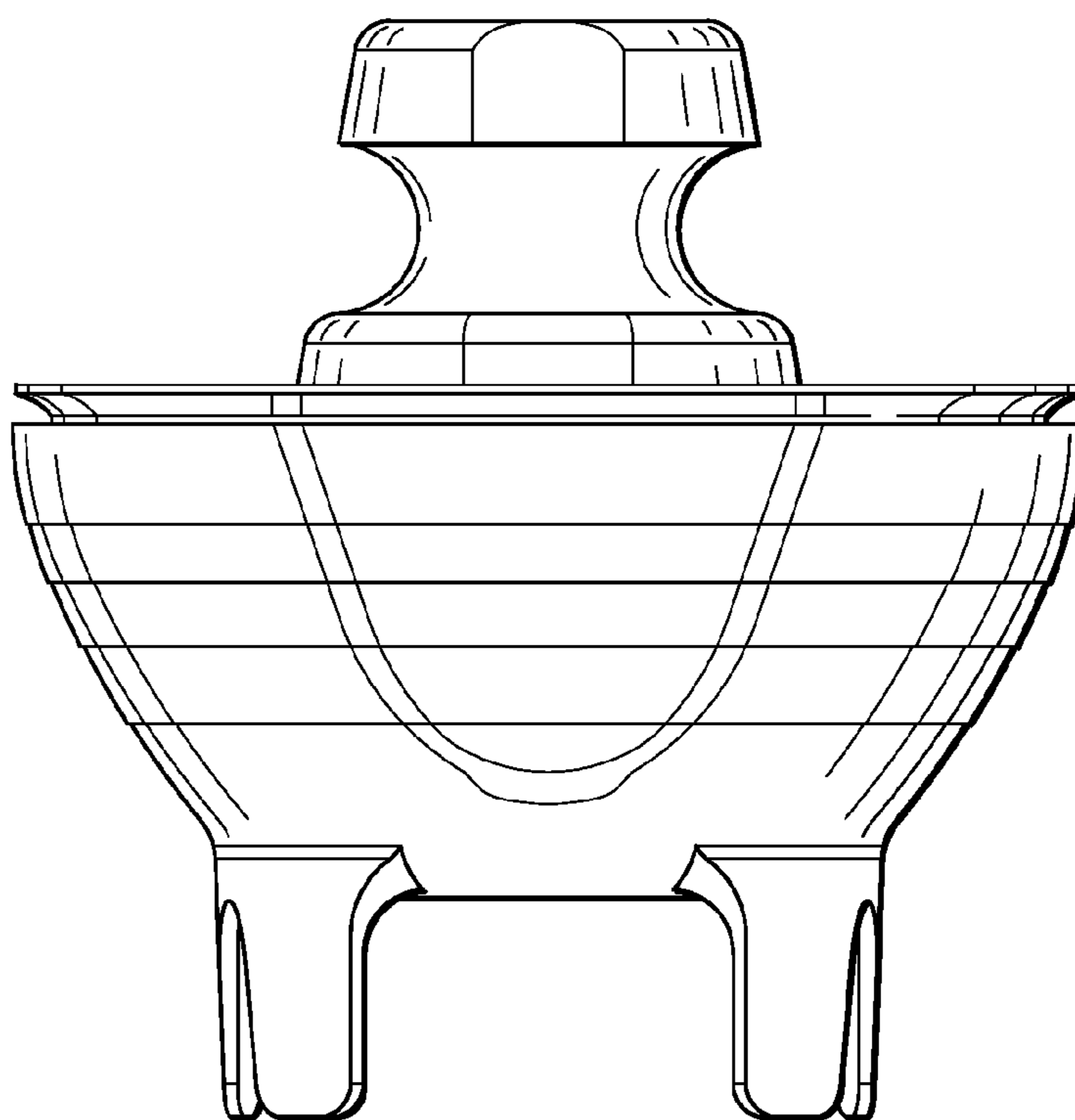


FIG. 2

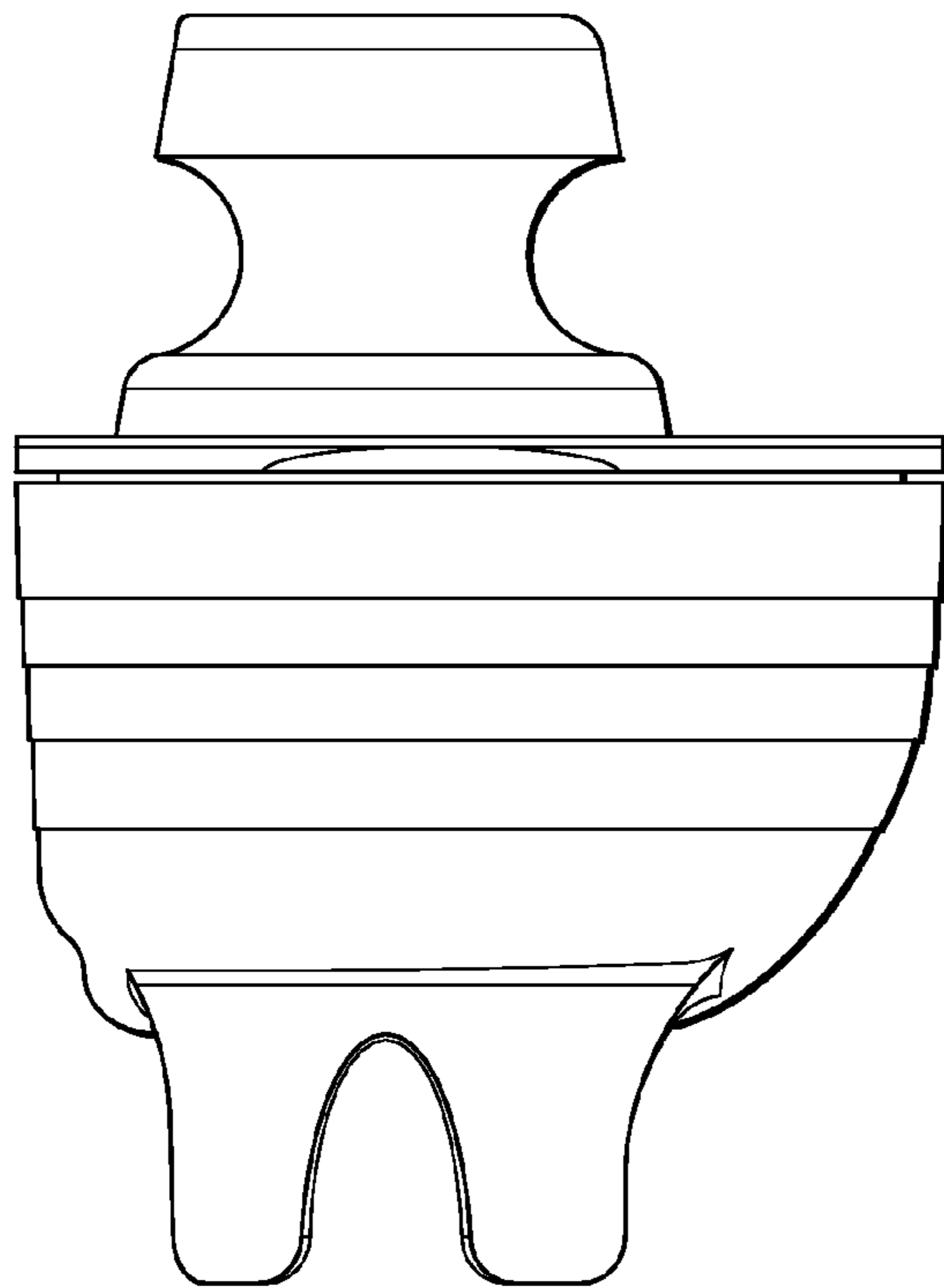


FIG. 3

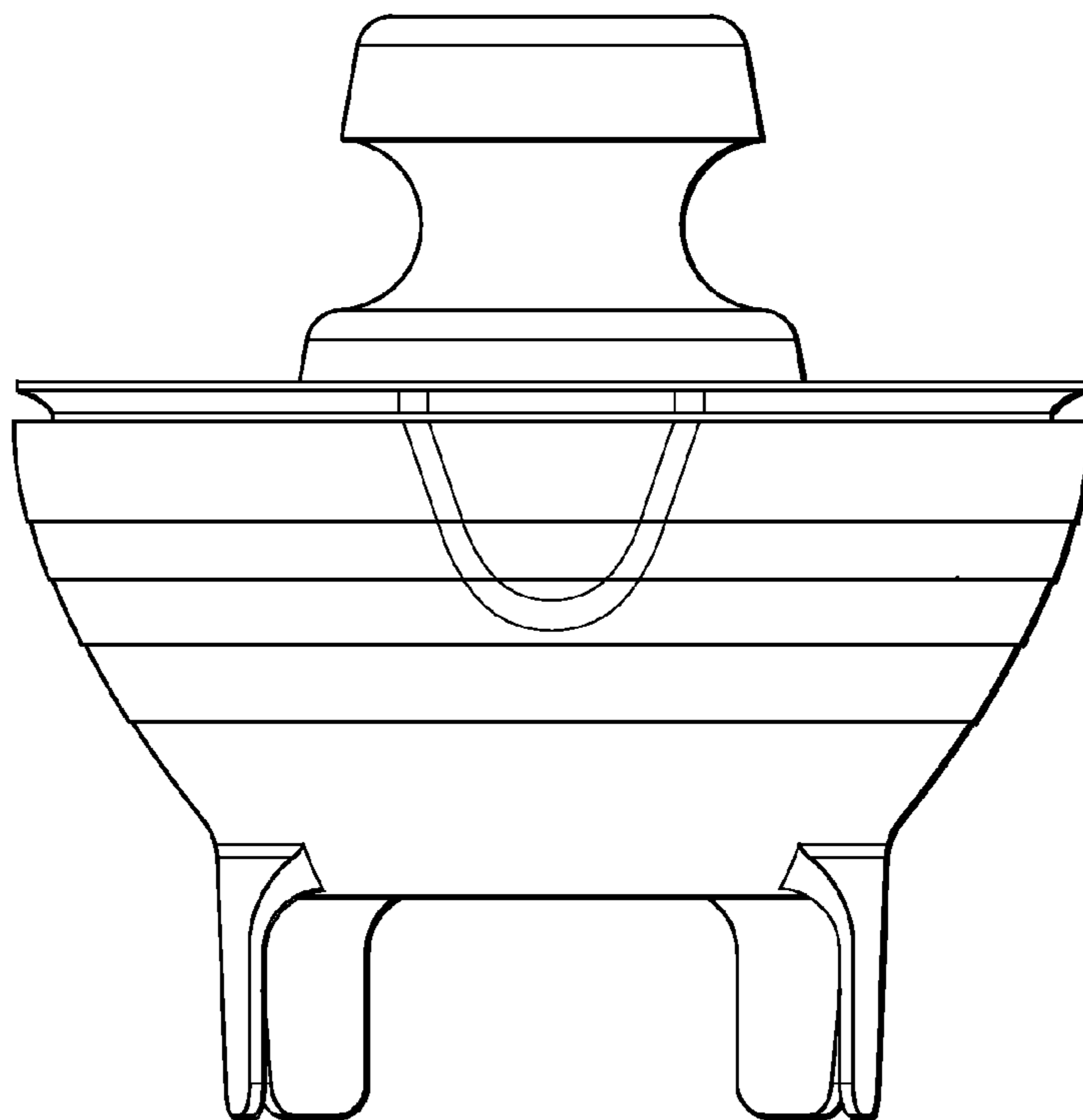


FIG. 4

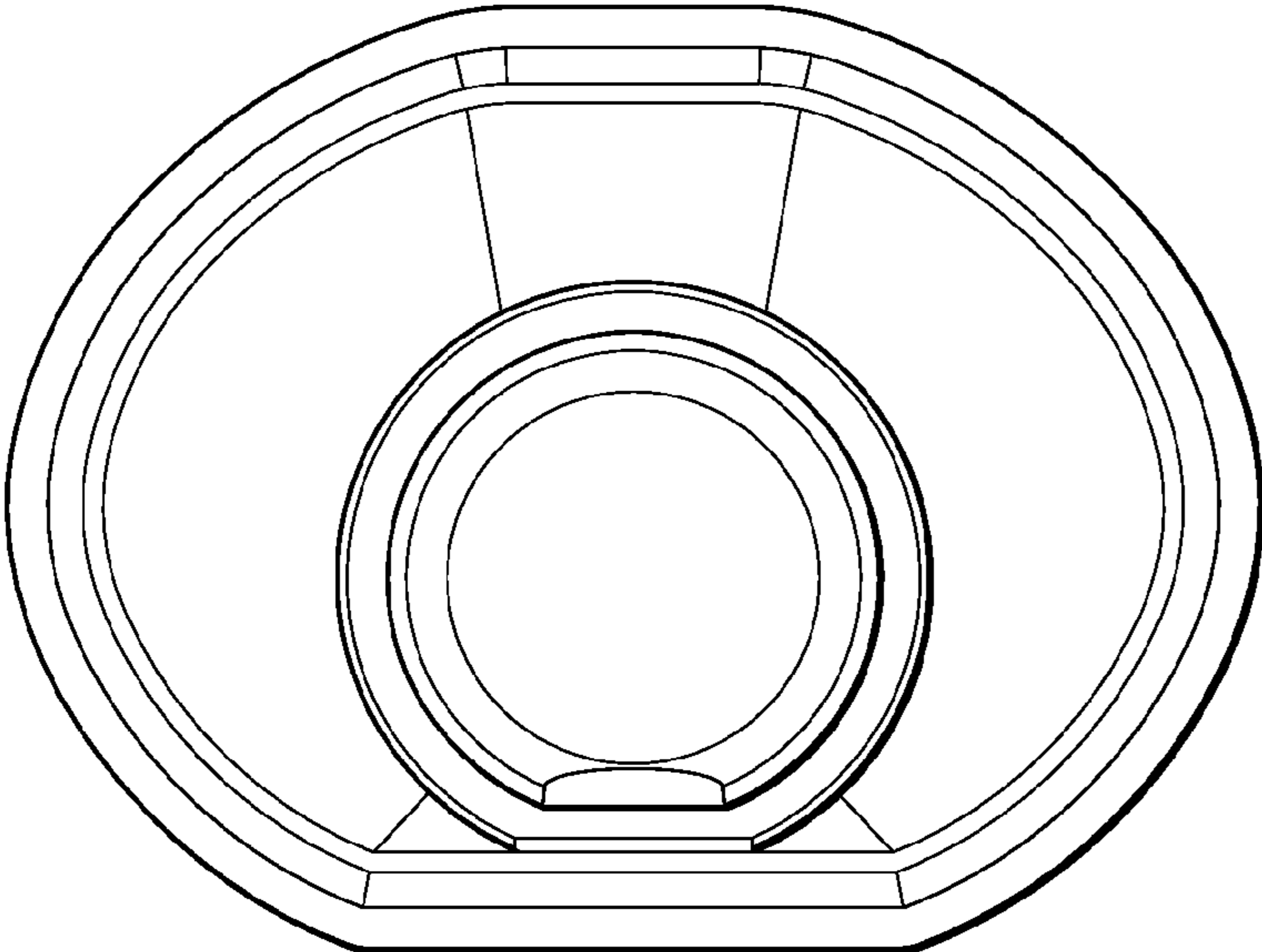


FIG. 5

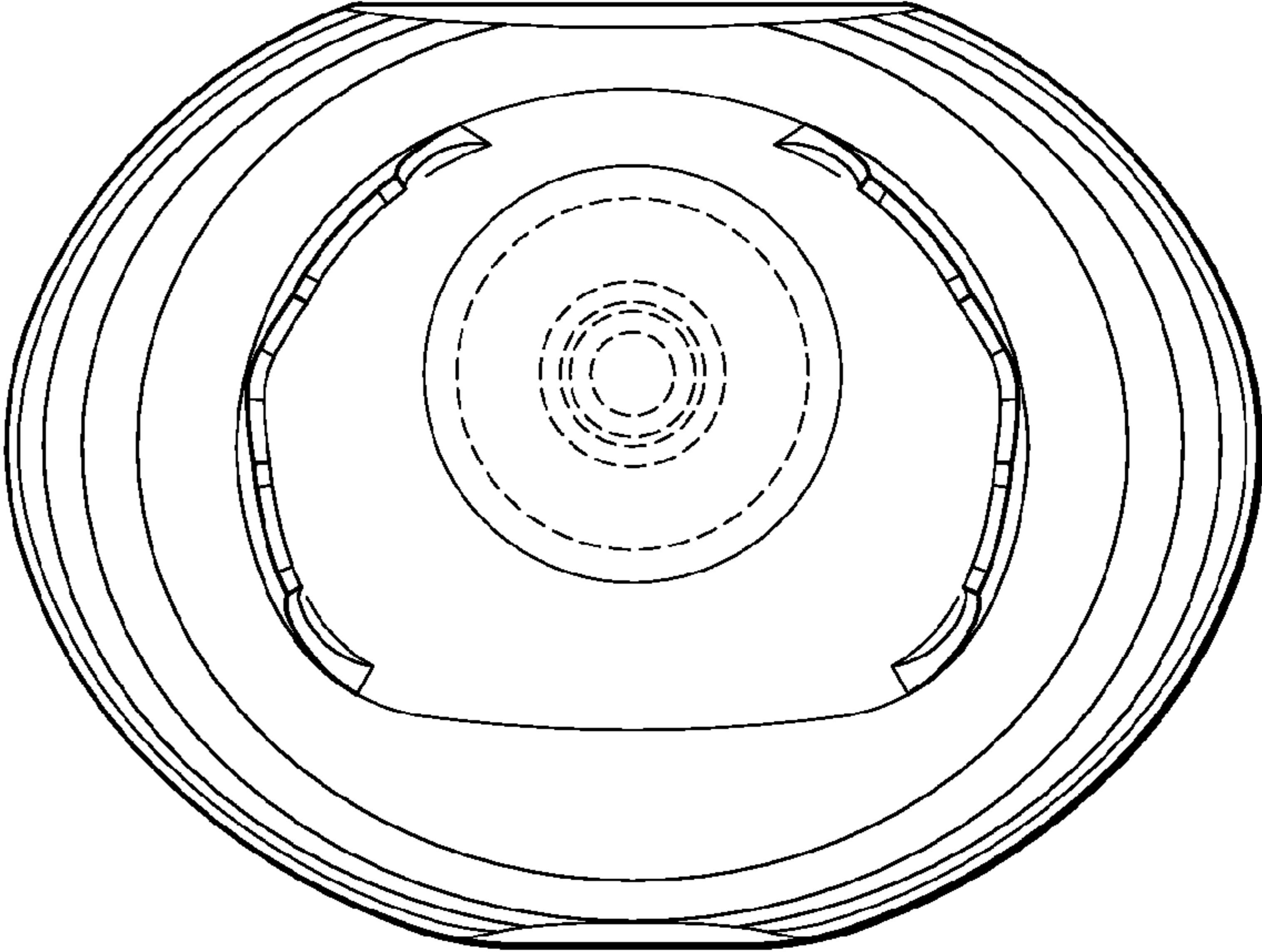


FIG. 6

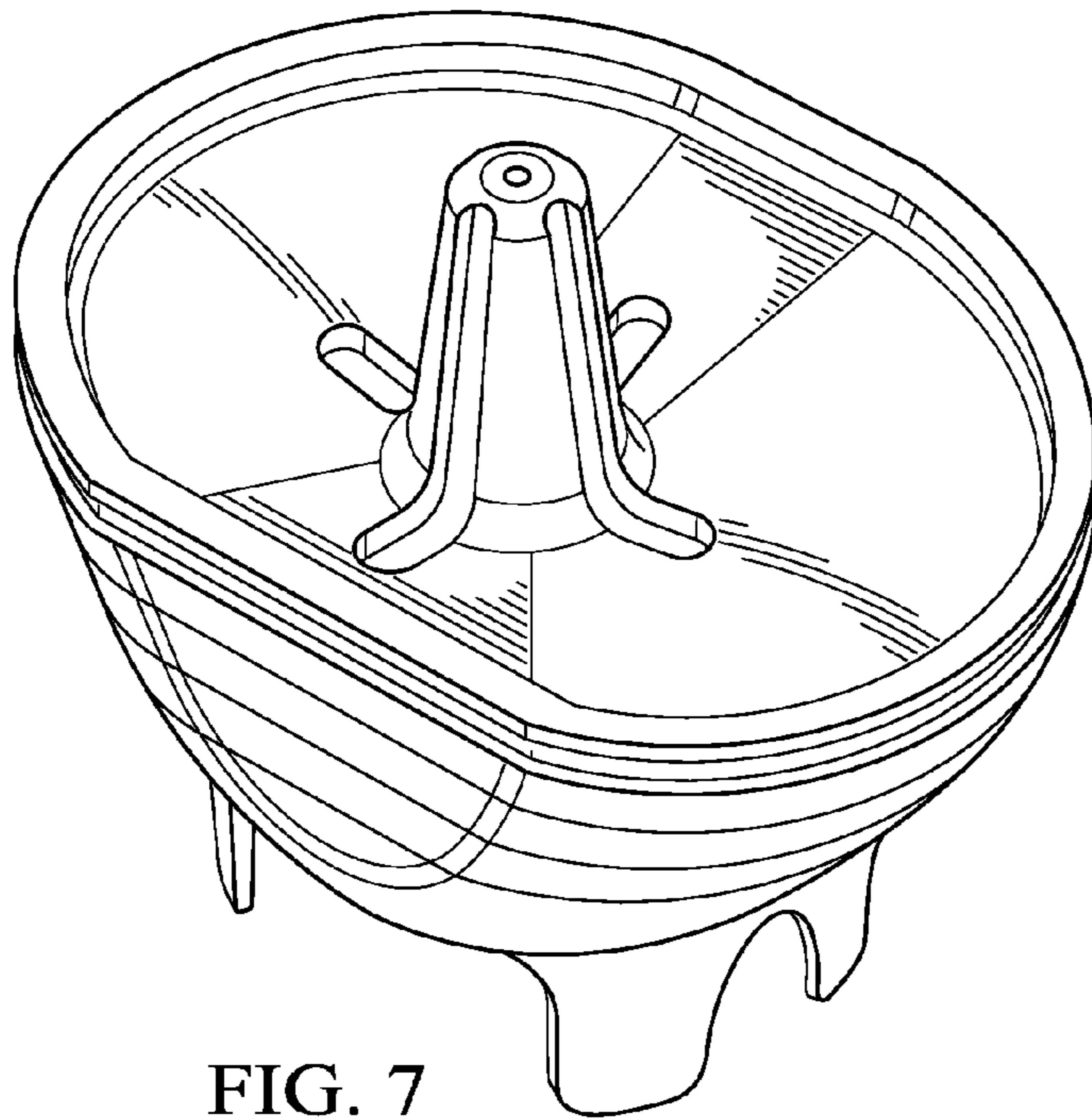


FIG. 7

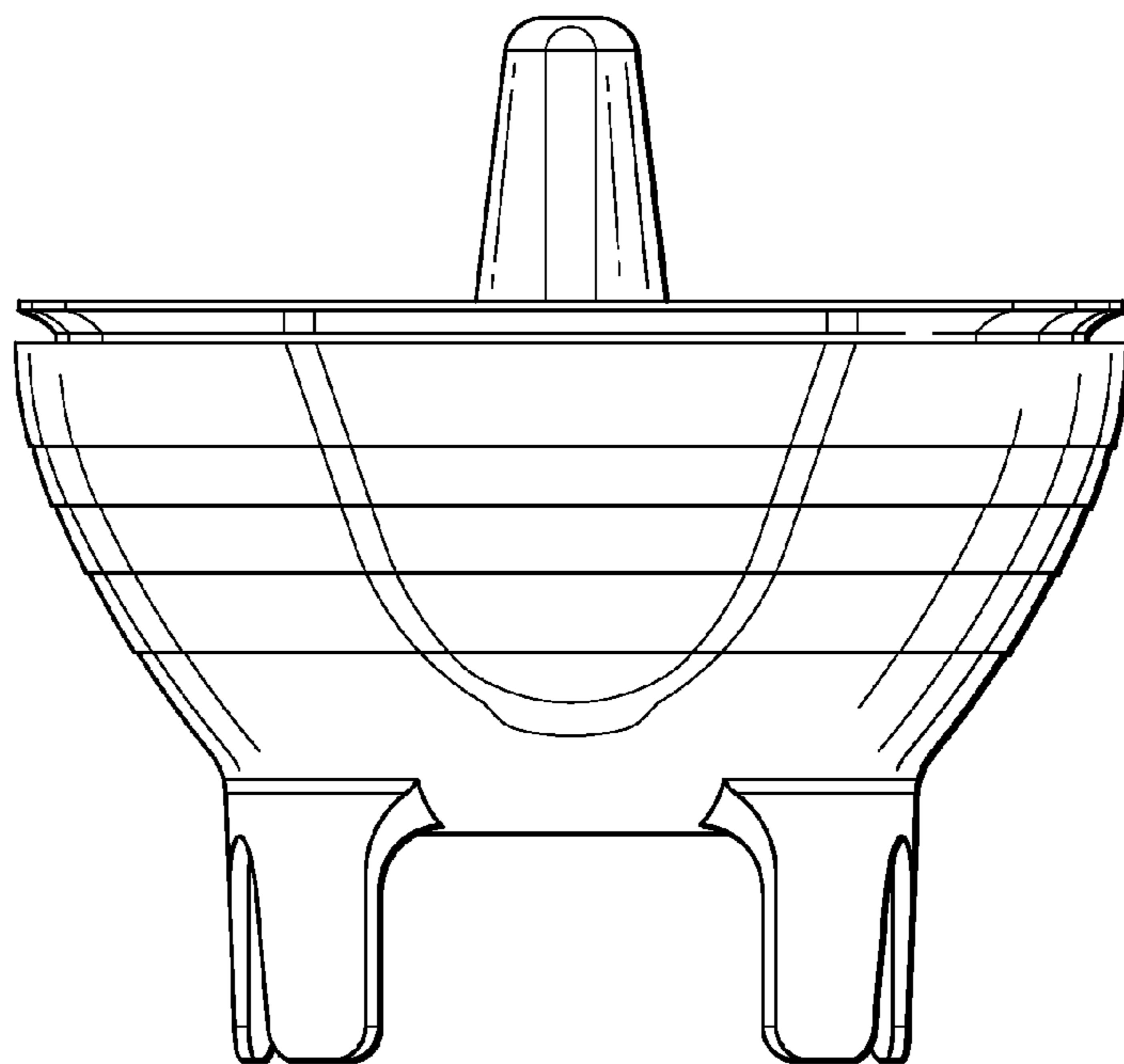


FIG. 8

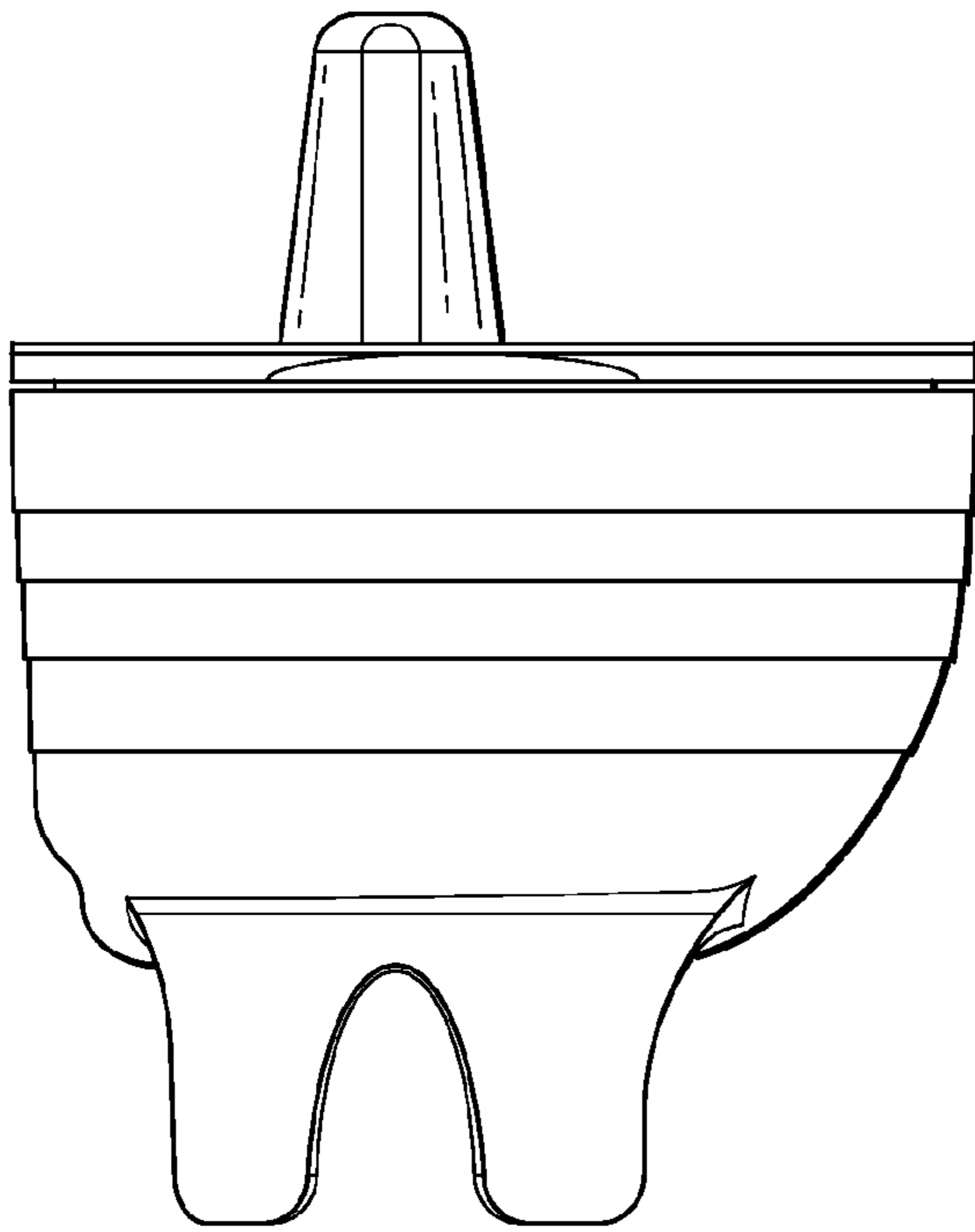


FIG. 9

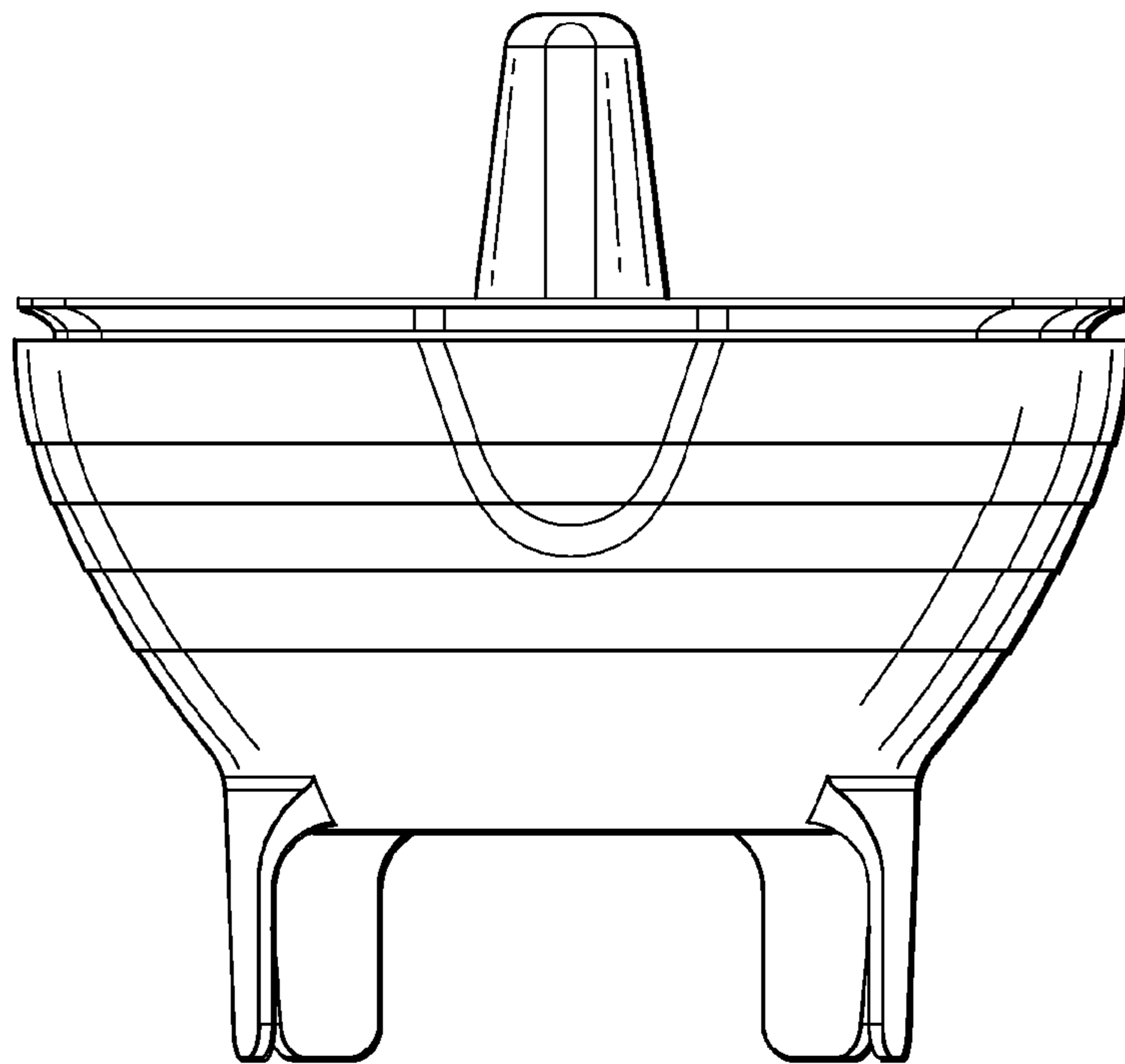


FIG. 10

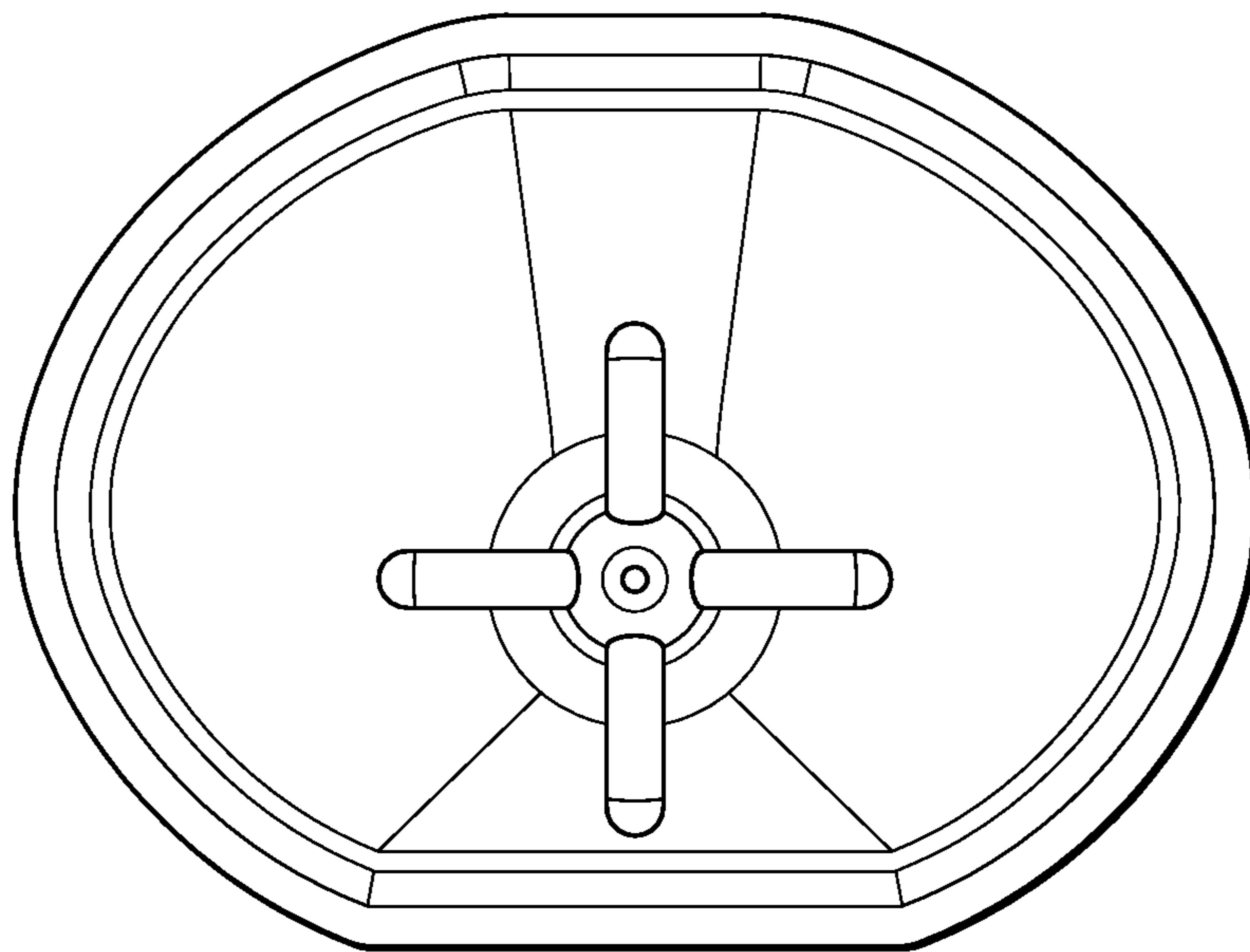


FIG. 11

UNITED STATES PATENT AND TRADEMARK OFFICE
CERTIFICATE OF CORRECTION

PATENT NO. : D689,185 S
APPLICATION NO. : 29/417297
DATED : September 3, 2013
INVENTOR(S) : Flickinger et al.

Page 1 of 1

It is certified that error appears in the above-identified patent and that said Letters Patent is hereby corrected as shown below:

On the Title Page

Please correct the description of the figures as shown below:

FIG. 1 is a perspective view of a nebulizer --with cap--;
FIG. 2 is a front view thereof;
FIG. 3 is a left side view thereof[[, the right side view being a mirror image thereof]];
FIG. 4 is a rear view thereof;
FIG. 5 is a top elevation view thereof;
FIG. 6 is a bottom elevation view thereof;
FIG. 7 is a perspective view of the nebulizer --with cap off--;
FIG. 8 is a front view of the nebulizer --with cap off--;
FIG. 9 is a left side view of the nebulizer --with cap off--;
FIG. 10 is a rear view of the nebulizer --with cap off--; and
FIG. 11 is a top elevation view of the nebulizer --with cap off--.

Signed and Sealed this
Twenty-second Day of October, 2013



Teresa Stanek Rea
Deputy Director of the United States Patent and Trademark Office