



US00D689184S

(12) **United States Design Patent**  
**Abe et al.**

(10) **Patent No.:** **US D689,184 S**  
(45) **Date of Patent:** **\*\* Sep. 3, 2013**

(54) **PLUG FOR USE AT AN END OF A TUBE**

(75) Inventors: **Yuji Abe**, Osaka (JP); **Tomio Yoshino**, Osaka (JP)

(73) Assignee: **Nippon Steel & Sumitomo Metal Corporation**, Tokyo (JP)

(\*\*) Term: **14 Years**

(21) Appl. No.: **29/415,863**

(22) Filed: **Mar. 15, 2012**

(30) **Foreign Application Priority Data**

Sep. 16, 2011 (JP) ..... 2011-021259

(51) **LOC (9) Cl.** ..... **23-02**

(52) **U.S. Cl.**  
USPC ..... **D23/386**

(58) **Field of Classification Search**  
USPC ..... D23/386, 260, 266; 138/89.1, 89.3, 138/89.4; 15/104.03, 104.05, 104.61; D22/108, 199, 117; 102/442, 529; 42/95; 299/111, 113; D15/21  
See application file for complete search history.

(56) **References Cited**

**U.S. PATENT DOCUMENTS**

3,356,418 A \* 12/1967 Healey et al. .... 299/113  
4,069,535 A \* 1/1978 Cato ..... 15/104.061  
4,244,073 A \* 1/1981 Sagawa ..... 15/104.061  
4,389,461 A \* 6/1983 Scott ..... 428/543  
D360,007 S \* 7/1995 Farr ..... D22/117  
5,702,160 A \* 12/1997 Levankovskii et al. .... 299/111  
6,102,486 A \* 8/2000 Briese ..... 299/111  
D432,230 S \* 10/2000 Utas ..... D24/112  
D581,952 S \* 12/2008 Hall et al. .... D15/21  
D597,637 S \* 8/2009 Krohmer et al. .... D23/266  
D601,592 S \* 10/2009 Watson et al. .... D15/21

D604,809 S \* 11/2009 Mannella ..... D23/260  
D615,182 S 5/2010 Abe et al.  
D615,642 S 5/2010 Abe et al.  
2004/0065484 A1\* 4/2004 McAlvain ..... 175/434

**FOREIGN PATENT DOCUMENTS**

JP D1366591 8/2009  
JP D1379826 2/2010

\* cited by examiner

*Primary Examiner* — David Muller

(74) *Attorney, Agent, or Firm* — Dennis R. Haszko

(57) **CLAIM**

The ornamental design for a plug for use at an end of a tube, as shown and described.

**DESCRIPTION**

FIG. 1 is a perspective view of the plug for use at an end of a tube;

FIG. 2 is a front view thereof;

FIG. 3 is a top plan view thereof;

FIG. 4 is a right side view thereof;

FIG. 5 is a left side view thereof;

FIG. 6 is an enlarged cross-sectional view along line 6-6 of FIG. 2;

FIG. 7 is an enlarged cross-sectional view along line 7-7 of FIG. 2;

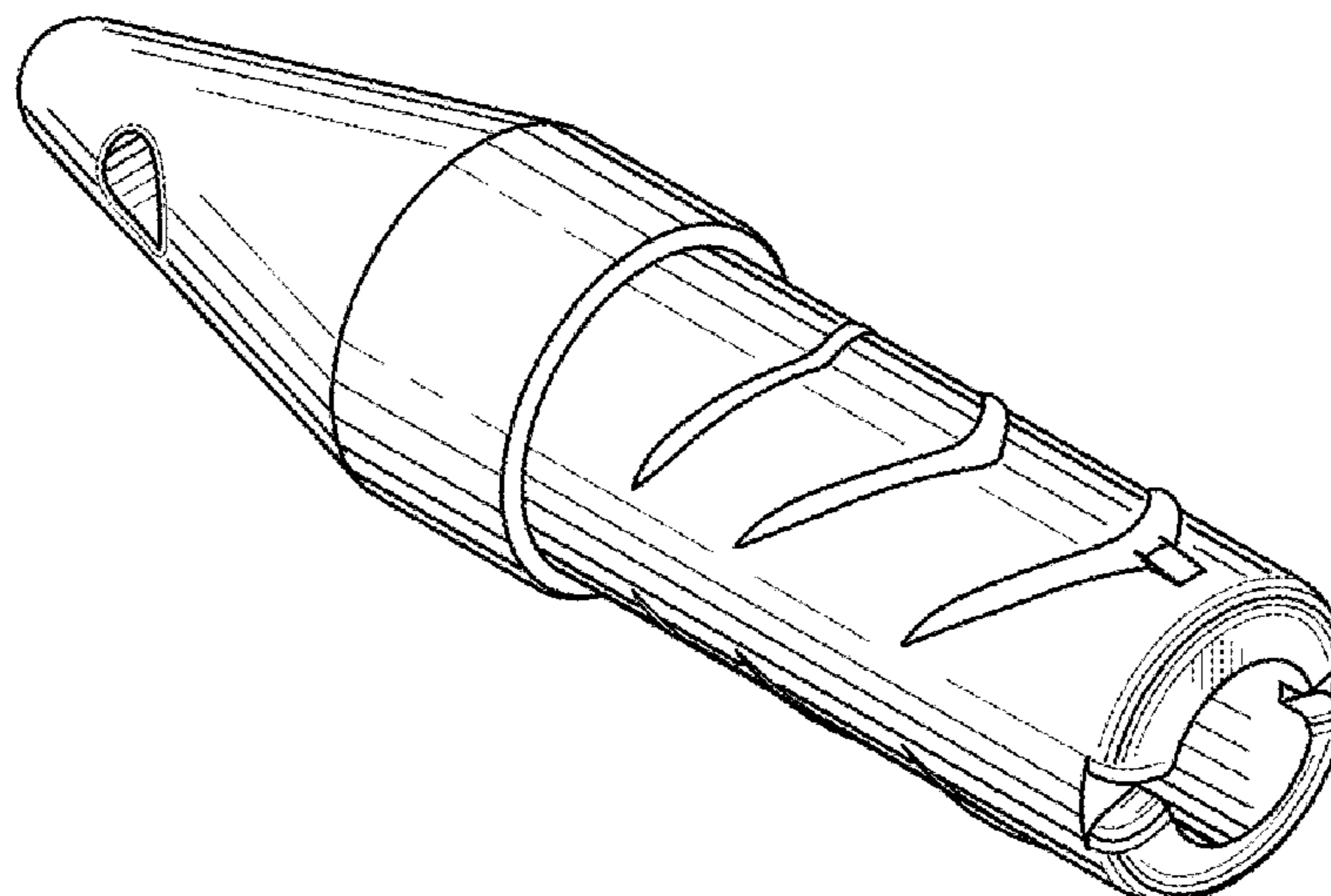
FIG. 8 is an enlarged cross-sectional view along line 8-8 of FIG. 3;

FIG. 9 is a reference view of the plug for use at an end of a tube together with a heat exchanger pipe for a steam generator; and,

FIG. 10 is a reference view of plugs located in ends of tubes of heat exchanger pipes for a steam generator, a tube support plate, and a tube plate.

The broken lines in the drawings are included to show use and environment and form no part of the claimed design.

**1 Claim, 5 Drawing Sheets**



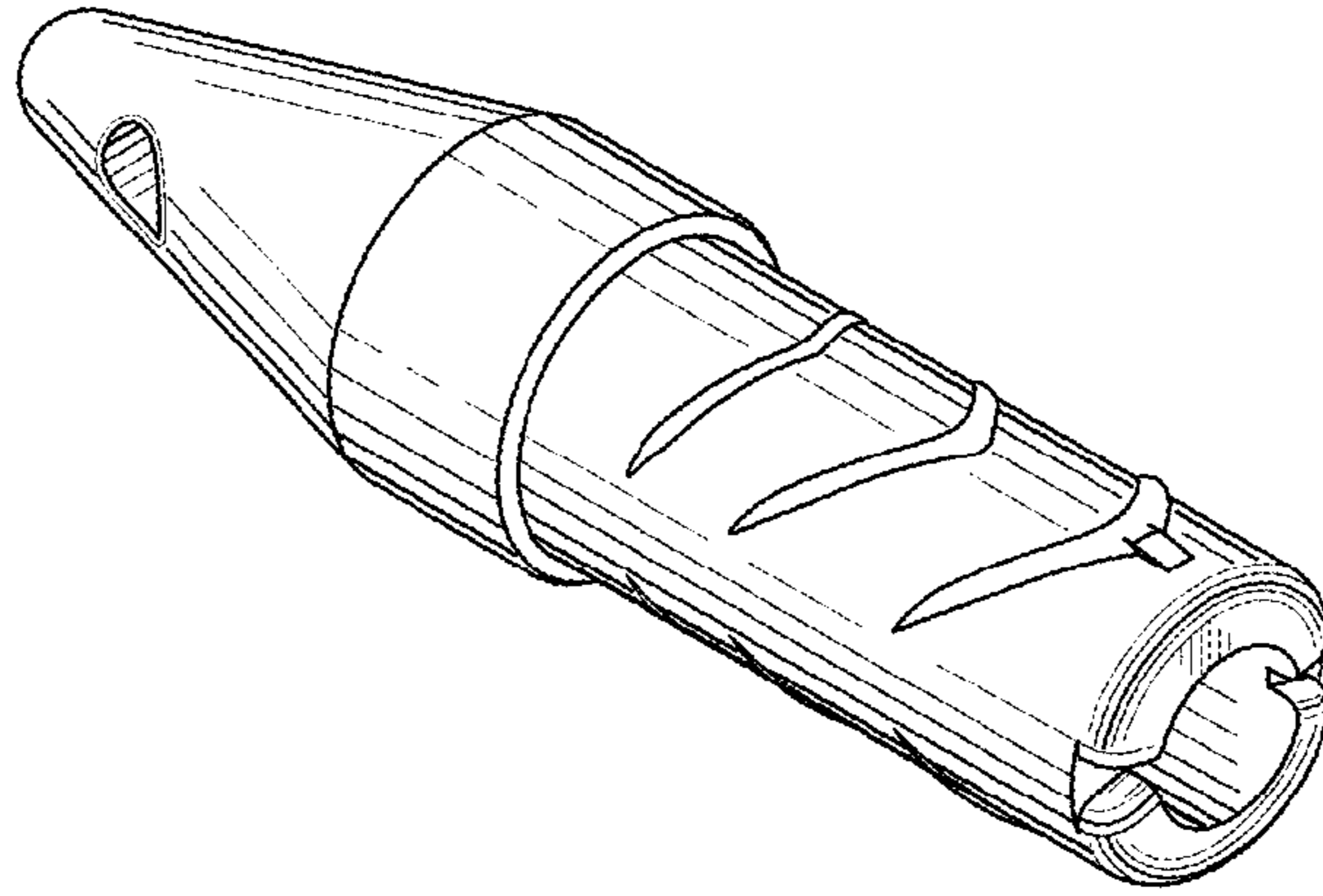


FIG.1

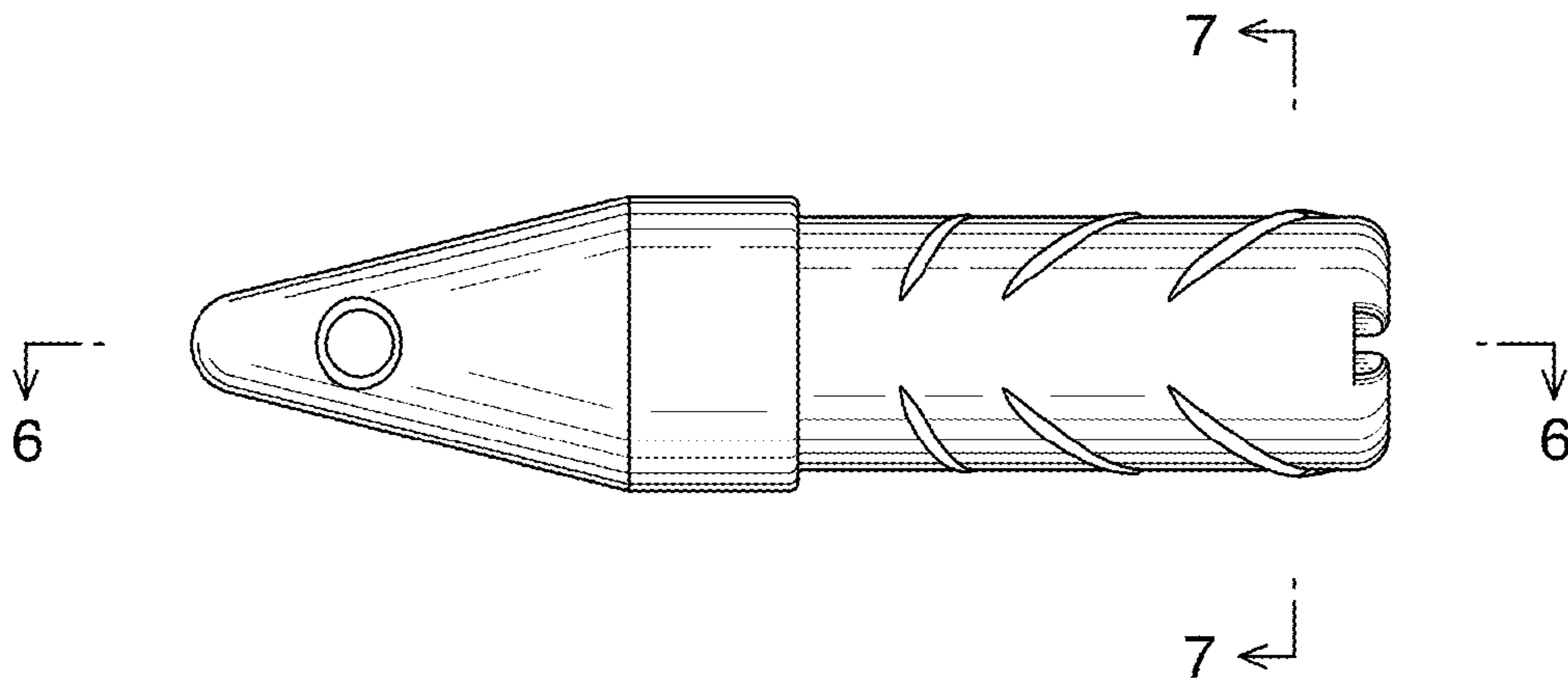


FIG.2

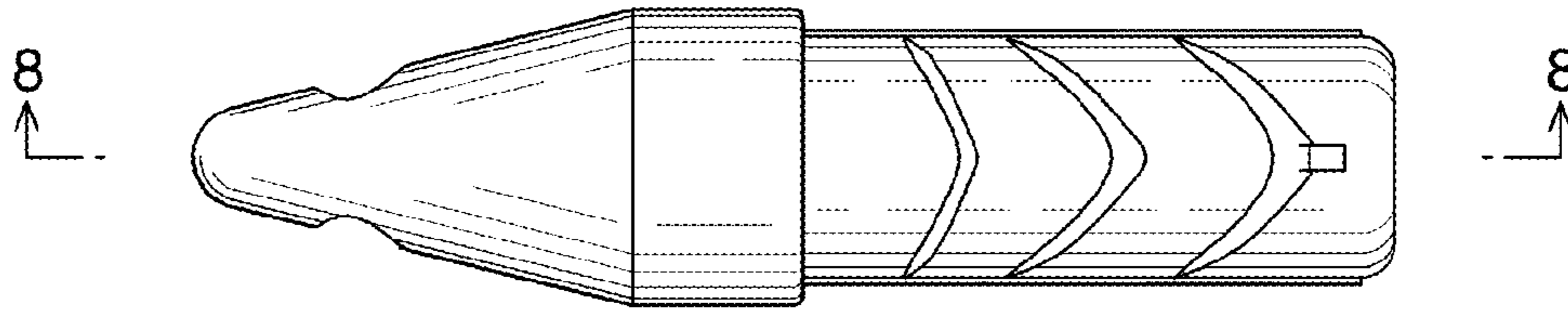


FIG.3

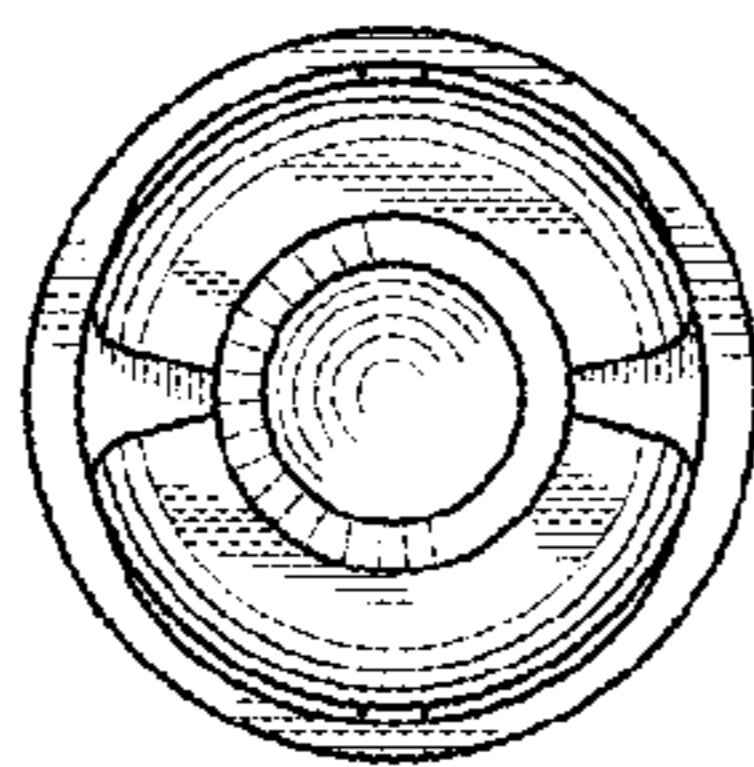


FIG.4

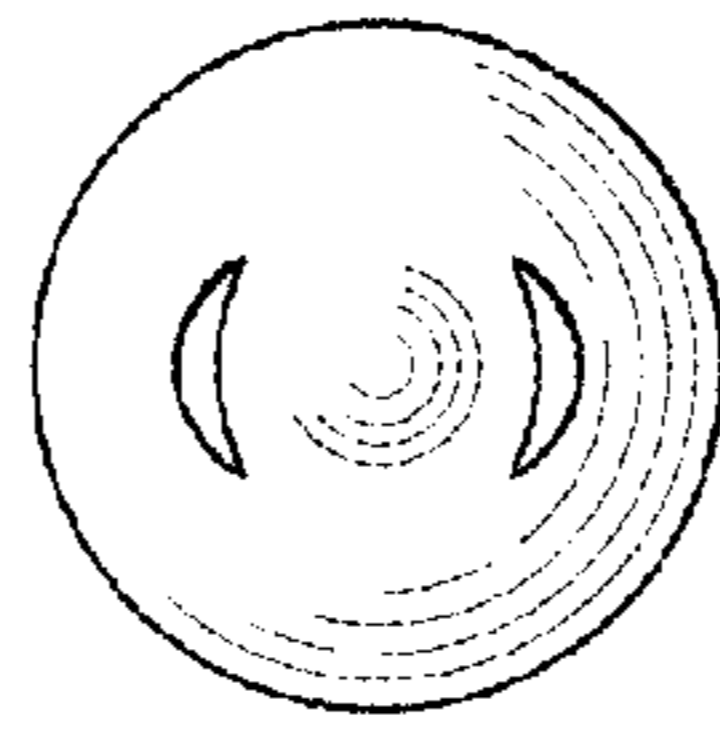


FIG. 5

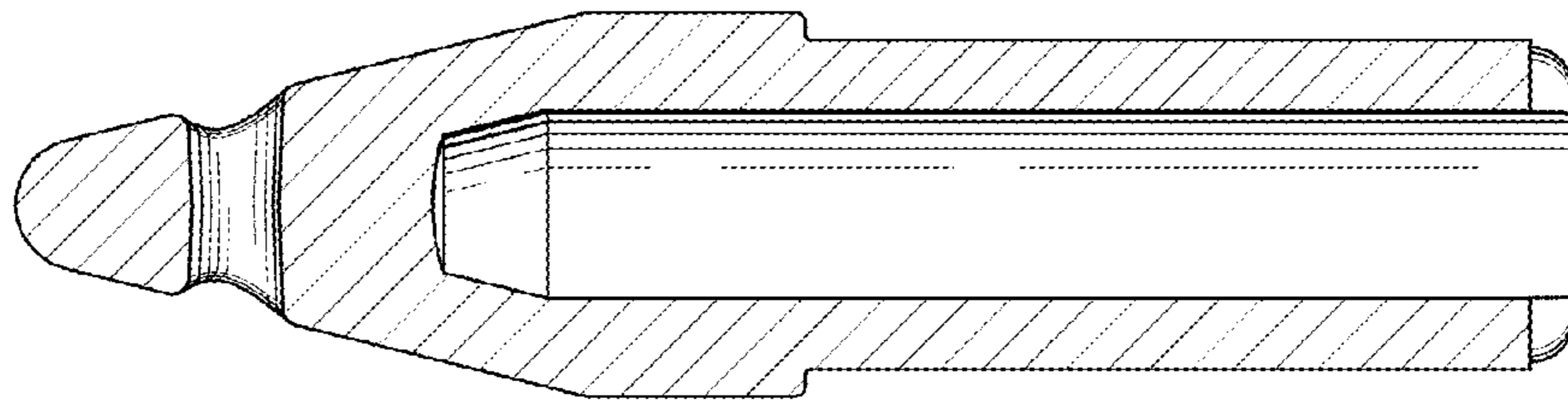


FIG. 6

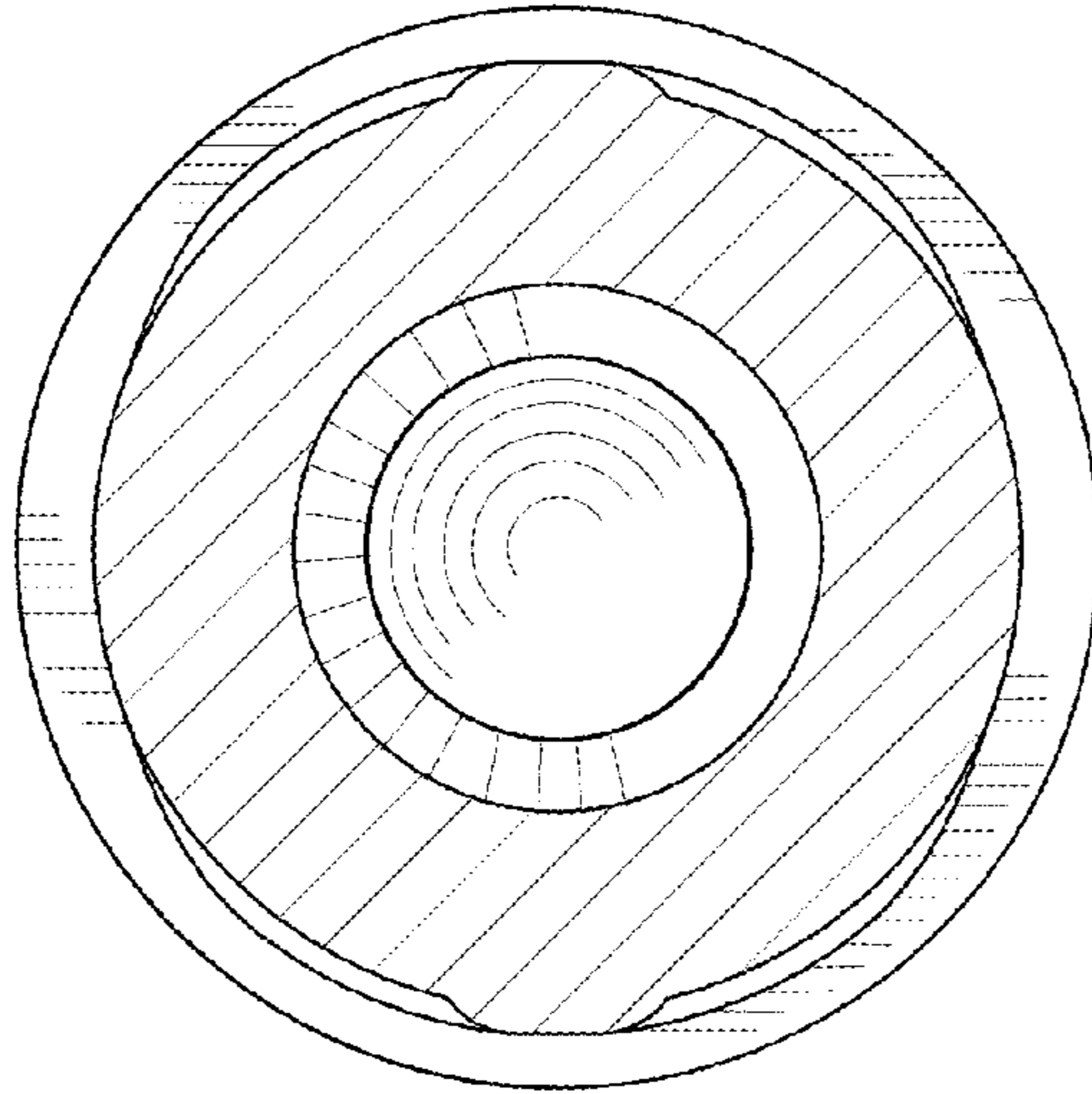


FIG.7

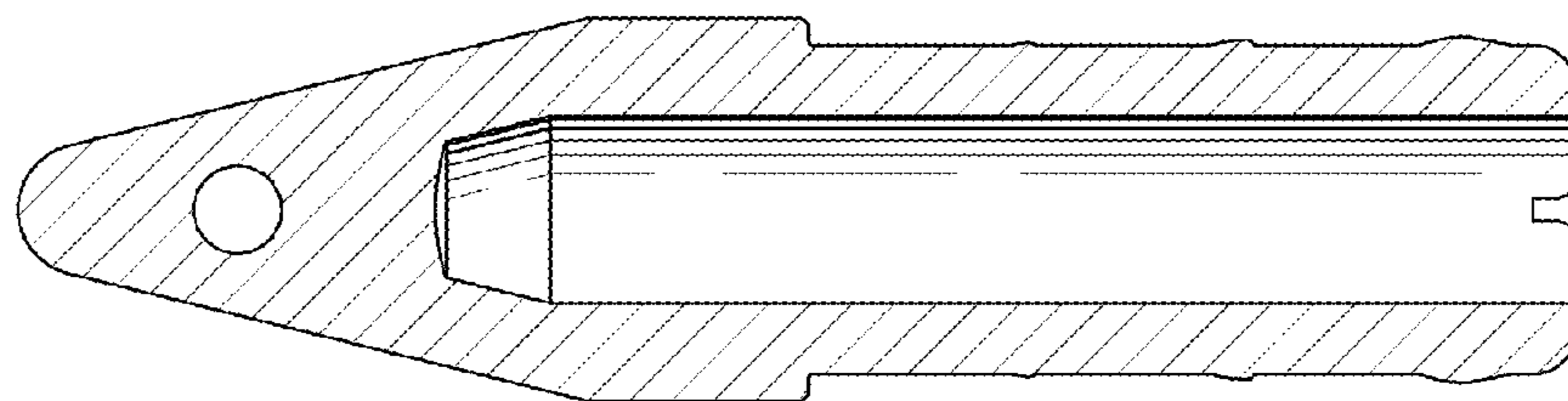


FIG.8



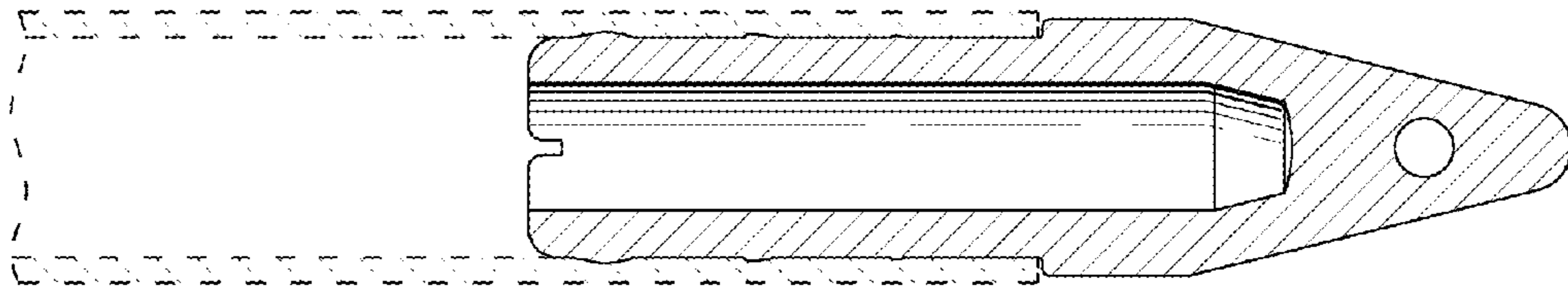


FIG. 9

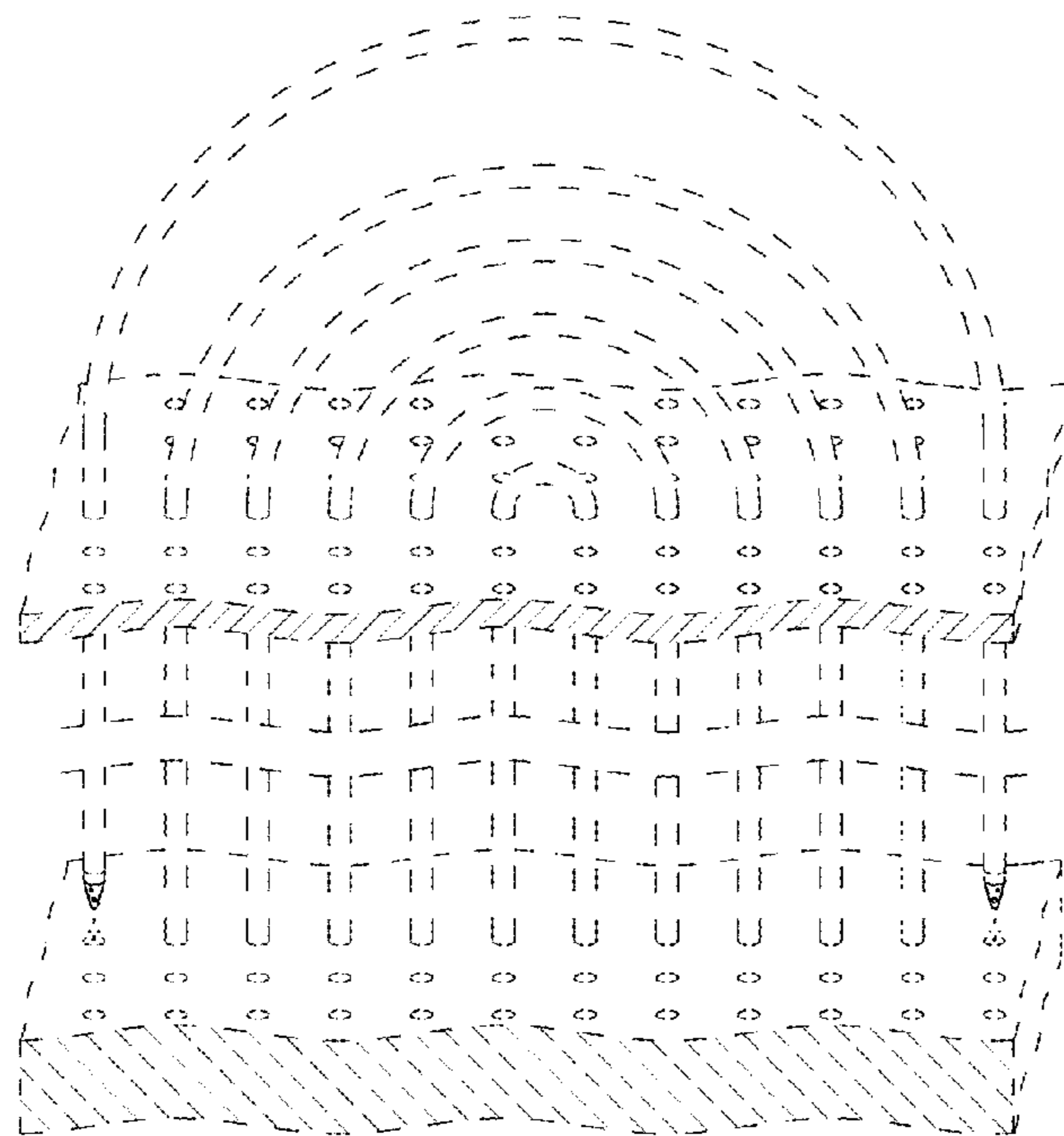


FIG. 10