



US00D689183S

(12) **United States Design Patent**  
**Chan**

(10) **Patent No.:** **US D689,183 S**

(45) **Date of Patent:** **\*\* Sep. 3, 2013**

(54) **ELECTRICAL FAN**

(75) Inventor: **Wing Hang Chan**, Kowloon (HK)

(73) Assignee: **Win Global Electrical Appliance Limited**, Kowloon (HK)

(\*\*) Term: **14 Years**

(21) Appl. No.: **29/393,353**

(22) Filed: **Jun. 3, 2011**

(51) **LOC (9) Cl.** ..... **23-04**

(52) **U.S. Cl.**  
USPC ..... **D23/382**

(58) **Field of Classification Search**  
USPC ..... D23/328, 335–337, 370–386, 397,  
D23/411–414; 248/676; 310/58, 59, 60 A,  
310/60 R, 61–65; 392/365–369, 373, 374,  
392/382, 383; 416/63, 179, 185, 186 R,  
416/187, 189, 235, 244 R, 246, 247 R  
See application file for complete search history.

(56) **References Cited**

**U.S. PATENT DOCUMENTS**

D339,859 S \* 9/1993 Cheslock ..... D23/382  
D346,019 S \* 4/1994 Cheslock et al. .... D23/382

D397,192 S \* 8/1998 Chiu et al. .... D23/328  
D398,983 S \* 9/1998 Keller et al. .... D23/382  
D402,363 S \* 12/1998 Birdsell et al. .... D23/382  
D405,520 S \* 2/1999 Birdsell et al. .... D23/382  
D421,114 S \* 2/2000 Lozzio et al. .... D23/382  
D422,073 S \* 3/2000 Lozzio et al. .... D23/382  
D539,402 S \* 3/2007 Blateri ..... D23/336  
D617,440 S \* 6/2010 Ching ..... D23/382  
D621,025 S \* 8/2010 Peterson et al. .... D23/382

\* cited by examiner

*Primary Examiner* — Garth Rademaker

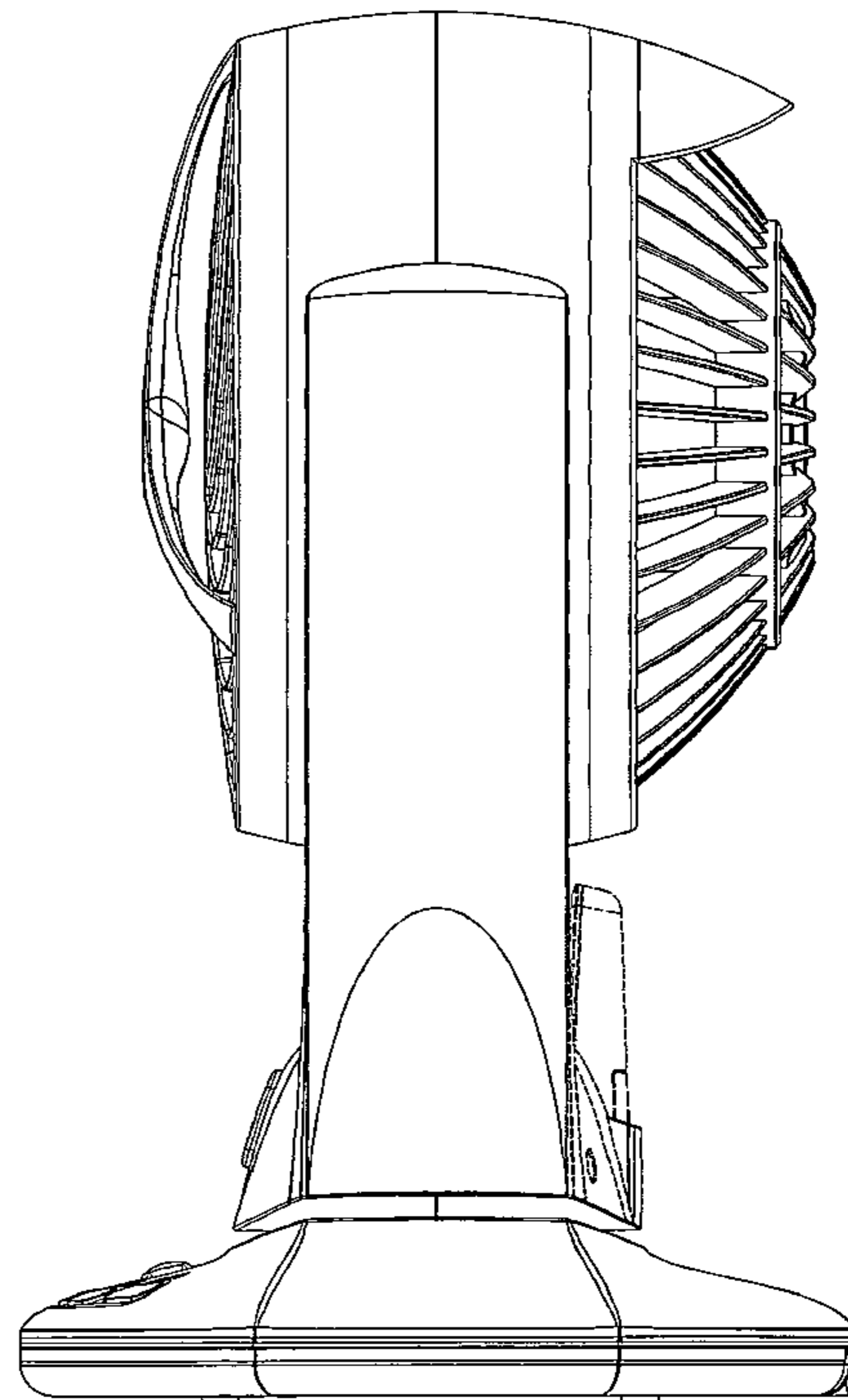
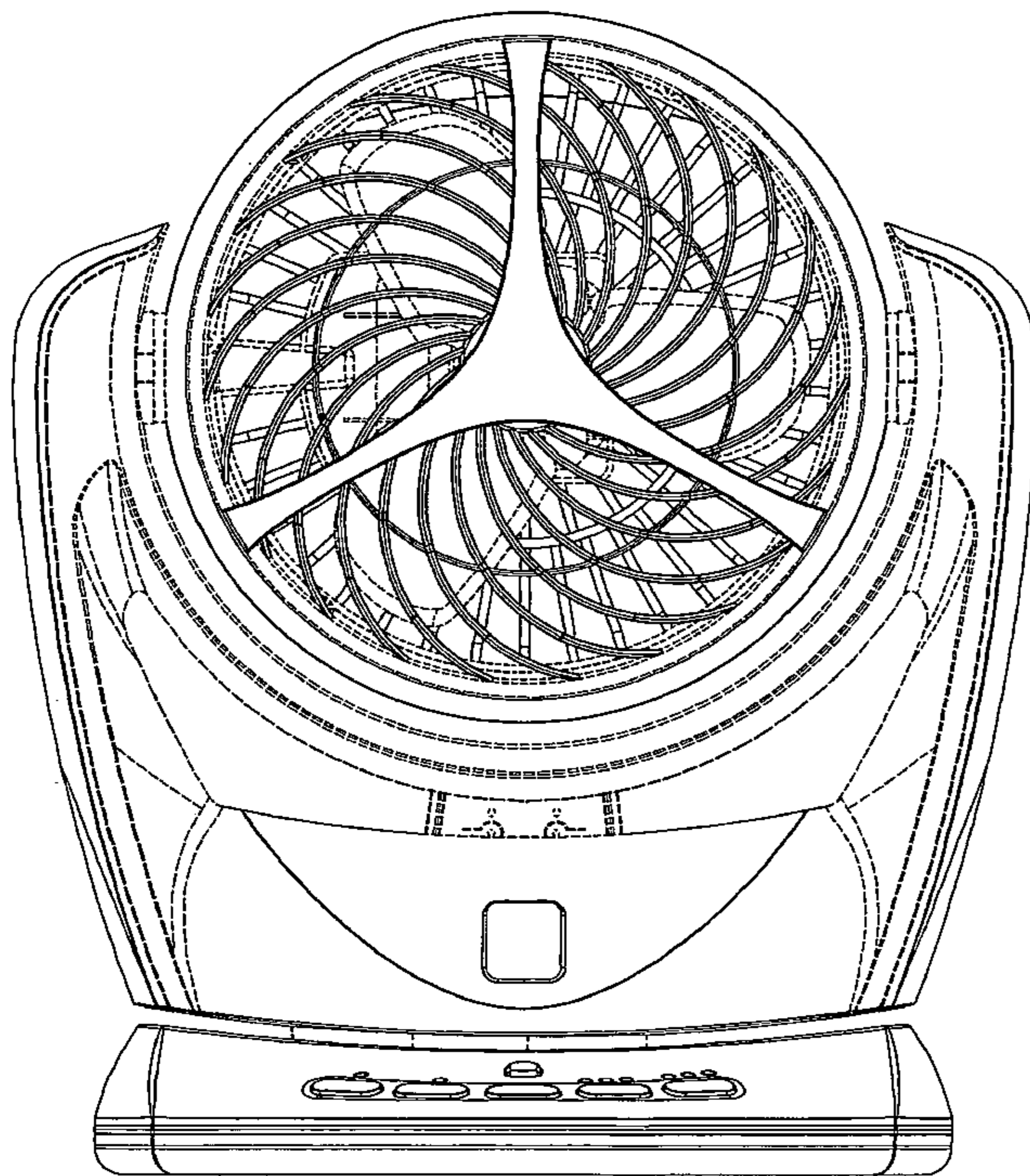
(57) **CLAIM**

The ornamental design for an electrical fan, as shown and described.

**DESCRIPTION**

FIG. 1 is a front elevational view of an electrical fan showing my new design;  
FIG. 2 is a rear elevational view thereof;  
FIG. 3 is a left side view thereof;  
FIG. 4 is a right side view thereof;  
FIG. 5 is a top plan view thereof; and,  
FIG. 6 is a bottom plan view thereof.  
The broken lines depict portions of the electrical fan which form no part of the claimed design.

**1 Claim, 6 Drawing Sheets**



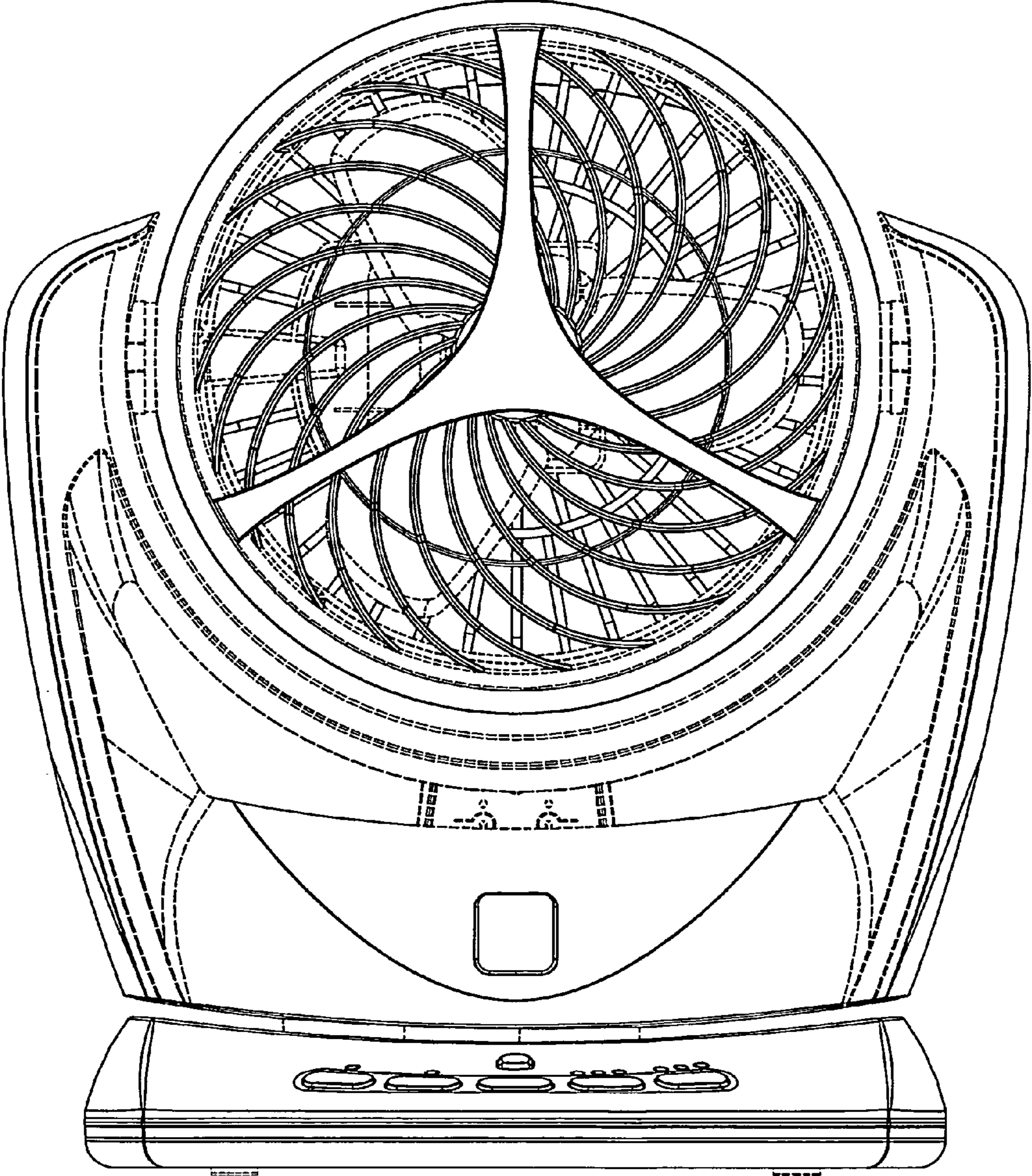


FIG. 1

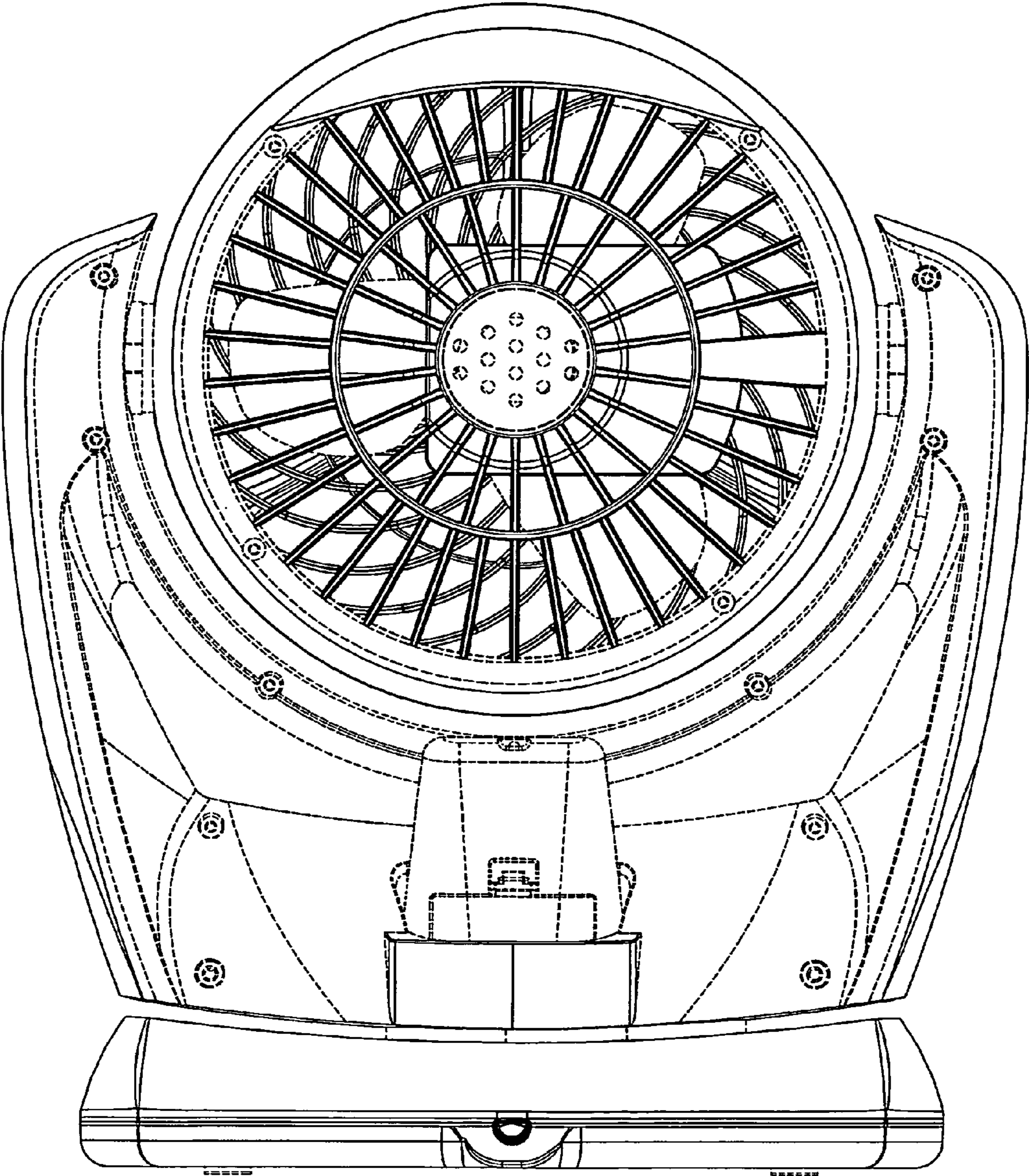


FIG. 2

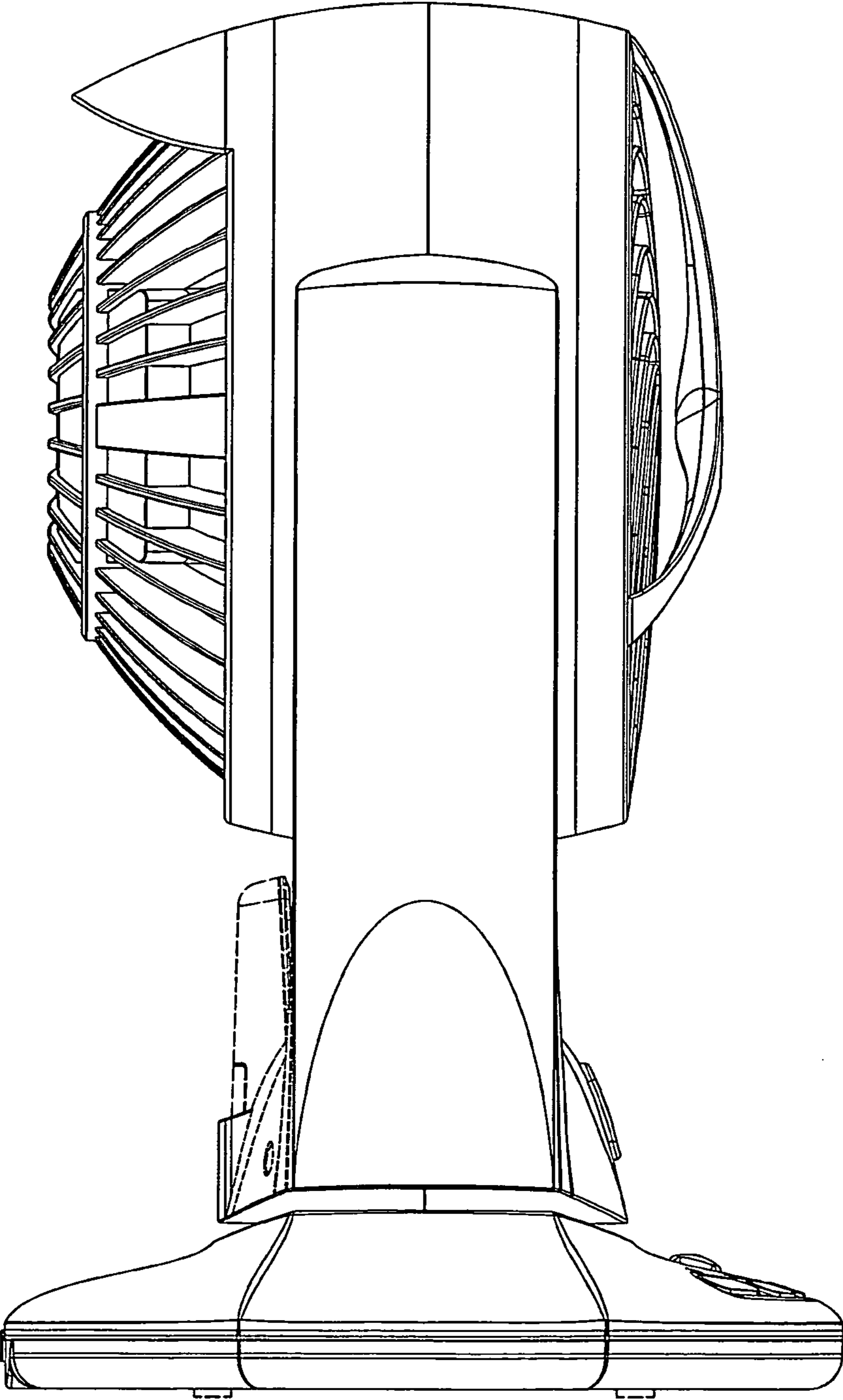


FIG. 3

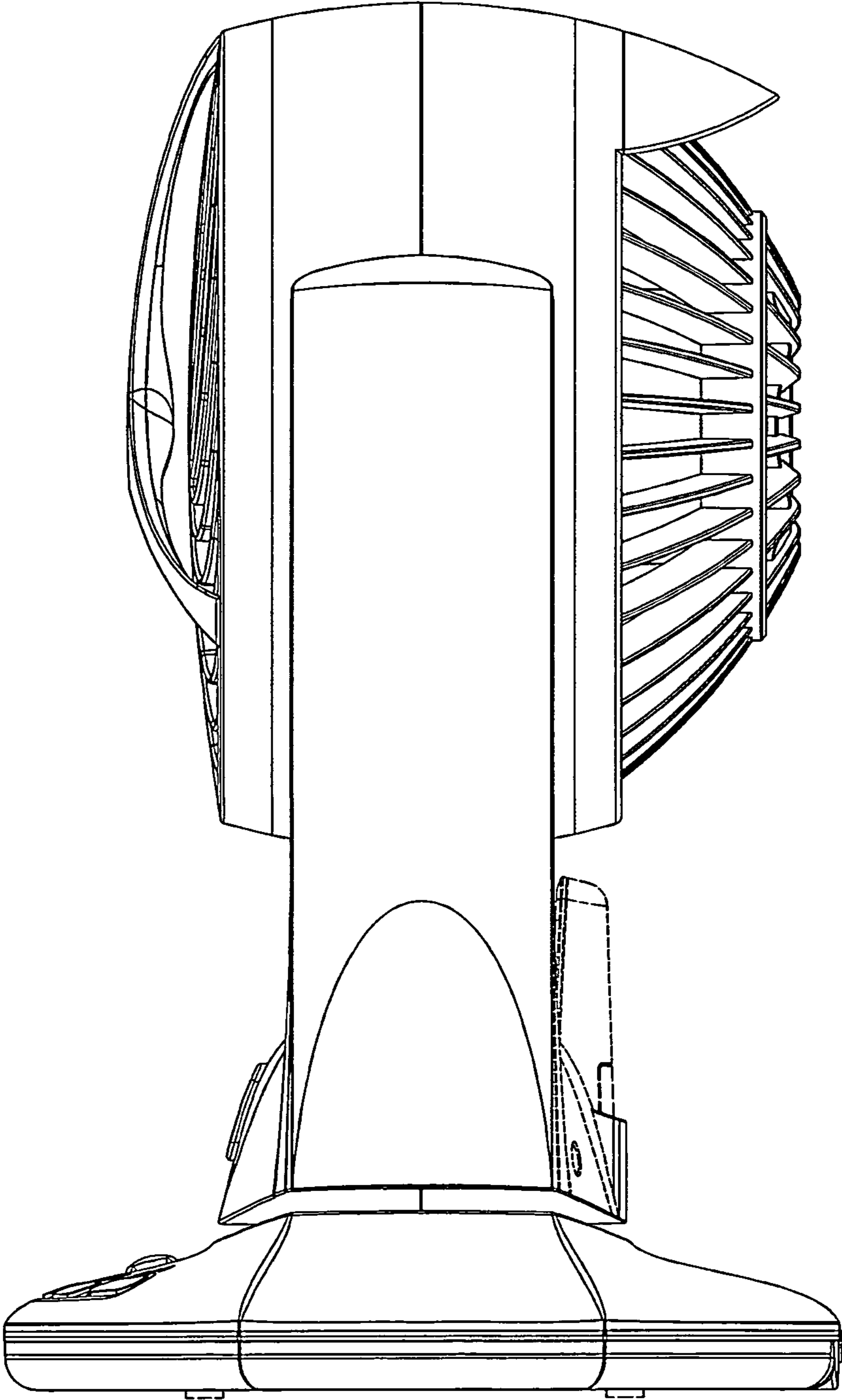


FIG. 4

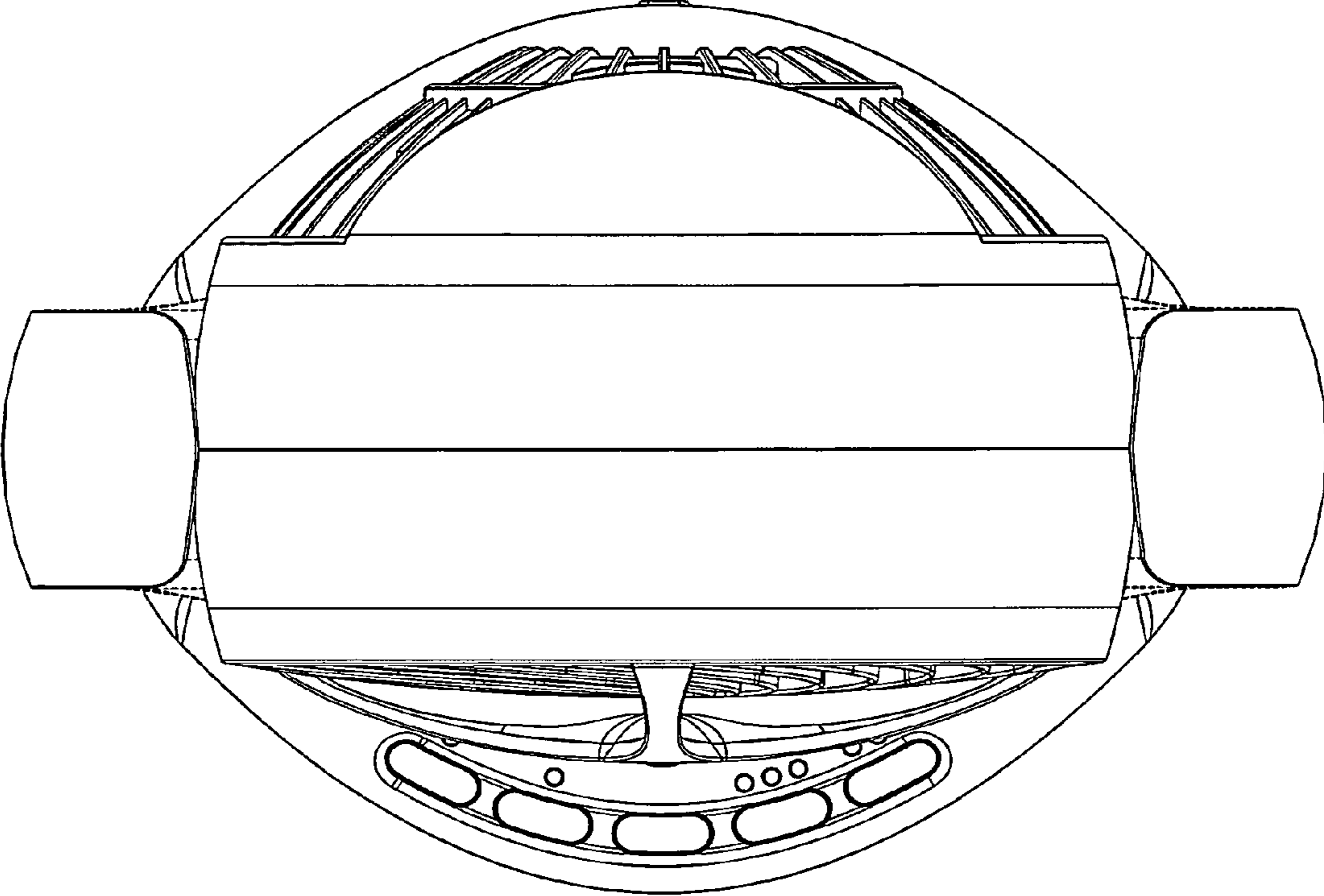


FIG. 5

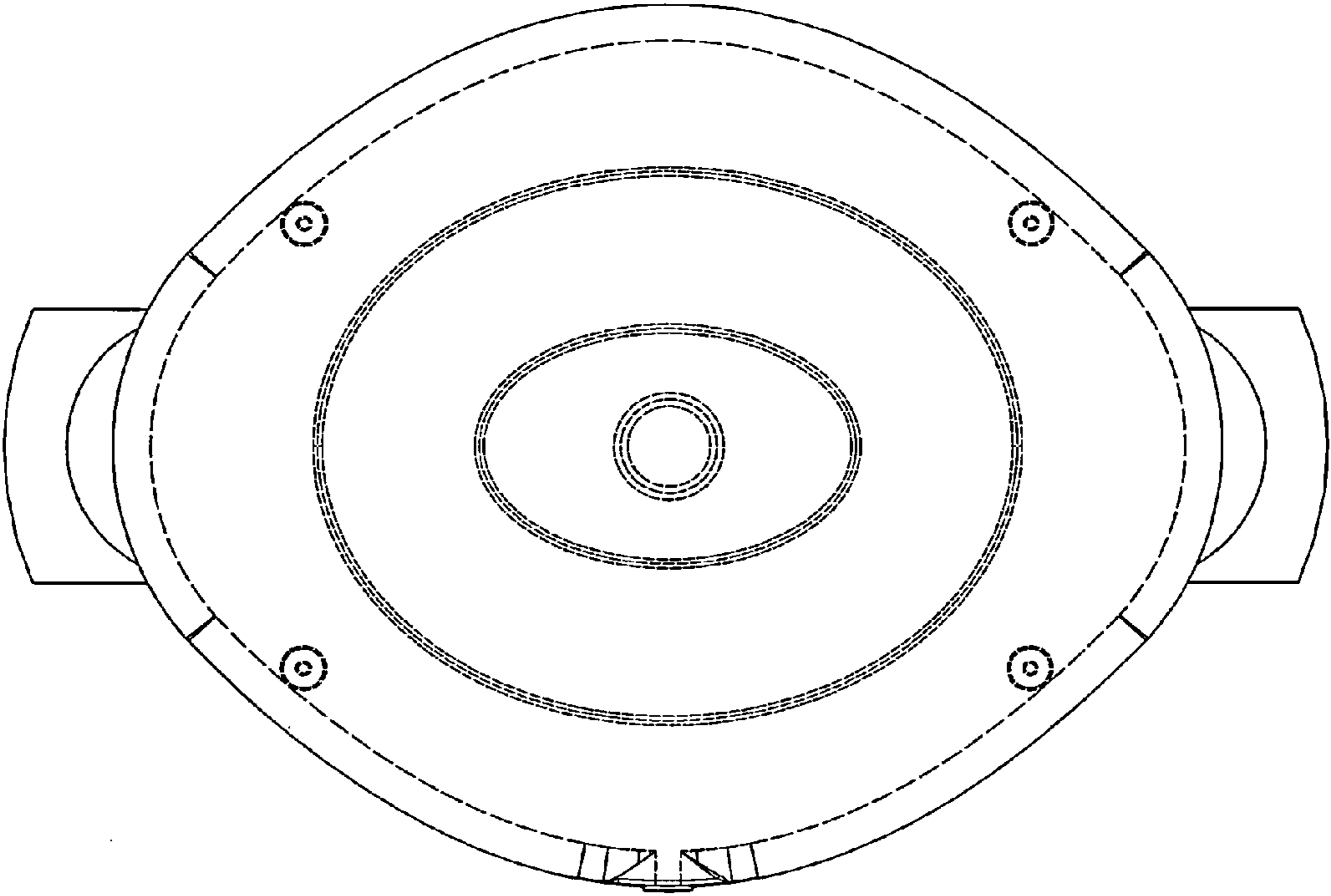


FIG. 6