



US00D689182S

(12) **United States Design Patent**  
**Kuehn et al.**

(10) **Patent No.:** **US D689,182 S**  
(45) **Date of Patent:** **\*\* Sep. 3, 2013**

(54) **FAN**  
(75) Inventors: **Keith J. Kuehn**, Magnolia, TX (US);  
**Brooks J. Vaughan**, Tomball, TX (US)

(73) Assignee: **Hewlett-Packard Development Company, L.P.**, Houston, TX (US)

(\*\*) Term: **14 Years**

(21) Appl. No.: **29/430,233**

(22) Filed: **Aug. 22, 2012**

(51) **LOC (9) Cl.** ..... **23-04**

(52) **U.S. Cl.**  
USPC ..... **D23/370**; D23/411

(58) **Field of Classification Search**  
USPC ..... D23/317, 330, 332-342, 351-360,  
D23/363, 364, 370-379, 381-383, 385-388,  
D23/393, 394, 399, 411-414; 454/237-253,  
454/186, 228-236, 192; 52/302.1; 417/423.1,  
417/423.14; 415/182.1, 200, 90; 416/244 R,  
416/246, 247 R; D6/309; D21/430, 436,  
D21/442, 447, 450, 453, 458; 5/421, 423  
See application file for complete search history.

(56) **References Cited**

**U.S. PATENT DOCUMENTS**

D507,637 S \* 7/2005 Chiu et al. .... D23/370  
D507,638 S \* 7/2005 Chiu et al. .... D23/370  
D507,639 S \* 7/2005 Chiu et al. .... D23/370  
D602,142 S \* 10/2009 Nishizawa et al. .... D23/370

D619,697 S \* 7/2010 Uchikawa ..... D23/370  
D637,276 S \* 5/2011 Miyabara et al. .... D23/370  
D637,706 S \* 5/2011 Kawai et al. .... D23/370  
D665,900 S \* 8/2012 Yen et al. .... D23/411  
D672,867 S \* 12/2012 Yen et al. .... D23/411  
D676,541 S \* 2/2013 Fu et al. .... D23/370  
2005/0105271 A1 \* 5/2005 Lu et al. .... 361/695

**OTHER PUBLICATIONS**

www.ebay.com (Aug. 22, 2012).  
www.serverssupply.com (Aug. 22, 2012).  
www.techforless.com (Aug. 22, 2012).

\* cited by examiner

*Primary Examiner* — Susan Bennett Hattan  
*Assistant Examiner* — Janice Hallmark

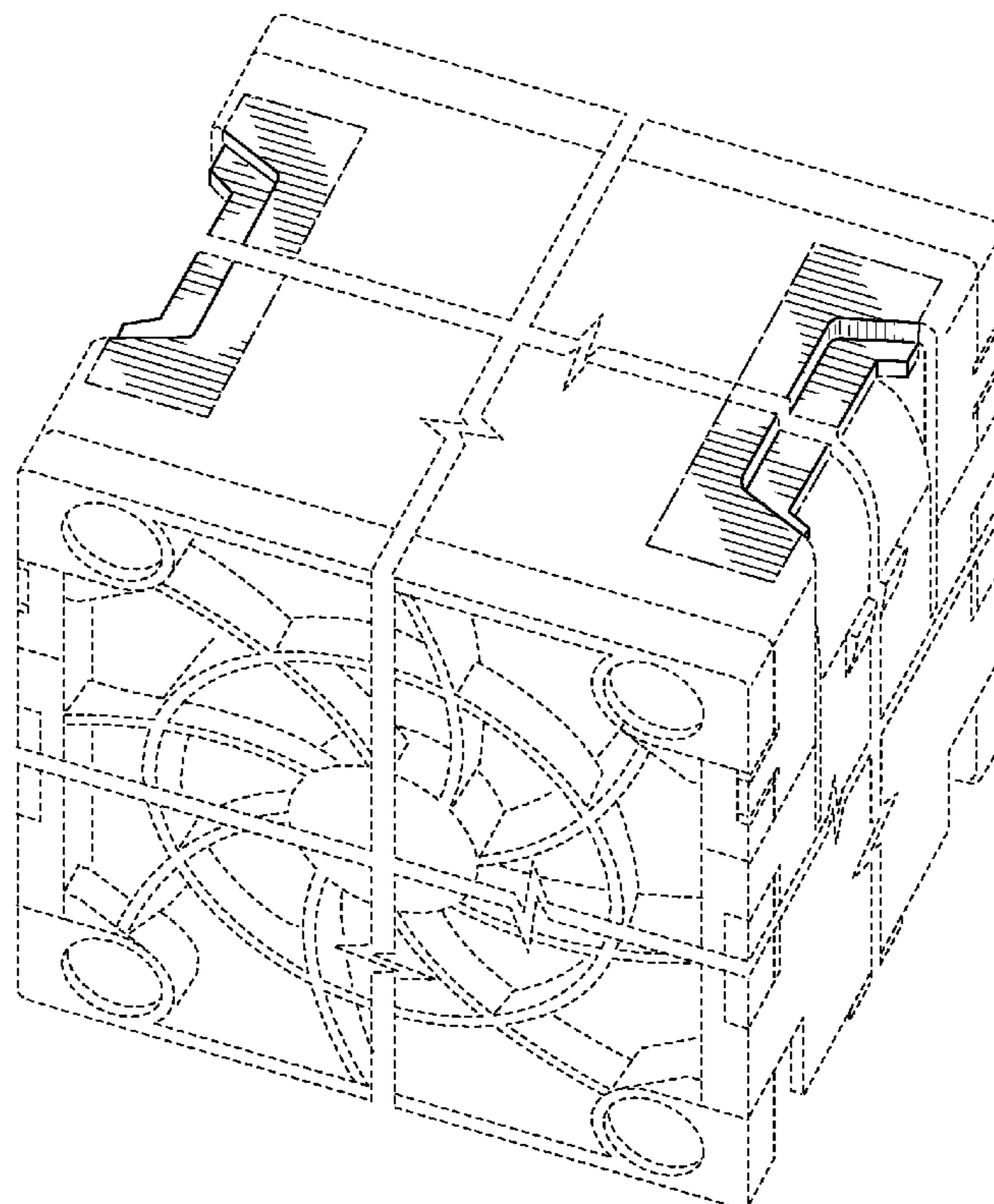
(57) **CLAIM**

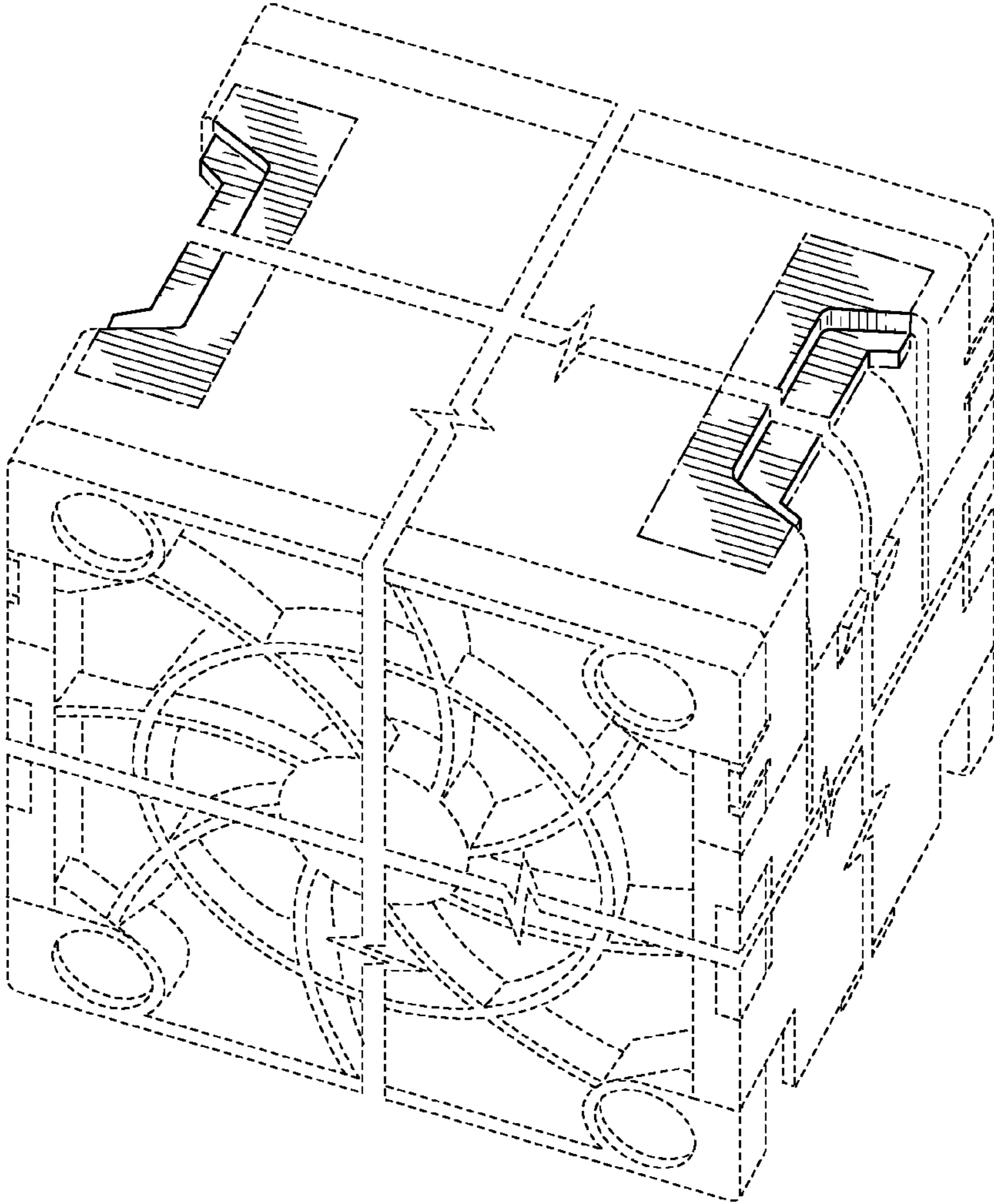
We claim the ornamental design for a fan, as shown and described.

**DESCRIPTION**

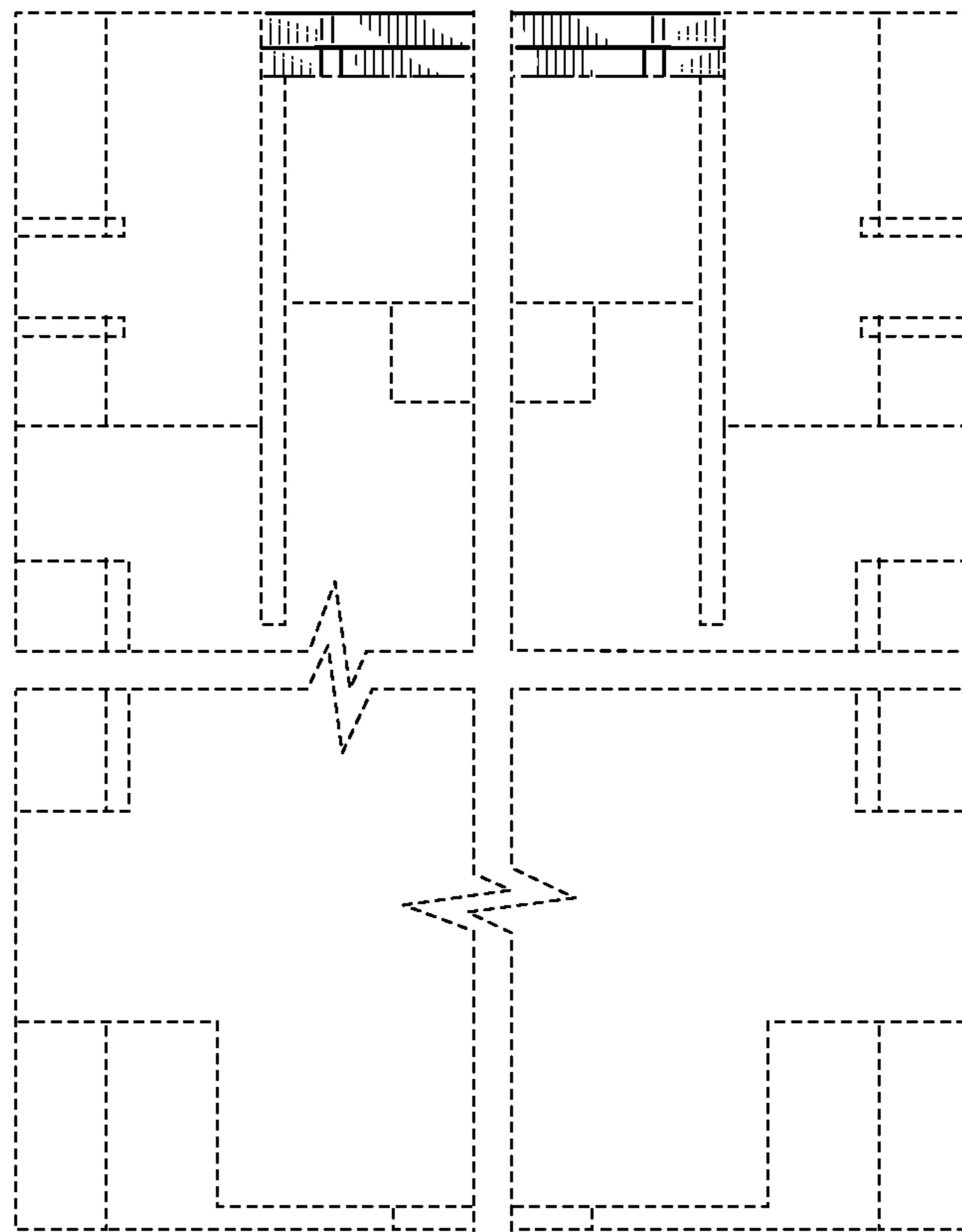
FIG. 1 is a top perspective view of a fan;  
FIG. 2 is a right side view thereof, the left side view thereof being identical to the left side view shown;  
FIG. 3 is a front view thereof; and,  
FIG. 4 is a top view thereof.  
The dash-dash broken lines in the drawings are environmental lines which do not form part of the claimed design. The short dash-long dash lines are boundary lines which do not form part of the claimed design.

**1 Claim, 4 Drawing Sheets**

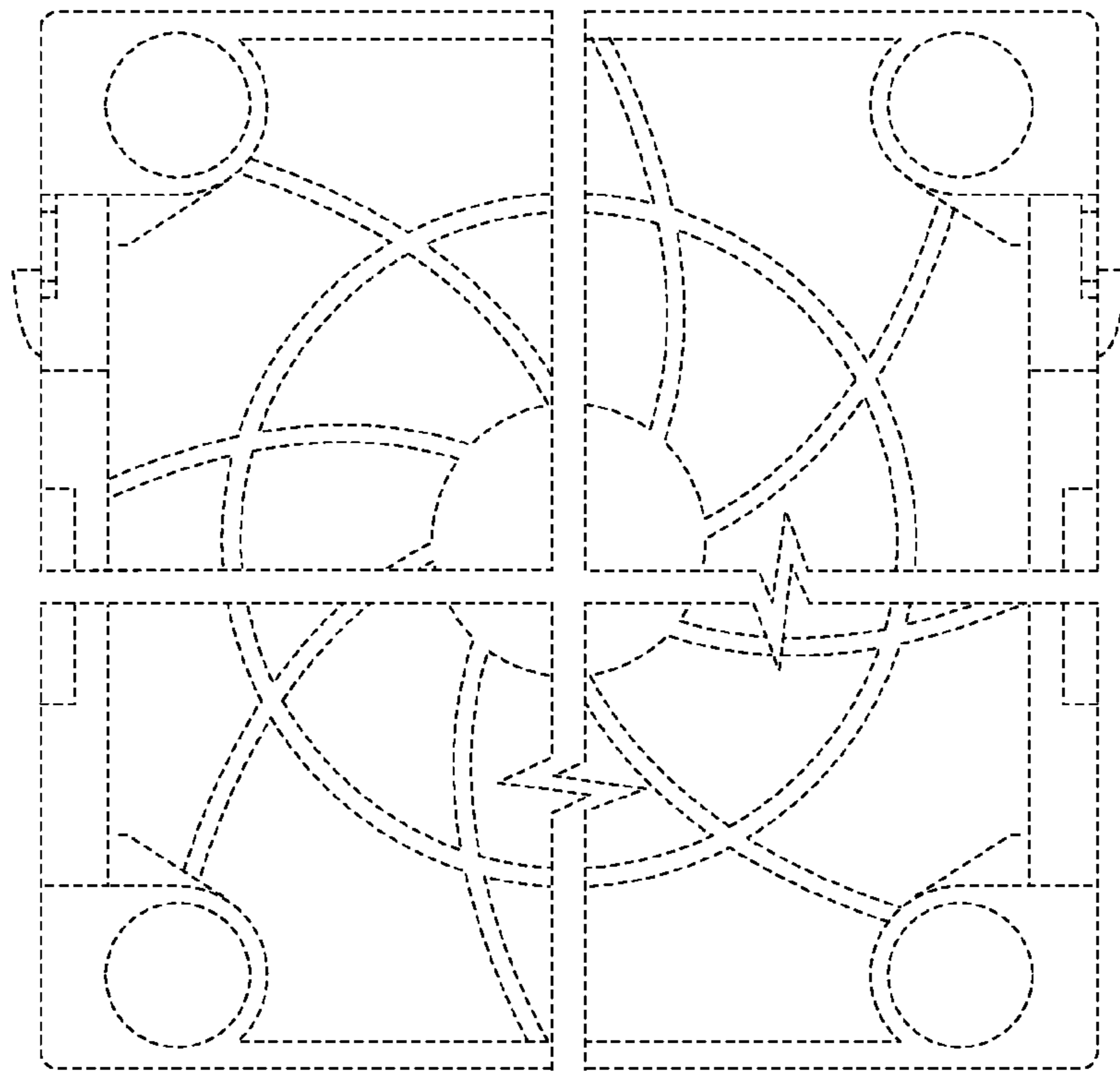




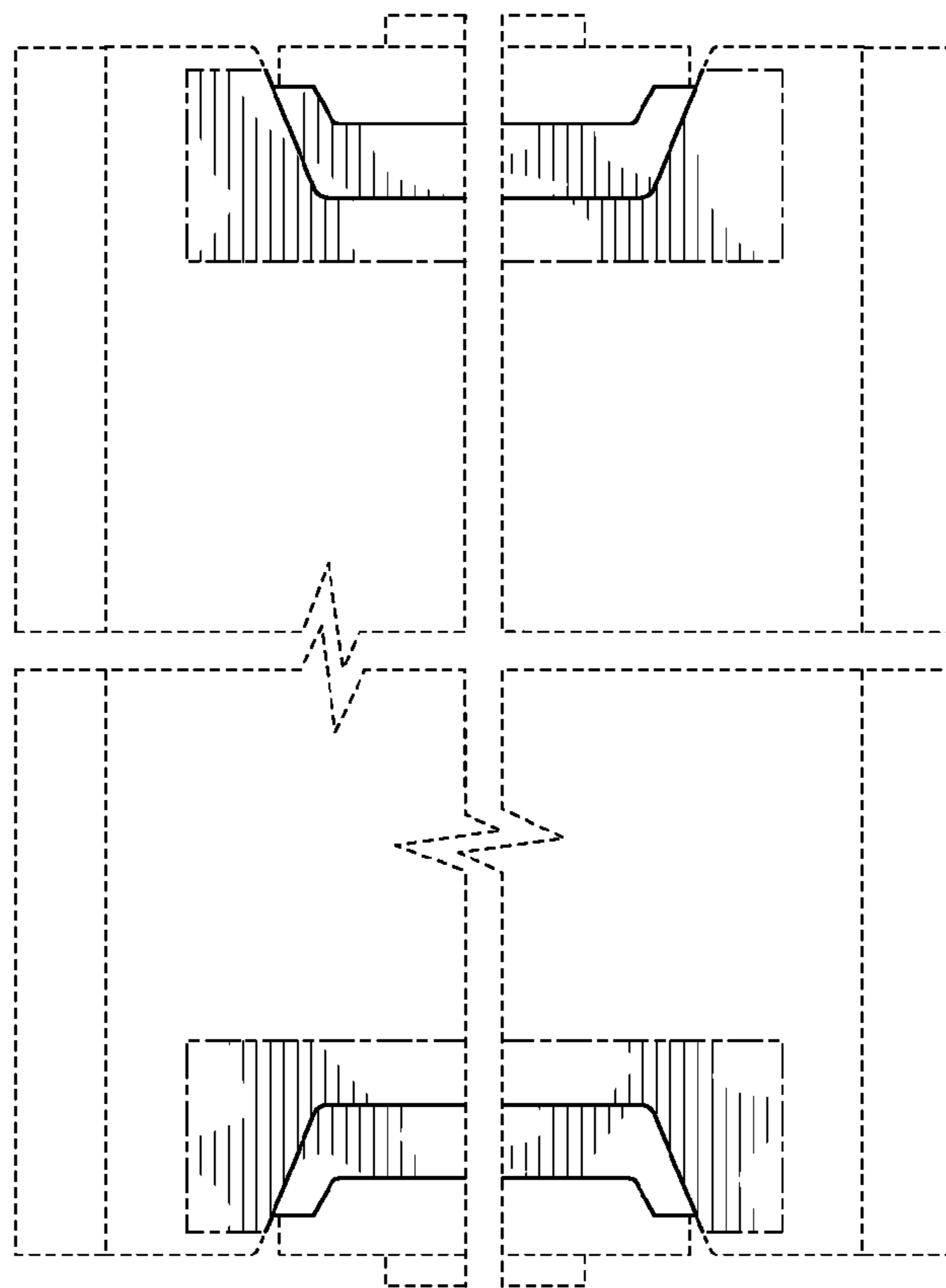
**FIG. 1**



**FIG. 2**



**FIG. 3**



**FIG. 4**