



US00D689179S

(12) **United States Design Patent**  
**Nishiguchi**

(10) **Patent No.:** **US D689,179 S**

(45) **Date of Patent:** **\*\* Sep. 3, 2013**

(54) **AIR CONDITIONER**

(71) Applicant: **Takayuki Nishiguchi**, Tokyo (JP)

(72) Inventor: **Takayuki Nishiguchi**, Tokyo (JP)

(73) Assignee: **Mitsubishi Electric Corporation**,  
Tokyo (JP)

(\*\*) Term: **14 Years**

(21) Appl. No.: **29/440,773**

(22) Filed: **Dec. 27, 2012**

(30) **Foreign Application Priority Data**

Jun. 29, 2012 (JP) ..... 2012-015411

Jun. 29, 2012 (JP) ..... 2012-015412

(51) **LOC (9) Cl.** ..... **23-04**

(52) **U.S. Cl.**  
USPC ..... **D23/351**

(58) **Field of Classification Search**  
USPC ..... D23/351-354, 385, 355, 357, 361;  
312/236; 62/259.1, 259.4, 262-263, 304;  
454/330-331, 349-350

See application file for complete search history.

(56) **References Cited**

**U.S. PATENT DOCUMENTS**

- D450,823 S \* 11/2001 Kobayashi ..... D23/351
- D529,595 S \* 10/2006 Ueno et al. .... D23/351
- D553,724 S \* 10/2007 Nakamura ..... D23/351
- D565,158 S \* 3/2008 Nagahori ..... D23/351
- D613,843 S \* 4/2010 Ohta ..... D23/351
- D624,168 S \* 9/2010 Aketa et al. .... D23/351
- D628,686 S \* 12/2010 Motonishi et al. .... D23/351
- D642,251 S \* 7/2011 Seki ..... D23/351
- D667,095 S \* 9/2012 Yamana et al. .... D23/351
- D669,567 S \* 10/2012 Yamana et al. .... D23/351
- D670,799 S \* 11/2012 Yamana et al. .... D23/351
- D676,119 S \* 2/2013 Baek et al. .... D23/351

**FOREIGN PATENT DOCUMENTS**

AU 327206 S 8/2009

**OTHER PUBLICATIONS**

Office Action dated May 30, 2013 issued by the Russian Patent Office in counterpart Russian Application No. 2012504589.

\* cited by examiner

*Primary Examiner* — Brian N Vinson

(74) *Attorney, Agent, or Firm* — Sughrue Mion, PLLC

(57) **CLAIM**

The ornamental design for an air conditioner, as shown and described.

**DESCRIPTION**

FIG. 1 is a perspective view of front, right and bottom side of an air conditioner showing a first embodiment of my new design;

FIG. 2 is a front view thereof;

FIG. 3 is a rear view thereof;

FIG. 4 is a right side view thereof, a left side view is a mirror image thereof;

FIG. 5 is a top view thereof;

FIG. 6 is a bottom view thereof;

FIG. 7 is an enlarged cross sectional end view of cutting part at 7-7 in FIG. 2 omitting the interior mechanism; and

FIG. 8 is a perspective view of front, right and bottom side of an air conditioner showing a second embodiment of my new design;

FIG. 9 is a front view thereof;

FIG. 10 is a rear view thereof;

FIG. 11 is a right side view thereof, a left side view is a mirror image thereof;

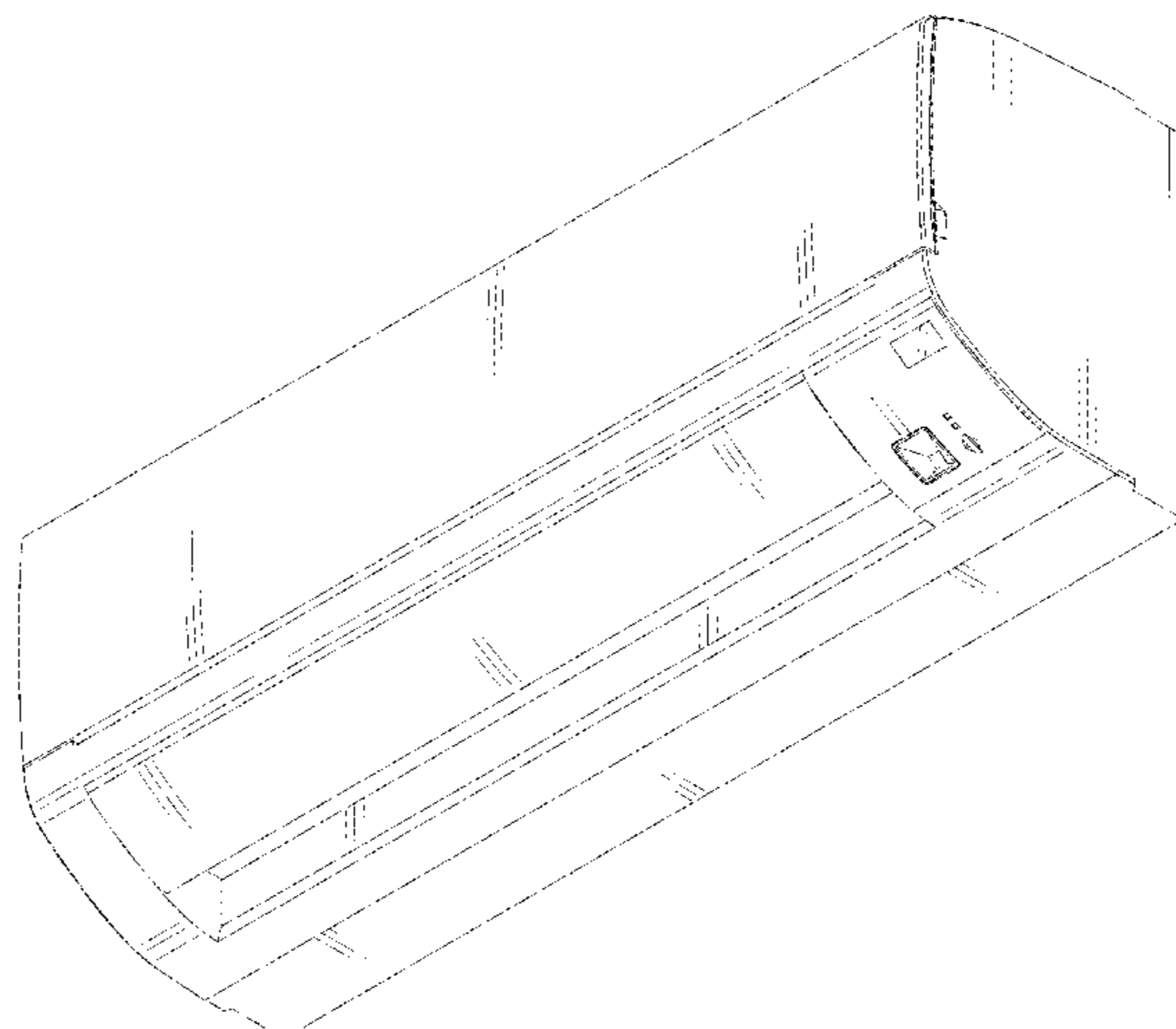
FIG. 12 is a top view thereof;

FIG. 13 is a bottom view thereof; and,

FIG. 14 is an enlarged cross sectional end view of cutting part at 14-14 in FIG. 9 omitting the interior mechanism.

The portions of the article in broken lines are shown for illustrative purposes only and form no part of the claimed design.

**1 Claim, 14 Drawing Sheets**



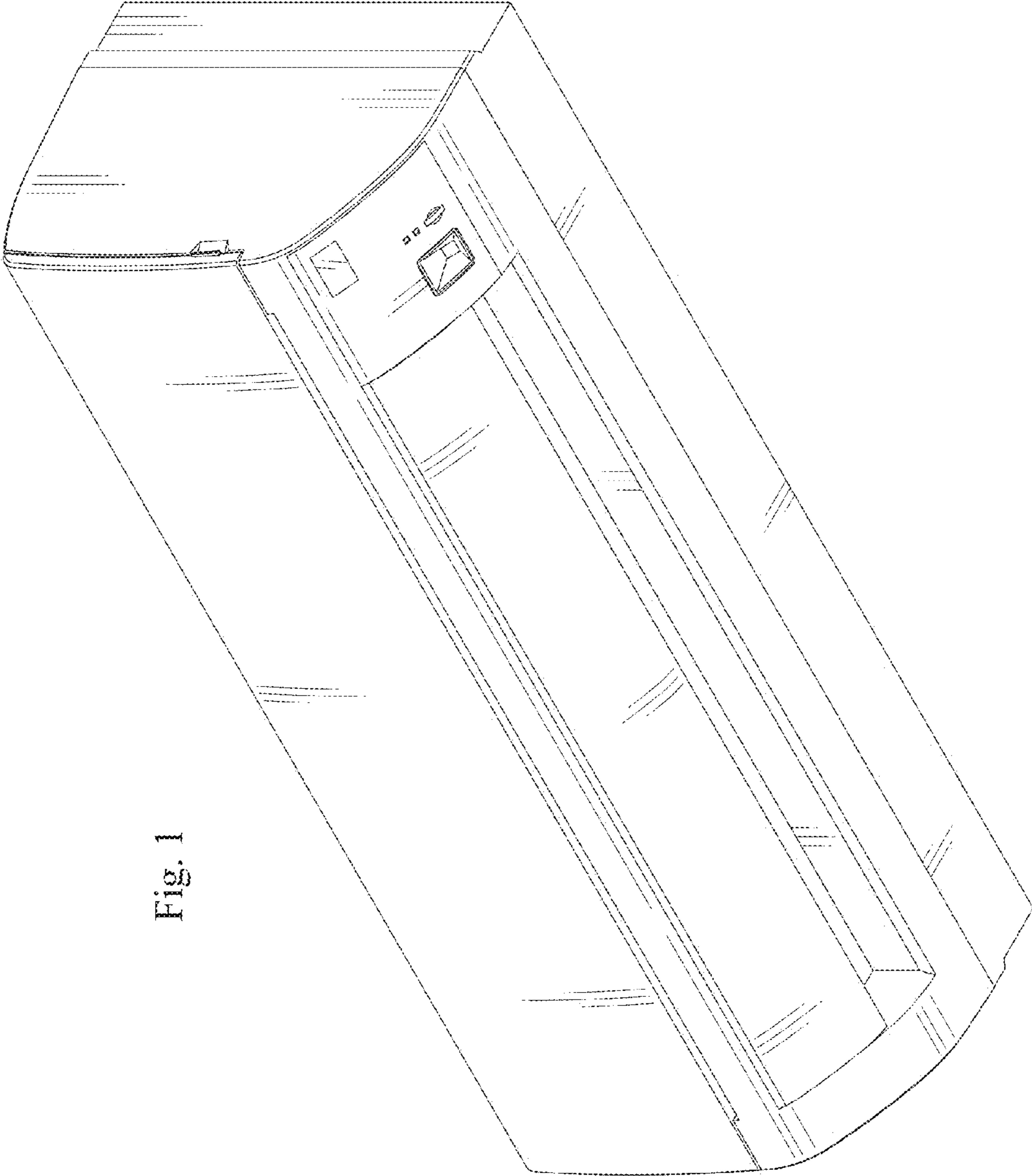


Fig. 1

Fig. 2

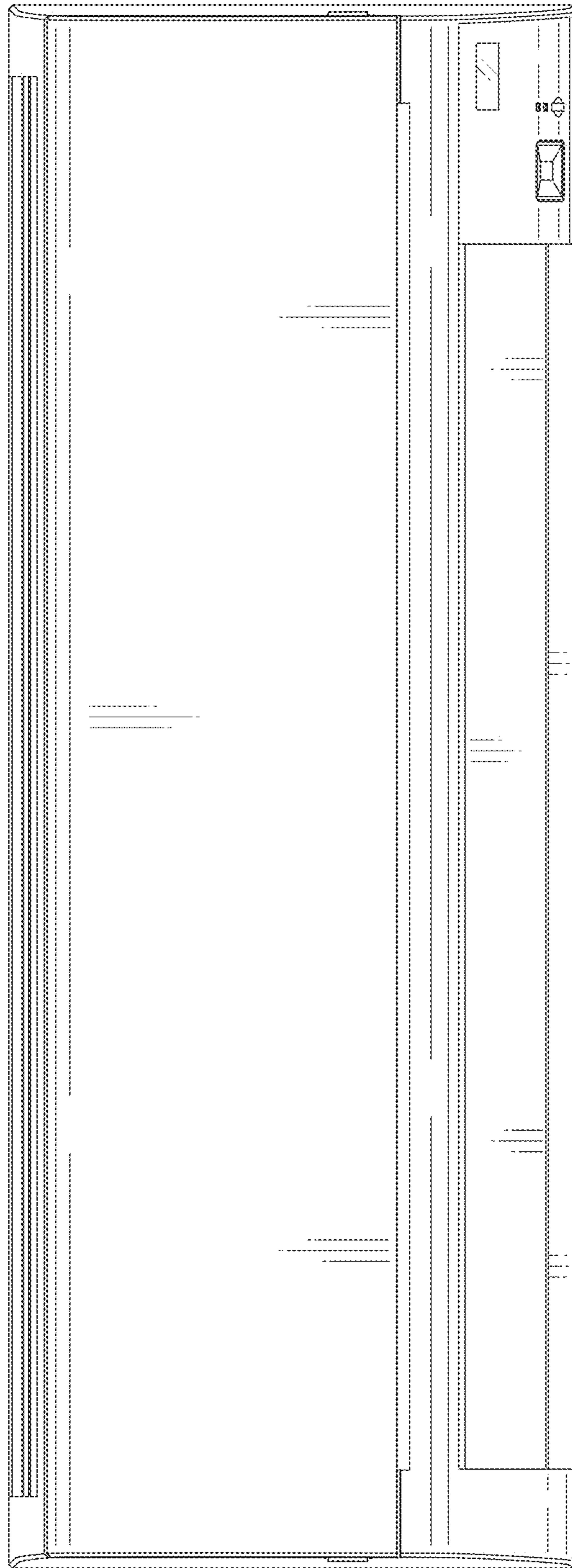


Fig. 3

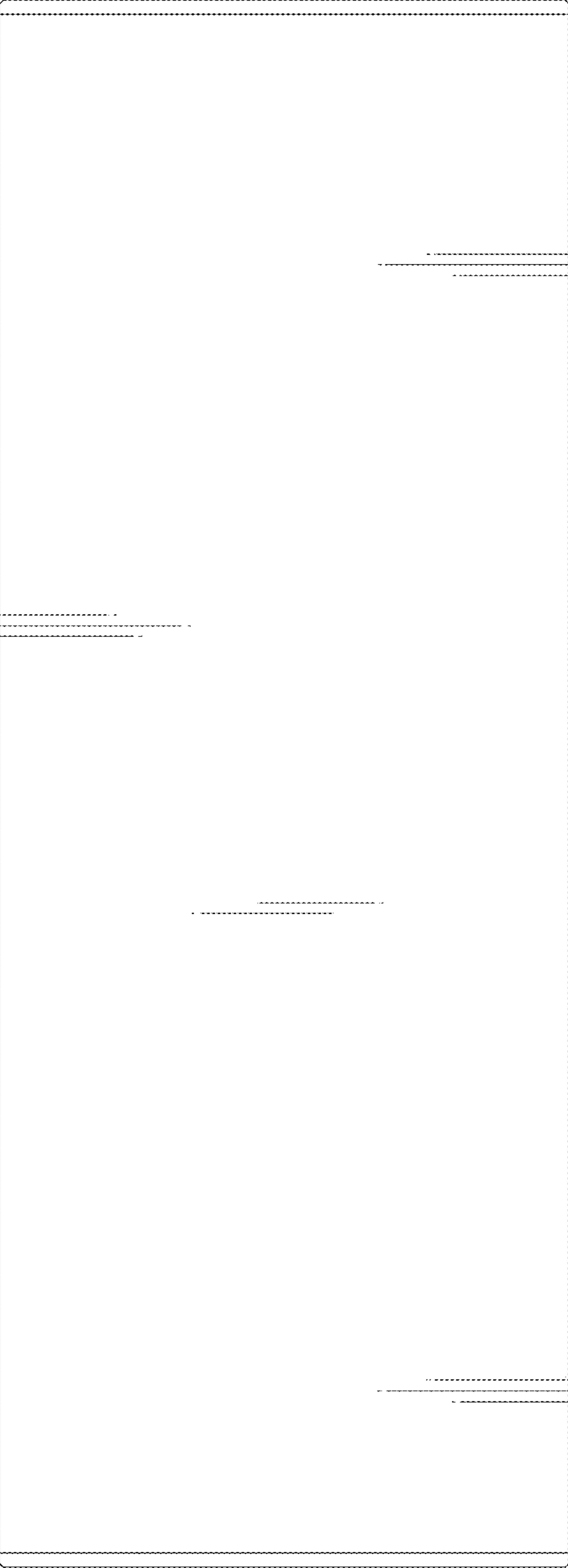


Fig. 4

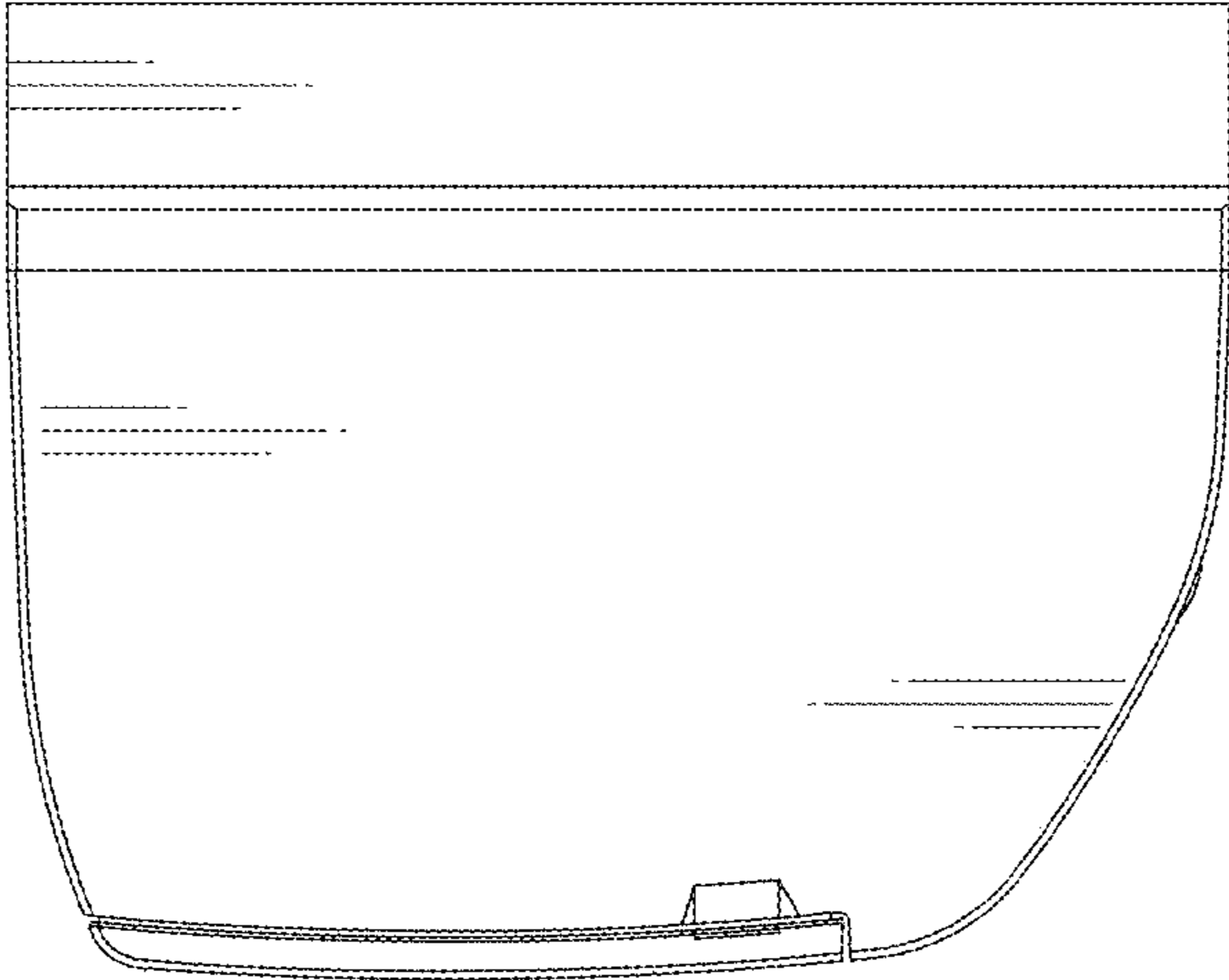


Fig. 5

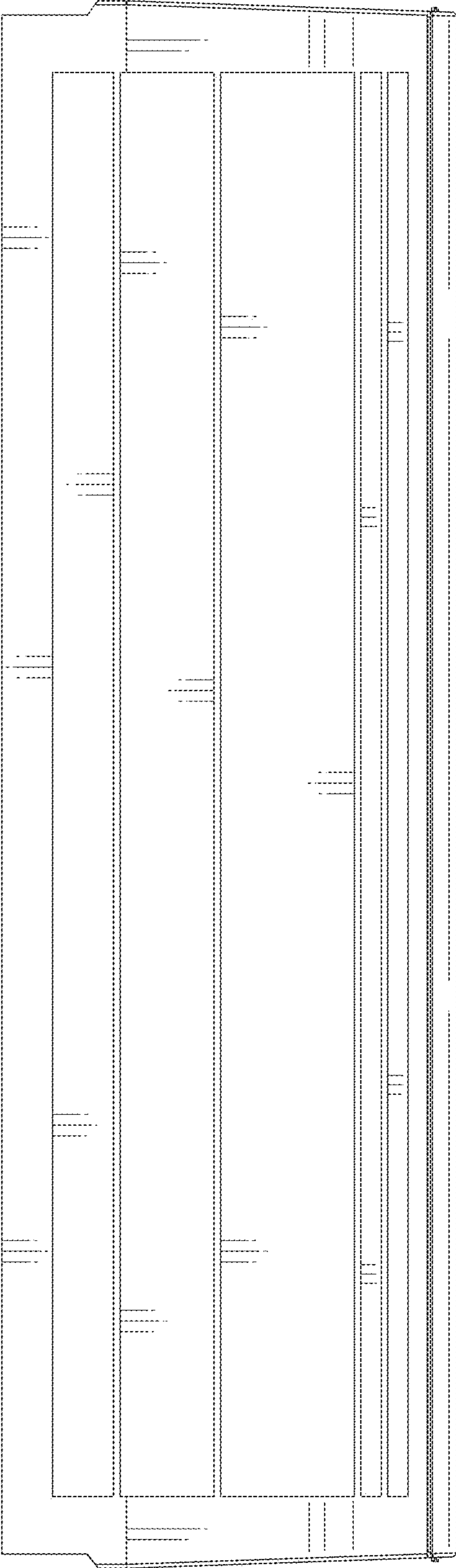


Fig. 6

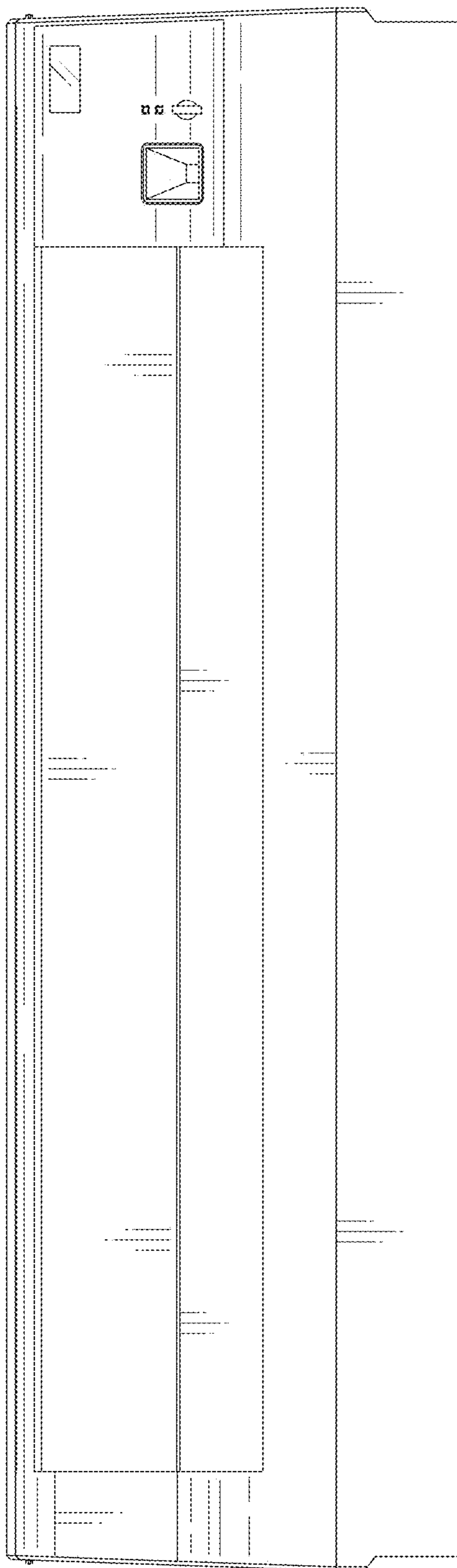
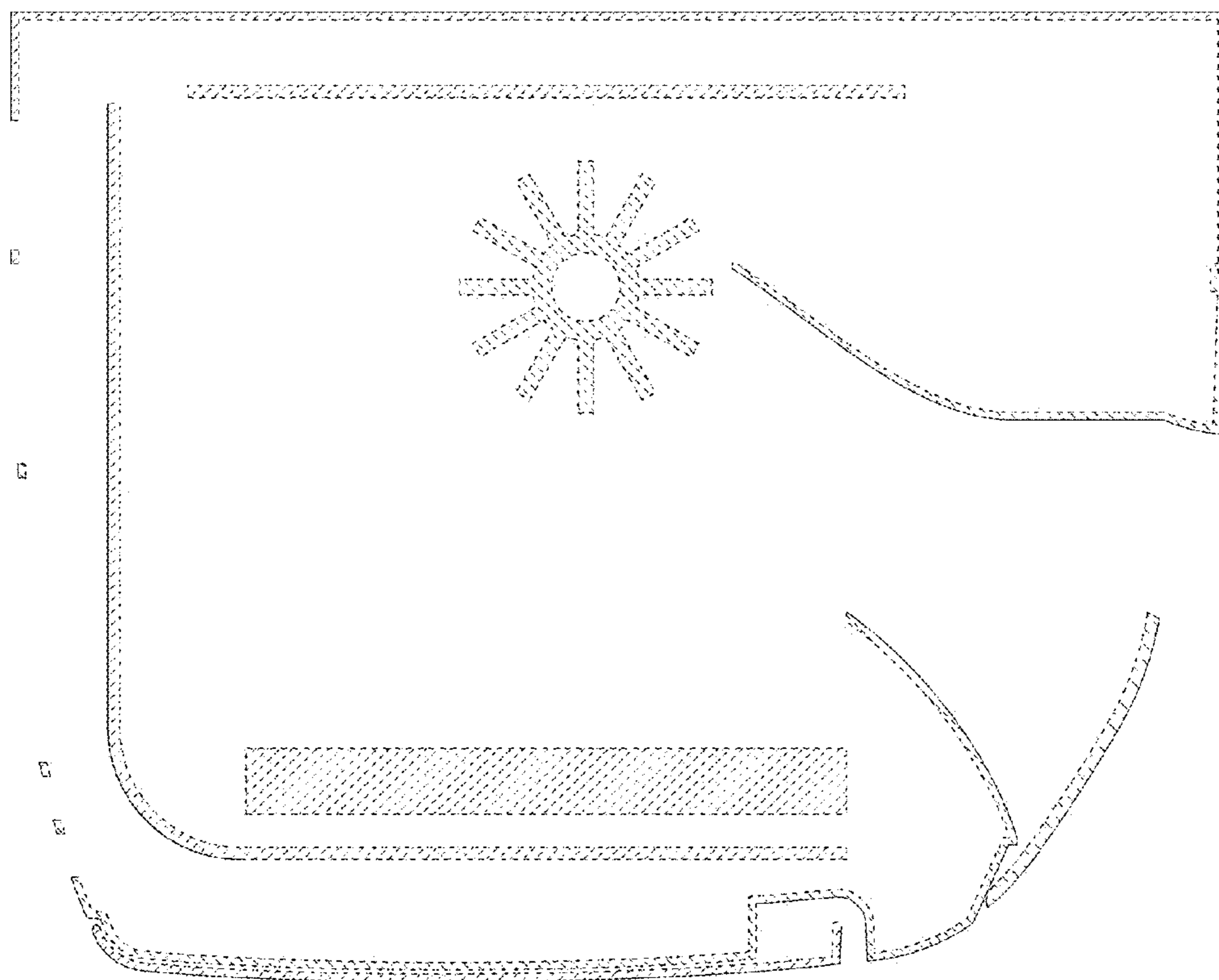


Fig. 7





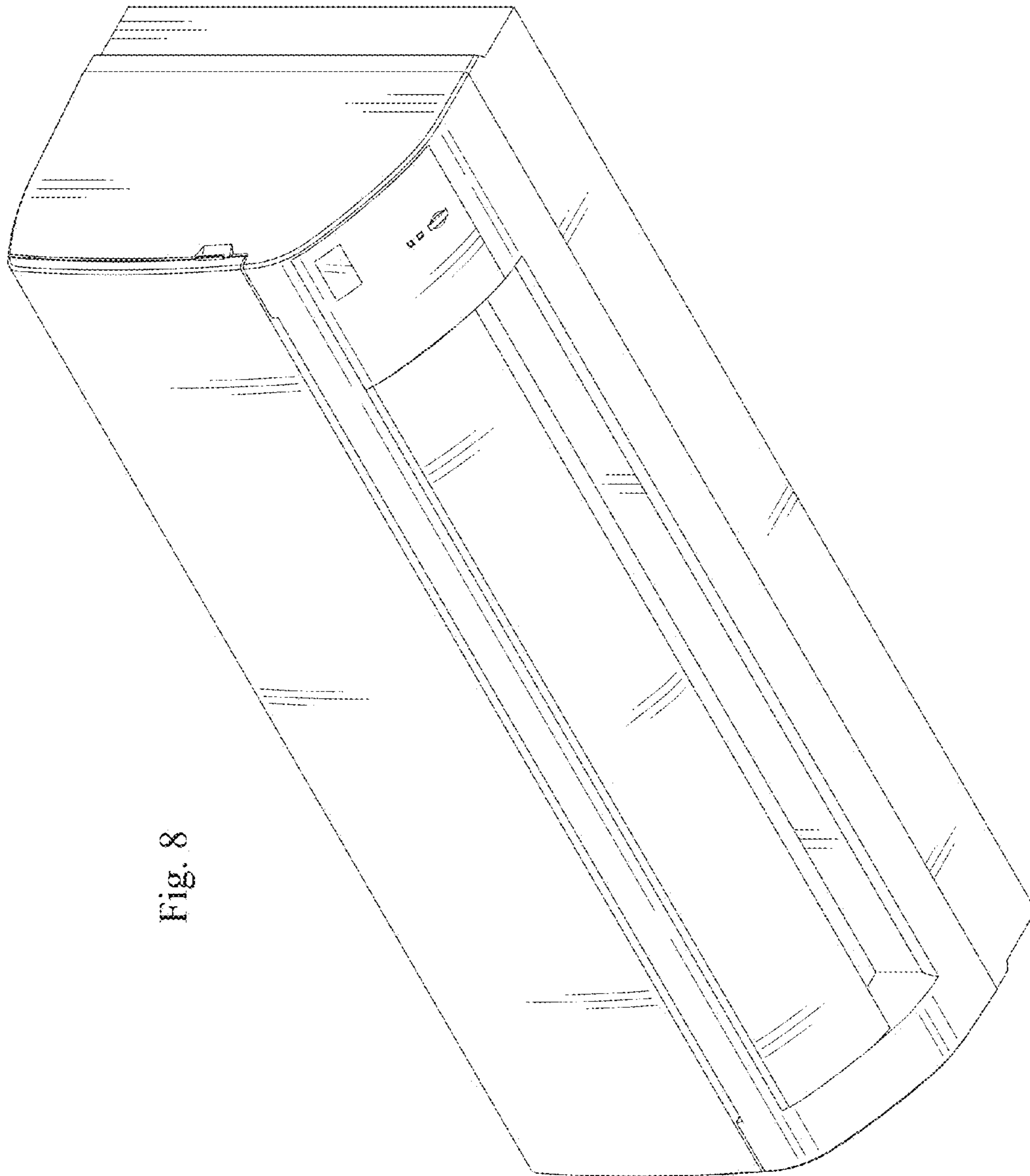
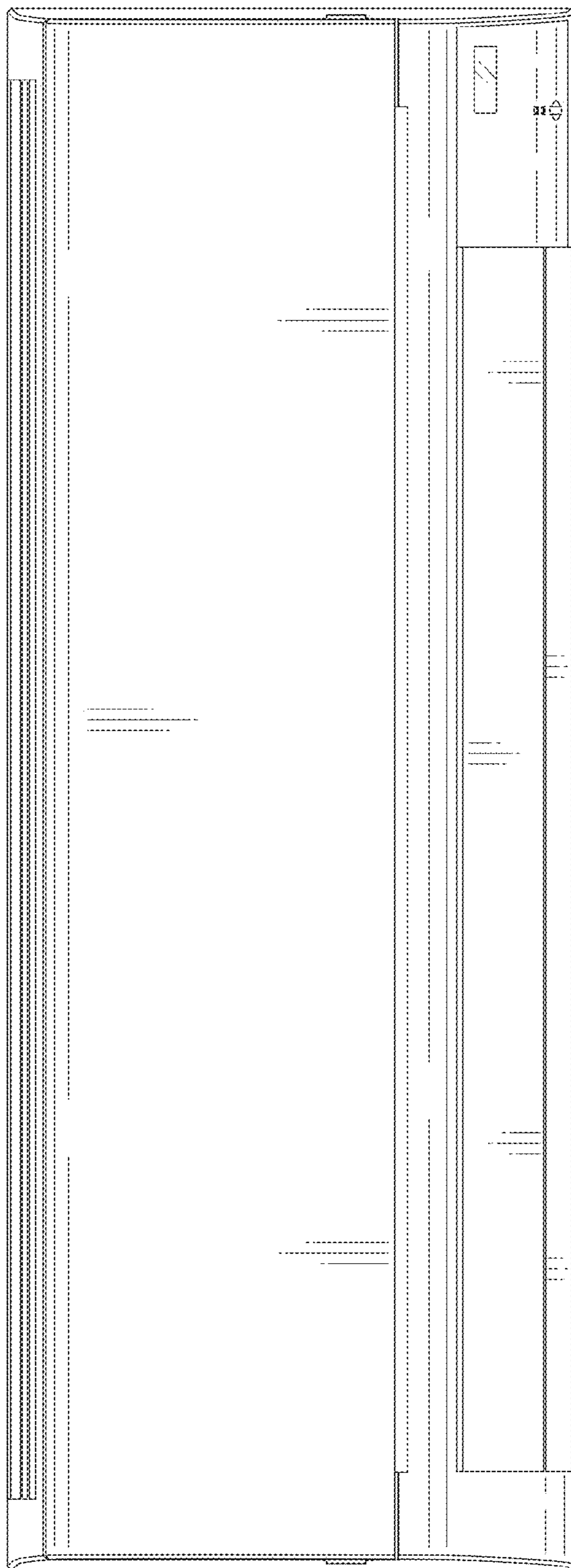


Fig. 8

Fig. 9

14 ←



14 ←

Fig. 10

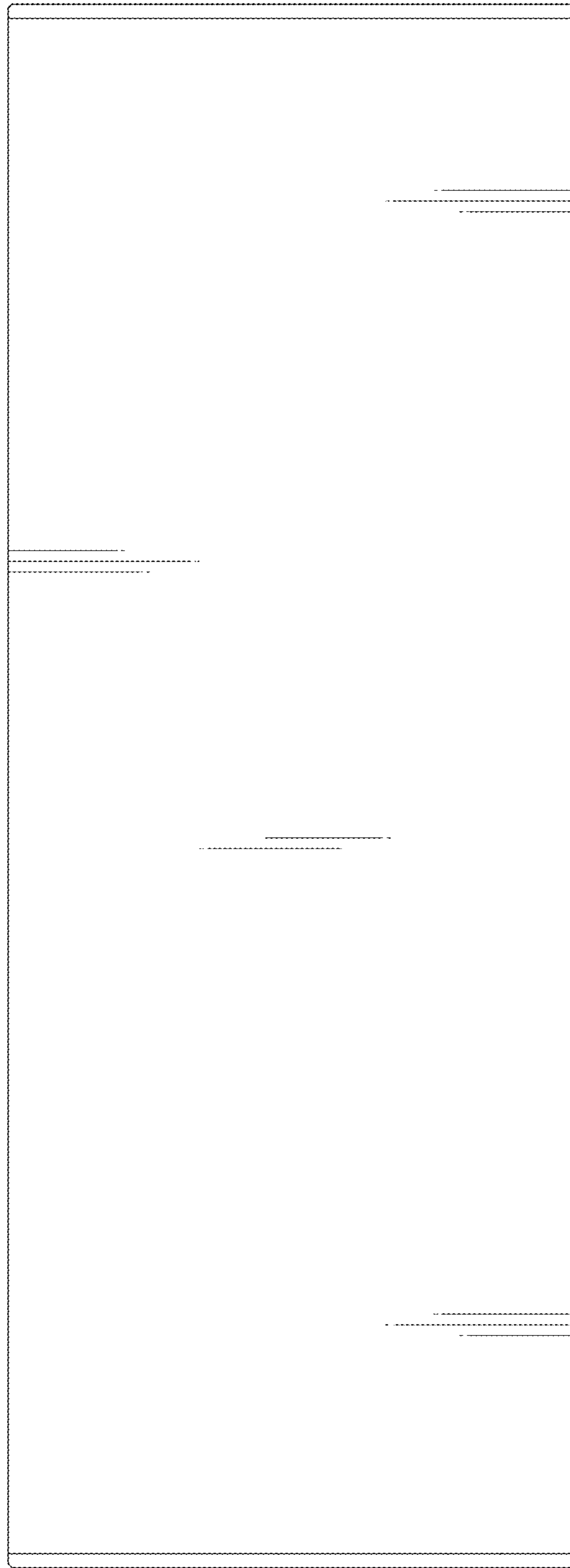


Fig. 11

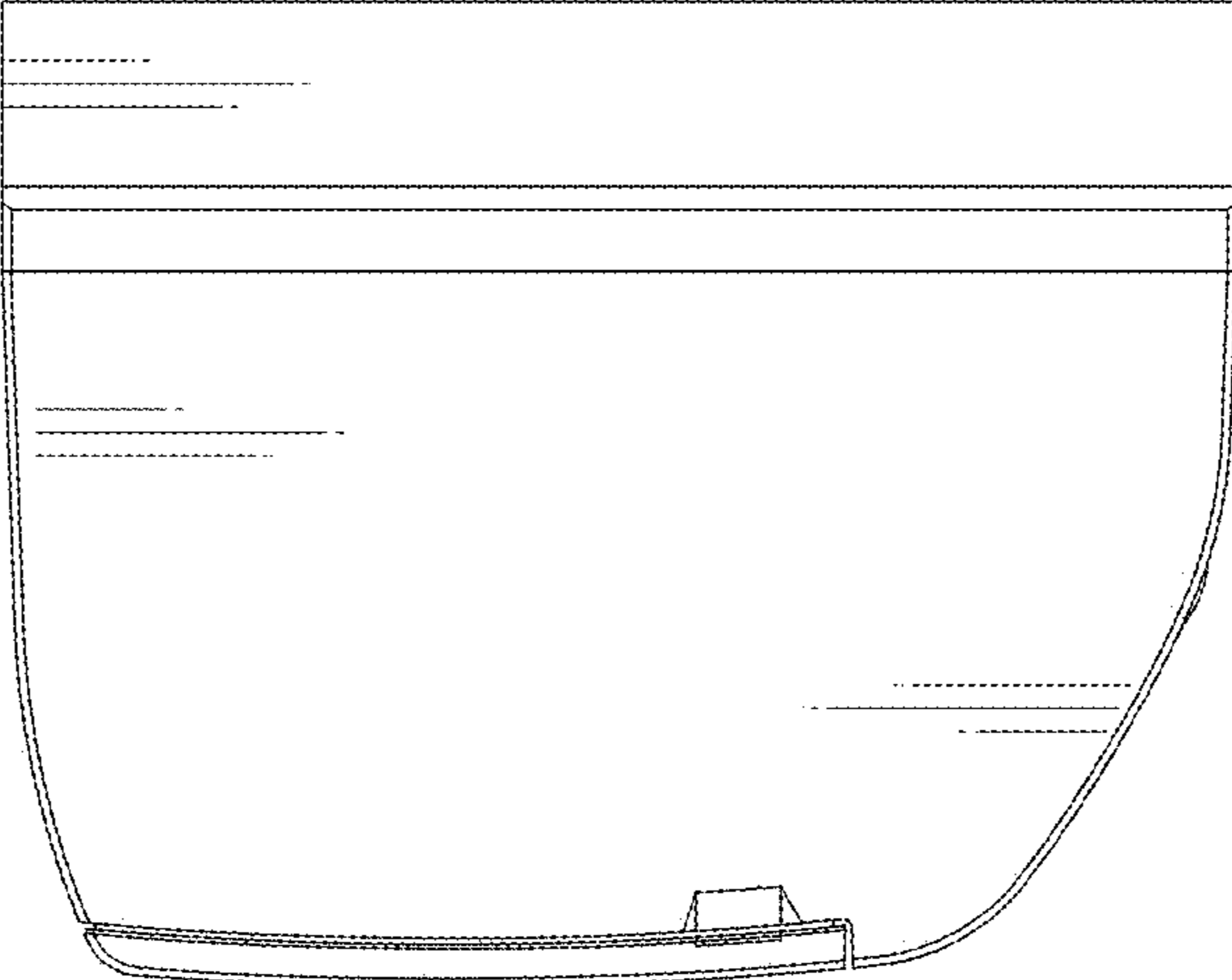


Fig. 12

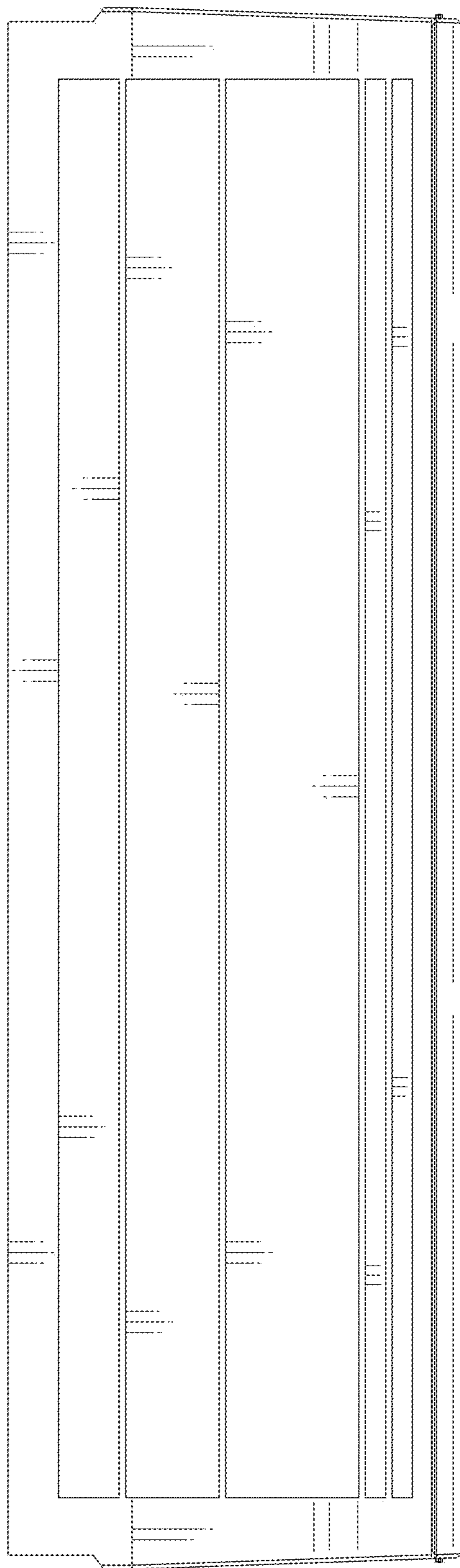


Fig. 13

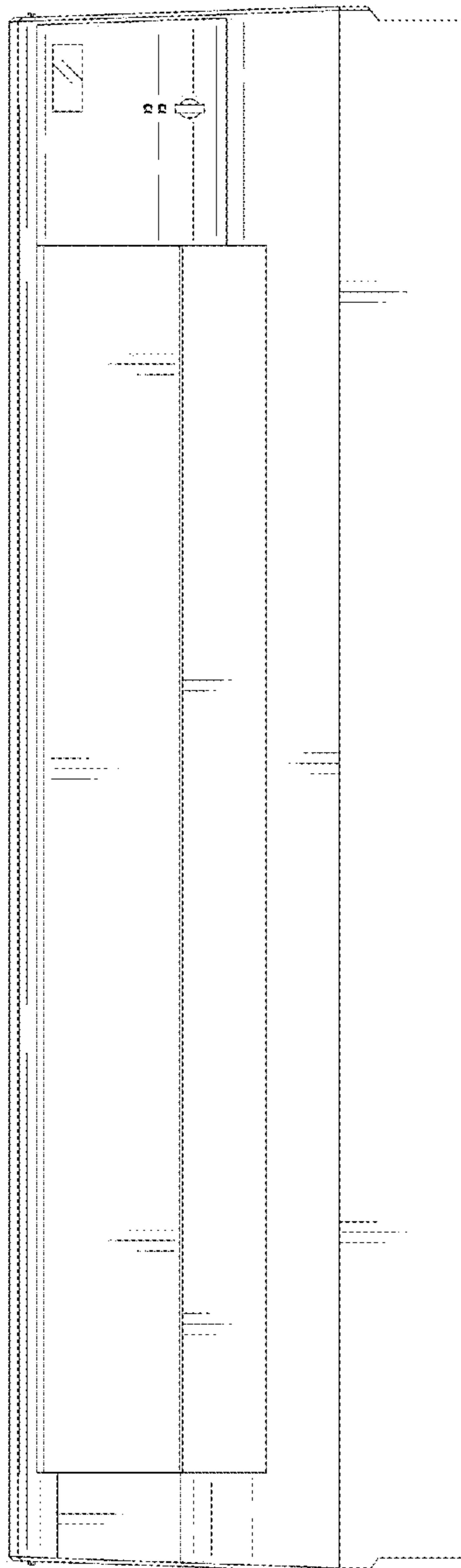


Fig. 14

