



US00D689175S

(12) **United States Design Patent**
Wulf et al.

(10) **Patent No.:** **US D689,175 S**
(45) **Date of Patent:** **** Sep. 3, 2013**

(54) **NECK AND HEAD OF A HOUSING FOR A
FREE-STANDING EVAPORATIVE COOLING
UNIT**

7,296,785 B2 11/2007 Hayden
D641,845 S * 7/2011 Breit et al. D23/333
2005/0247074 A1 11/2005 Ellicott
2008/0006263 A1 1/2008 Seichei et al.
2009/0000325 A1 1/2009 Johnson

(71) Applicant: **Port-A-Cool, LLC**, Center, TX (US)

(72) Inventors: **Benjamin Leon Wulf**, Center, TX (US);
Kerry Lyman Shumway, Nacogdoches,
TX (US); **Yun Seok Kim**, Chandler, AZ
(US)

(73) Assignee: **Port-A-Cool, LLC**, Center, TX (US)

(**) Term: **14 Years**

(21) Appl. No.: **29/434,956**

(22) Filed: **Oct. 18, 2012**

(51) **LOC (9) Cl.** **23-04**

(52) **U.S. Cl.**
USPC **D23/333**

(58) **Field of Classification Search**
USPC D23/314, 317, 332, 333, 351, 352,
D23/354, 336; 312/236; 62/259.1, 259.3,
62/259.4, 262-263, 304, 401, 515-516, 261,
62/419-420, 331, 314; 454/330-331, 349-350,
454/354; 431/123, 253

See application file for complete search history.

(56) **References Cited**

U.S. PATENT DOCUMENTS

| | | | | |
|-----------|-----|---------|--------------------|---------|
| 2,207,956 | A * | 7/1940 | Timms et al. | 62/261 |
| 2,210,458 | A | 8/1940 | Keilholtz | |
| D157,824 | S * | 3/1950 | Wright | D23/333 |
| 5,350,337 | A | 9/1994 | Kondo et al. | |
| 5,598,719 | A | 2/1997 | Jones et al. | |
| D382,951 | S * | 8/1997 | Deines et al. | D23/336 |
| D419,230 | S * | 1/2000 | Ciccone | D23/333 |
| 6,422,232 | B1 | 7/2002 | Ashton et al. | |
| D486,211 | S * | 2/2004 | Chan et al. | D23/332 |
| 7,086,396 | B2 | 8/2006 | Waters | |
| D532,501 | S * | 11/2006 | Giovino | D23/332 |

OTHER PUBLICATIONS

“PC ESAC Evaporative Coolers”, Munters 2007, 2 pages.
Fire Sense, <http://www.firesense.com>.
Fire Sense, <http://www.firesense.net>.
Patio Comfort Heaters, <http://www.patiocomfortheaters.com>.
Sunglo Patio Heater, <http://www.sunglopatioheater.com>.
Dayva, <http://www.dayva.com/heaters/>.

* cited by examiner

Primary Examiner — Brian N Vinson

(74) *Attorney, Agent, or Firm* — John Wilson Jones; Jones & Smith, LLP

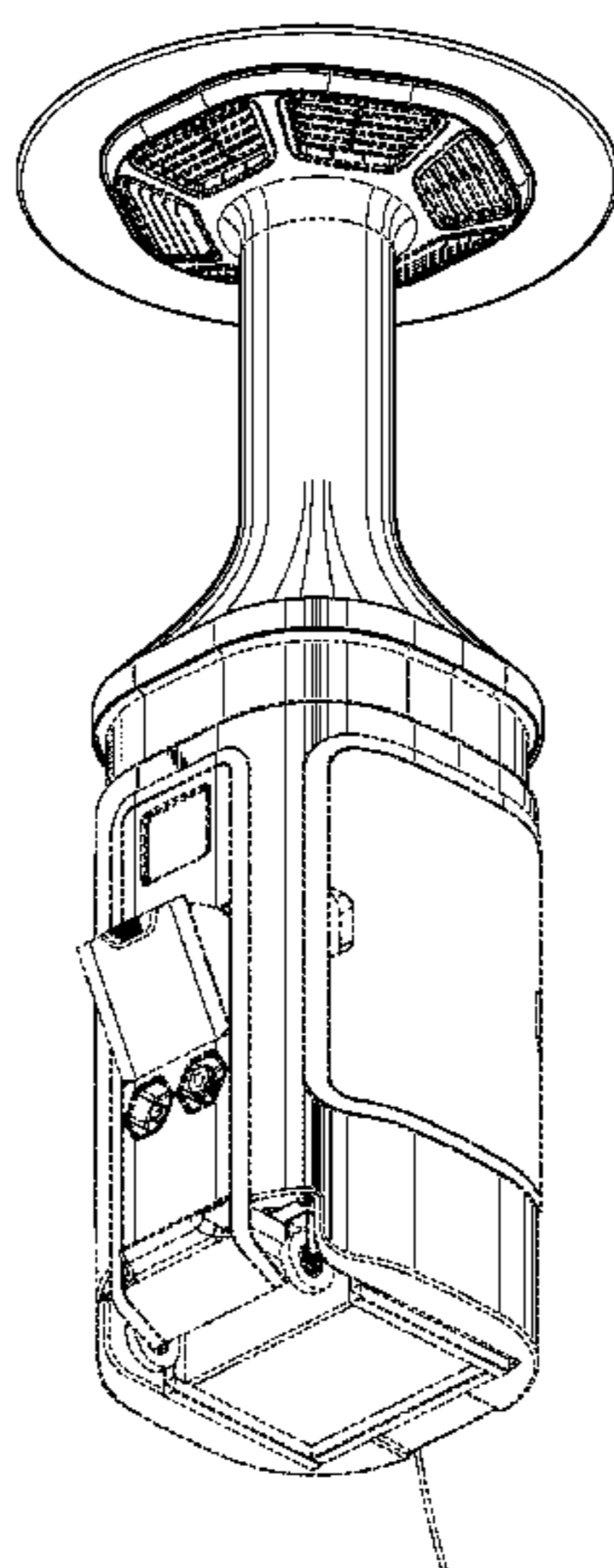
(57) **CLAIM**

The ornamental design for a neck and head of a housing for a free-standing evaporative cooling unit, as shown and described.

DESCRIPTION

FIG. 1 is a front elevational view of a neck and head of a housing for a free-standing evaporative cooling unit showing our new design;
FIG. 2 is a right side elevational view thereof;
FIG. 3 is a left side elevational view thereof;
FIG. 4 is a rear elevational view thereof;
FIG. 5 is a top, front and right side perspective view thereof; and,
FIG. 6 is a bottom, rear, and left side perspective view thereof.
The broken-line disclosure in the views is understood to represent portions of the housing which are not part of the claimed design. Where broken-lines abut claimed surfaces, which are shown with surface shading, those broken-lines are understood to represent unclaimed boundaries or edges.

1 Claim, 6 Drawing Sheets



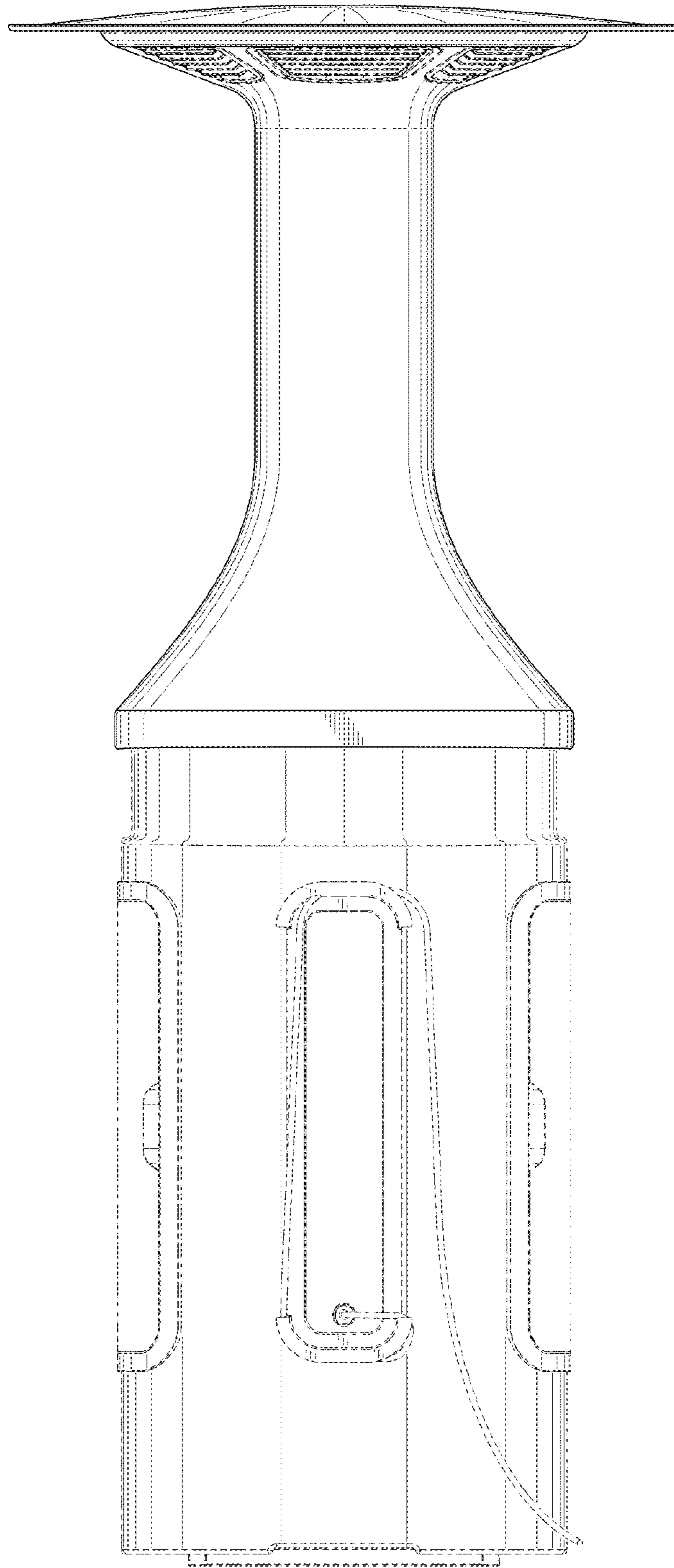


FIG. 1

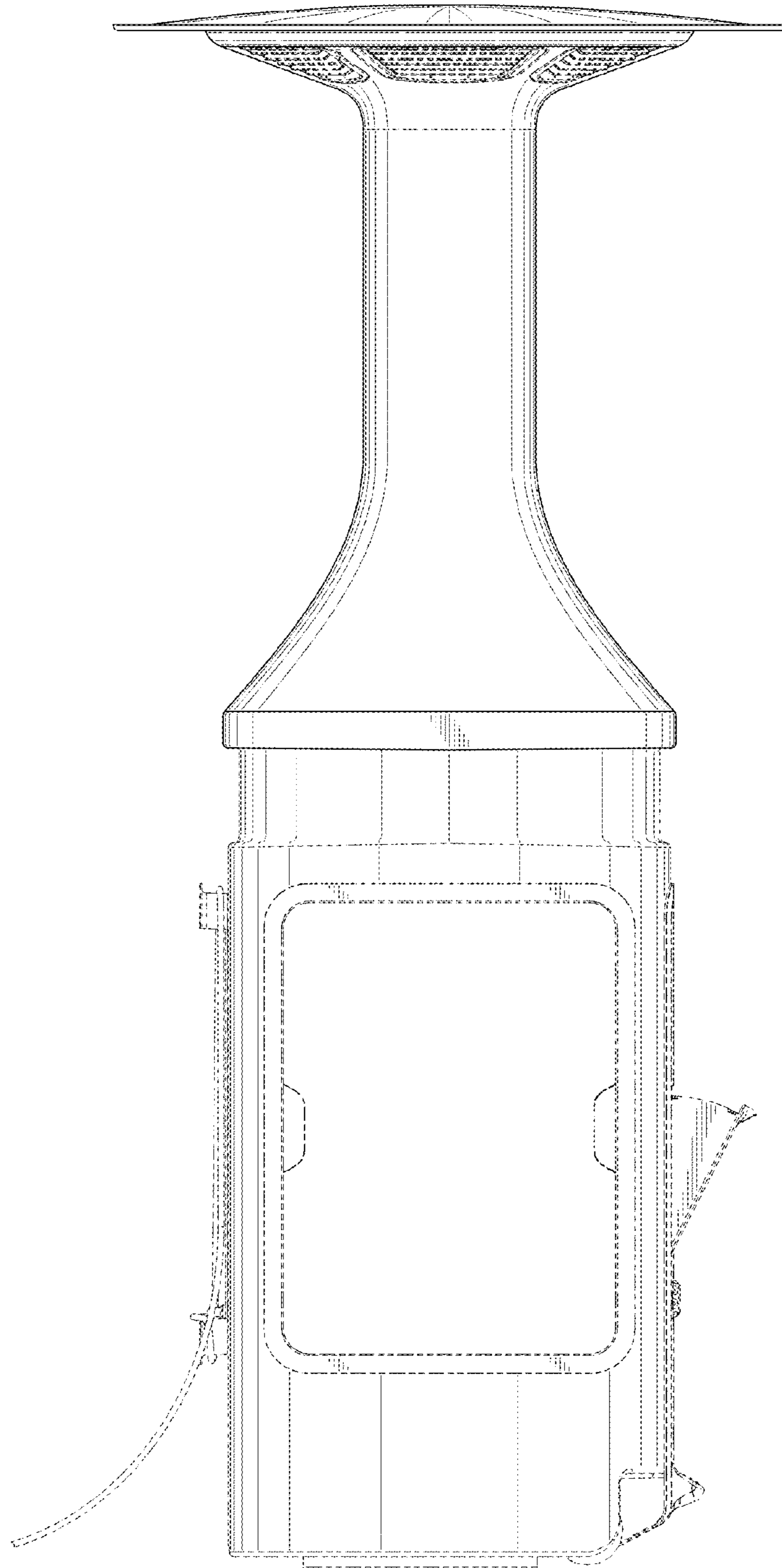


FIG. 2

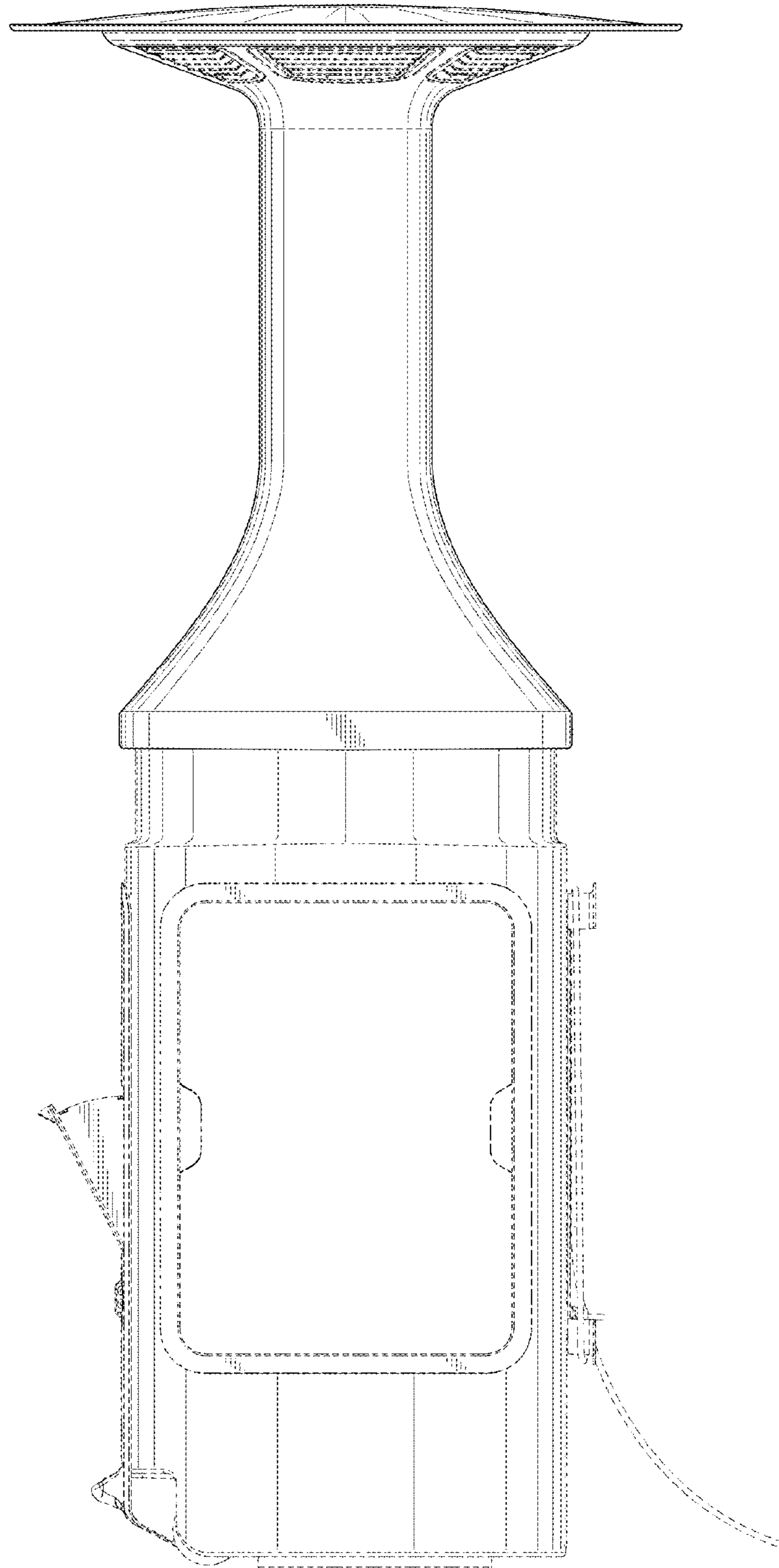


FIG. 3

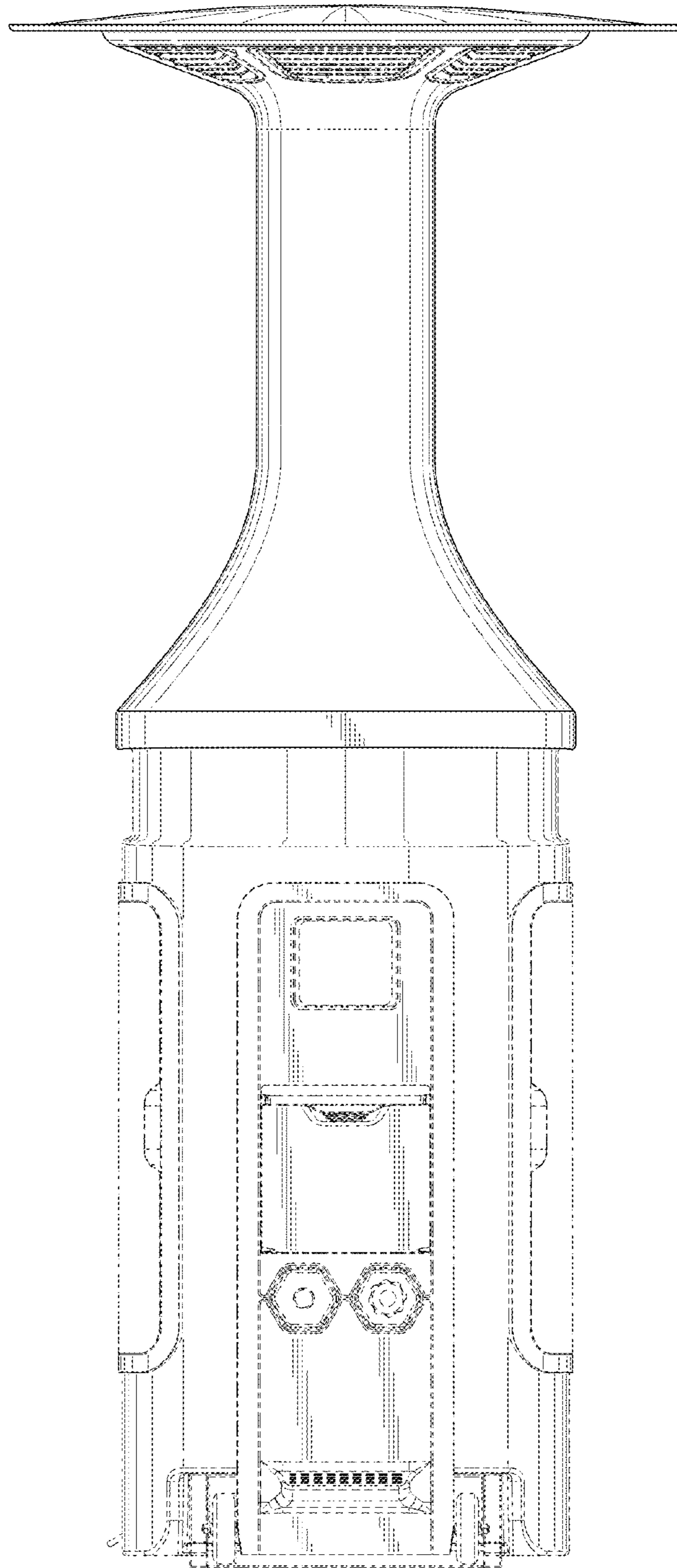


FIG. 4

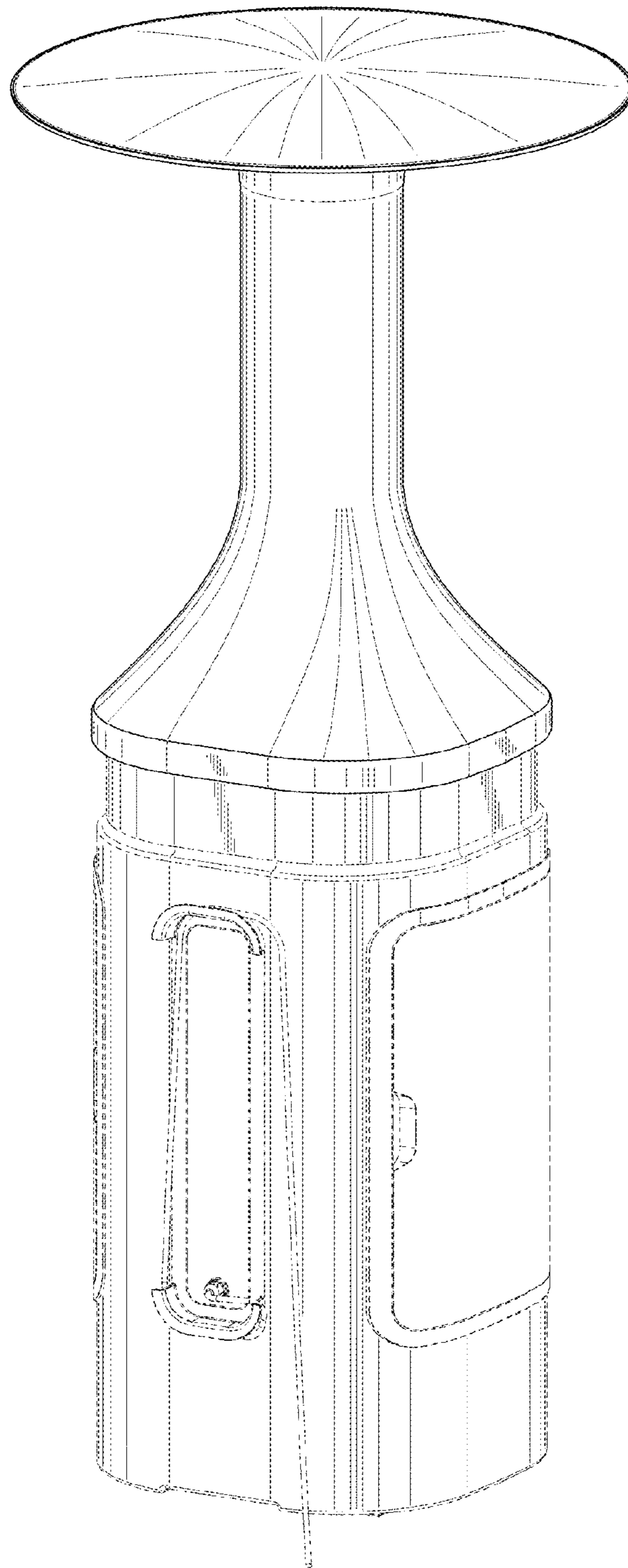


FIG. 5

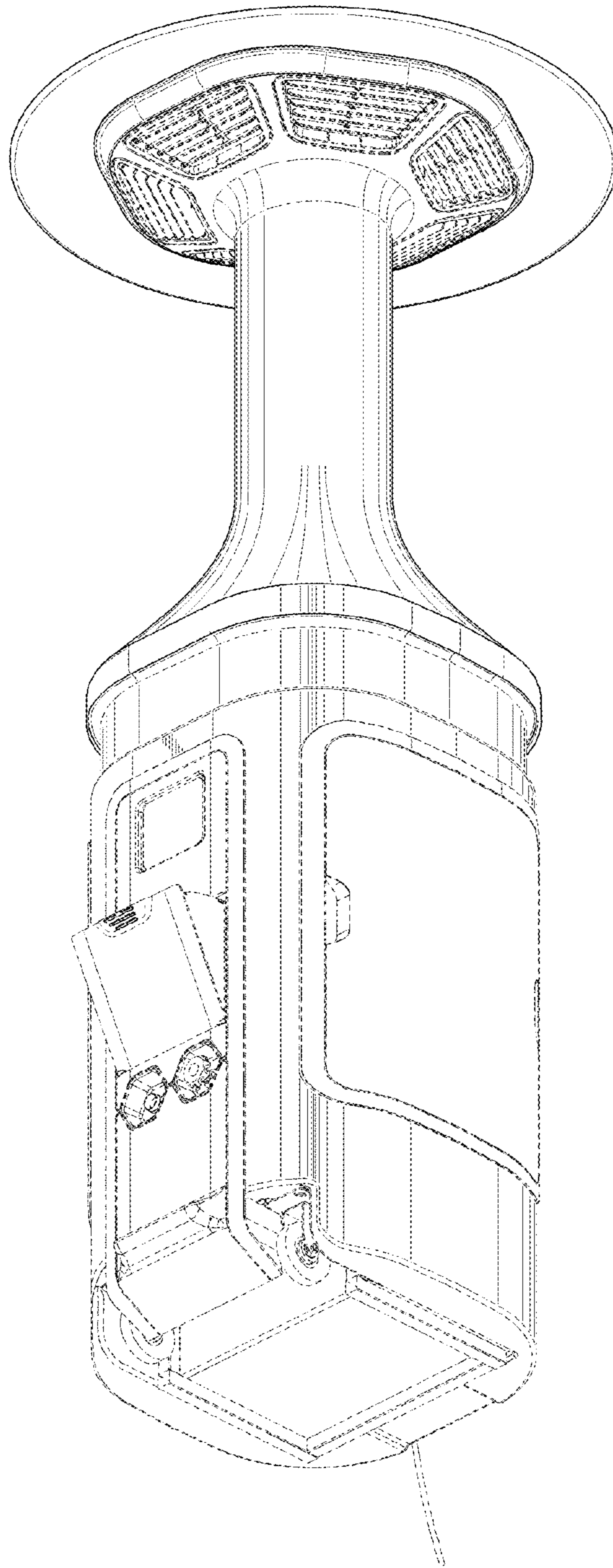


FIG. 6