



US00D689169S

(12) **United States Design Patent**  
**Engels**

(10) **Patent No.:** **US D689,169 S**

(45) **Date of Patent:** **\*\* Sep. 3, 2013**

(54) **FLUID DISPENSING SYSTEM**

(75) **Inventor:** **Marcel Engels, AX Voorhout (NL)**

(73) **Assignee:** **Fluid Management Operations LLC,**  
**Wheeling, IL (US)**

(\*\*) **Term:** **14 Years**

(21) **Appl. No.:** **29/427,898**

(22) **Filed:** **Jul. 24, 2012**

(30) **Foreign Application Priority Data**

Jan. 27, 2012 (EM) ..... 001982307-0001

(51) **LOC (9) Cl.** ..... **23-01**

(52) **U.S. Cl.**  
USPC ..... **D23/233**

(58) **Field of Classification Search**  
USPC ..... D23/233-237, 244-249; 137/624.14,  
137/624.18, 625.46, 554, 557, 119.06;  
210/87-89, 190-192, 288, 104-106, 662,  
210/541.7; 251/30.05

See application file for complete search history.

(56) **References Cited**

**U.S. PATENT DOCUMENTS**

3,208,476 A \* 9/1965 Clack ..... 137/599.15  
3,687,269 A \* 8/1972 Fritz et al. .... 144/250.16  
3,891,552 A \* 6/1975 Prior et al. .... 210/88  
4,298,025 A \* 11/1981 Prior et al. .... 137/624.14  
4,337,153 A \* 6/1982 Prior ..... 210/288  
4,427,549 A \* 1/1984 Brown et al. .... 210/662  
4,693,814 A \* 9/1987 Brown ..... 210/88

5,022,994 A \* 6/1991 Avery et al. .... 210/670  
5,490,932 A \* 2/1996 Hansen et al. .... 210/541  
6,189,556 B1 \* 2/2001 Blake et al. .... 137/119.07  
6,214,214 B1 \* 4/2001 Hansen et al. .... 210/106  
D499,170 S \* 11/2004 Park ..... D23/233  
D620,555 S \* 7/2010 Chuang et al. .... D23/233  
D623,273 S \* 9/2010 Cavagna ..... D23/233  
D625,777 S \* 10/2010 Loffler ..... D23/233  
D634,813 S \* 3/2011 Hernandez, IV ..... D23/233  
D638,915 S \* 5/2011 Cardno et al. .... D23/233

**OTHER PUBLICATIONS**

Certificate of Registration for Community Design Registration No.  
001802265-0001 registered on Jul. 1, 2011.

Certificate of Registration for Community Design Registration No.  
001802265-0002 registered on Jul. 1, 2011.

\* cited by examiner

*Primary Examiner* — Cynthia Ramirez

(74) *Attorney, Agent, or Firm* — Miller, Matthias & Hull  
LLP

(57) **CLAIM**

The ornamental design for a fluid dispensing system, as  
shown and described.

**DESCRIPTION**

FIG. 1 is a right perspective view showing my new design;  
FIG. 2 is a front view of the fluid dispensing system of FIG. 1;  
FIG. 3 is a rear view of the fluid dispensing system of FIG. 1;  
FIG. 4 is a top view of the fluid dispensing system of FIG. 1;  
and,  
FIG. 5 is a left side view of the fluid dispensing system of FIG.  
1, the right side view being identical thereto.

**1 Claim, 5 Drawing Sheets**

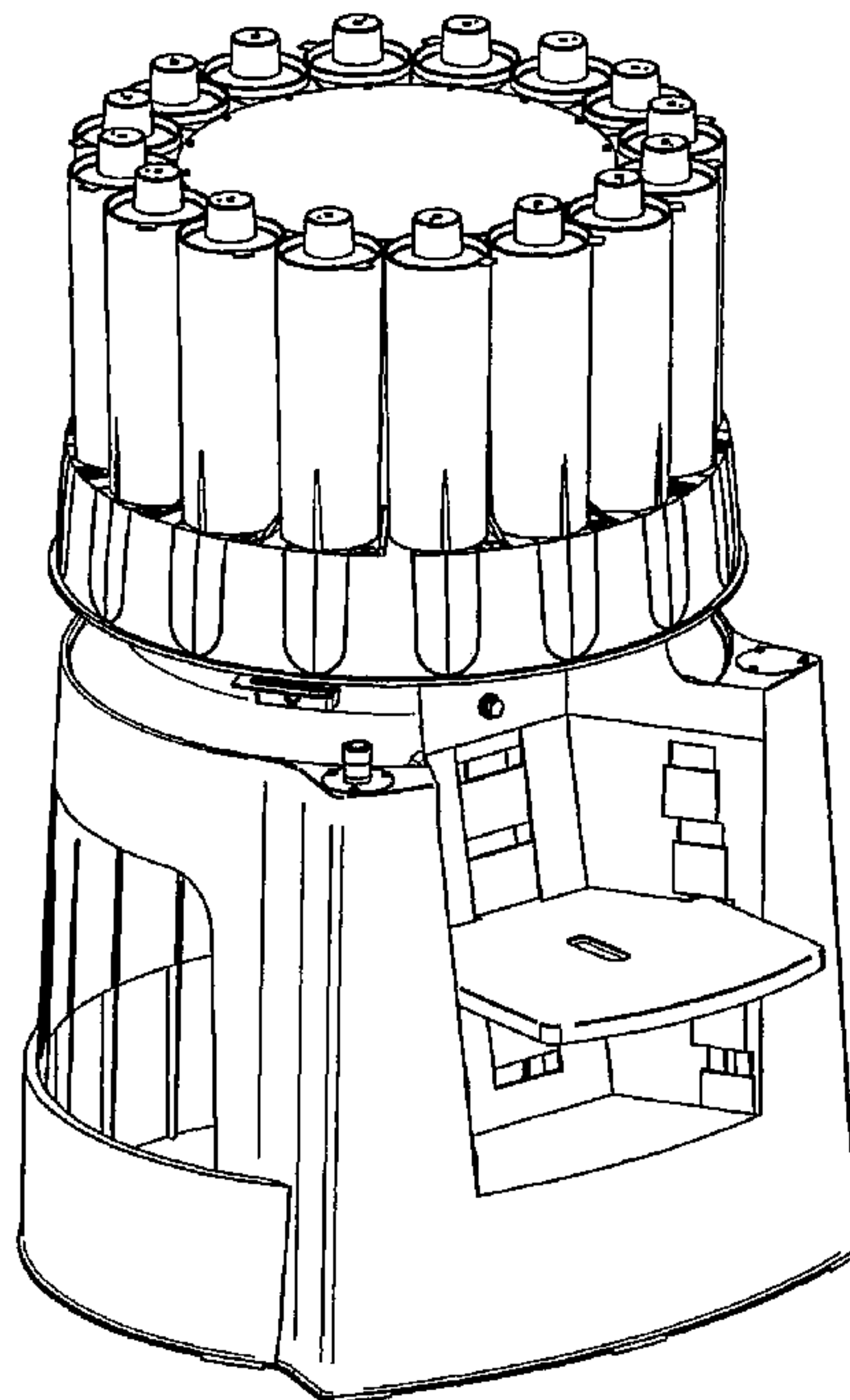


FIG. 1

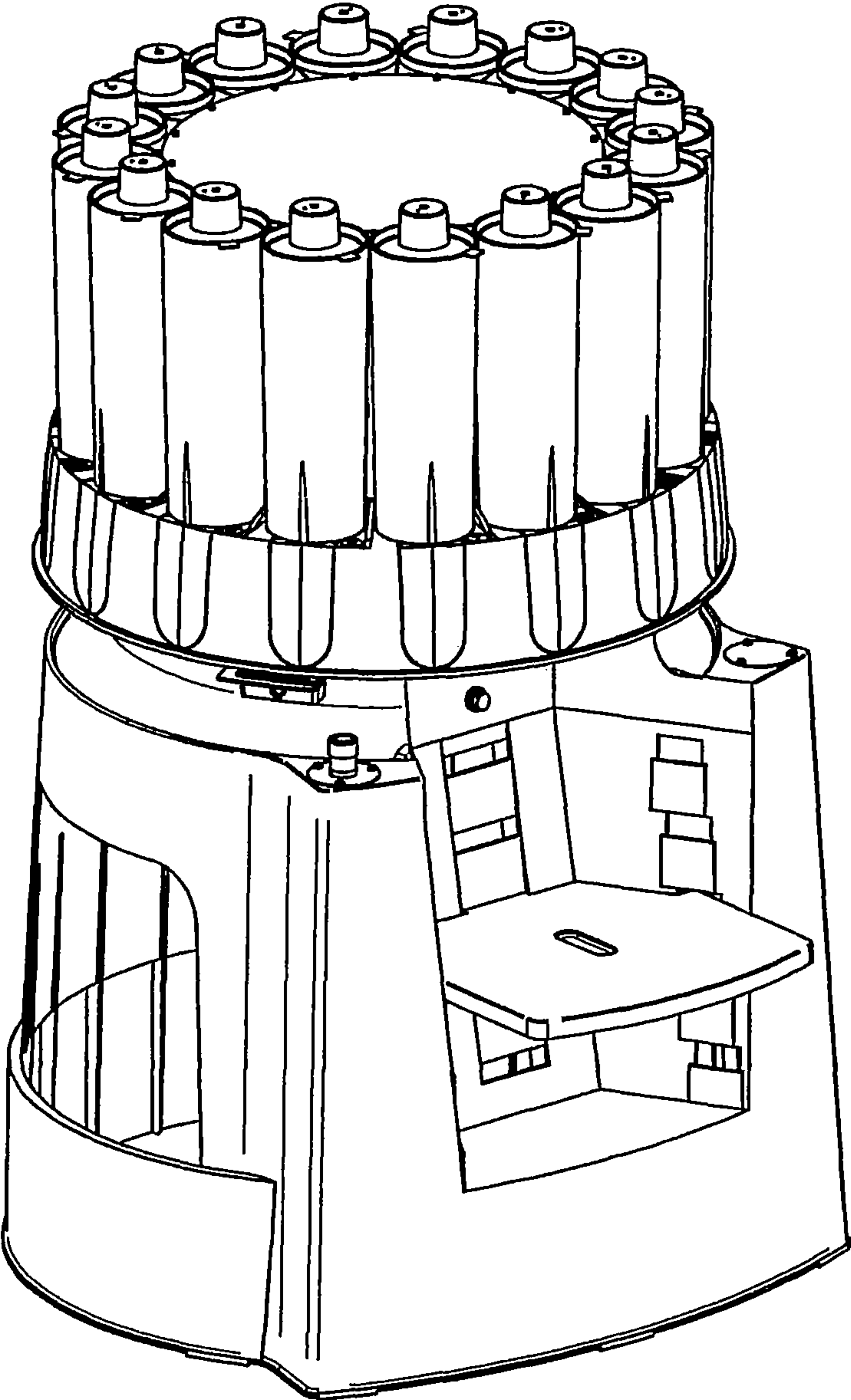


FIG. 2

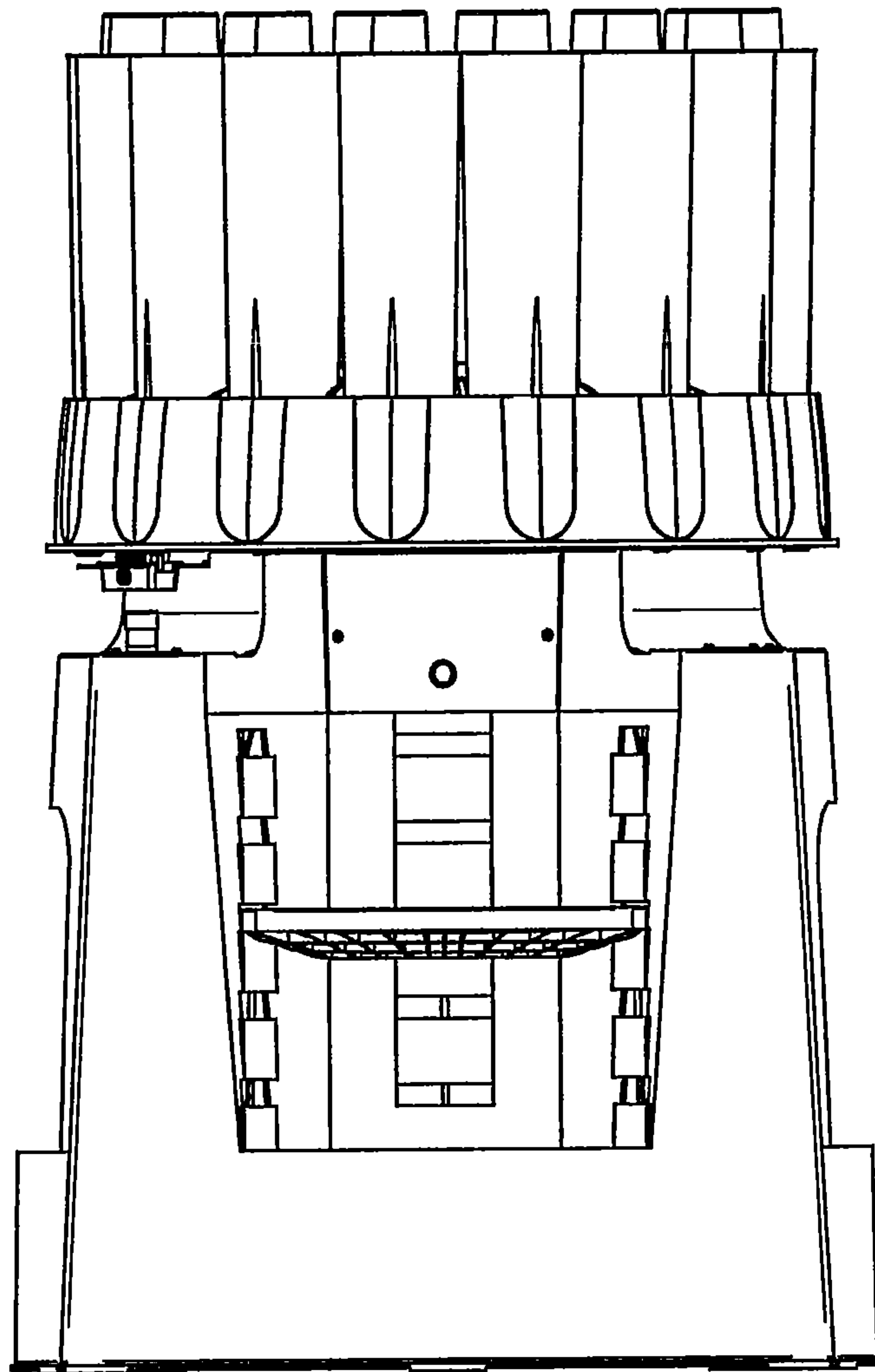


FIG. 3

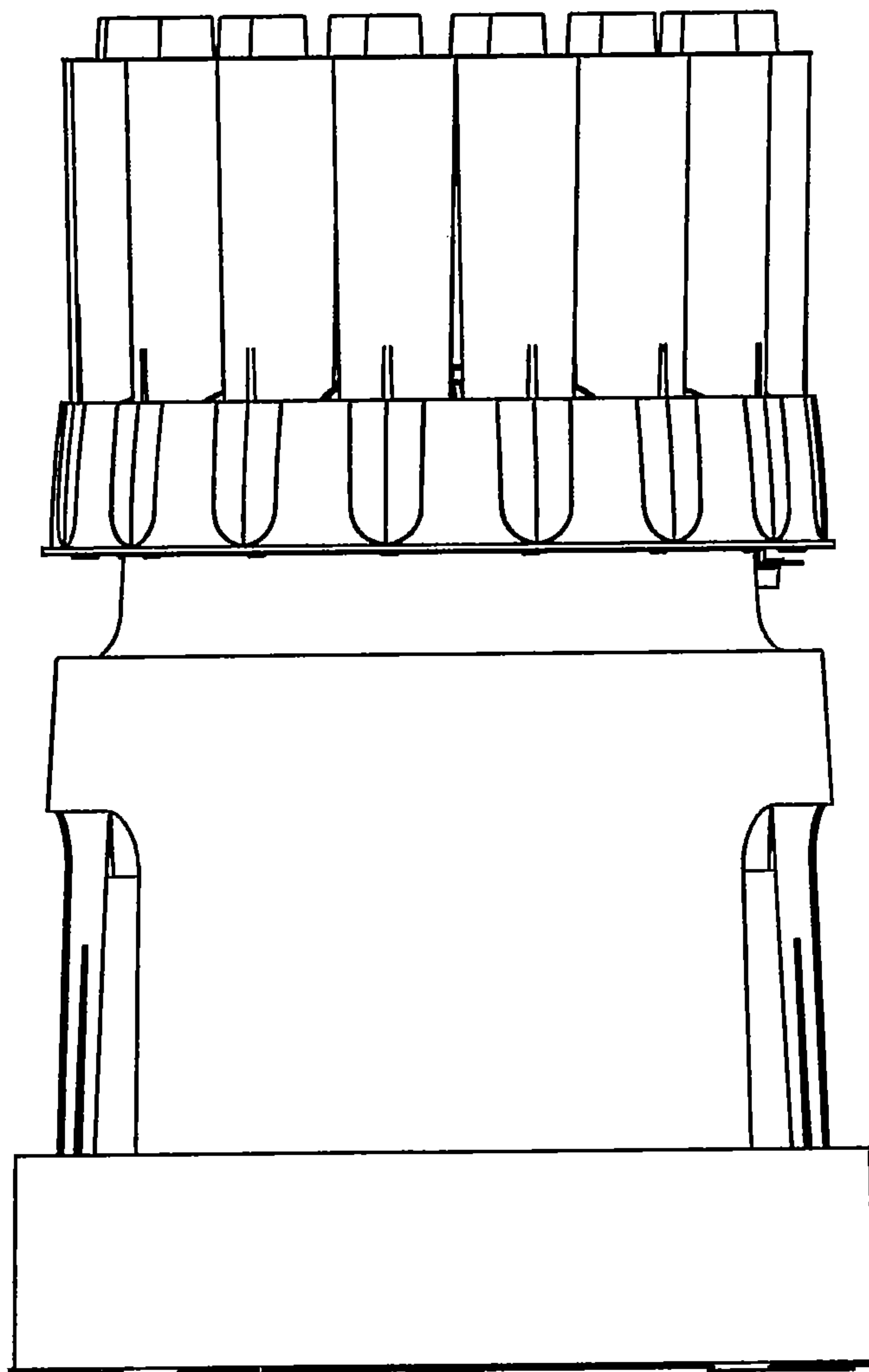


FIG. 4

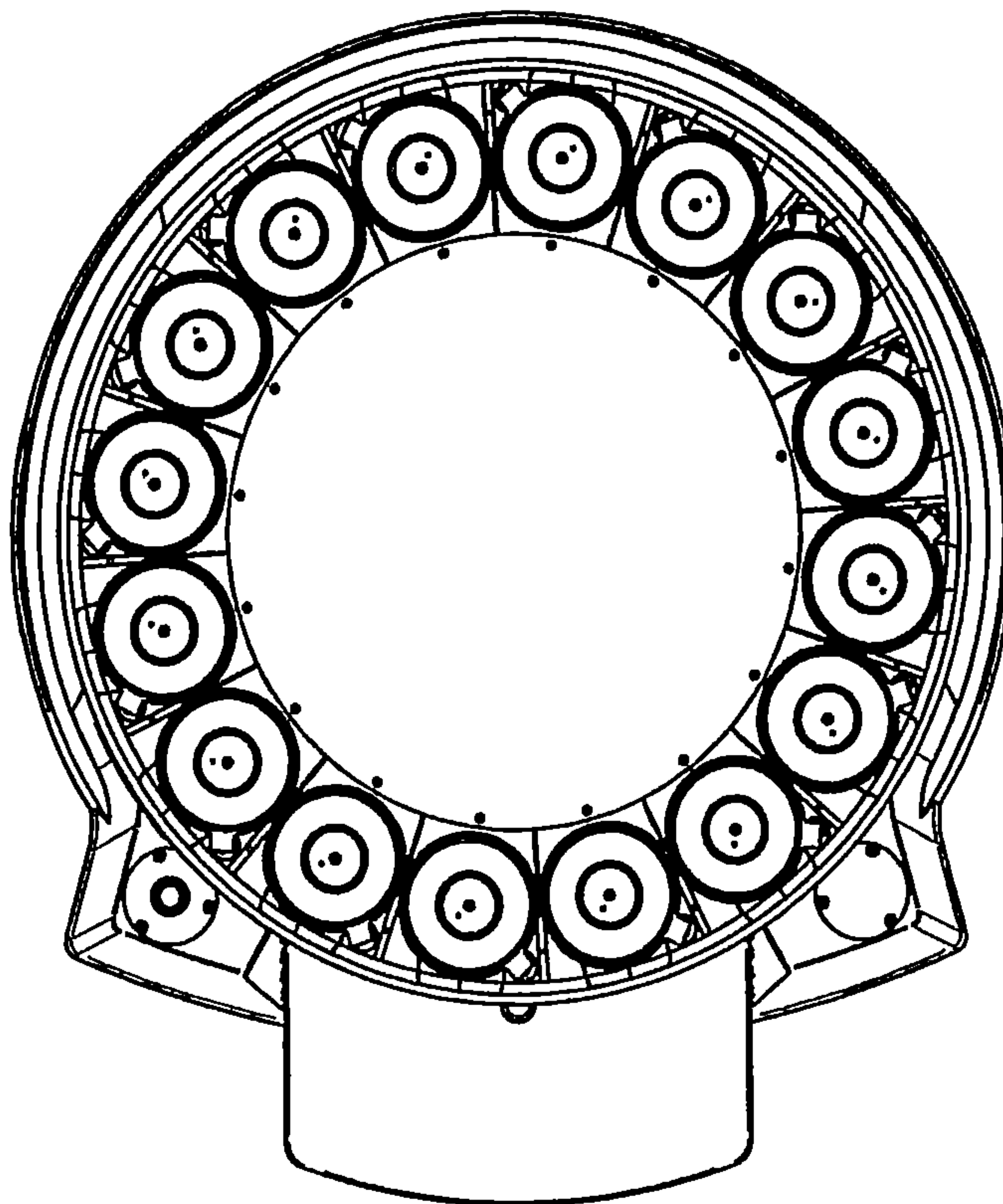


FIG. 5

