



US00D689166S

(12) **United States Design Patent**
Babagay

(10) **Patent No.:** **US D689,166 S**

(45) **Date of Patent:** **** Sep. 3, 2013**

(54) **CRAB SNARE TRAP CAGE**

(76) Inventor: **Darrel J Babagay**, Modesto, CA (US)

(**) Term: **14 Years**

(21) Appl. No.: **29/413,578**

(22) Filed: **Feb. 16, 2012**

(51) **LOC (9) Cl.** **22-06**

(52) **U.S. Cl.**
USPC **D22/121**

(58) **Field of Classification Search**
USPC D22/121, 119, 199; 43/9.1, 9.8,
43/7, 27.4, 100-105; 119/474
See application file for complete search history.

(56) **References Cited**

U.S. PATENT DOCUMENTS

| | | | | |
|----------------|---------|----------|-------|---------|
| D344,318 S * | 2/1994 | Steinman | | D22/121 |
| D401,994 S * | 12/1998 | Whalley | | D22/121 |
| D414,236 S * | 9/1999 | Costa | | D22/121 |
| 6,195,931 B1 * | 3/2001 | Johnson | | 43/105 |
| D466,964 S * | 12/2002 | Jolliffe | | D22/121 |
| D494,653 S * | 8/2004 | Long | | D22/121 |
| D590,474 S * | 4/2009 | Colucci | | D22/121 |

* cited by examiner

Primary Examiner — Catheri Oliver-Garcia

(74) *Attorney, Agent, or Firm* — Sinorica, LLC

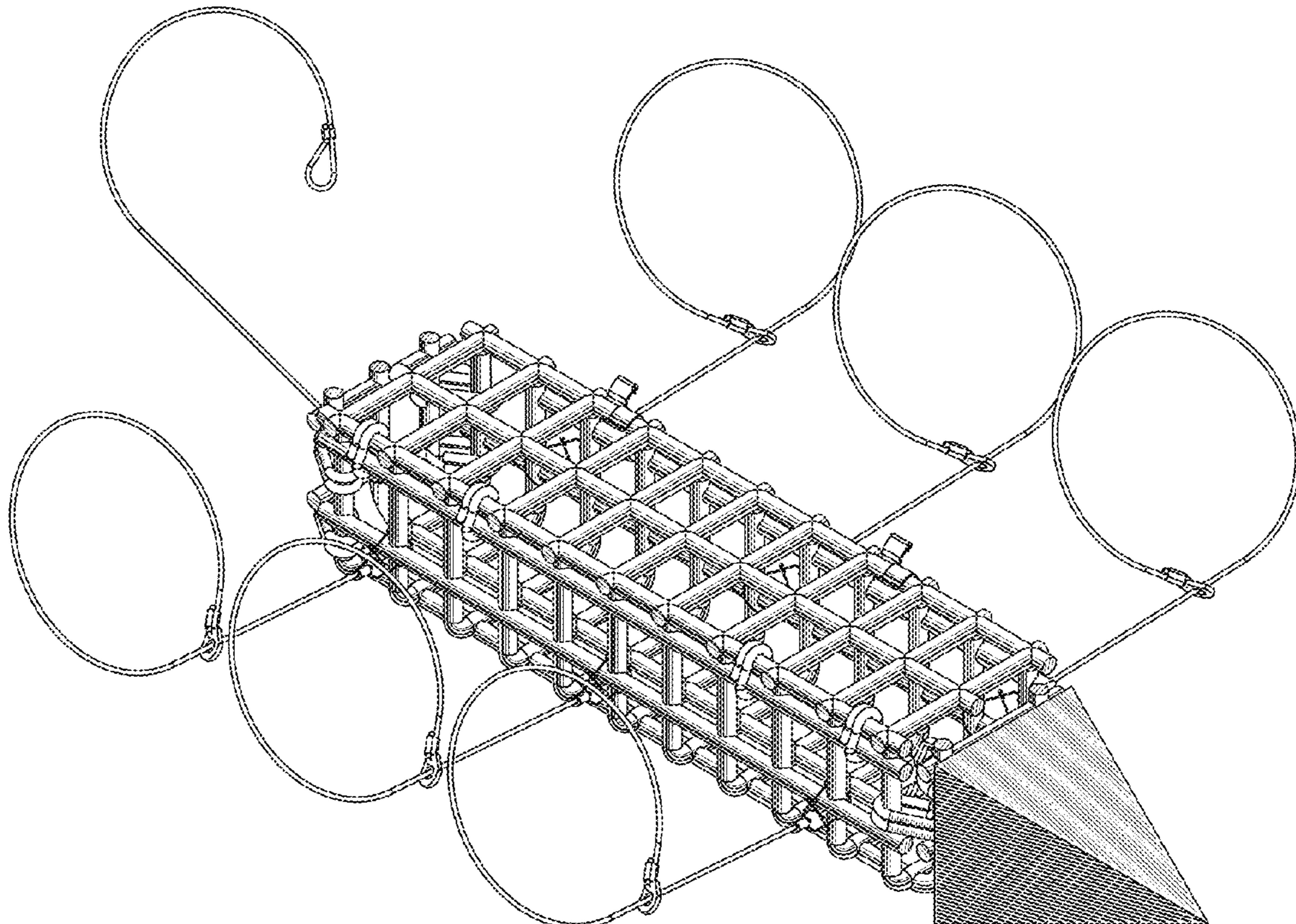
(57) **CLAIM**

The ornamental design for a crab snare trap cage, as shown and described.

DESCRIPTION

FIG. 1 is a front elevation view of the crab snare trap cage; FIG. 2 is a rear elevation view thereof; FIG. 3 right side elevation view thereof; FIG. 4 is a left side elevation view thereof; FIG. 5 is a top plan view thereof; FIG. 6 is a bottom plan view thereof; FIG. 7 is a front and right side perspective view thereof; FIG. 8 is a top, front and left side perspective view thereof, with the top cage shown open; FIG. 9 is a top, rear and left side perspective view thereof, with the top cage shown open; FIG. 10 is a left side elevation view; and, FIG. 11 is a front cross sectional view shown along line 11-11 of FIG. 10.

1 Claim, 11 Drawing Sheets



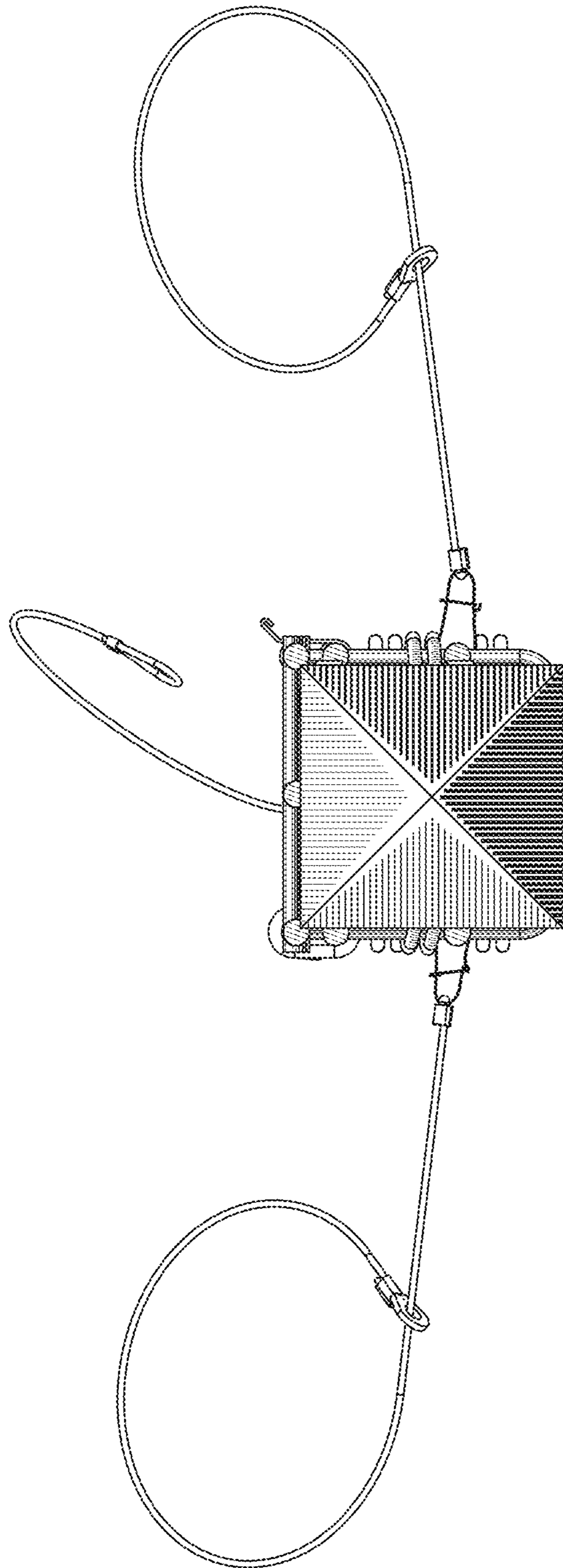


FIG. 1

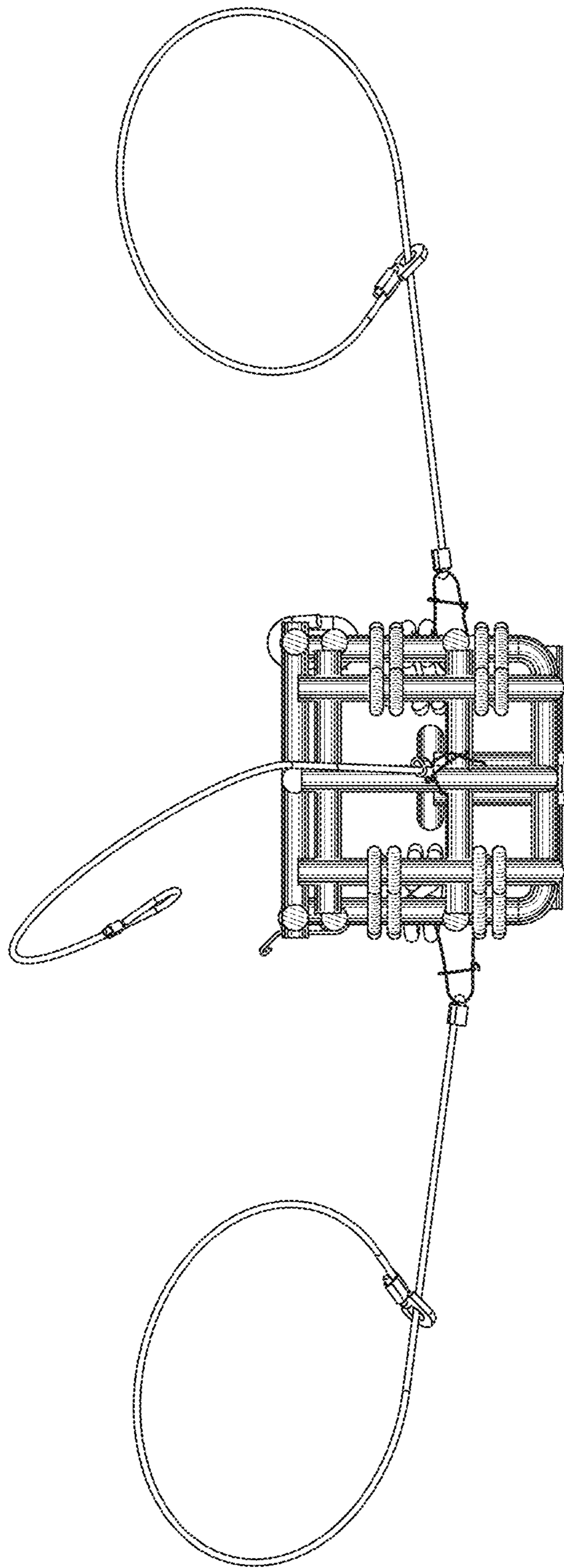


FIG. 2

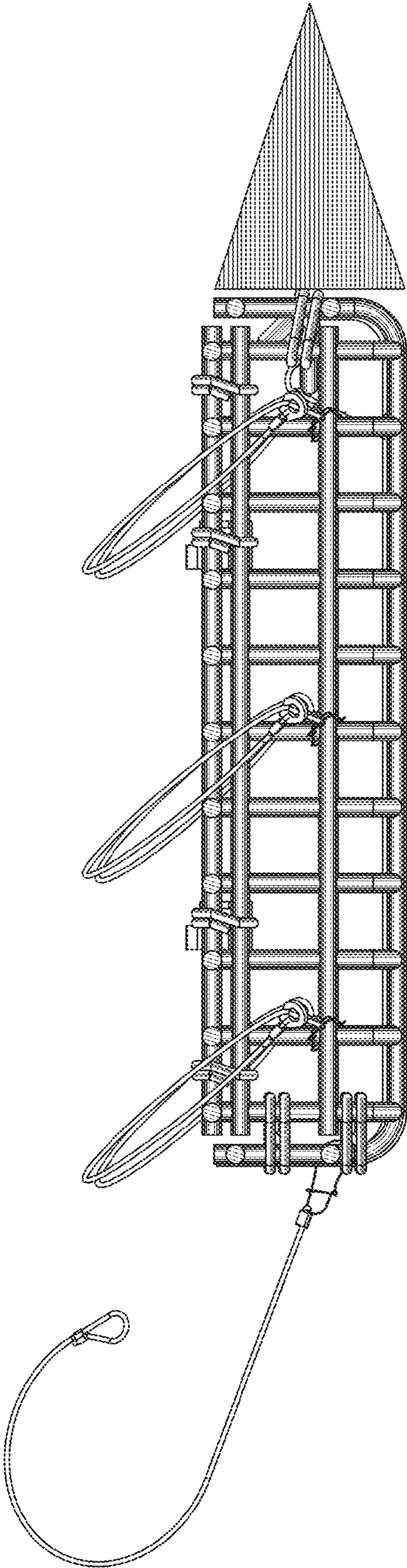


FIG. 3

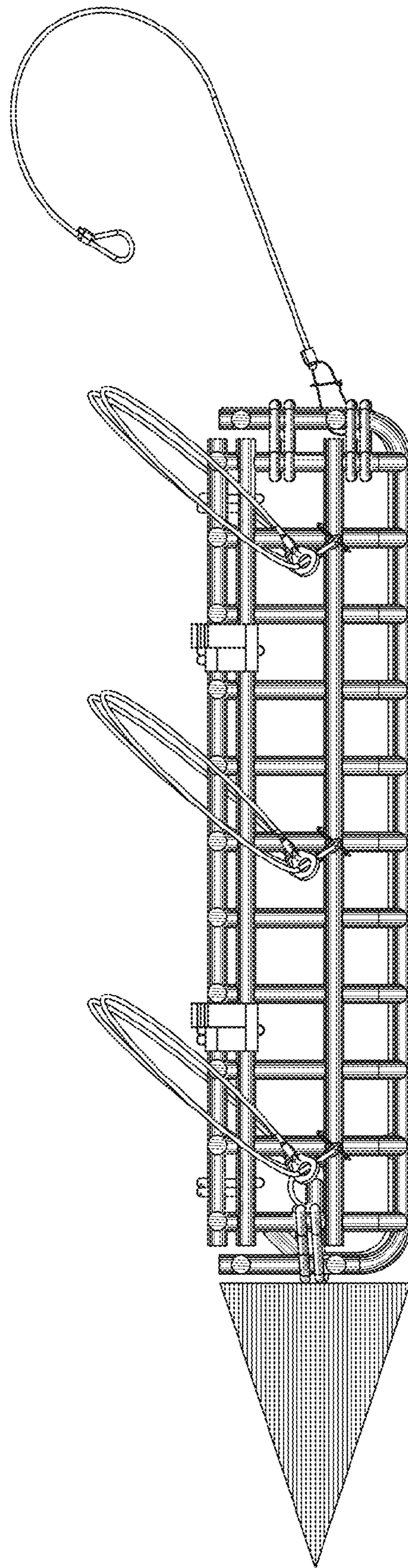


FIG. 4

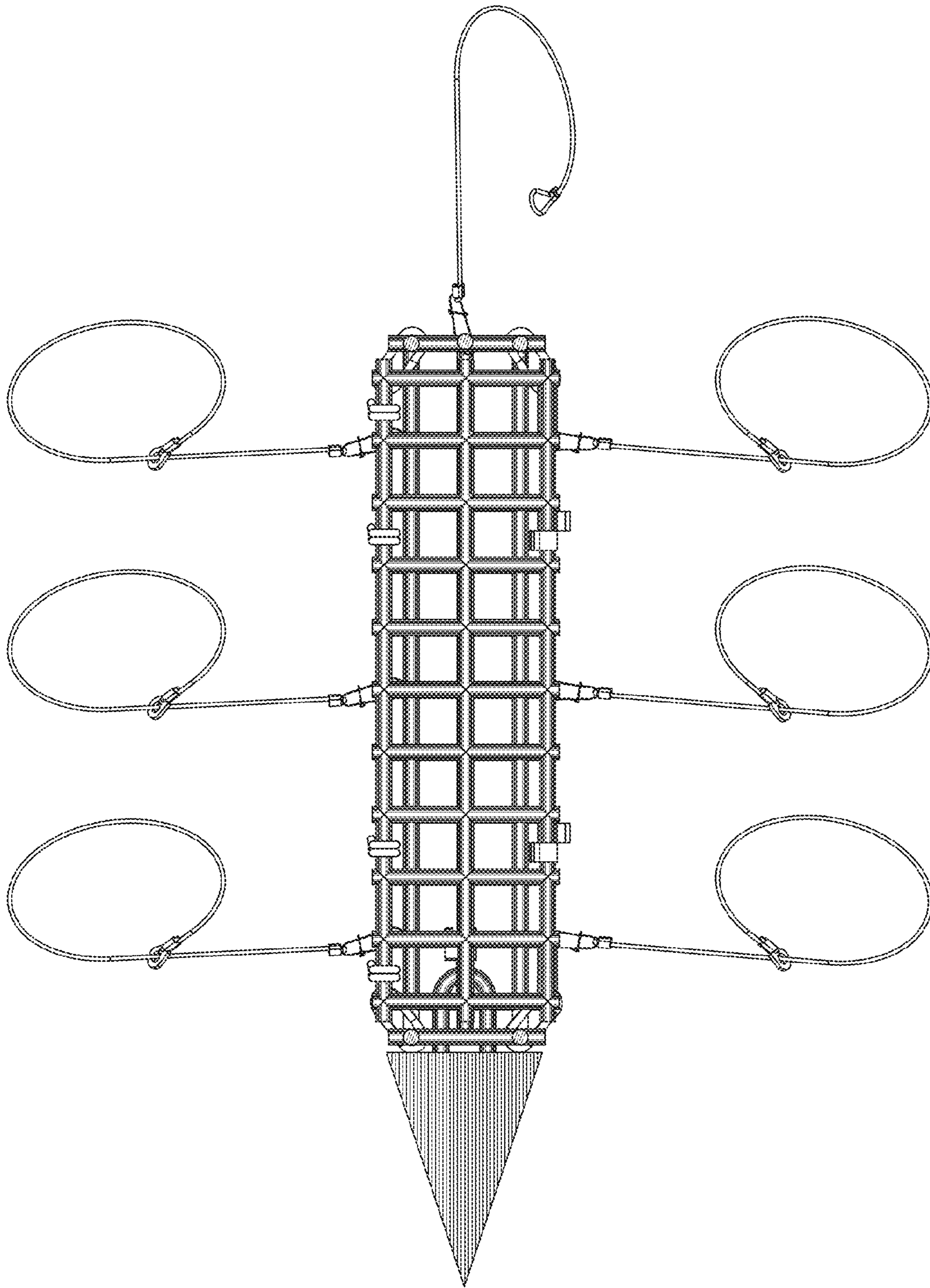


FIG. 5

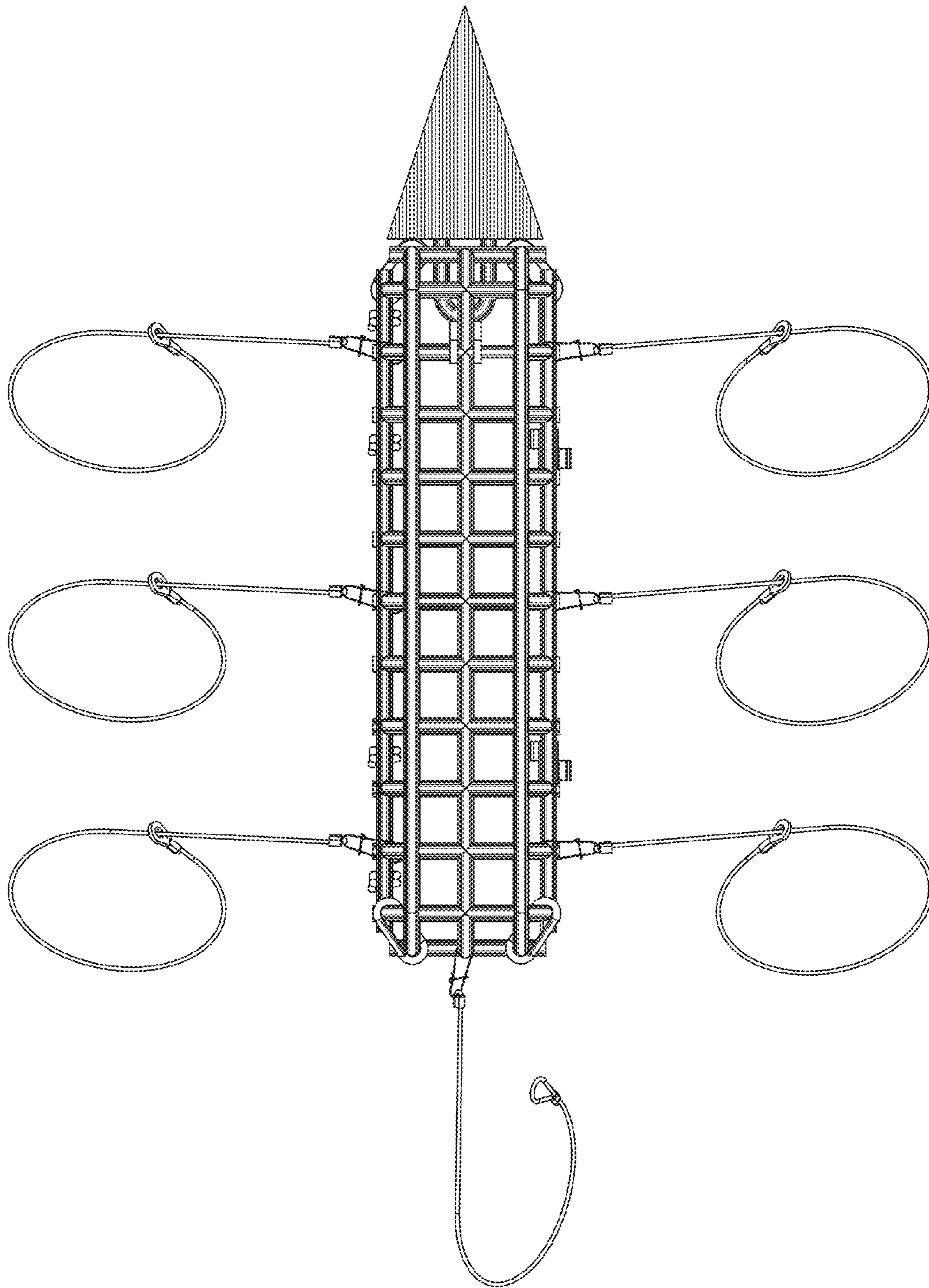


FIG. 6

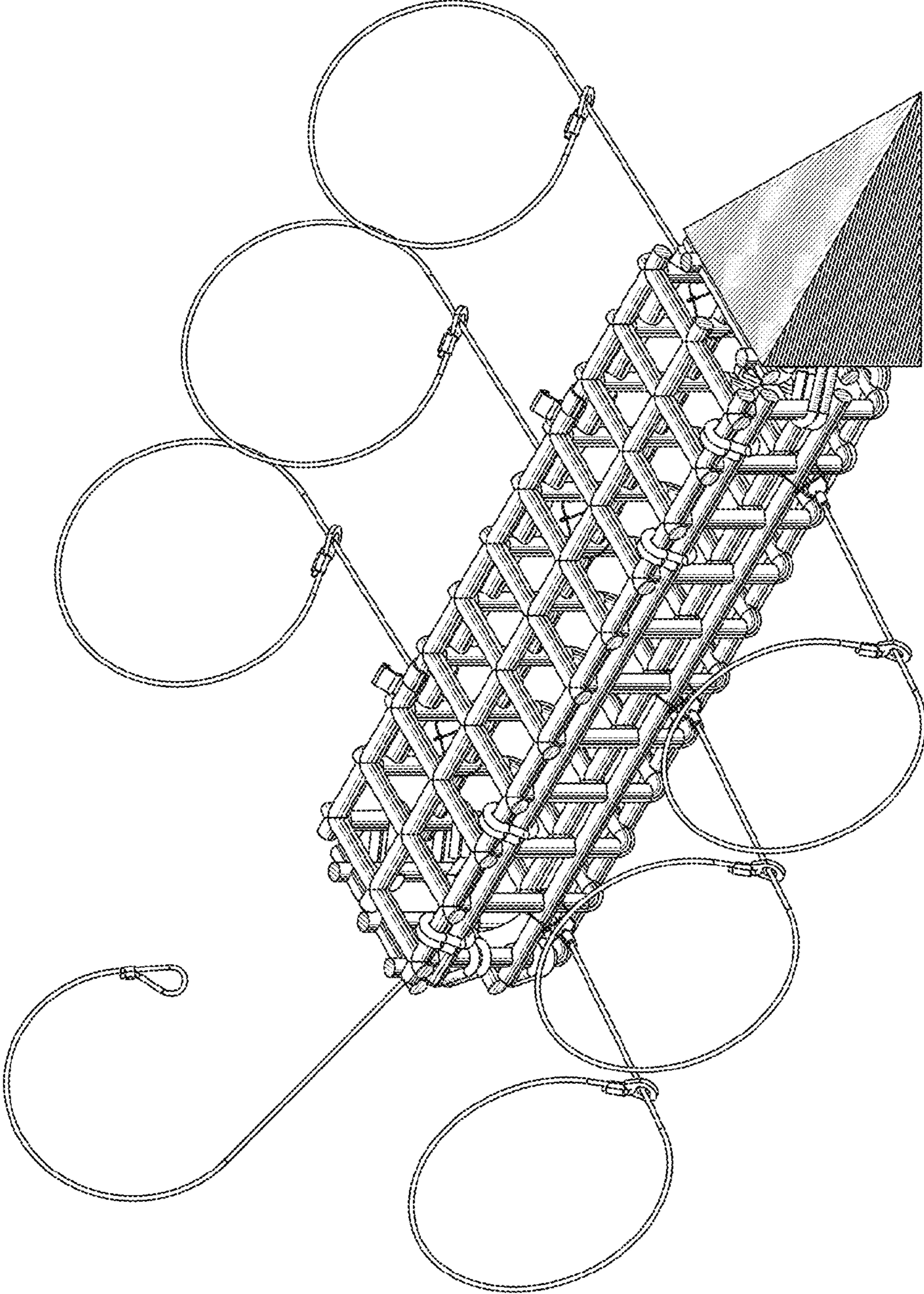


FIG. 7

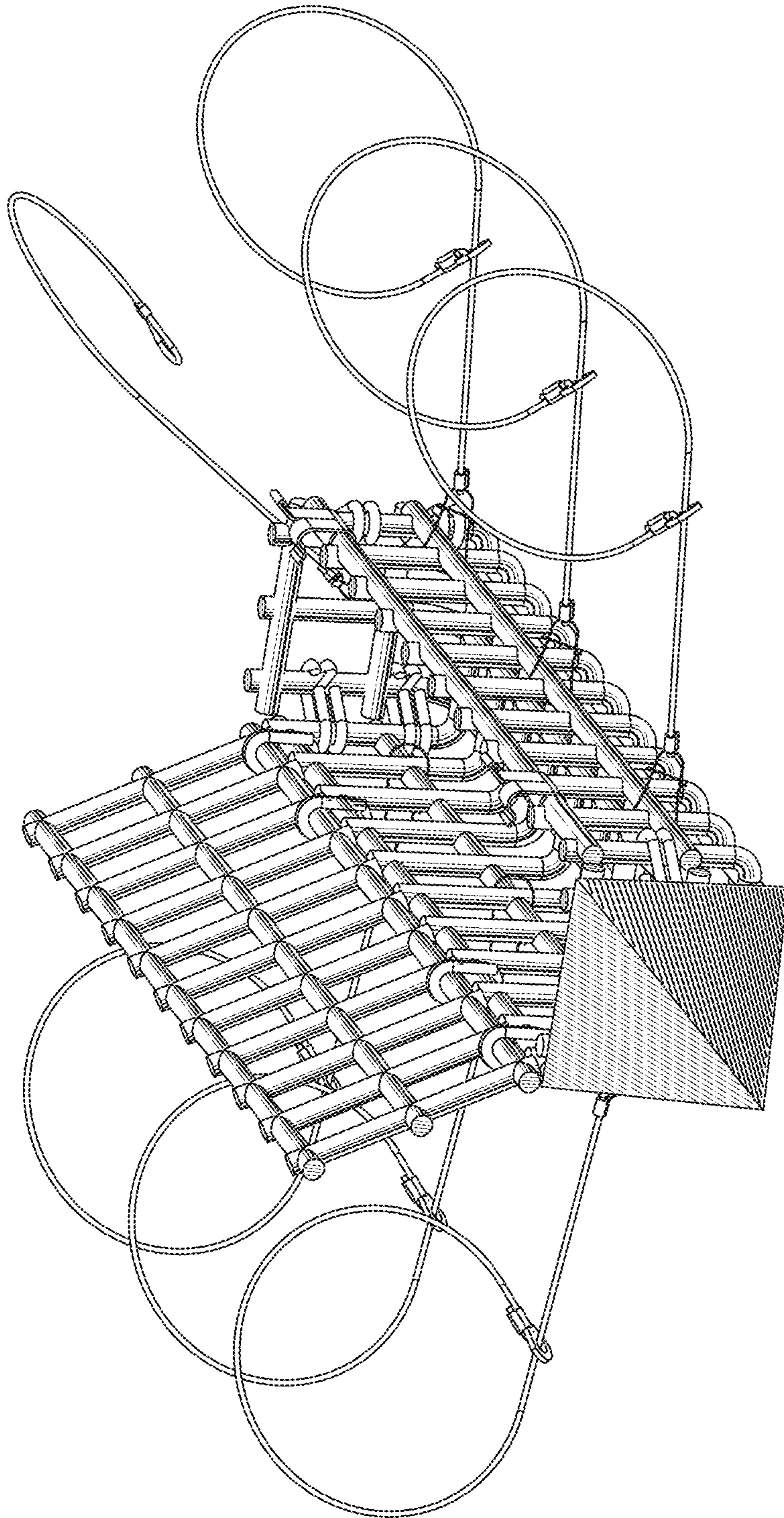


FIG. 8

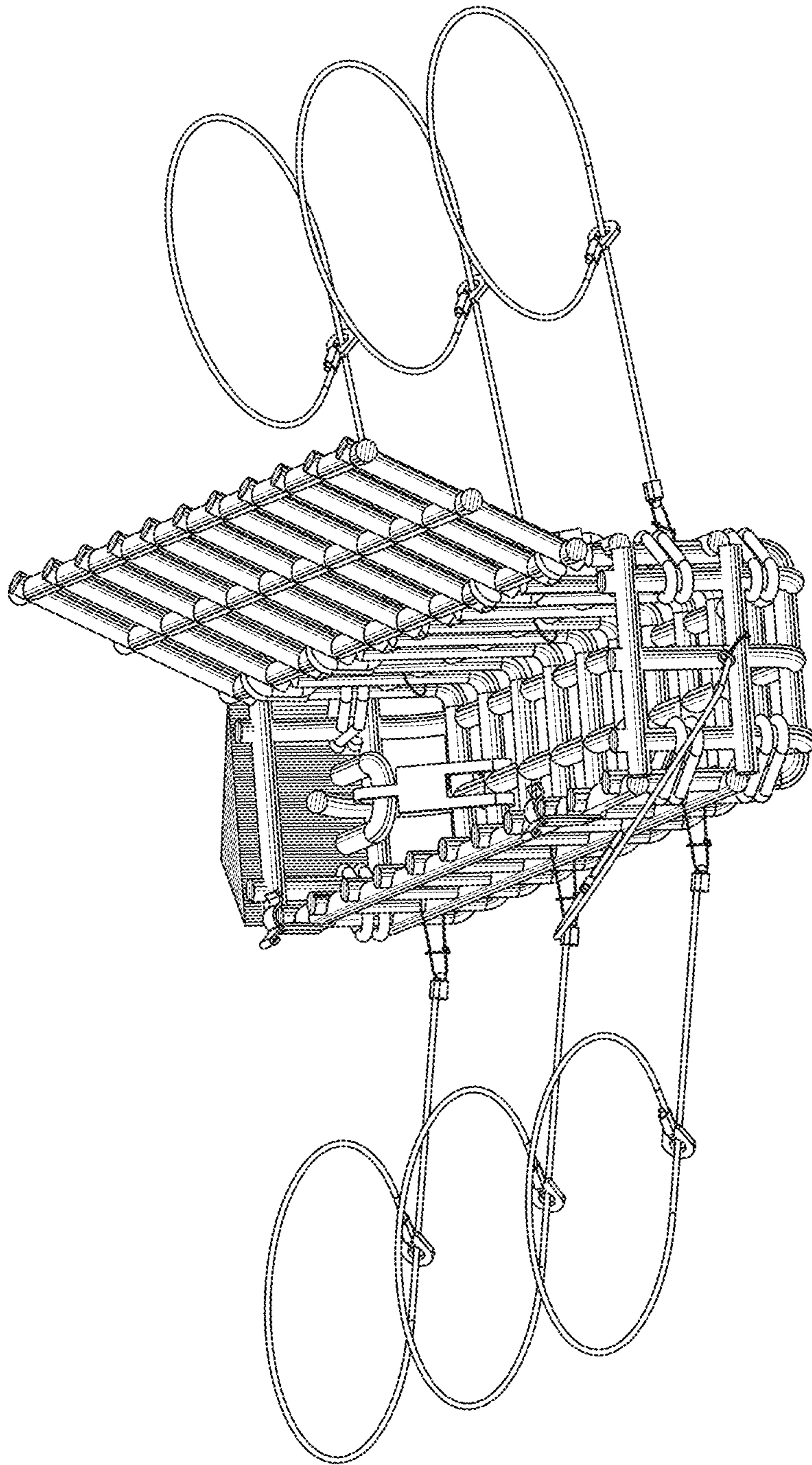


FIG. 9

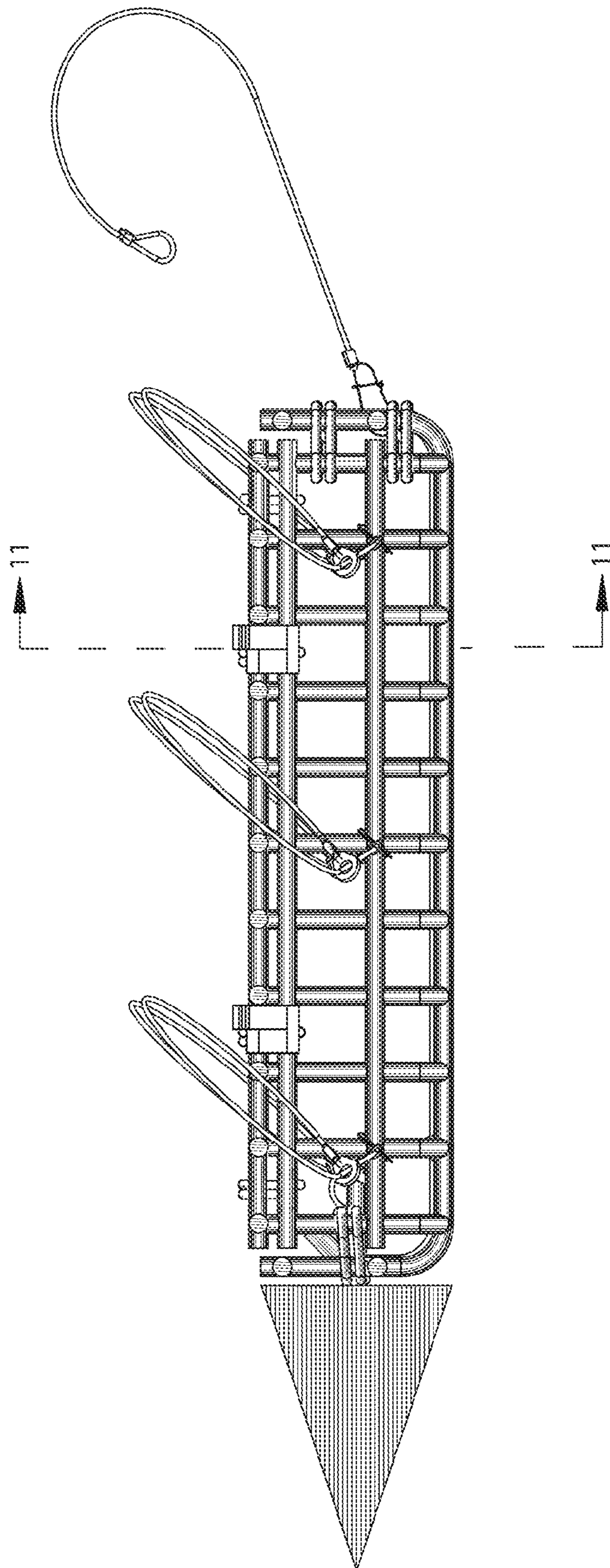


FIG. 10

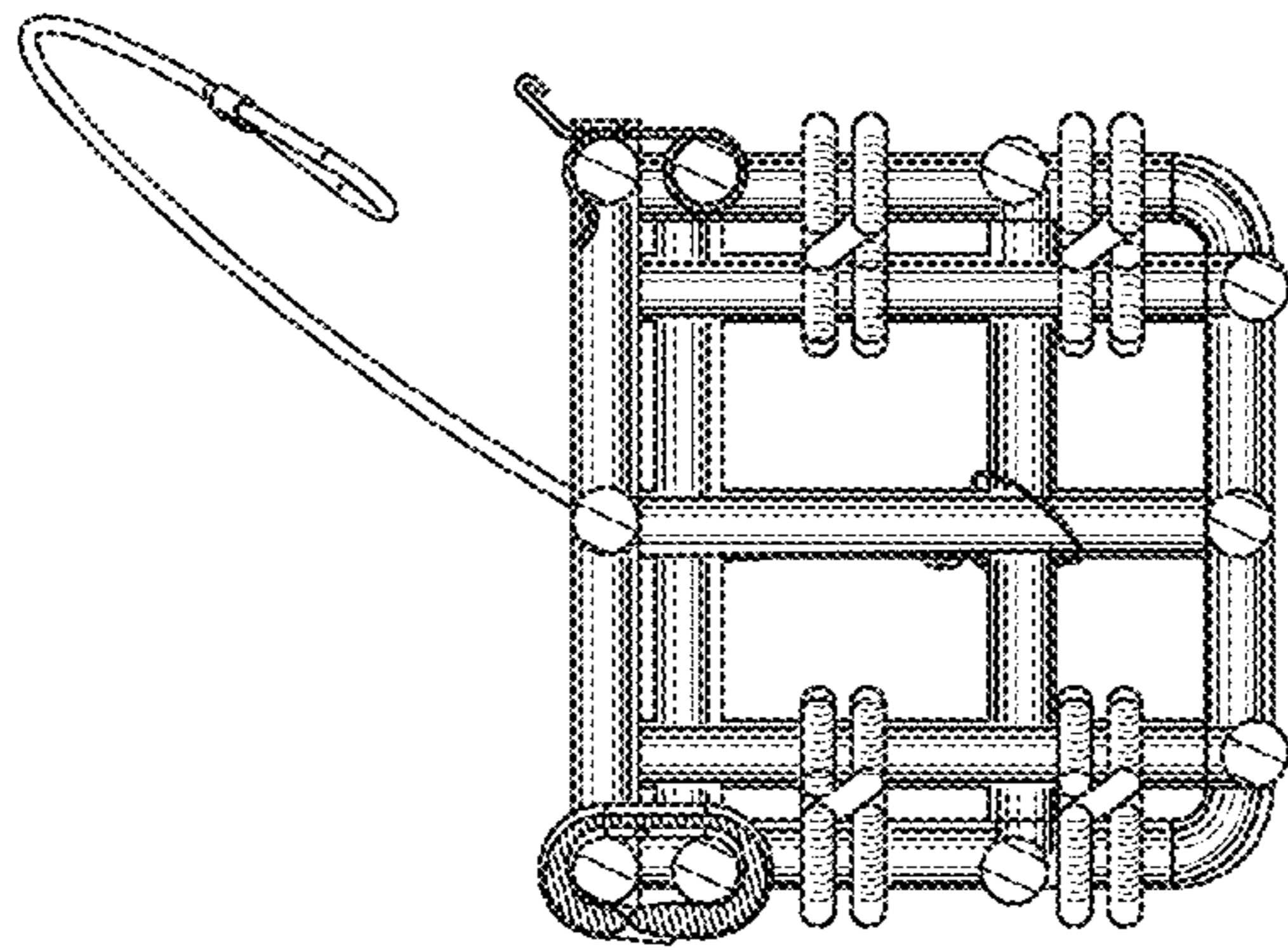


FIG. 11