



US00D689165S

(12) **United States Design Patent**  
**Tyybakinoja et al.**

(10) **Patent No.:** **US D689,165 S**  
(45) **Date of Patent:** **\*\* Sep. 3, 2013**

(54) **BATON INCLUDING A HANDHOLD AND A HOLSTER**

D520,733 S \* 5/2006 Siteman ..... D22/117  
D535,471 S \* 1/2007 Parsons ..... D3/229  
2004/0178237 A1\* 9/2004 Kostal et al. .... 224/200

(75) Inventors: **Jarno Tyybakinoja**, Lahela (FI); **Sami Helle**, Masku (FI)

\* cited by examiner

(73) Assignee: **Holster Tech Finland Oy**, Helsinki (FI)

*Primary Examiner* — Catheri Oliver-Garcia

(74) *Attorney, Agent, or Firm* — Fildes & Outland, P.C.

(\*\*) Term: **14 Years**

(21) Appl. No.: **29/417,319**

(57) **CLAIM**

The ornamental design for a baton including a handhold and a holster, as shown and described.

(22) Filed: **Apr. 2, 2012**

**DESCRIPTION**

(30) **Foreign Application Priority Data**

Oct. 18, 2011 (EP) ..... 001933425

(51) **LOC (9) Cl.** ..... **22-02**

(52) **U.S. Cl.**  
USPC ..... **D22/117**

(58) **Field of Classification Search**  
USPC ..... D22/117-120; D3/220, 229; 224/914,  
224/191-193, 232, 253, 242-245, 247, 200,  
224/674; 30/151-155, 162  
See application file for complete search history.

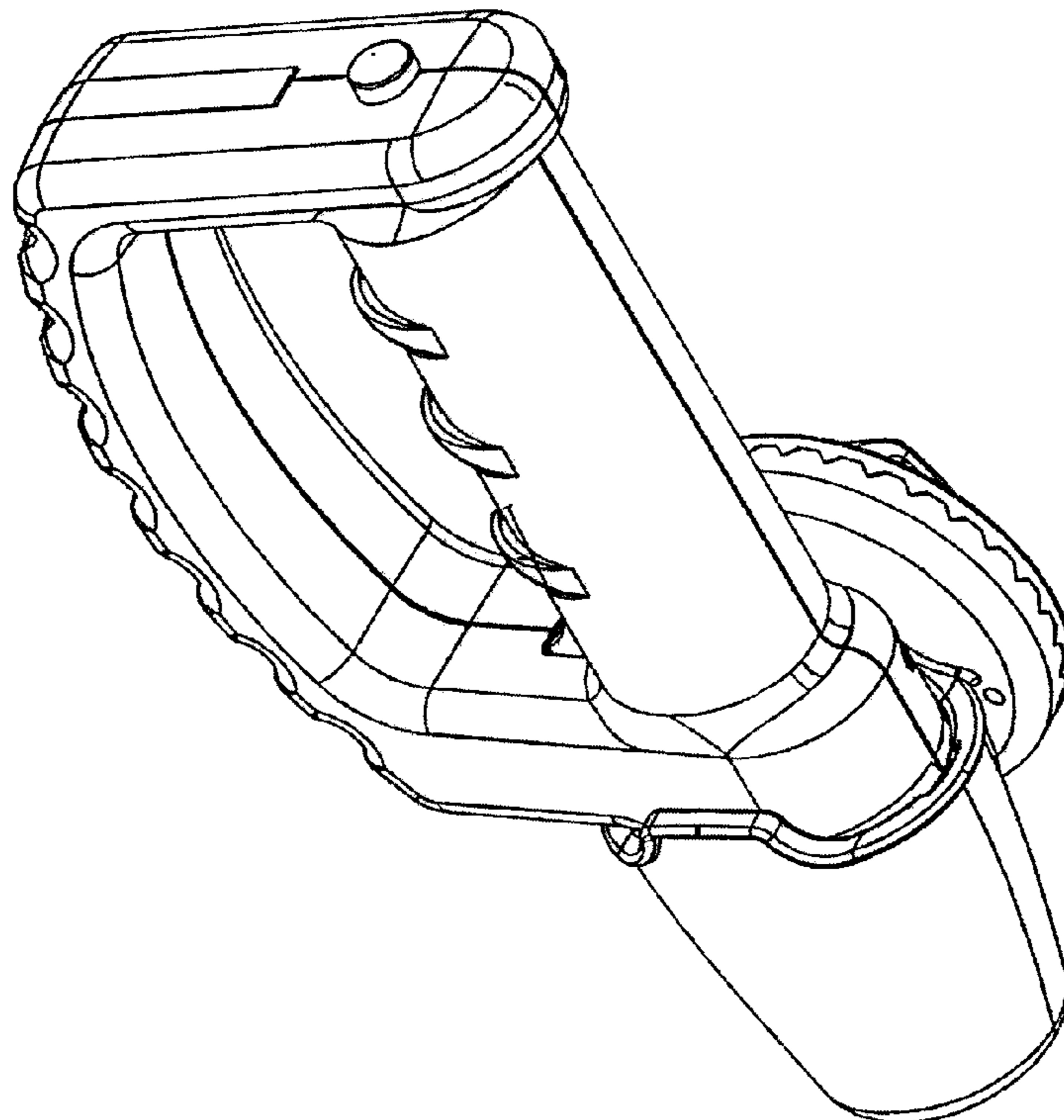
FIG. 1 is a front view of a baton including a handhold and a holster of our new design;  
FIG. 2 is a front perspective view of the baton including a handhold and a holster;  
FIG. 3 is a second front perspective view of the baton including a handhold and a holster;  
FIG. 4 is a side view of the baton including a handhold and a holster;  
FIG. 5 is a second side view of the baton including a handhold and a holster;  
FIG. 6 is a rear view of the baton including a handhold and a holster; and,  
FIG. 7 is a top view of the baton including a handhold and a holster.

(56) **References Cited**

**U.S. PATENT DOCUMENTS**

D487,629 S \* 3/2004 Parsons et al. .... D3/220  
6,889,878 B2\* 5/2005 Parsons ..... 224/200

**1 Claim, 7 Drawing Sheets**



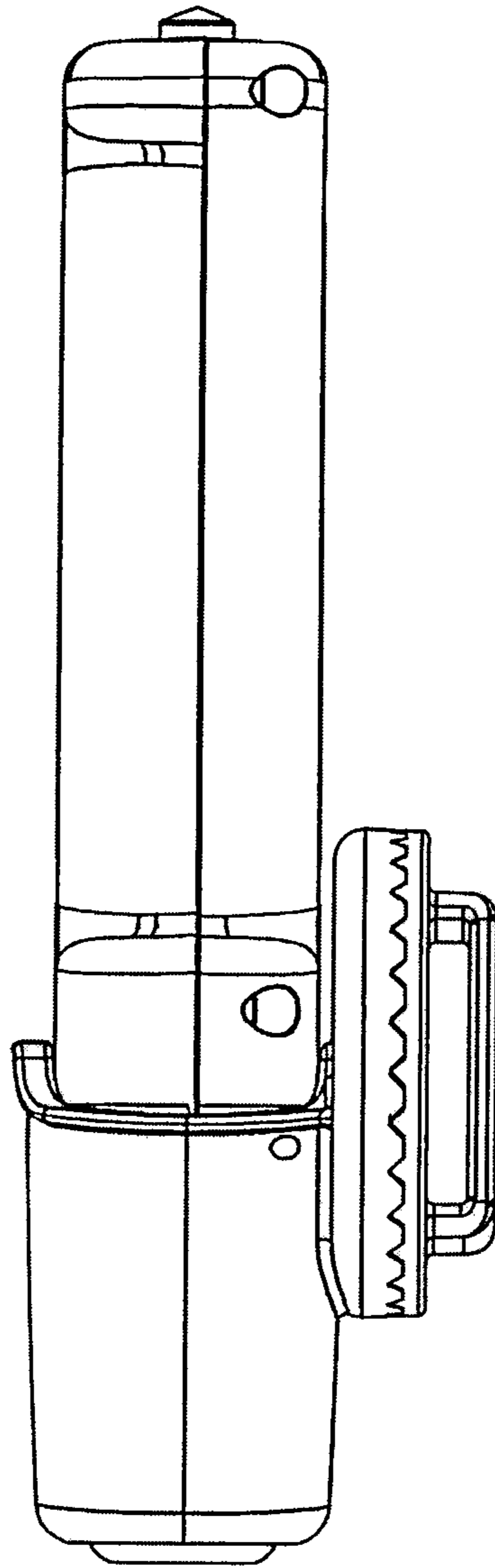


FIG. 1

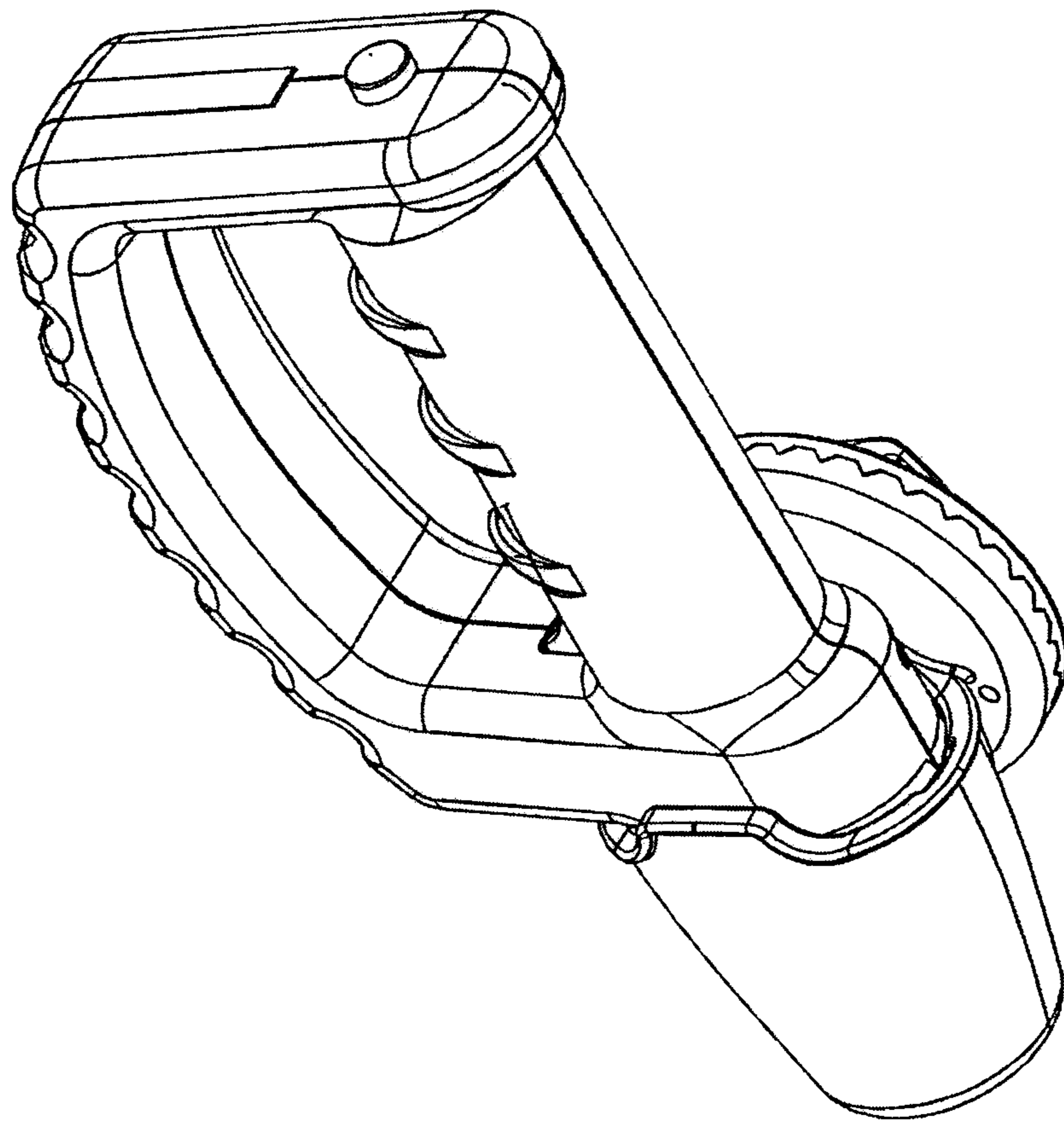


FIG. 2

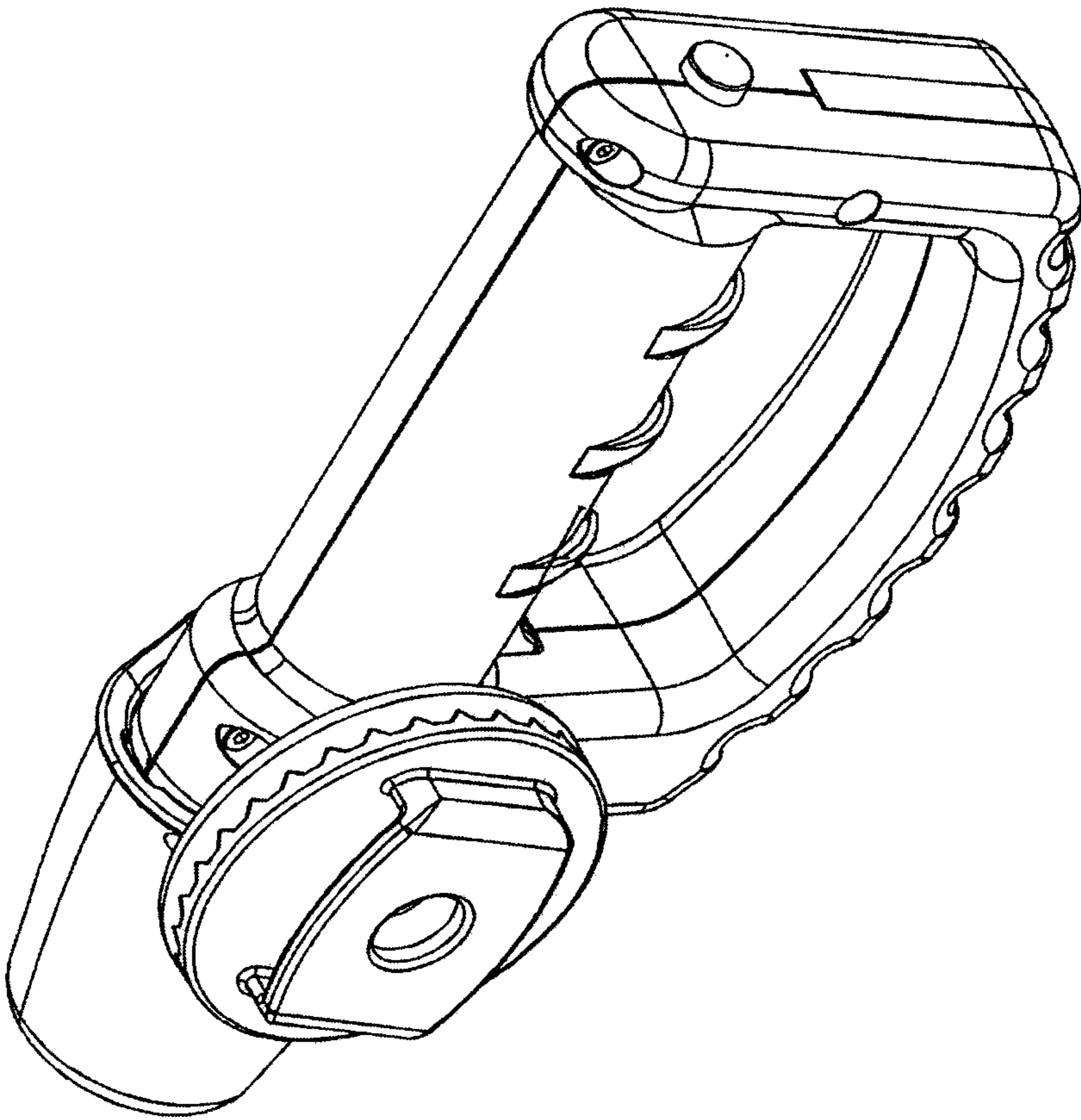


FIG. 3

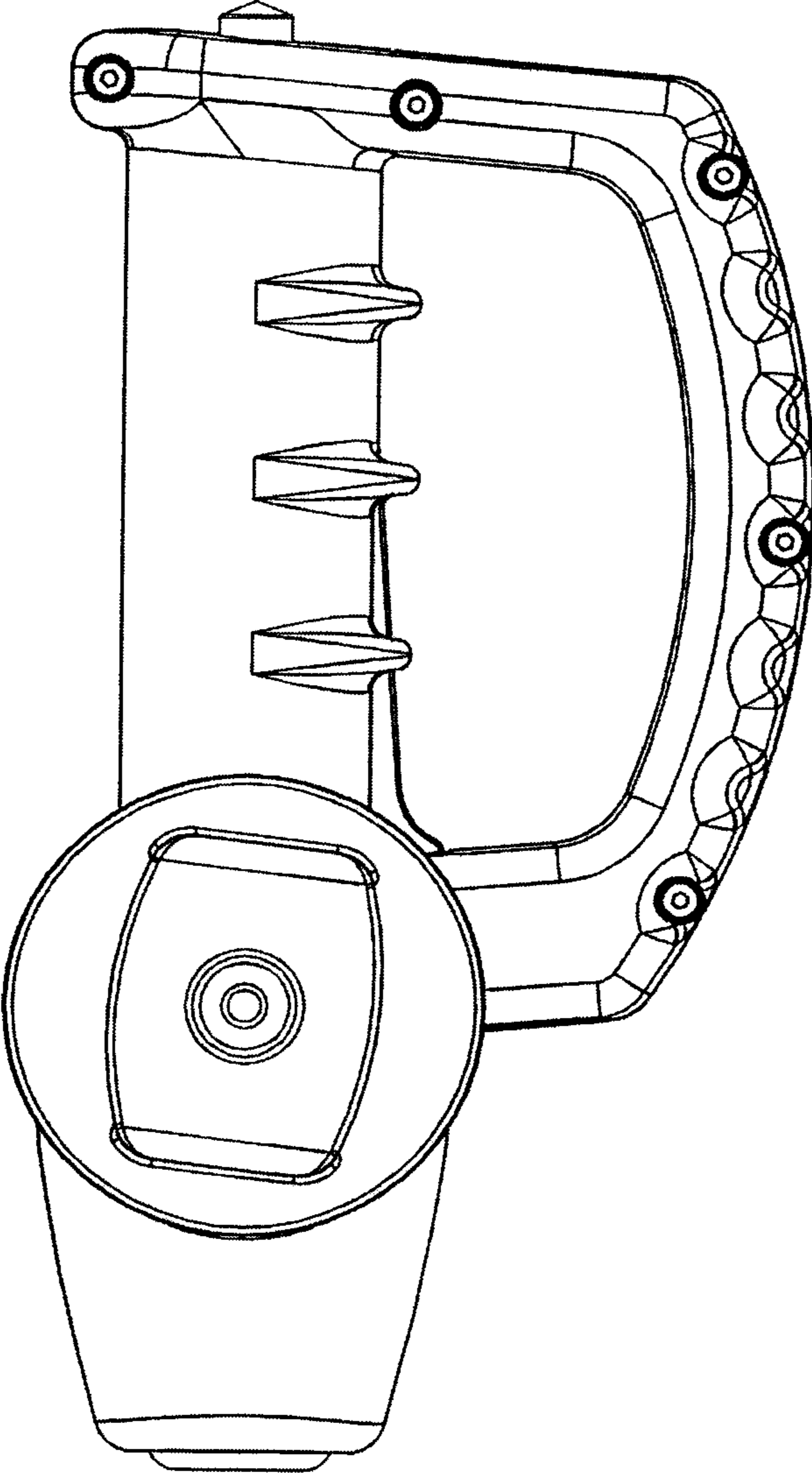


FIG. 4

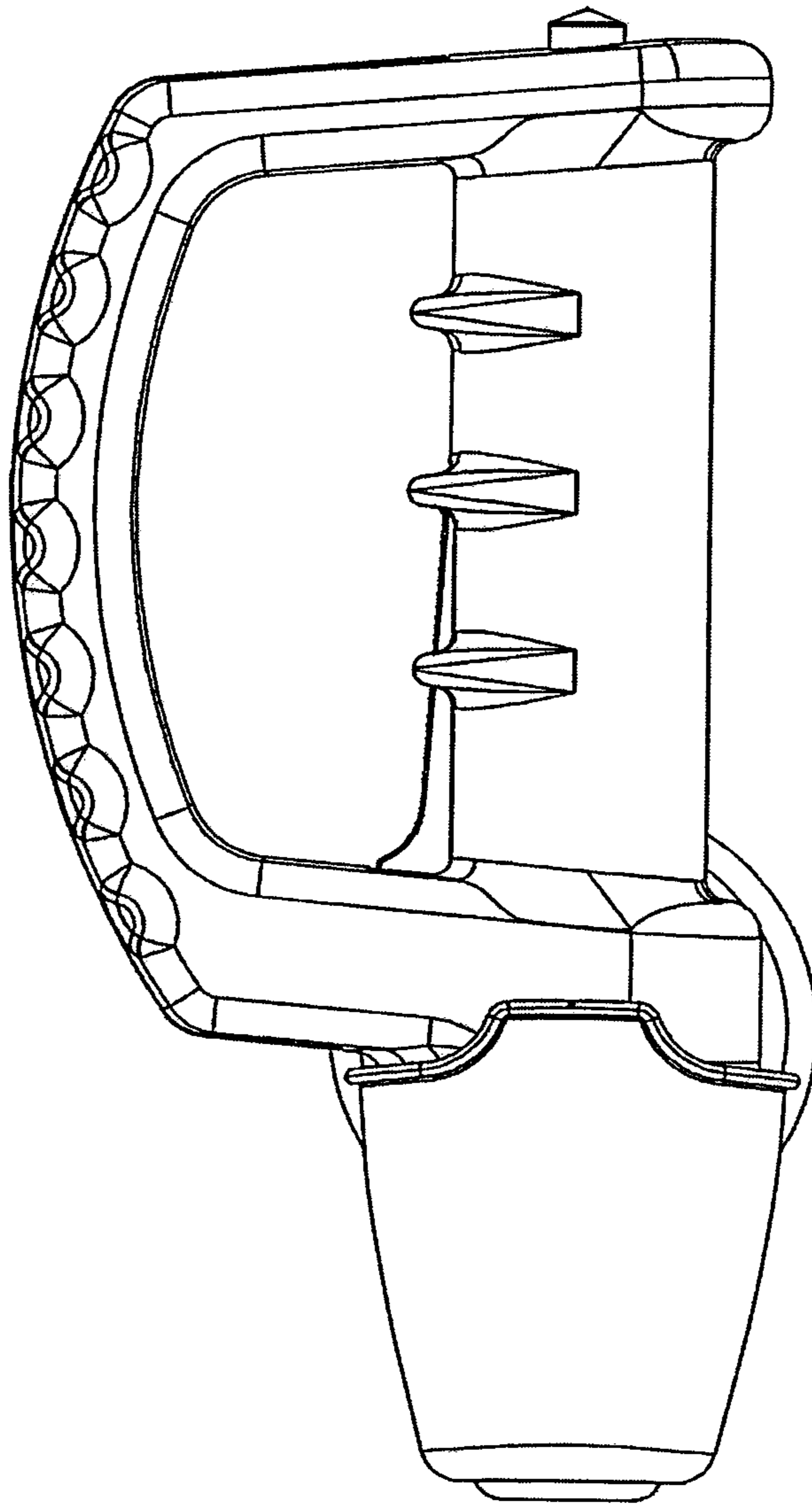


FIG. 5



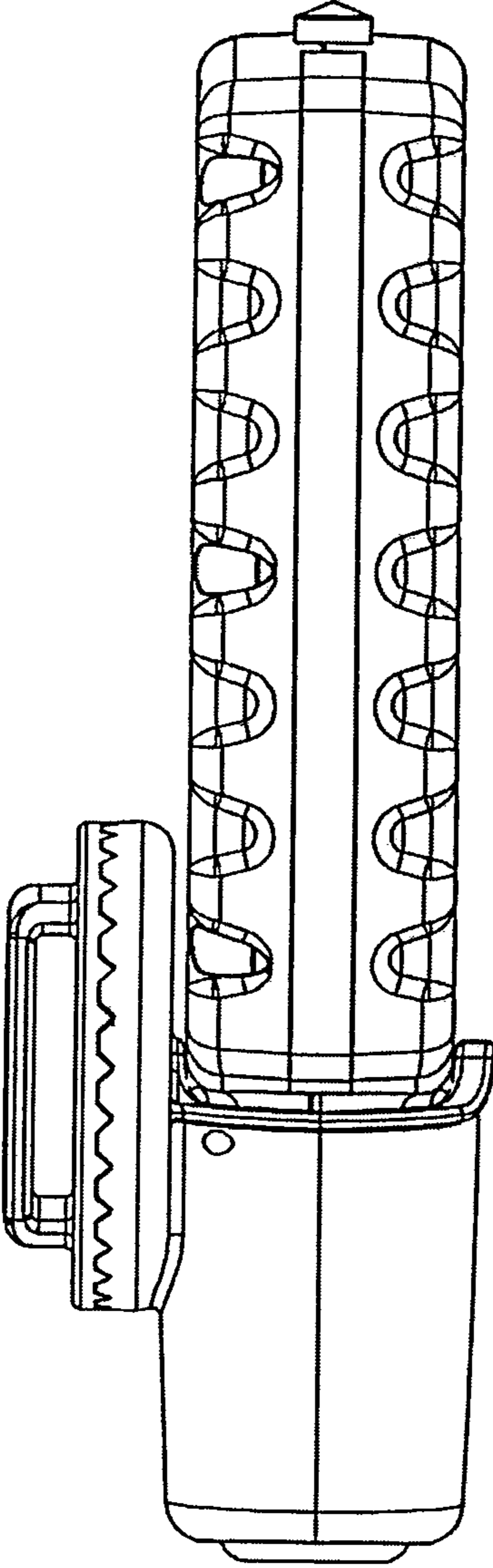


FIG. 6

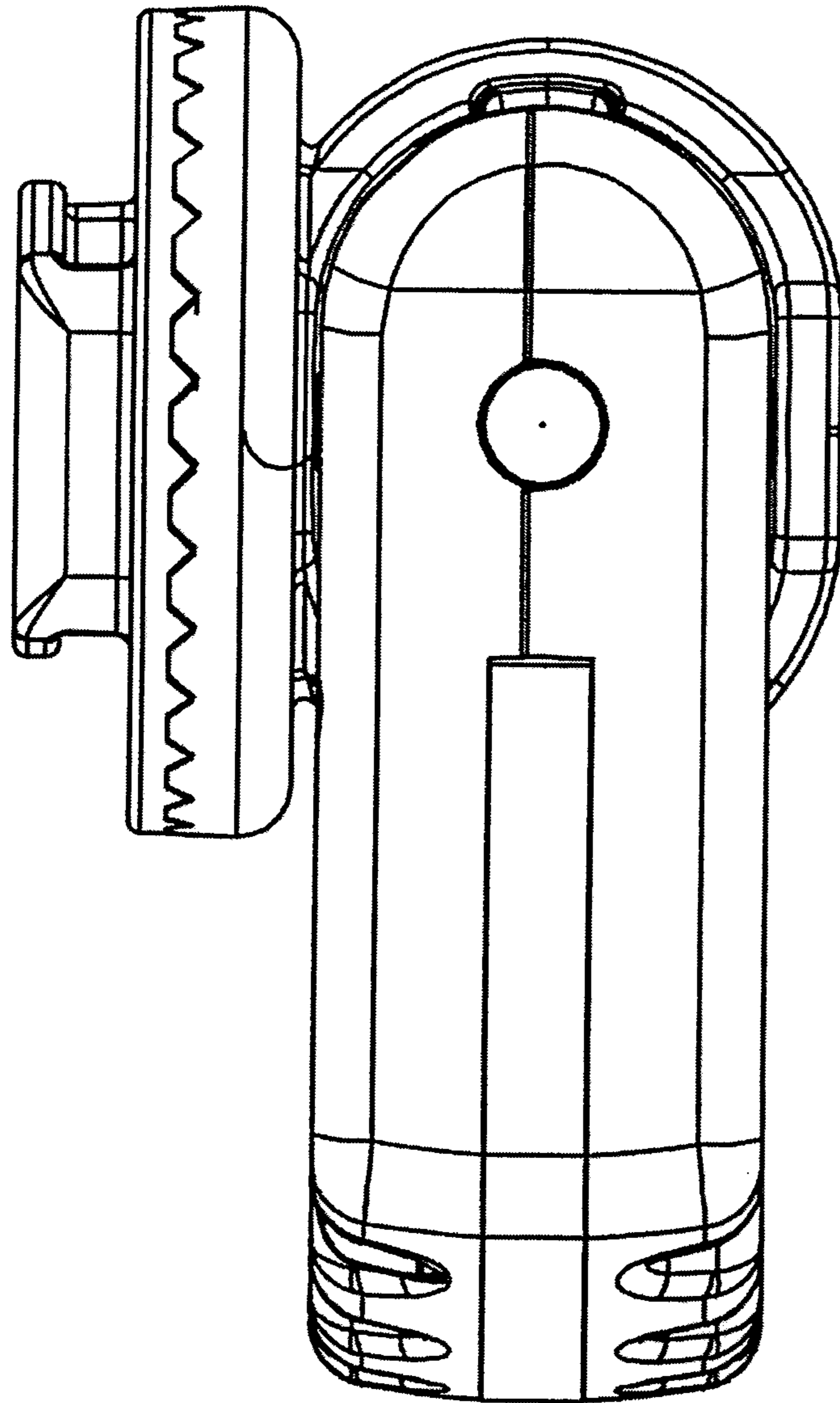


FIG. 7