



US00D689164S

(12) **United States Design Patent**
Burress

(10) **Patent No.:** **US D689,164 S**

(45) **Date of Patent:** **** Sep. 3, 2013**

(54) **SHOOTING TARGET**

(76) Inventor: **Chris Burress**, Simpsonville, SC (US)

(**) Term: **14 Years**

(21) Appl. No.: **29/418,392**

(22) Filed: **Apr. 16, 2012**

(51) **LOC (9) Cl.** **22-04**

(52) **U.S. Cl.**
USPC **D22/113**

(58) **Field of Classification Search**
USPC D22/113, 199; 211/97, 118, 189-193;
D20/10-19, 39, 41, 99; D21/302, 790;
273/127 R, 407, 348, 331; 52/264, 270-272,
52/292, 293.3
See application file for complete search history.

(56) **References Cited**

U.S. PATENT DOCUMENTS

2,141,958 A * 12/1938 Ruberti 273/127 R
D425,135 S * 5/2000 Quiring D21/302
6,478,301 B1 * 11/2002 Witmeyer 273/391
7,114,725 B2 * 10/2006 Camp et al. 273/390
8,091,894 B2 * 1/2012 Kreiman et al. 273/390

8,172,231 B2 * 5/2012 Massier 273/406
2009/0174147 A1 * 7/2009 Saunders 273/392
2012/0256372 A1 * 10/2012 Rogers 273/127 R

* cited by examiner

Primary Examiner — Michael A Pratt

(74) *Attorney, Agent, or Firm* — Dority & Manning, PA

(57) **CLAIM**

The ornamental design for a shooting target, as shown and described.

DESCRIPTION

FIG. 1 is a perspective view of the shooting target according to the present invention;

FIG. 2 is a front plan view of the shooting target illustrated in FIG. 1, the rear plan view being the same;

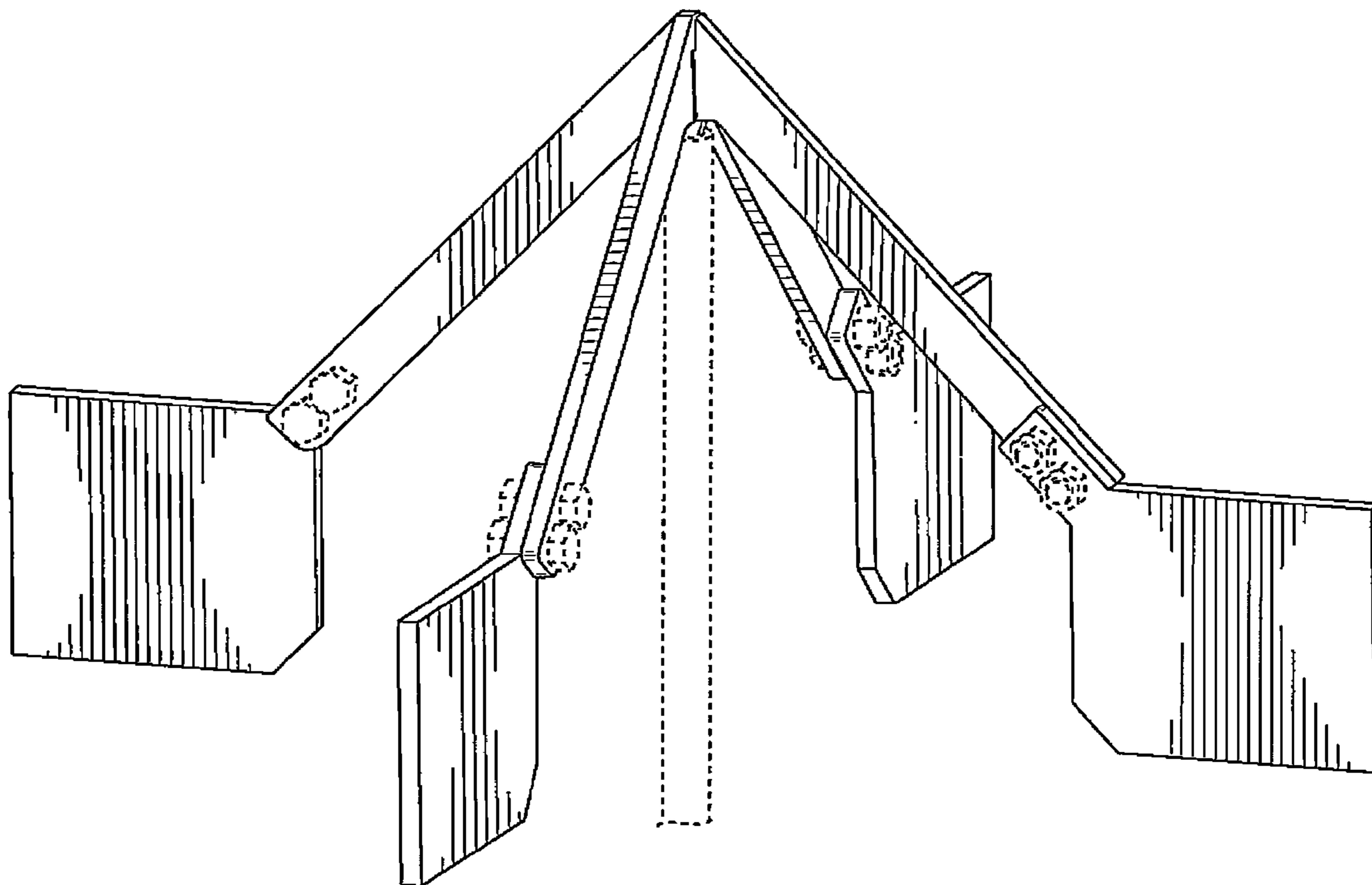
FIG. 3 is a side plan view of the shooting target illustrated in FIG. 1;

FIG. 4 is a top plan view of the shooting target illustrated in FIG. 1; and,

FIG. 5 is a bottom plan view of the shooting target illustrated in FIG. 1.

The broken line showing of portions of the shooting target is included for the purpose of illustrating environment and forms no part of the claimed design.

1 Claim, 5 Drawing Sheets



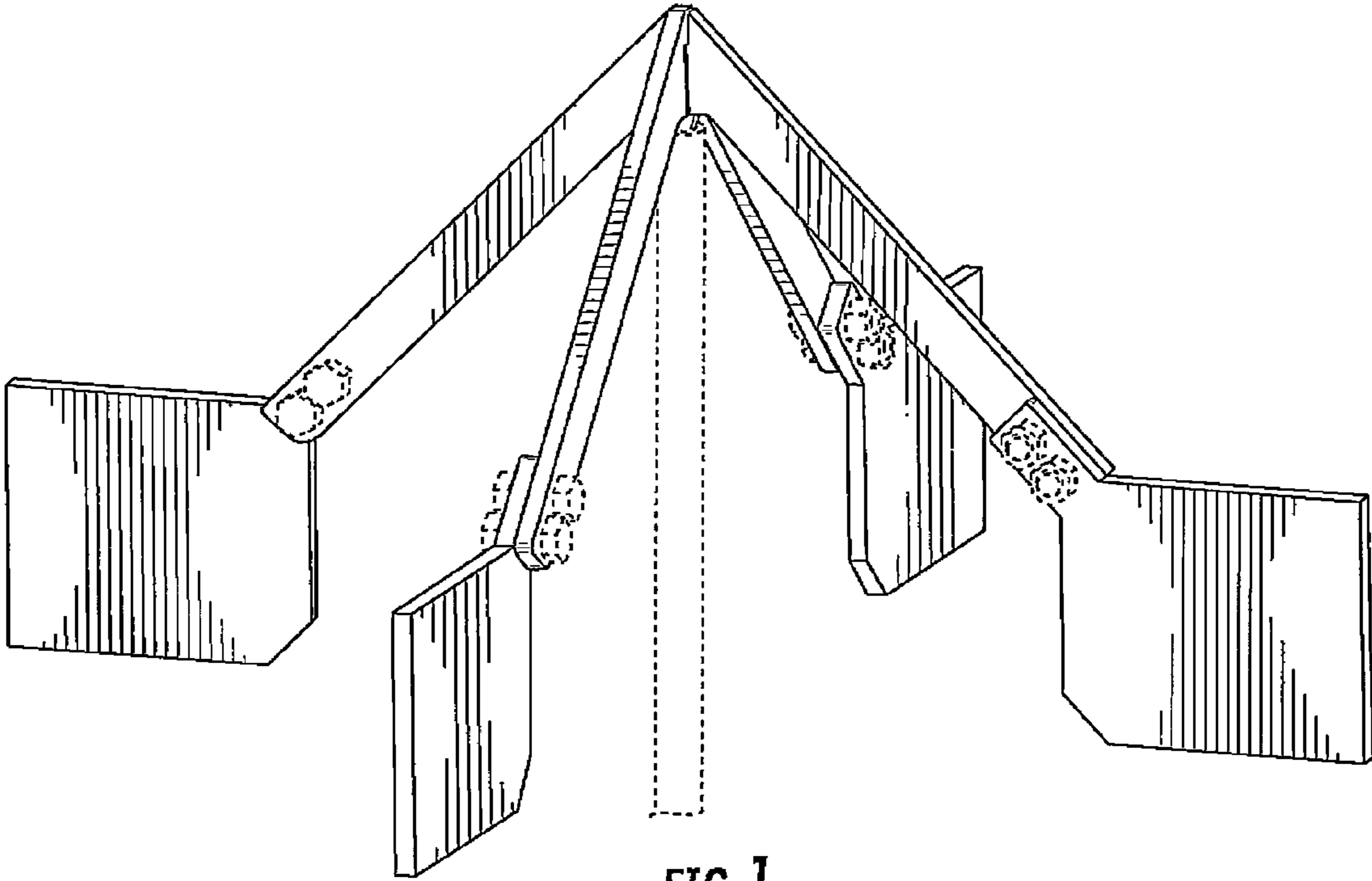


FIG. 1

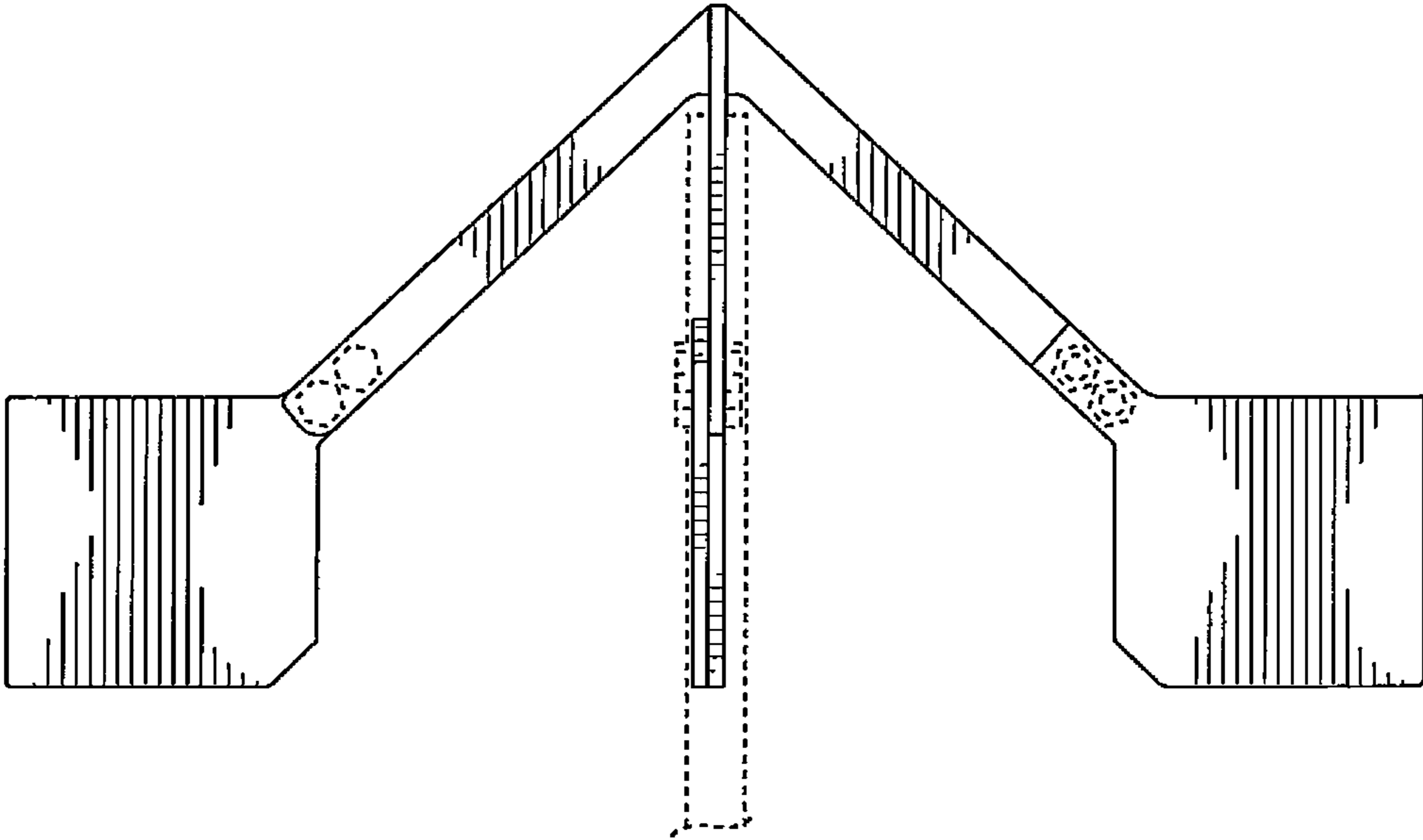


FIG. 2

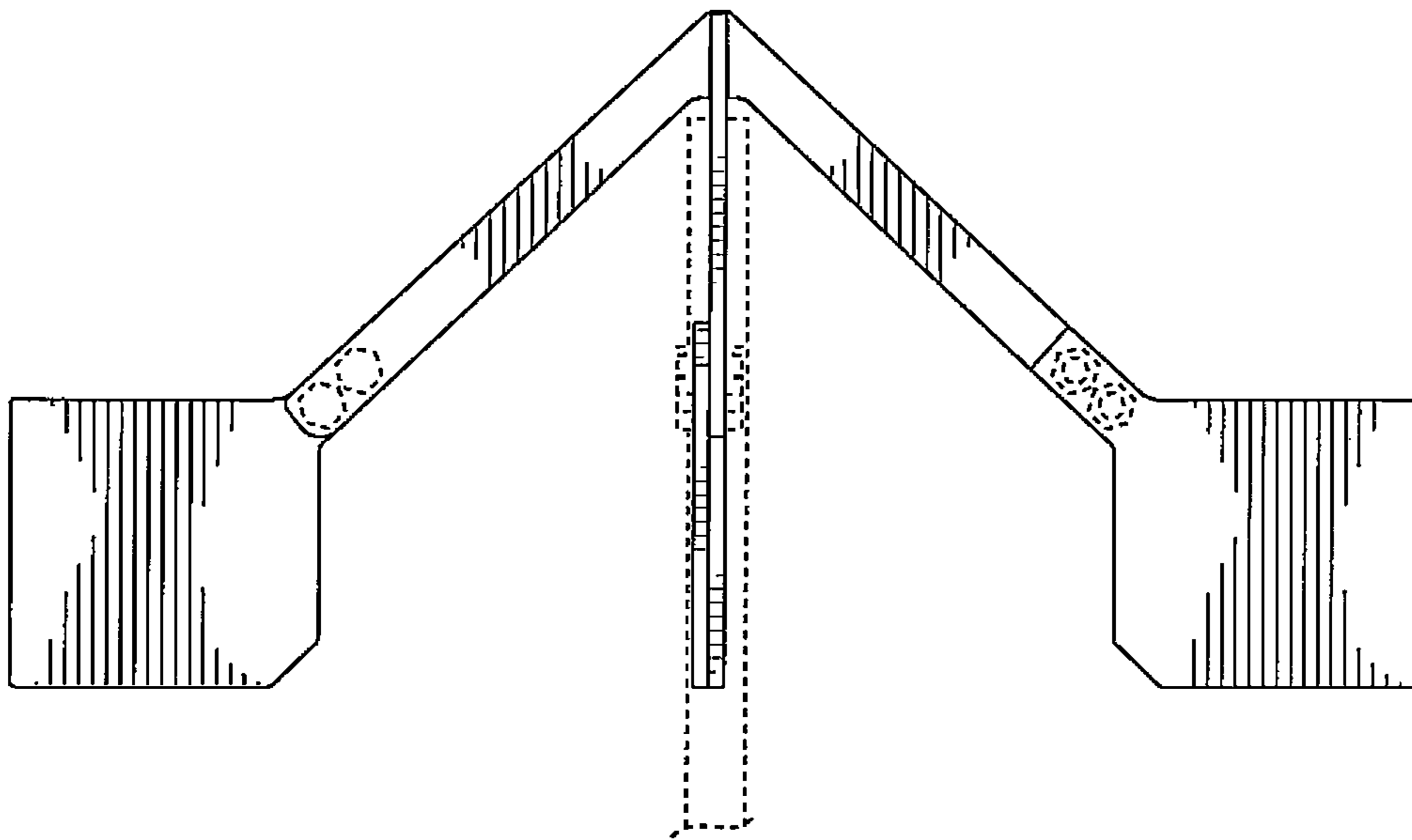


FIG. 3

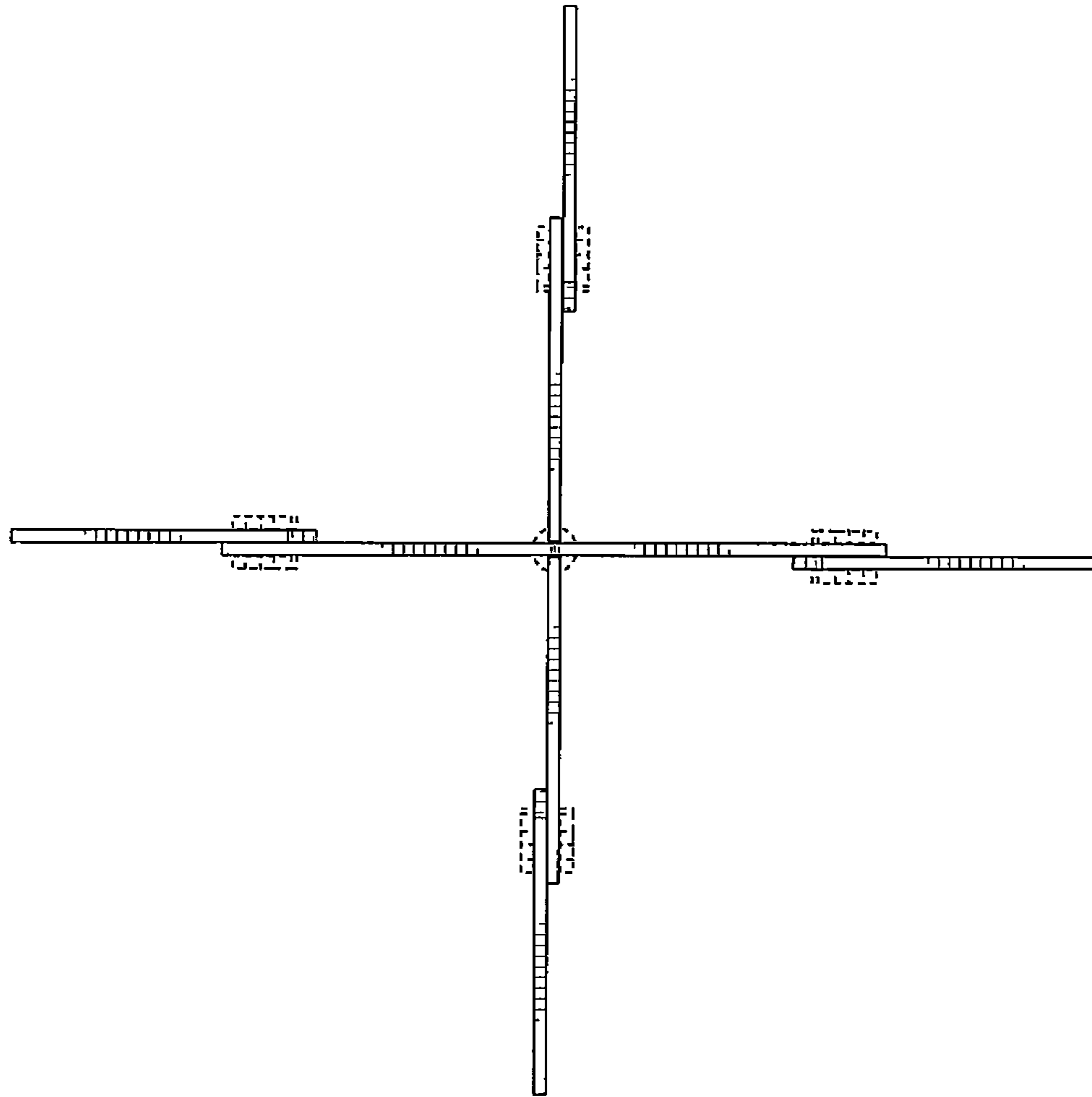


FIG. 4

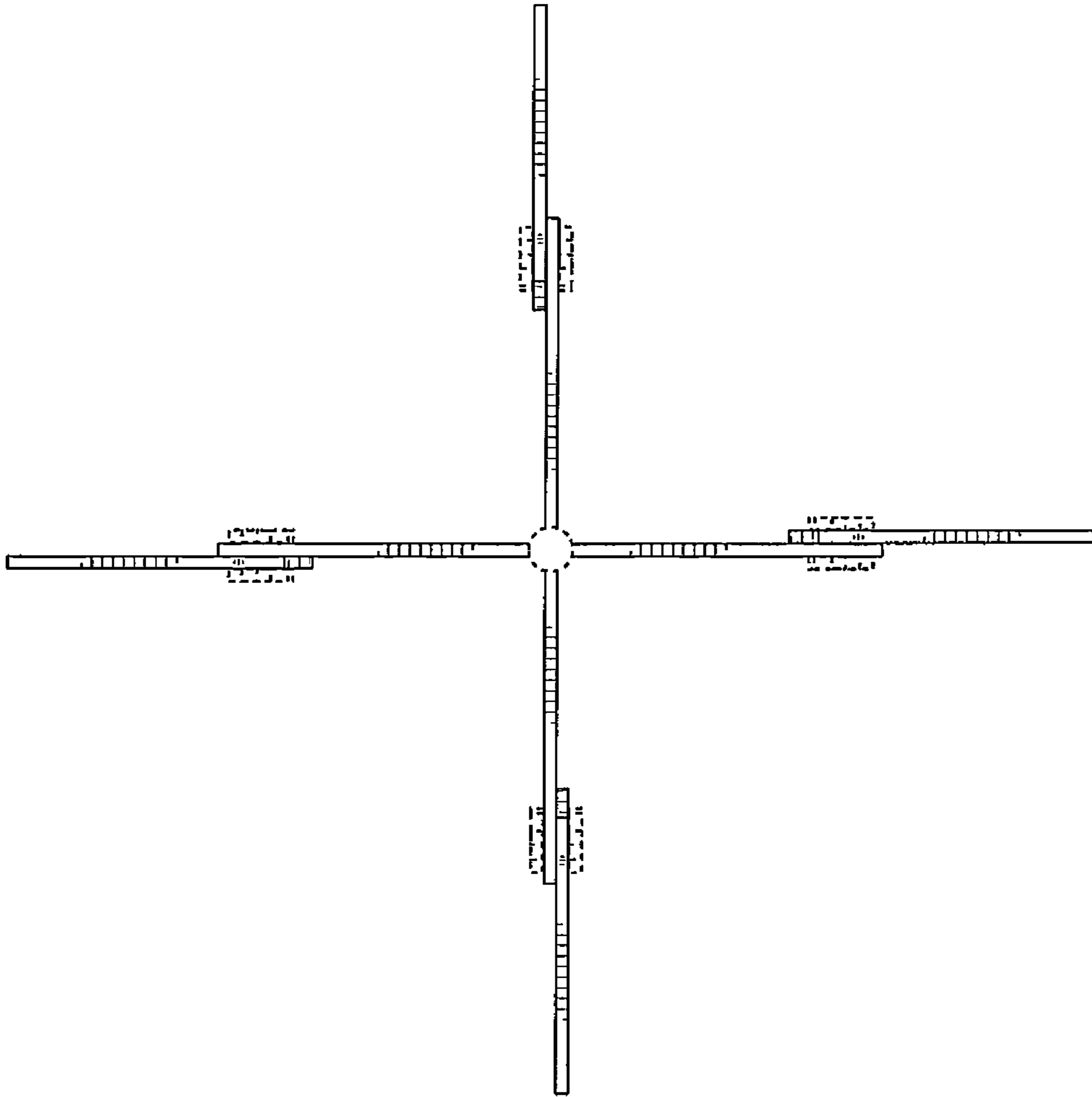


FIG. 5