



US00D689163S

(12) **United States Design Patent**
Radau et al.

(10) **Patent No.:** **US D689,163 S**

(45) **Date of Patent:** **** Sep. 3, 2013**

(54) **RIFLE SCOPE**

(75) Inventors: **Nils Radau**, Salzburg (AT); **Fabian Vogl**, Salzburg (AT)

(73) Assignee: **Carl Zeiss Sports Optics GmbH**, Wetzlar (DE)

(**) Term: **14 Years**

(21) Appl. No.: **29/419,372**

(22) Filed: **Apr. 27, 2012**

(51) **LOC (9) Cl.** **22-01**

(52) **U.S. Cl.**
USPC **D22/109**

(58) **Field of Classification Search**
USPC D22/109-110; 42/111, 133, 119,
42/122; D16/132, 130, 133, 330, 134;
359/399, 823, 744
See application file for complete search history.

(56) **References Cited**

U.S. PATENT DOCUMENTS

2,135,774	A *	11/1938	Tilden	42/126
3,172,941	A *	3/1965	Norman	359/399
4,249,315	A *	2/1981	Hopson, III	42/125
4,309,095	A *	1/1982	Buckley	396/420
4,321,765	A *	3/1982	Gillum	42/72
4,367,606	A *	1/1983	Bechtel	42/127
5,035,487	A *	7/1991	Herz	359/896
5,428,915	A *	7/1995	King	42/126
5,433,010	A *	7/1995	Bell	42/126
5,491,546	A *	2/1996	Wascher et al.	356/4.03
5,671,088	A *	9/1997	Mai et al.	359/424
6,363,223	B1 *	3/2002	Gordon	396/263
6,691,447	B1 *	2/2004	Otteman	42/122
6,721,095	B2 *	4/2004	Huber	359/427
7,530,193	B2 *	5/2009	Williamson et al.	42/145
7,990,523	B2 *	8/2011	Schlierbach et al.	356/5.01

8,079,171	B2 *	12/2011	Barrett	42/125
D667,521	S *	9/2012	Hoshi	D22/109
8,336,776	B2 *	12/2012	Horvath et al.	235/407
D674,863	S *	1/2013	Burzel et al.	D22/109
2001/0045046	A1 *	11/2001	Otteman	42/136
2011/0242650	A1 *	10/2011	Windauer	359/428
2011/0271577	A1 *	11/2011	Davidson	42/122
2012/0145785	A1 *	6/2012	Scrogin et al.	235/404

* cited by examiner

Primary Examiner — Michael A Pratt

(74) *Attorney, Agent, or Firm* — Walter Ottesen P.A.

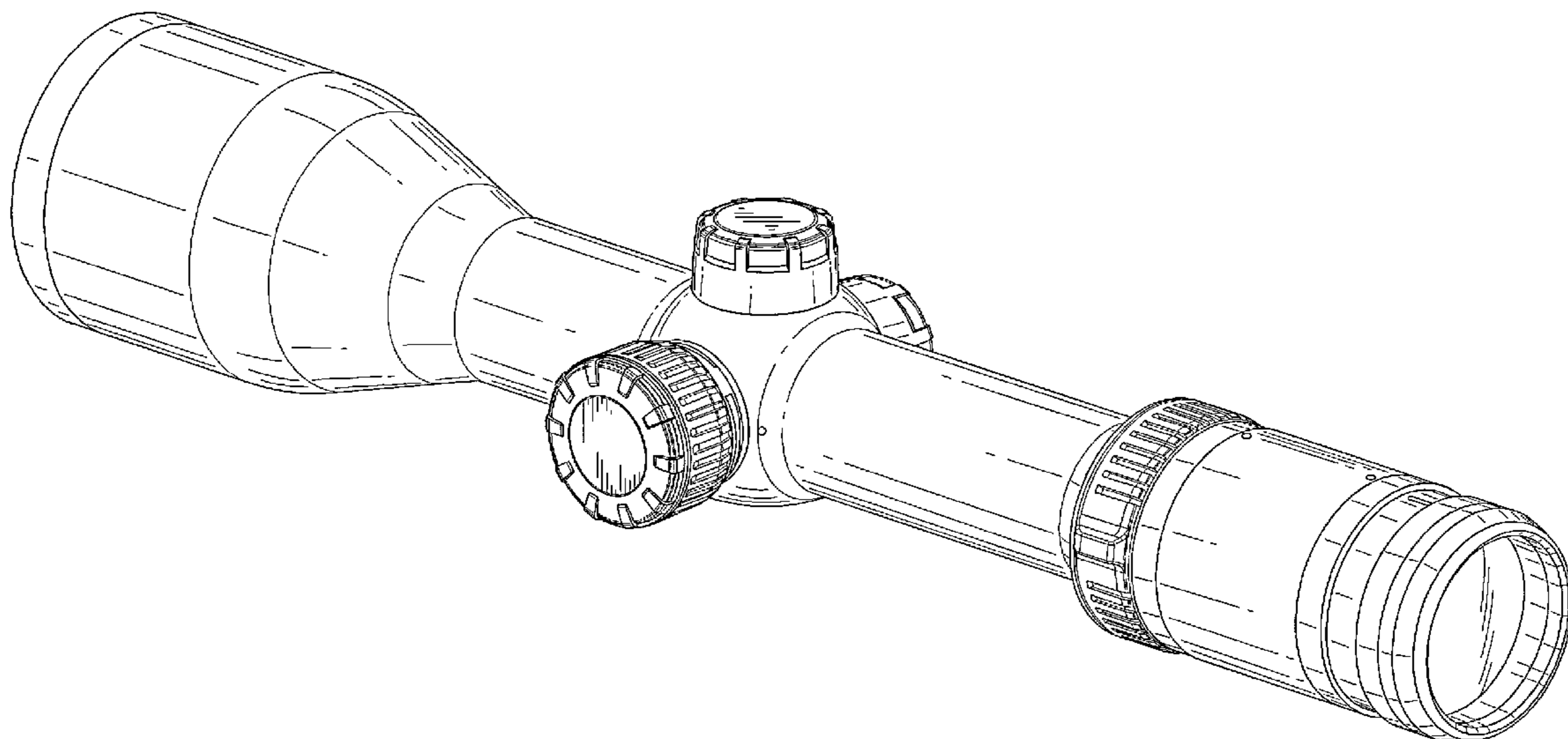
(57) **CLAIM**

The ornamental design for a rifle scope, as shown and described.

DESCRIPTION

FIG. 1 is a perspective view of a first embodiment of the rifle scope of our new design;
 FIG. 2 is a left side elevation view of the rifle scope of FIG. 1;
 FIG. 3 is a top plan view of the rifle scope of FIG. 1;
 FIG. 4 is a right side elevation view of the rifle scope of FIG. 1;
 FIG. 5 is a bottom plan view of the rifle scope of FIG. 1;
 FIG. 6 is a rear elevation view of the rifle scope of FIG. 1;
 FIG. 7 is a front elevation view of the rifle scope of FIG. 1;
 FIG. 8 is a perspective view of a second embodiment of the rifle scope of our new design;
 FIG. 9 is a left side elevation view of the rifle scope of FIG. 8;
 FIG. 10 is a top plan view of the rifle scope of FIG. 8;
 FIG. 11 is a right side elevation view of the rifle scope of FIG. 8;
 FIG. 12 is a bottom plan view of the rifle scope of FIG. 8;
 FIG. 13 is a rear elevation view of the rifle scope of FIG. 8;
 and,
 FIG. 14 is a front elevation view of the rifle scope of FIG. 8.

1 Claim, 8 Drawing Sheets



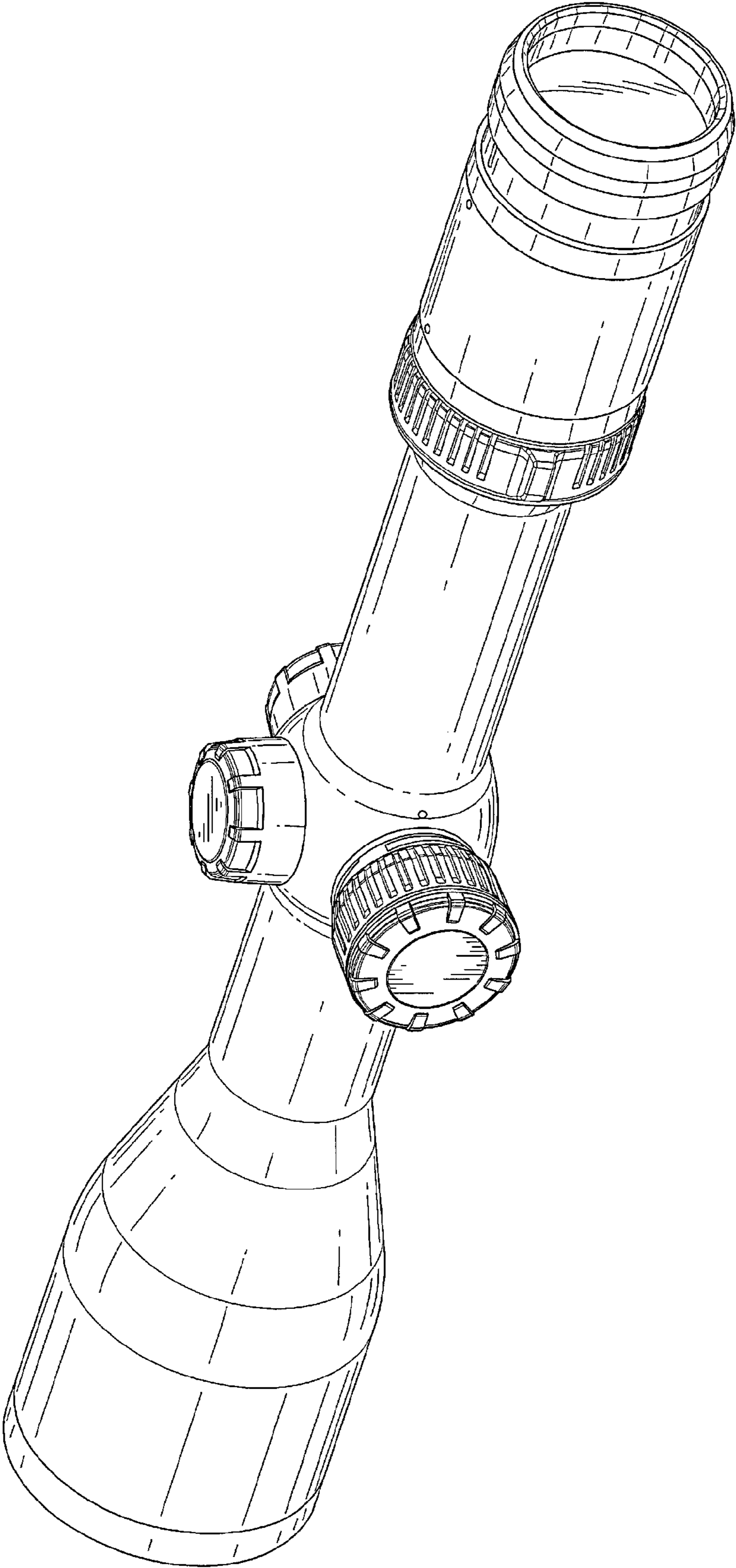


FIG. 1

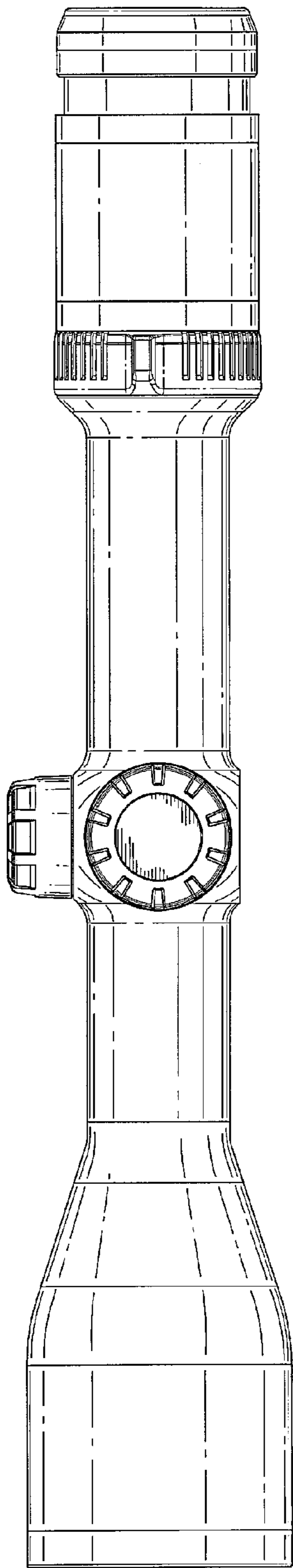


FIG. 2

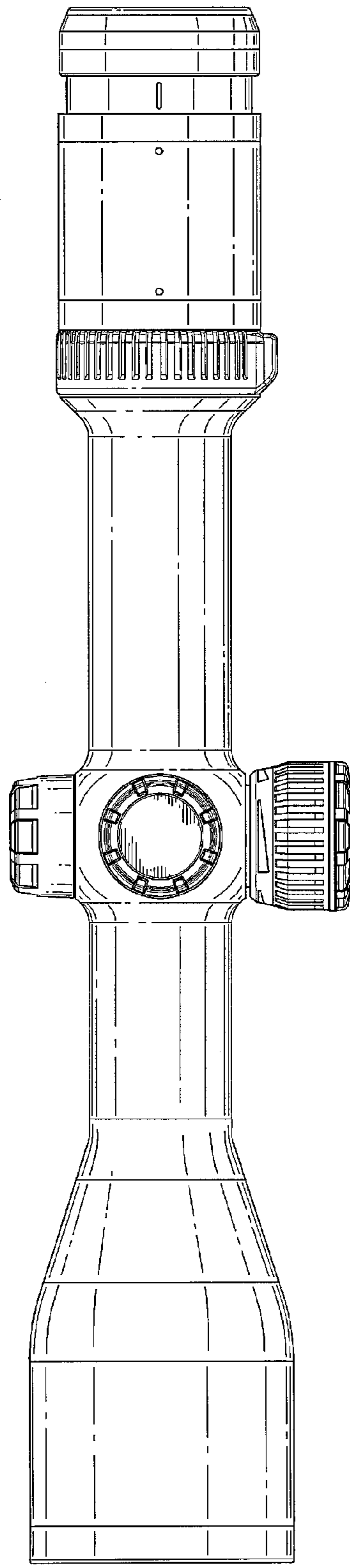


FIG. 3

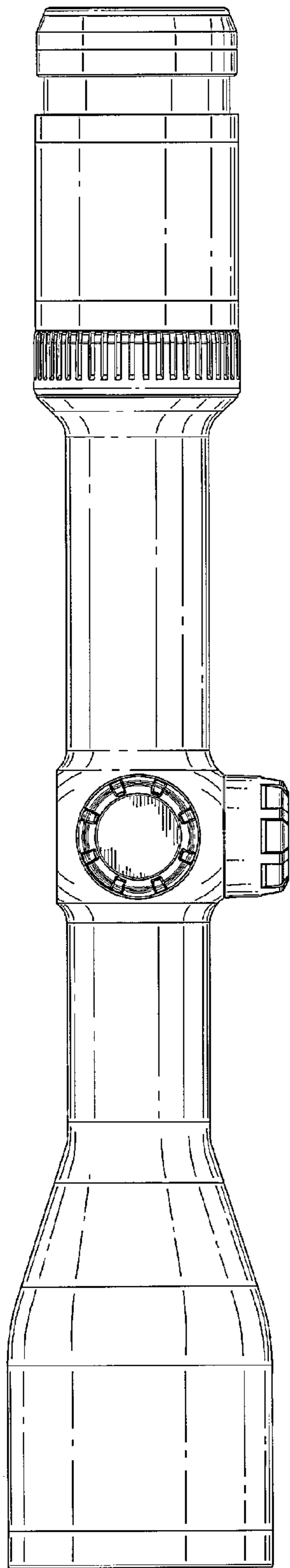


FIG. 4

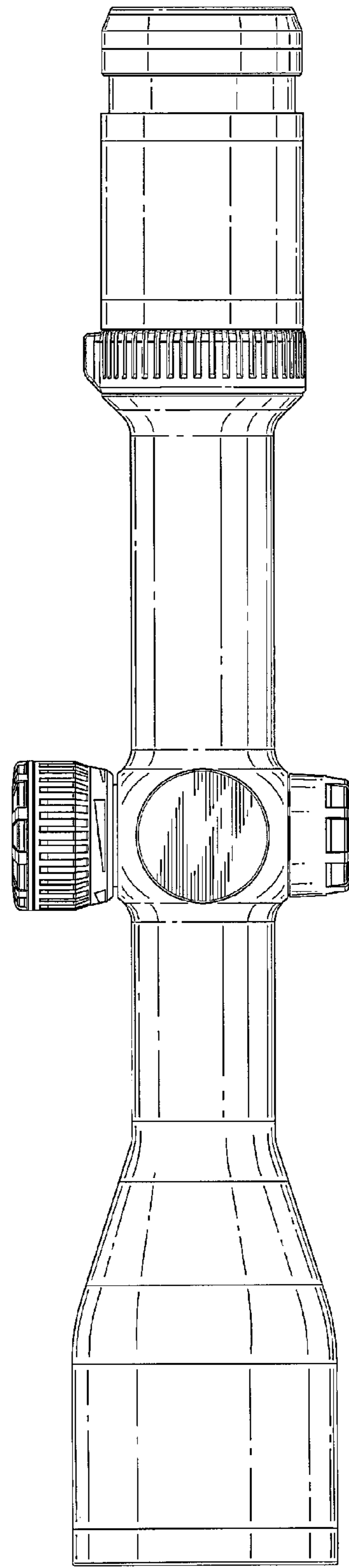


FIG. 5

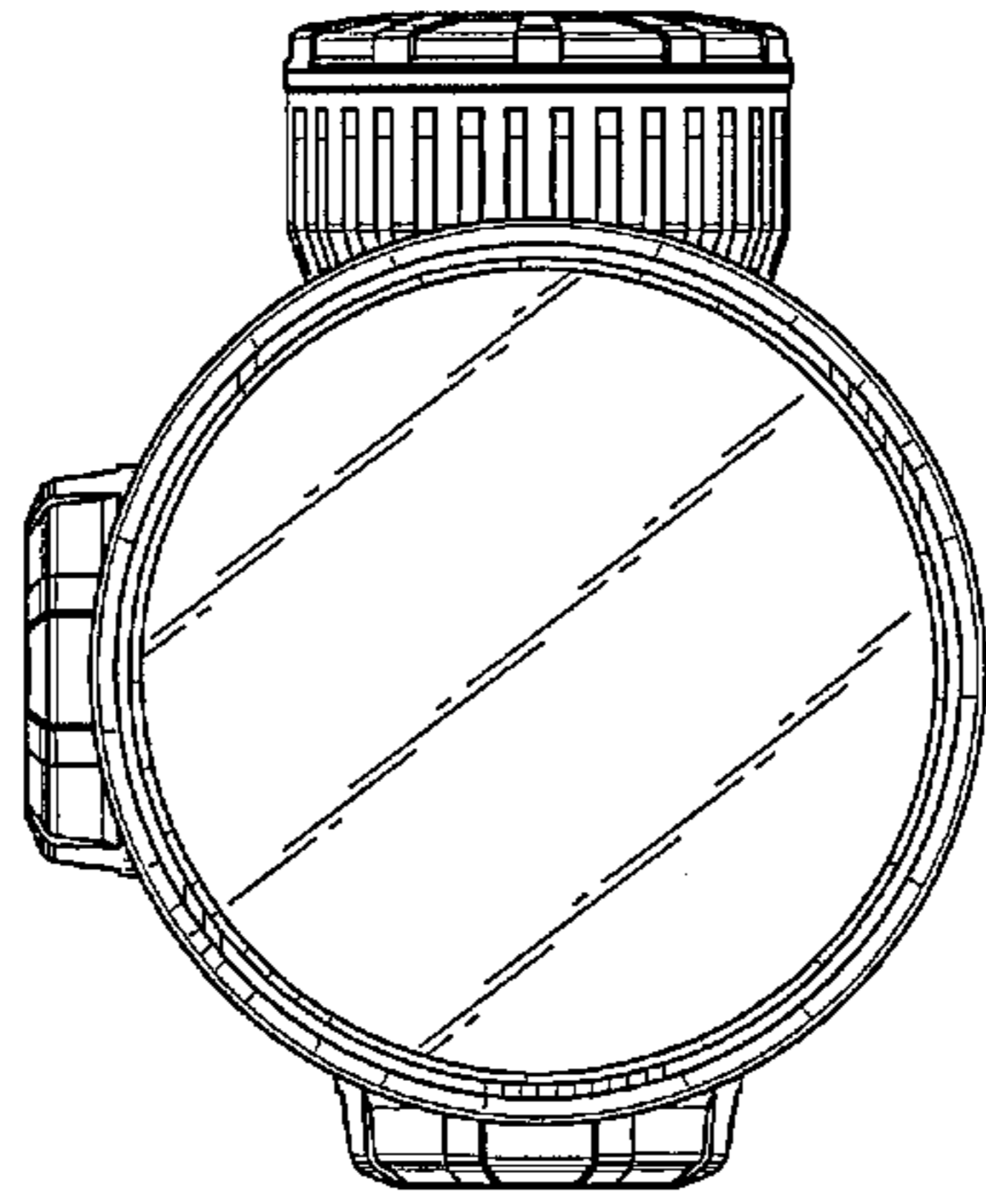


FIG. 7

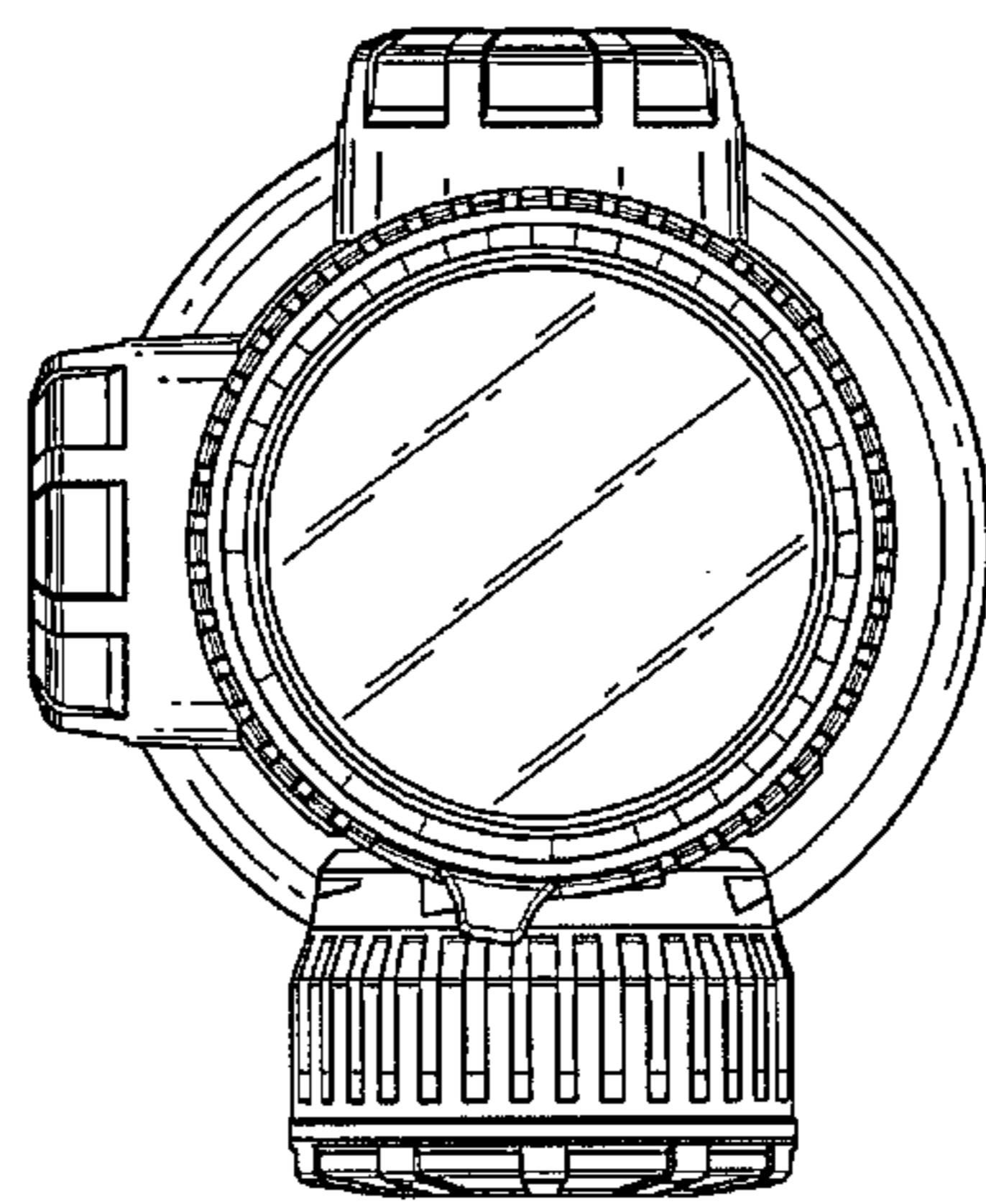


FIG. 6

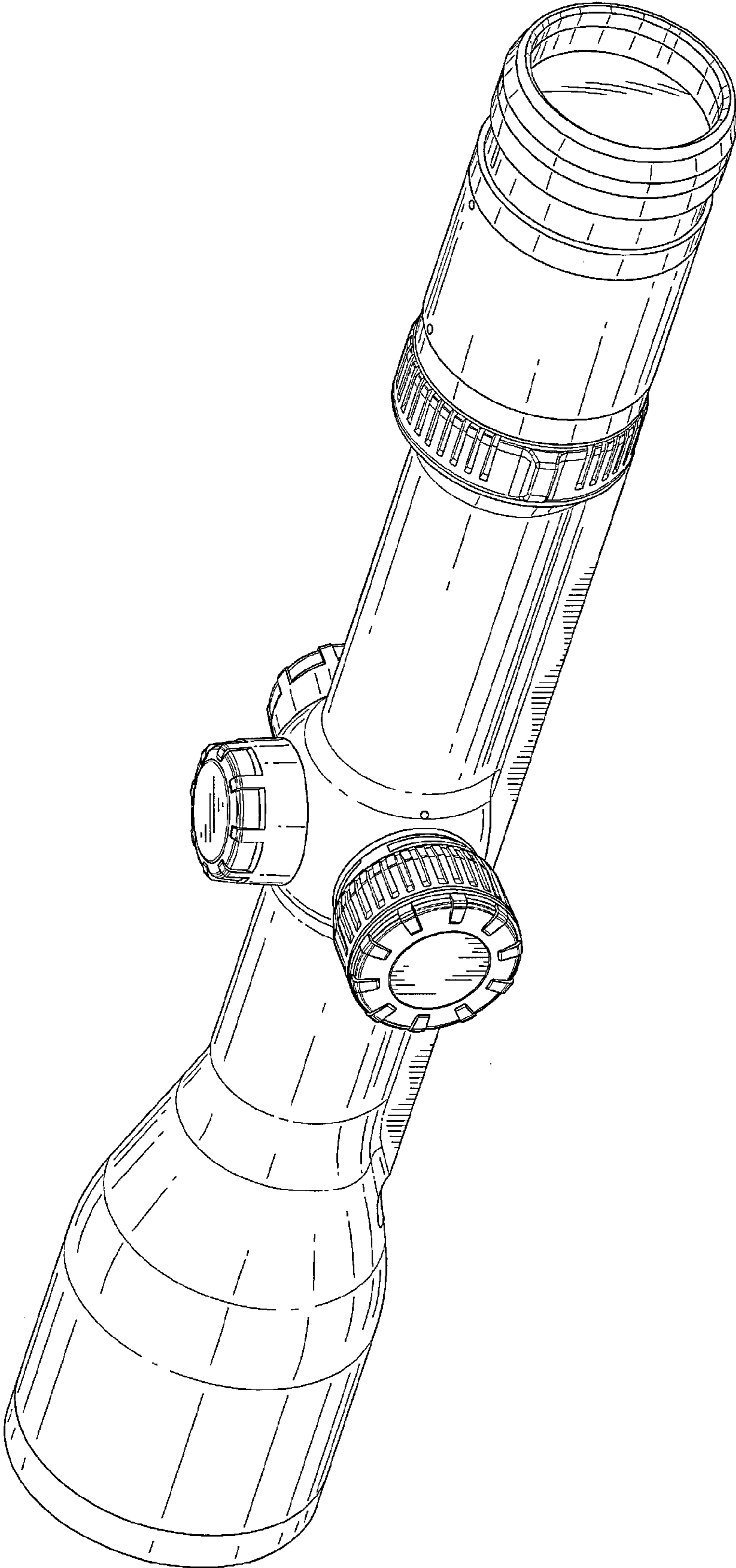


FIG. 8

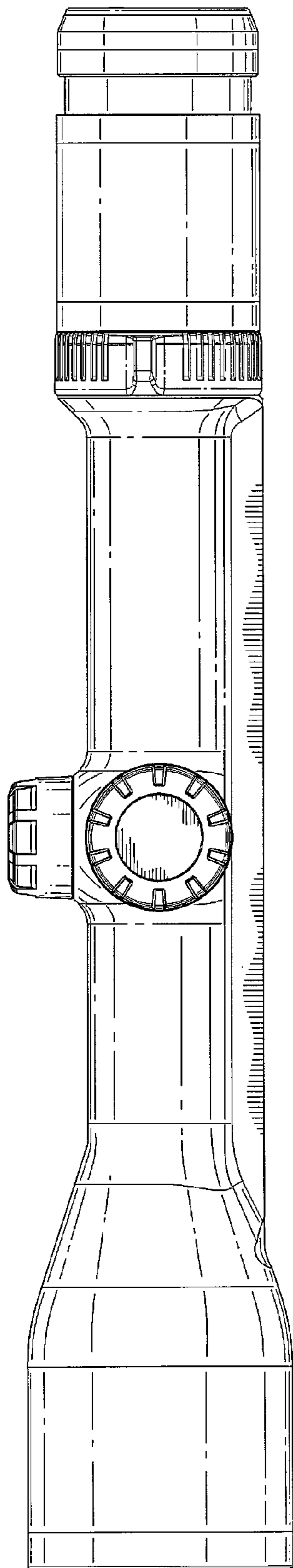


FIG. 9

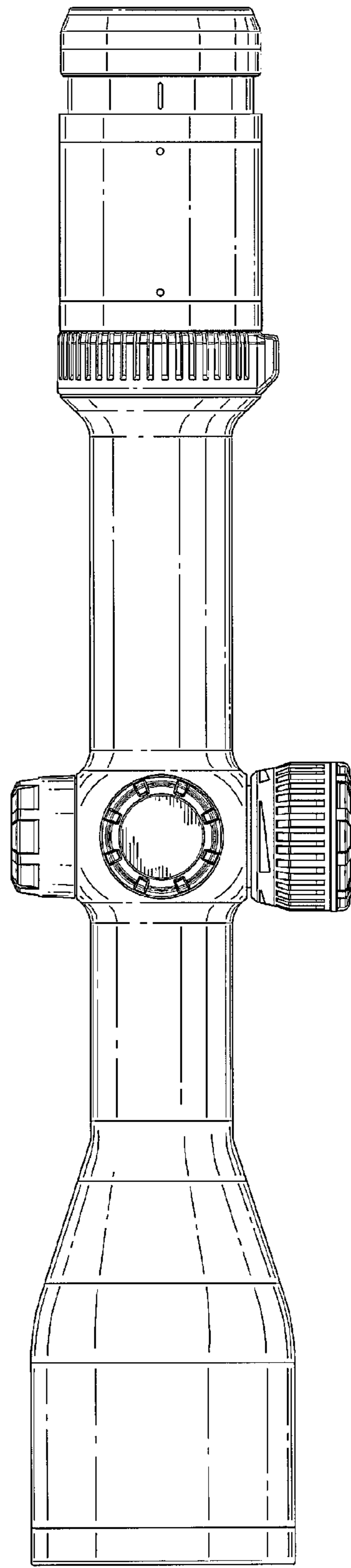


FIG. 10

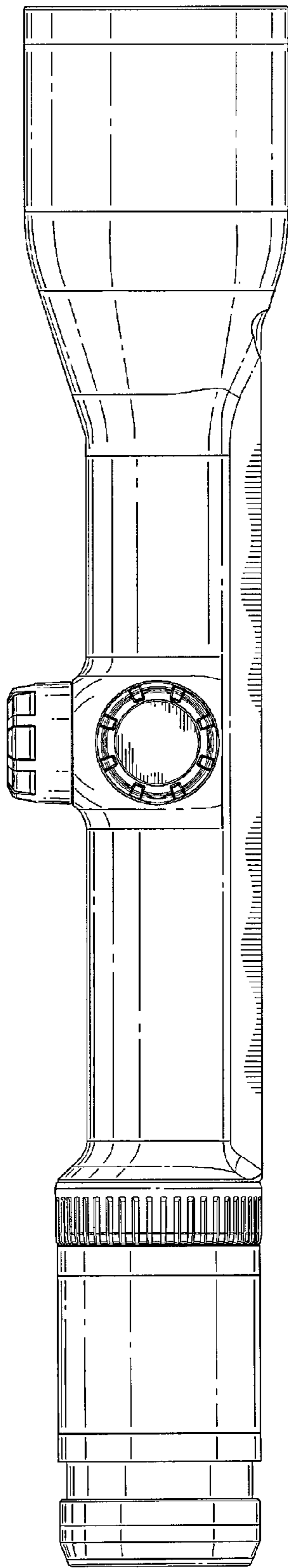


FIG. 11

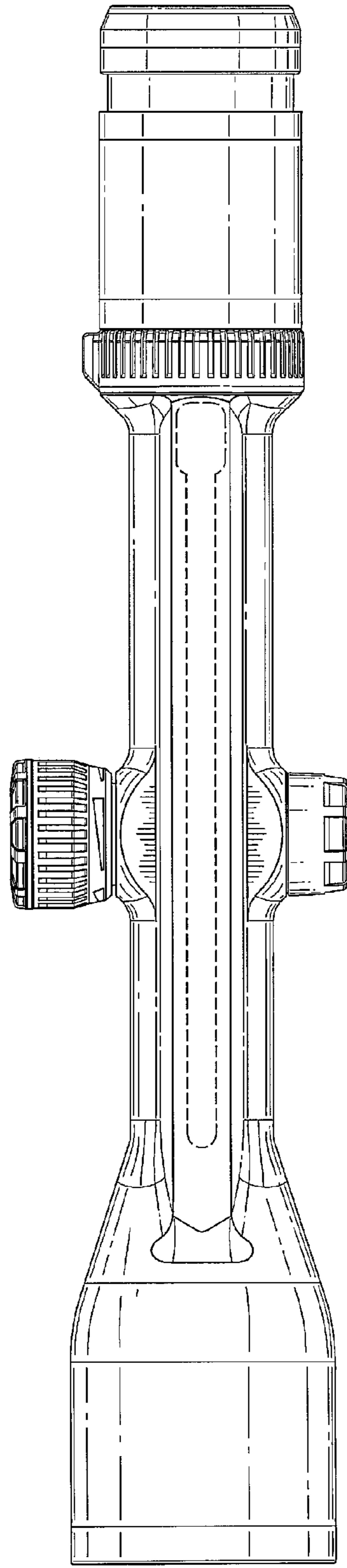


FIG. 12

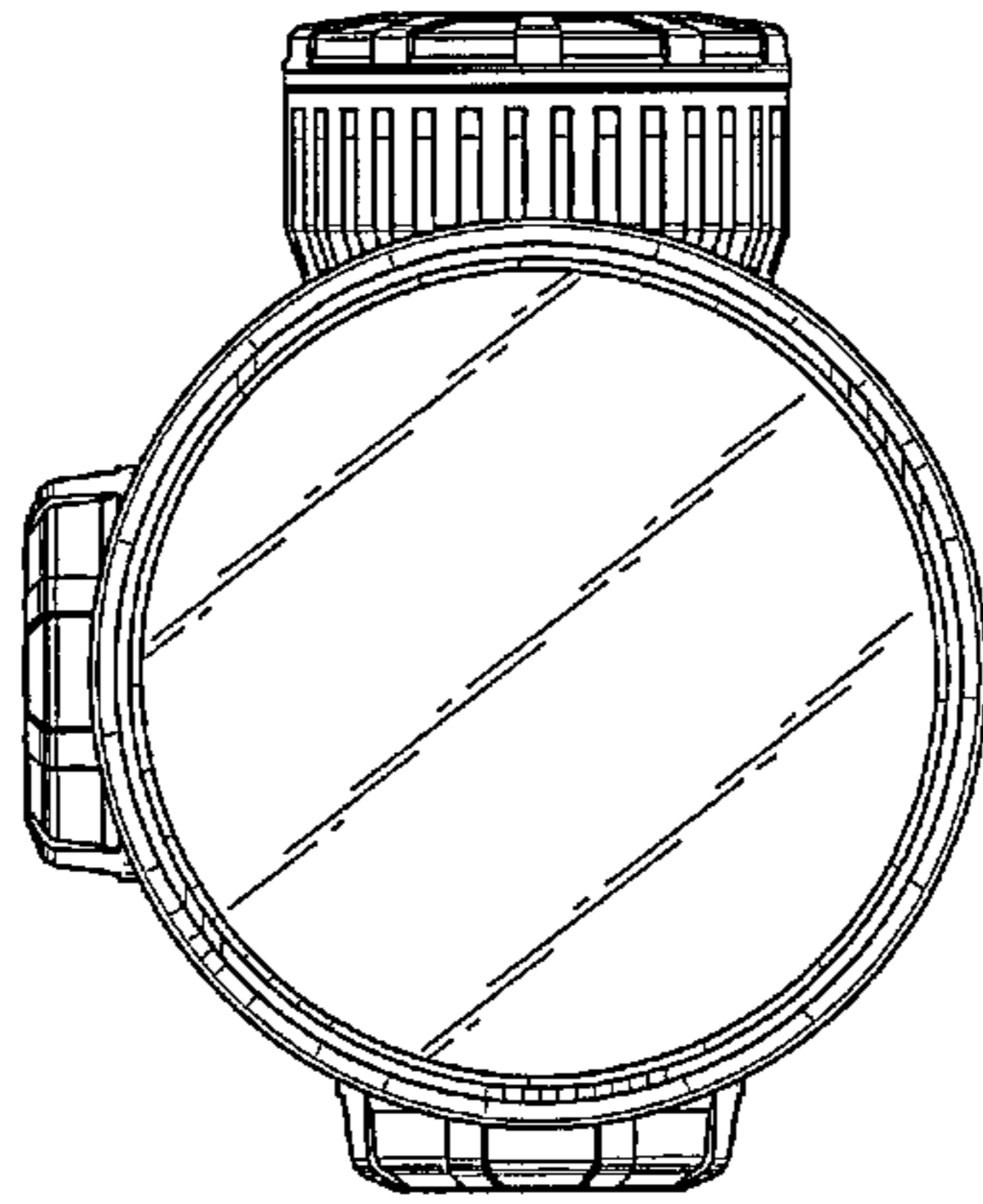


FIG. 14

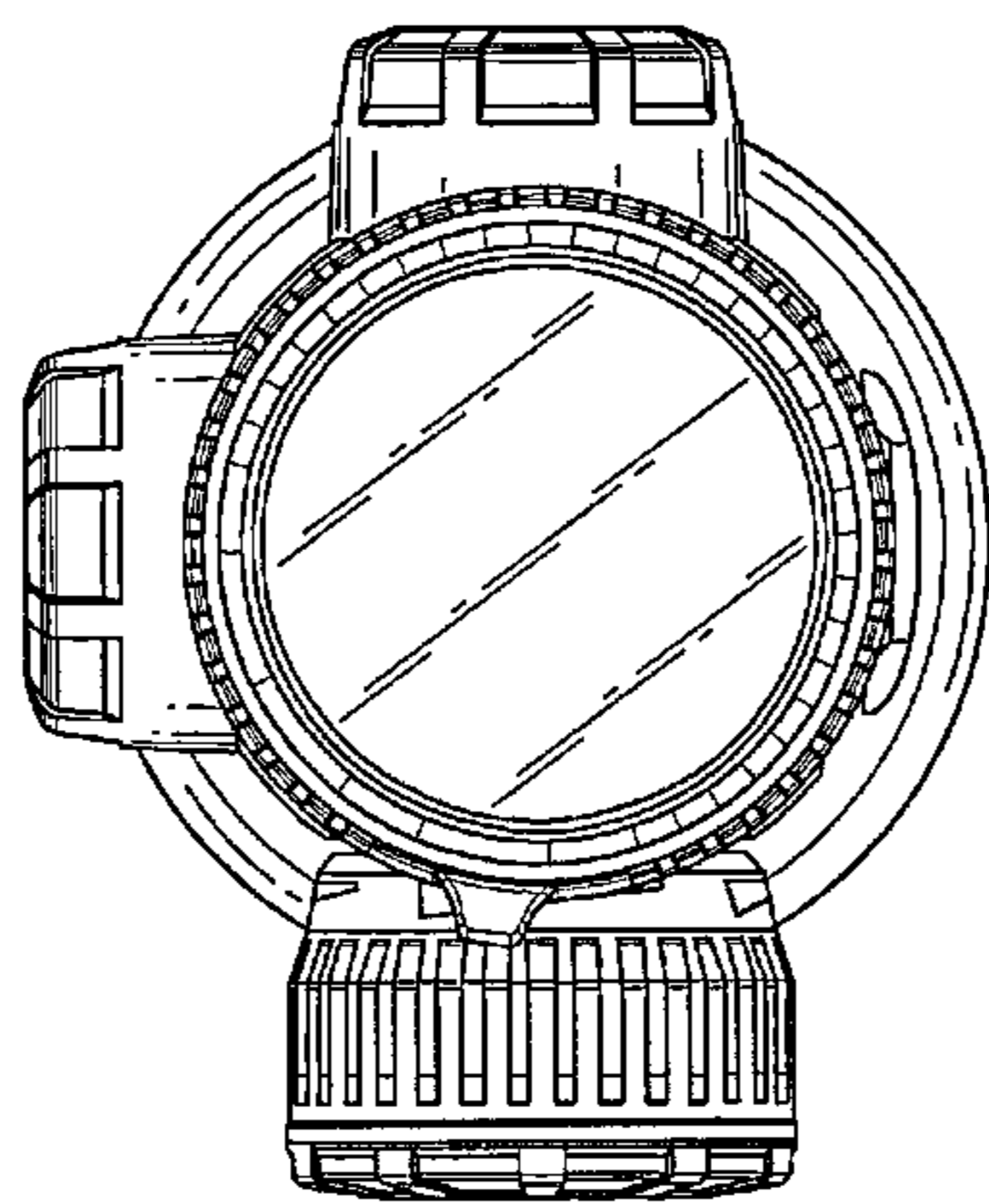


FIG. 13