



US00D689162S

(12) **United States Design Patent**  
**Hilbourne et al.**

(10) **Patent No.:** **US D689,162 S**  
(45) **Date of Patent:** **\*\* Sep. 3, 2013**

(54) **DUAL LASER DEVICE**

(75) Inventors: **Zackary Hilbourne**, Wilsonville, OR  
(US); **Jason Hilbourne**, Wilsonville, OR  
(US); **Daniel Hughes**, Wilsonville, OR  
(US); **Danny Anderson**, Wilsonville, OR  
(US)

(73) Assignee: **Crimson Trace, Inc.**, Wilsonville, OR  
(US)

(\*\*) Term: **14 Years**

(21) Appl. No.: **29/413,843**

(22) Filed: **Feb. 21, 2012**

(51) **LOC (9) Cl.** ..... **22-01**

(52) **U.S. Cl.**  
USPC ..... **D22/109**

(58) **Field of Classification Search**  
USPC ..... D22/108-109; 42/111-128; 89/1.61,  
89/200-204; 356/247-256  
See application file for complete search history.

(56) **References Cited**

**U.S. PATENT DOCUMENTS**

5,435,091	A	7/1995	Toole et al.	
5,706,600	A	1/1998	Toole et al.	
7,260,910	B2	8/2007	Danielson	
7,472,830	B2	1/2009	Danielson	
D594,925	S *	6/2009	Moody et al.	D22/109
D603,478	S	11/2009	Hughes	
D616,957	S	6/2010	Rievley et al.	

7,743,547	B2	6/2010	Houde-Walter	
7,805,876	B1	10/2010	Danielson et al.	
D636,049	S	4/2011	Hughes et al.	
D636,837	S	4/2011	Hughes et al.	
8,028,461	B2	10/2011	NuDyke	
D669,552	S *	10/2012	Essig et al.	D22/108
D669,957	S *	10/2012	Hughes et al.	D22/108
2011/0047850	A1	3/2011	Rievley et al.	

\* cited by examiner

*Primary Examiner* — Michael A Pratt

(74) *Attorney, Agent, or Firm* — Schwabe, Williamson & Wyatt, P.C.

(57) **CLAIM**

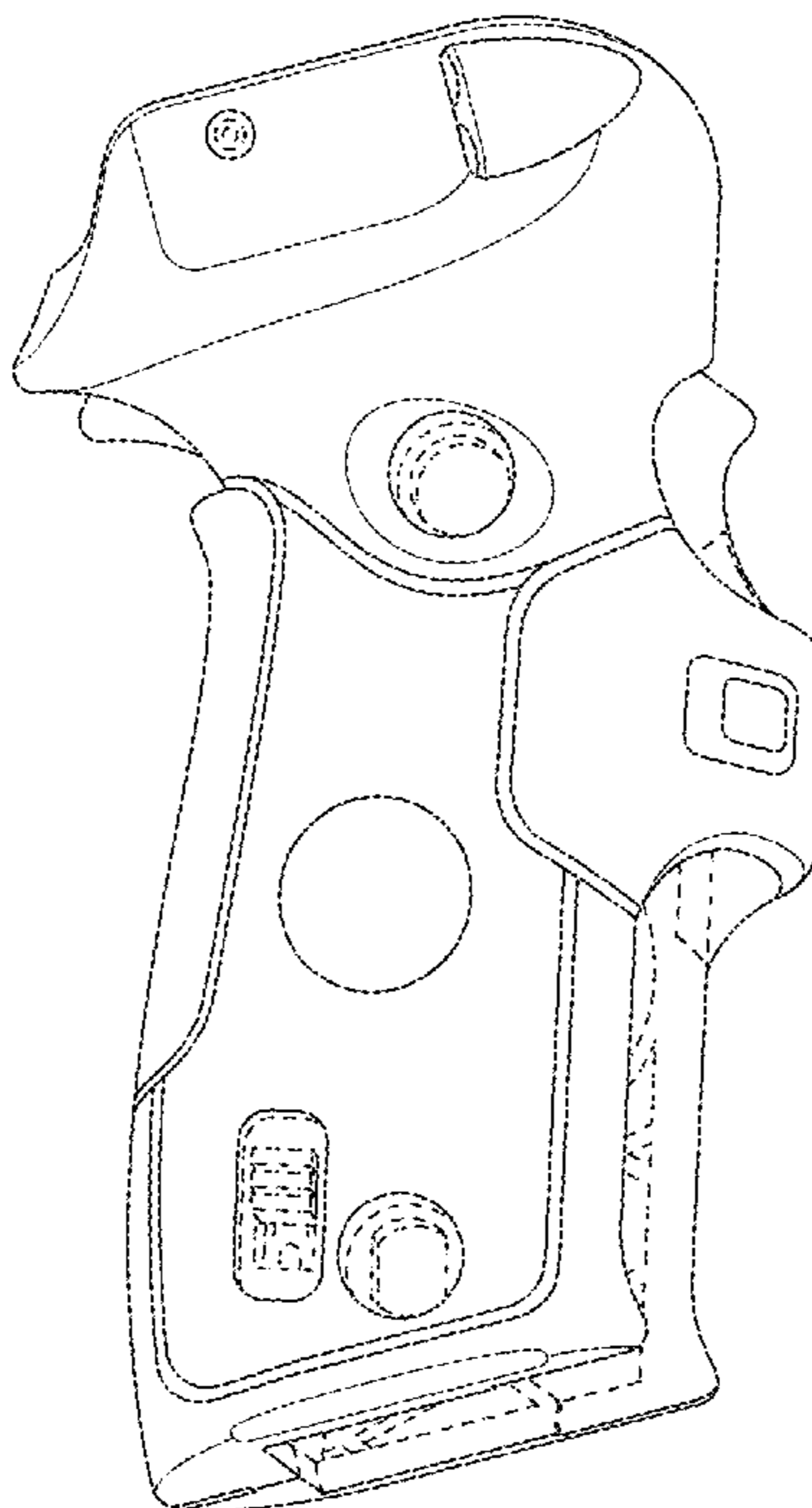
We claim an ornamental design for a dual laser device, as shown and described.

**DESCRIPTION**

FIG. 1 is a perspective view of one embodiment of the present invention;  
FIG. 2 is a front view of the embodiment of FIG. 1;  
FIG. 3 is a rear view of the embodiment of FIG. 1;  
FIG. 4 is a right side view of the embodiment of FIG. 1;  
FIG. 5 is a left side view of the embodiment of FIG. 1 and the opposite side of FIG. 4;  
FIG. 6 is a top view of the embodiment of FIG. 1;  
FIG. 7 is a bottom view of the embodiment of FIG. 1; and,  
FIG. 8 is a side perspective view of the embodiment of FIG. 1.

The dashed lines are included for illustrating environmental structure and form no part of the claimed design.

**1 Claim, 6 Drawing Sheets**



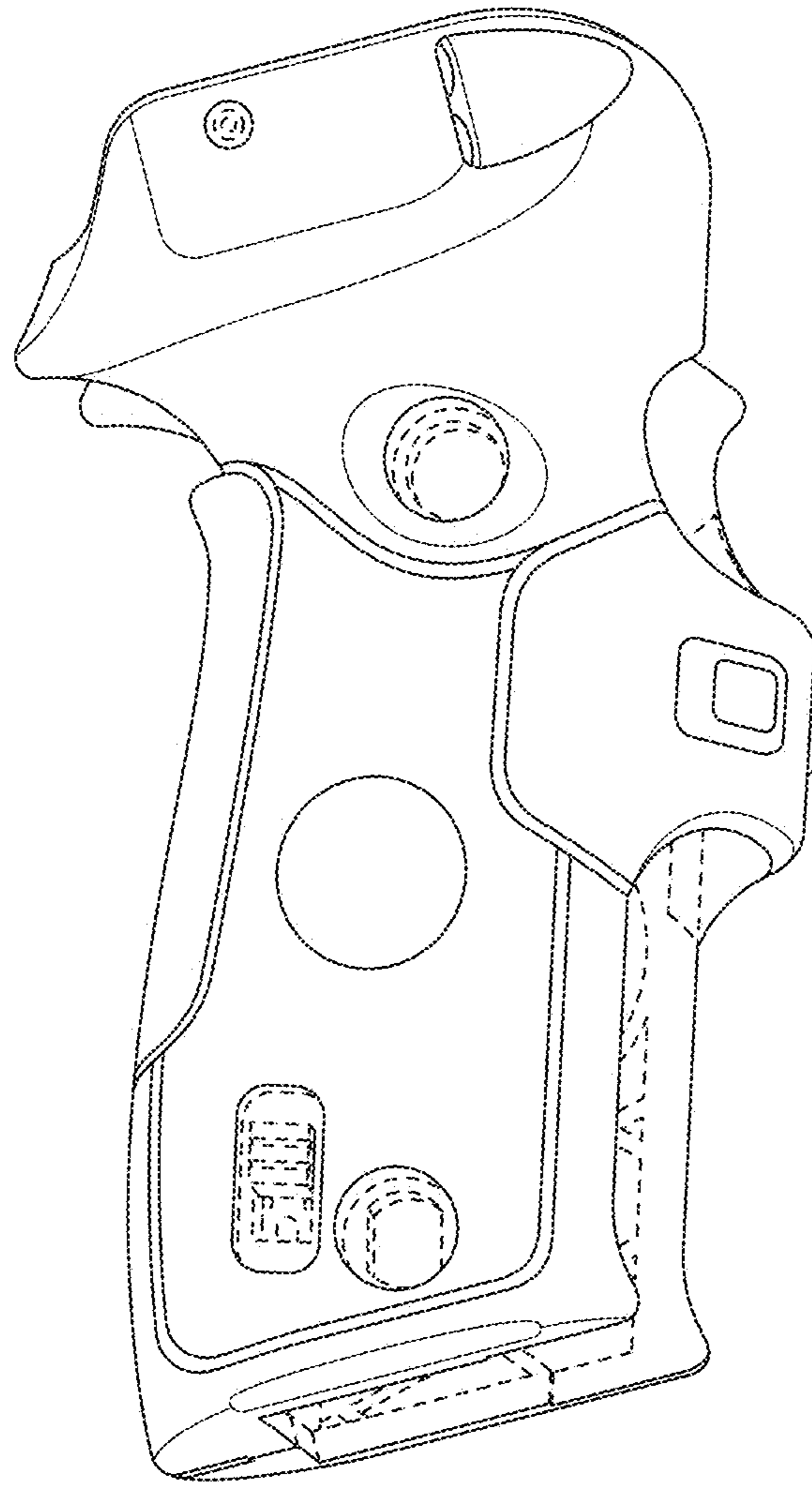


FIG. 1

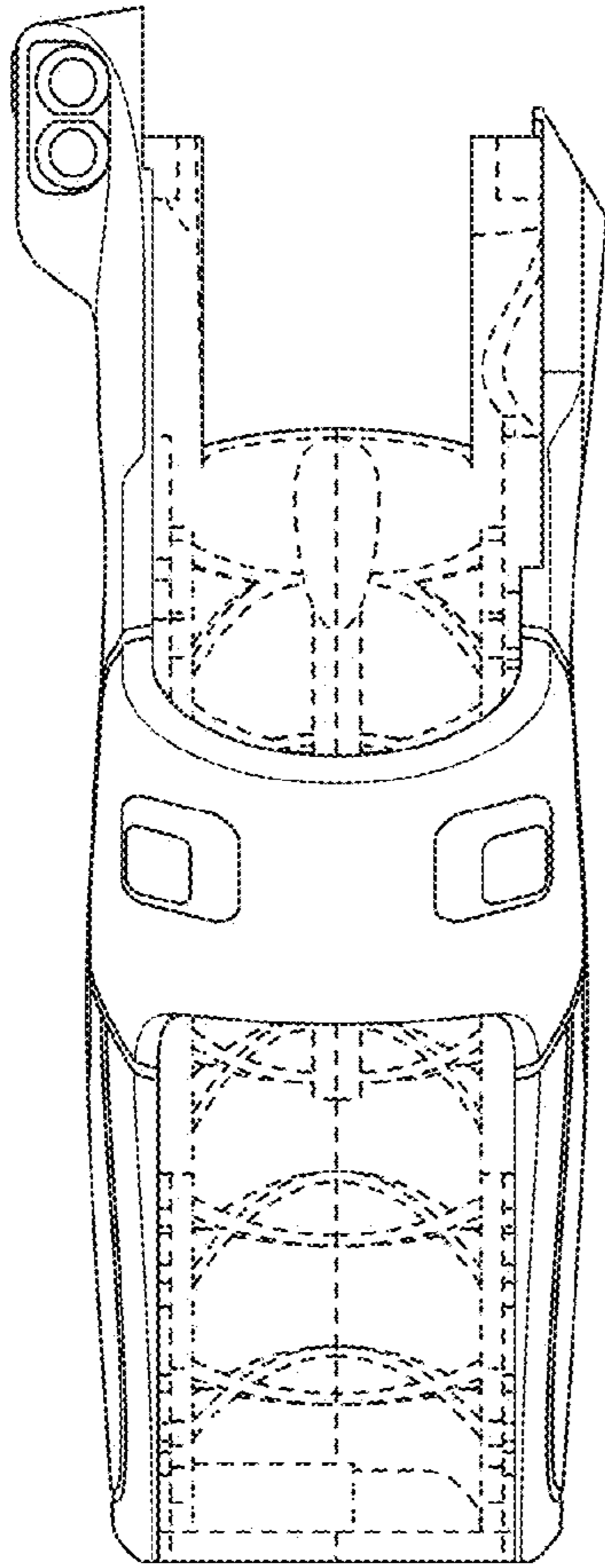


FIG. 2

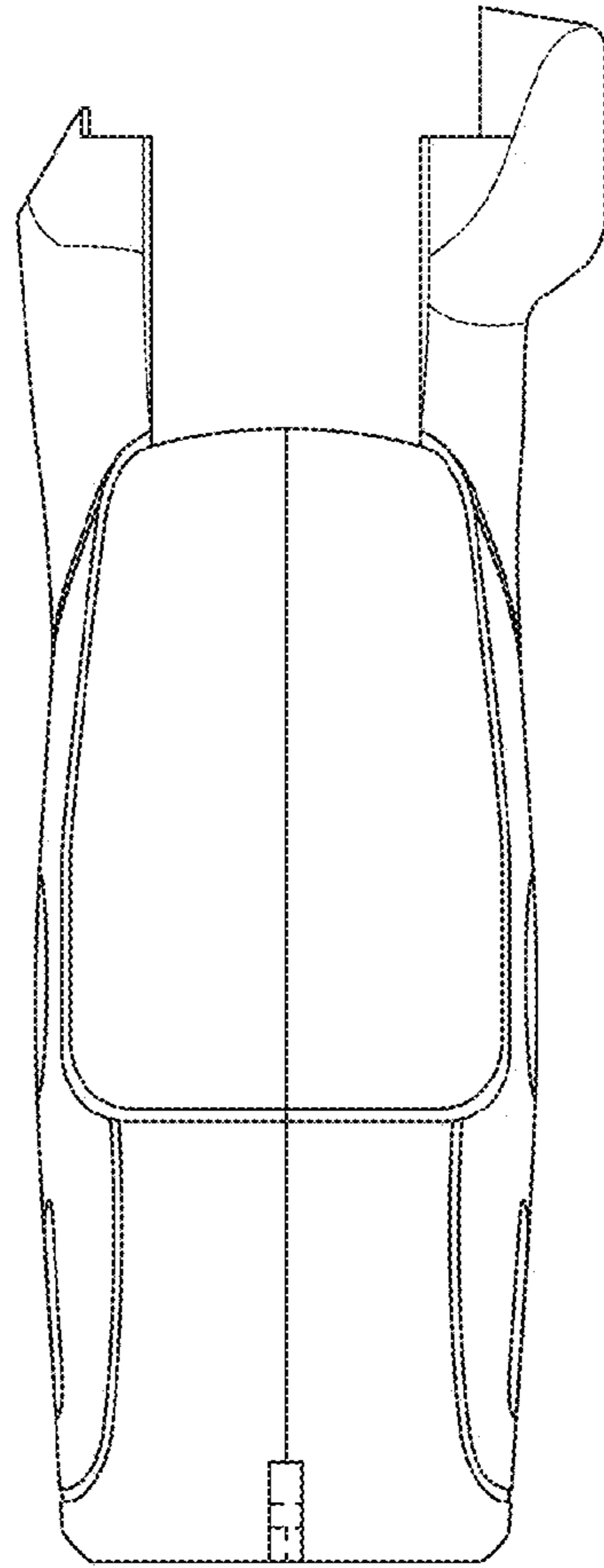


FIG. 3

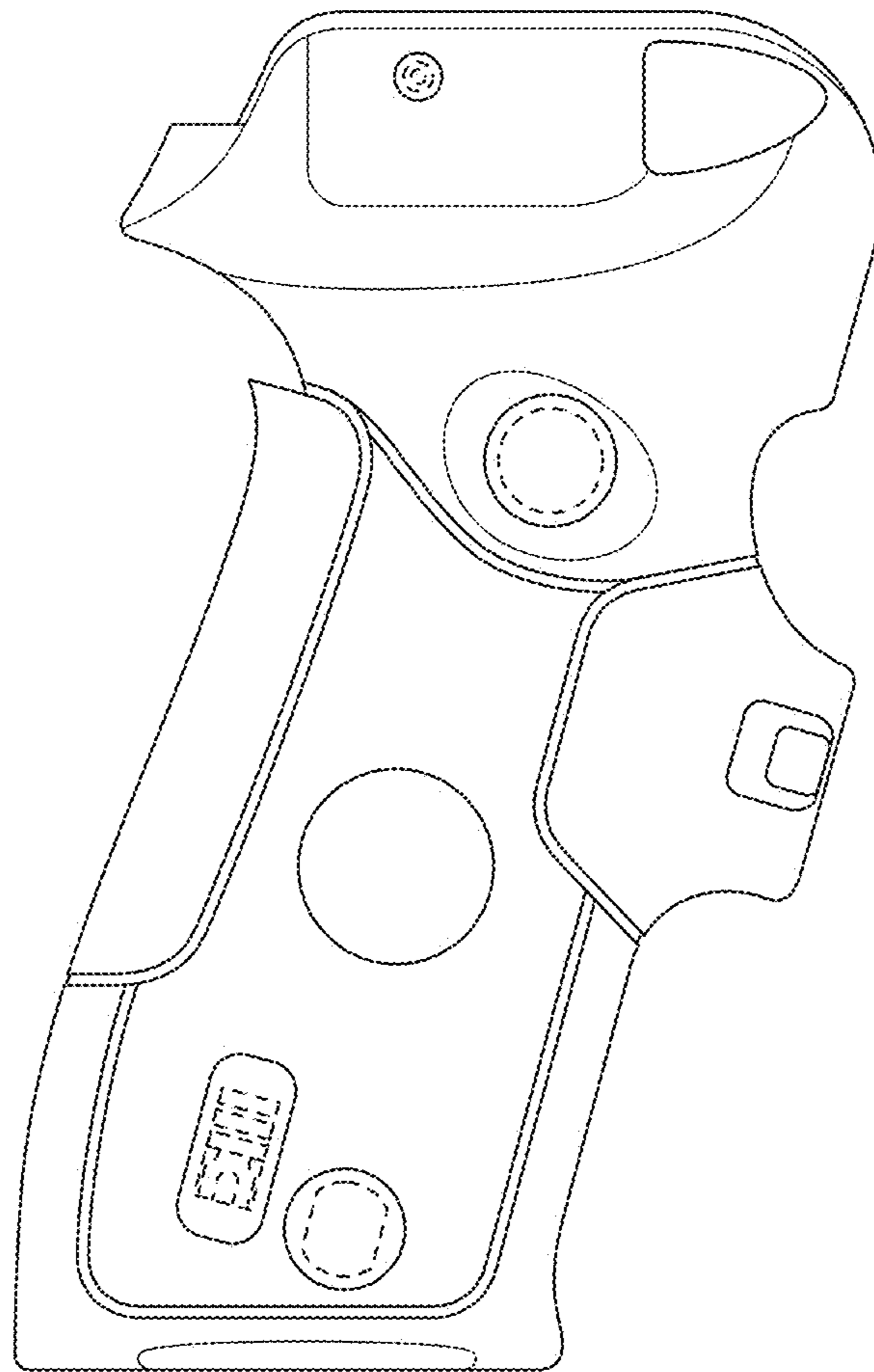


FIG. 4

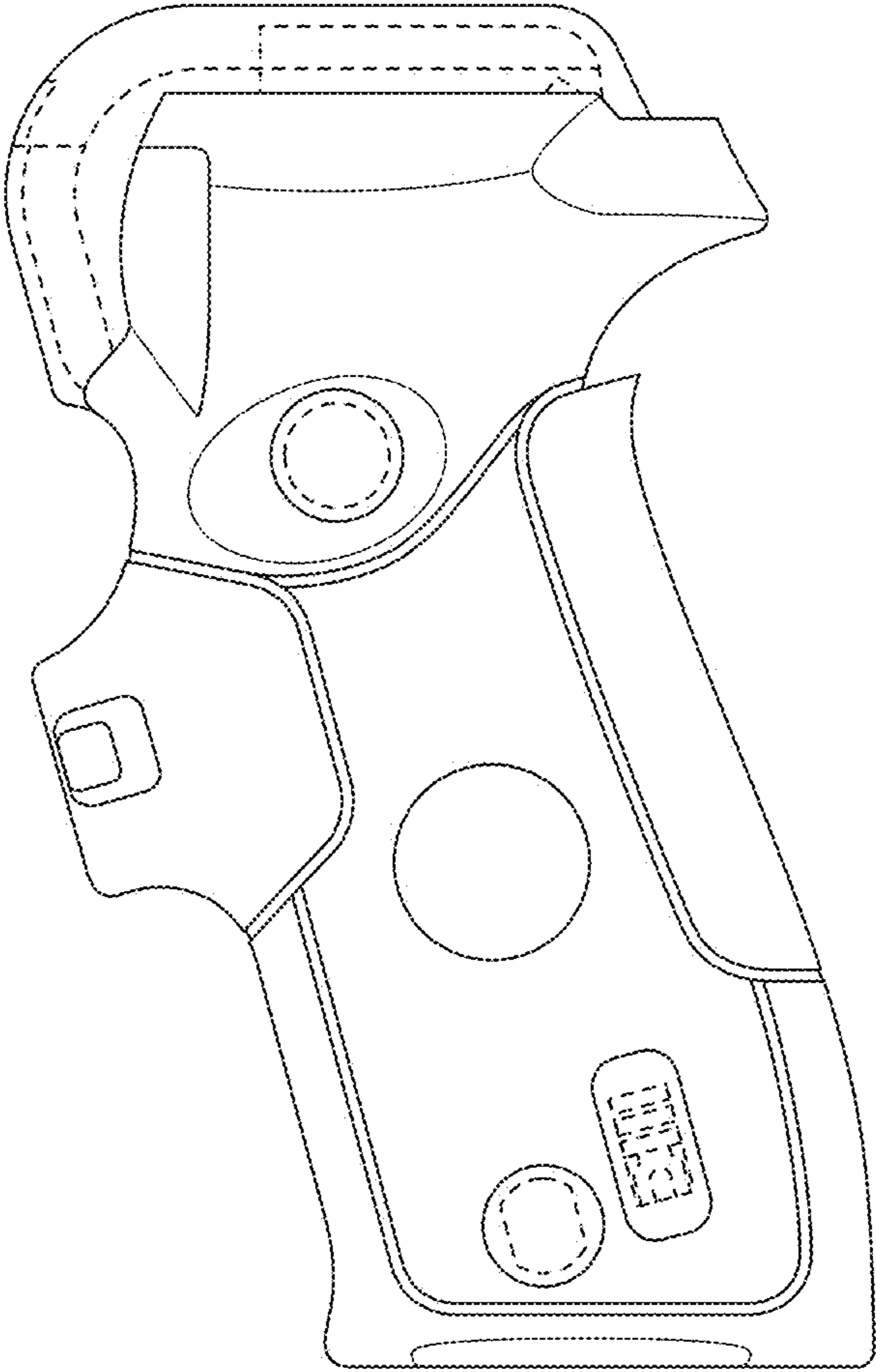


FIG. 5

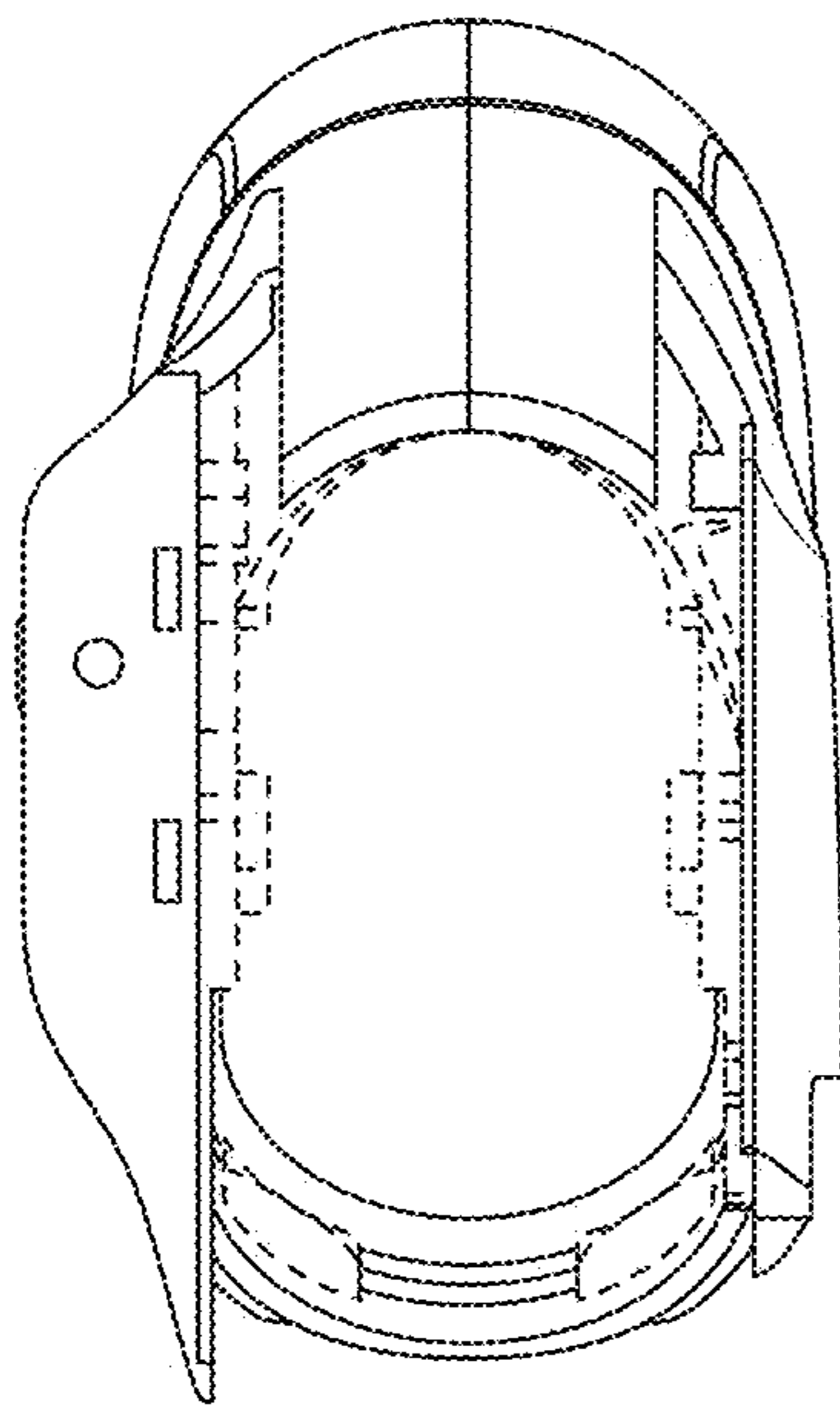


FIG. 6

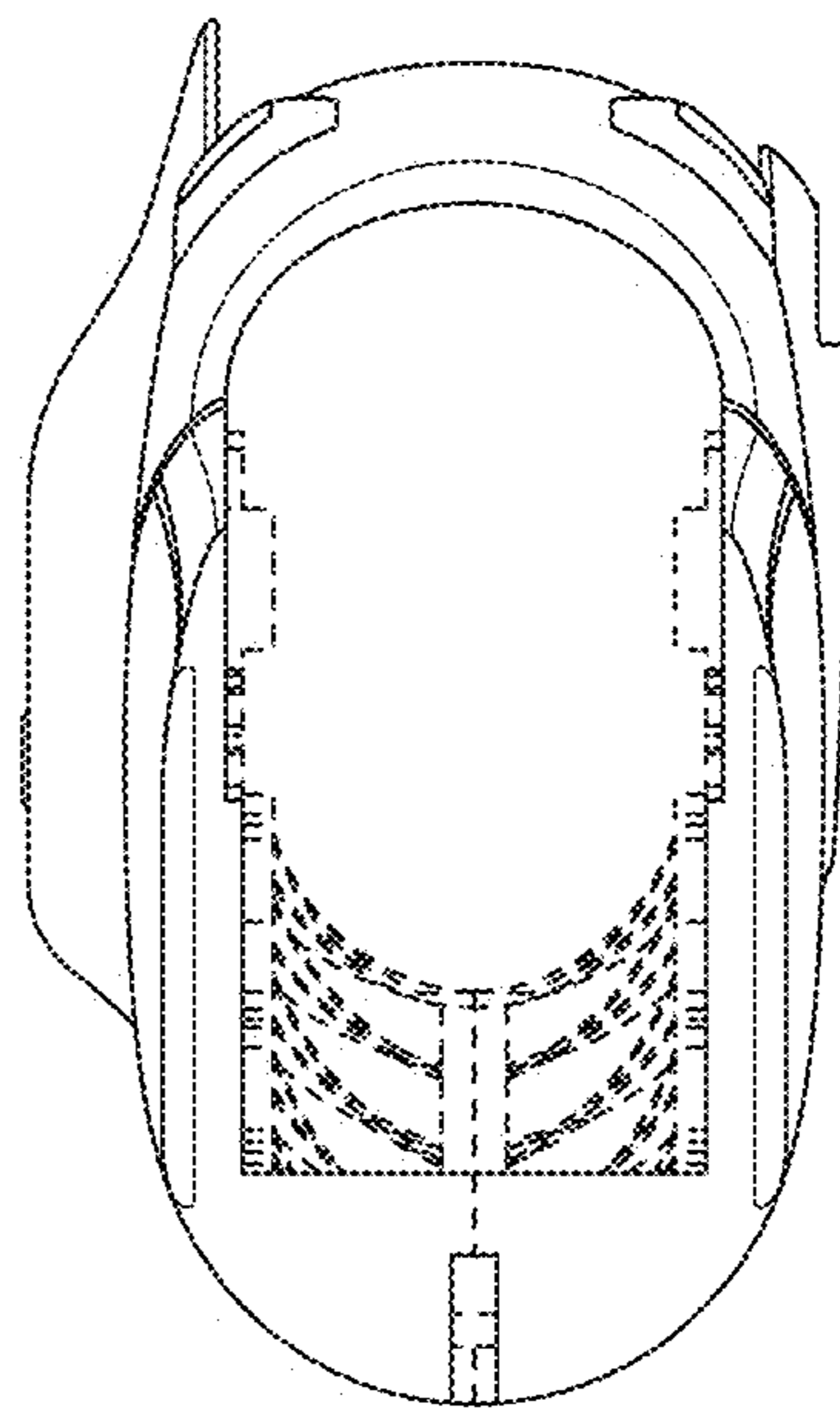


FIG. 7

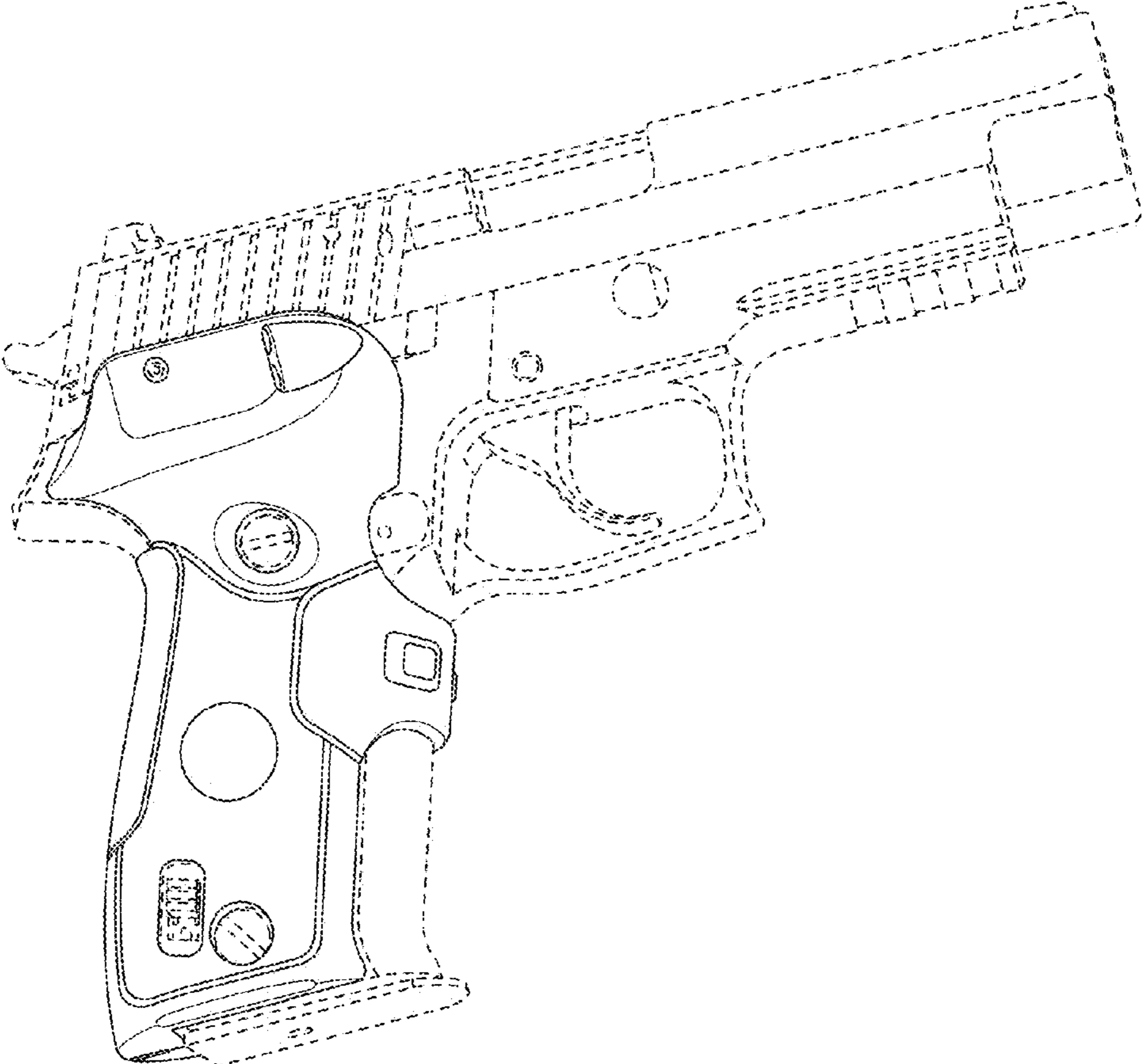


FIG. 8