



US00D689159S

(12) **United States Design Patent**
Wagoner

(10) **Patent No.:** **US D689,159 S**
(45) **Date of Patent:** **** Sep. 3, 2013**

- (54) **INFLATABLE TENT**
- (71) Applicant: **Rebecca Wagoner**, Buckhannon, WV
(US)
- (72) Inventor: **Rebecca Wagoner**, Buckhannon, WV
(US)
- (**) Term: **14 Years**
- (21) Appl. No.: **29/437,579**
- (22) Filed: **Nov. 19, 2012**
- (51) **LOC (9) Cl.** **21-04**
- (52) **U.S. Cl.**
USPC **D21/835**
- (58) **Field of Classification Search**
USPC D21/803, 808, 814, 818, 820, 834,
D21/835, 836, 839; D25/18, 22, 29, 61;
135/90, 96, 121, 124-126, 132, 136;
52/2.11-2.19, 2.21, 2.25; 446/85, 89; 425/389
See application file for complete search history.

4,000,585	A *	1/1977	Denaro	52/2.17
4,335,545	A *	6/1982	Couch	52/2.19
D396,087	S *	7/1998	Liu	D21/835
5,987,822	A *	11/1999	McNiff et al.	52/2.11
D472,292	S *	3/2003	Peterson	D21/818
6,565,405	B2 *	5/2003	Hsu et al.	446/89
D592,270	S *	5/2009	Cobb et al.	D21/835
D608,406	S *	1/2010	Cobb et al.	D21/835
8,011,986	B1 *	9/2011	Curtsinger	52/2.23
D661,764	S *	6/2012	Galinski	D21/835

* cited by examiner

Primary Examiner — Cynthia M Chin
(74) *Attorney, Agent, or Firm* — Gulf Coast Intellectual Property Group

(57) **CLAIM**
The ornamental design for an inflatable tent, as shown and described.

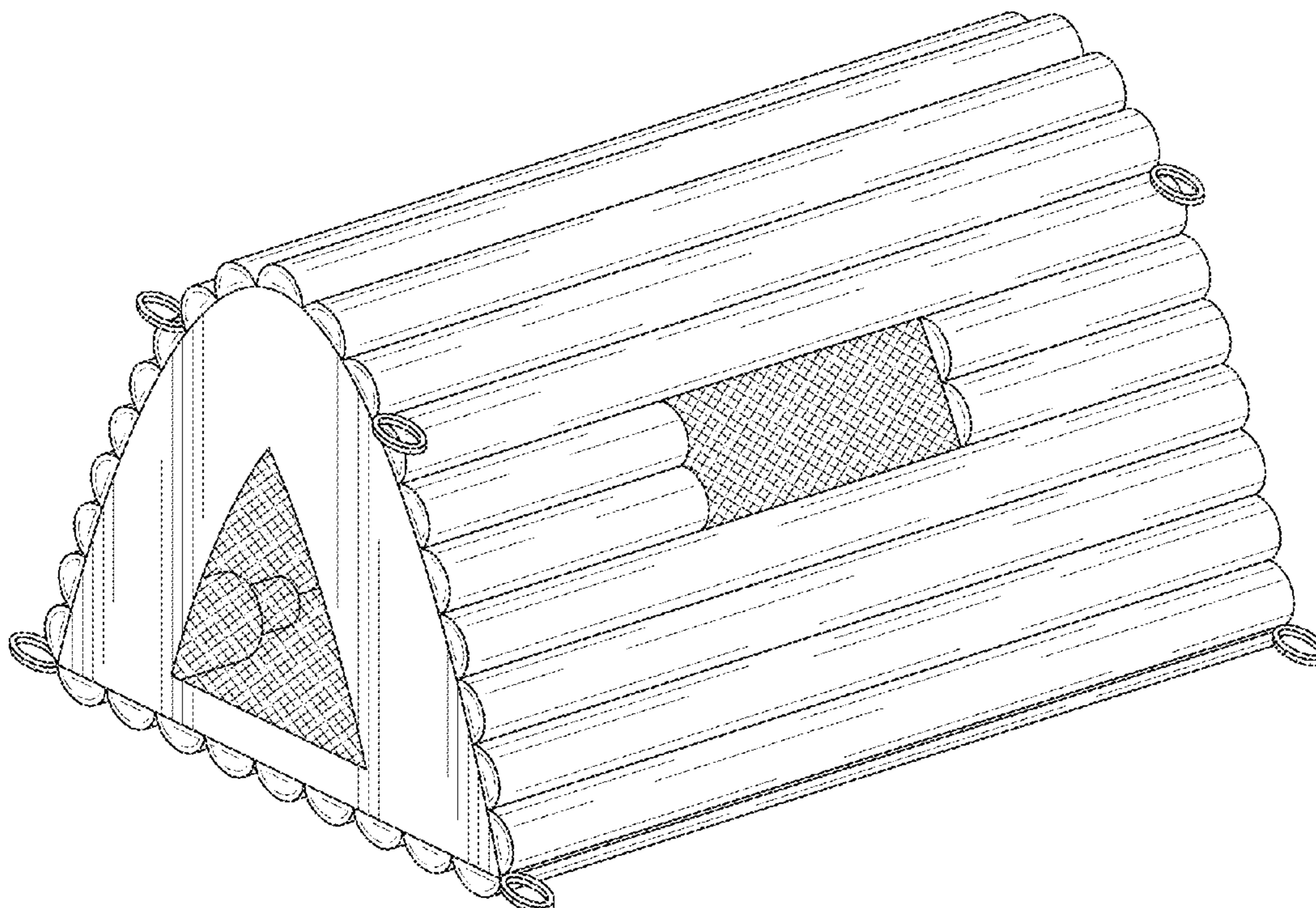
DESCRIPTION

FIG. 1 is a perspective view of the present invention; and FIG. 2 is a front view of the present invention; and FIG. 3 is a rear view of the present invention; and FIG. 4 is a left side view of the present invention; and FIG. 5 is a right side view of the present invention; and, FIG. 6 is a bottom view of the present invention.

1 Claim, 3 Drawing Sheets

- (56) **References Cited**

U.S. PATENT DOCUMENTS
2,875,771 A * 3/1959 Brewin 52/2.11
3,211,162 A * 10/1965 Sigel 52/2.19



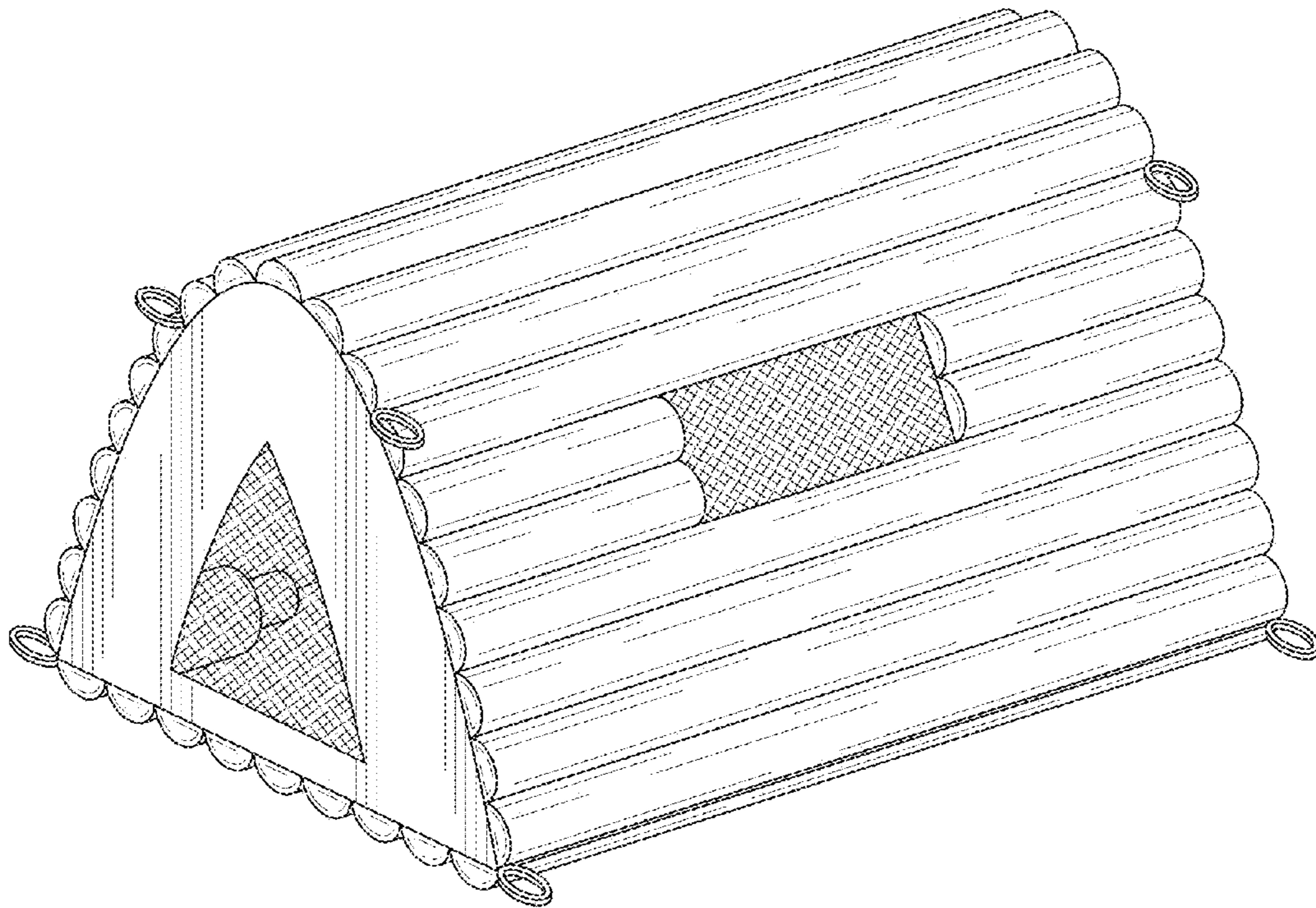


FIG. 1

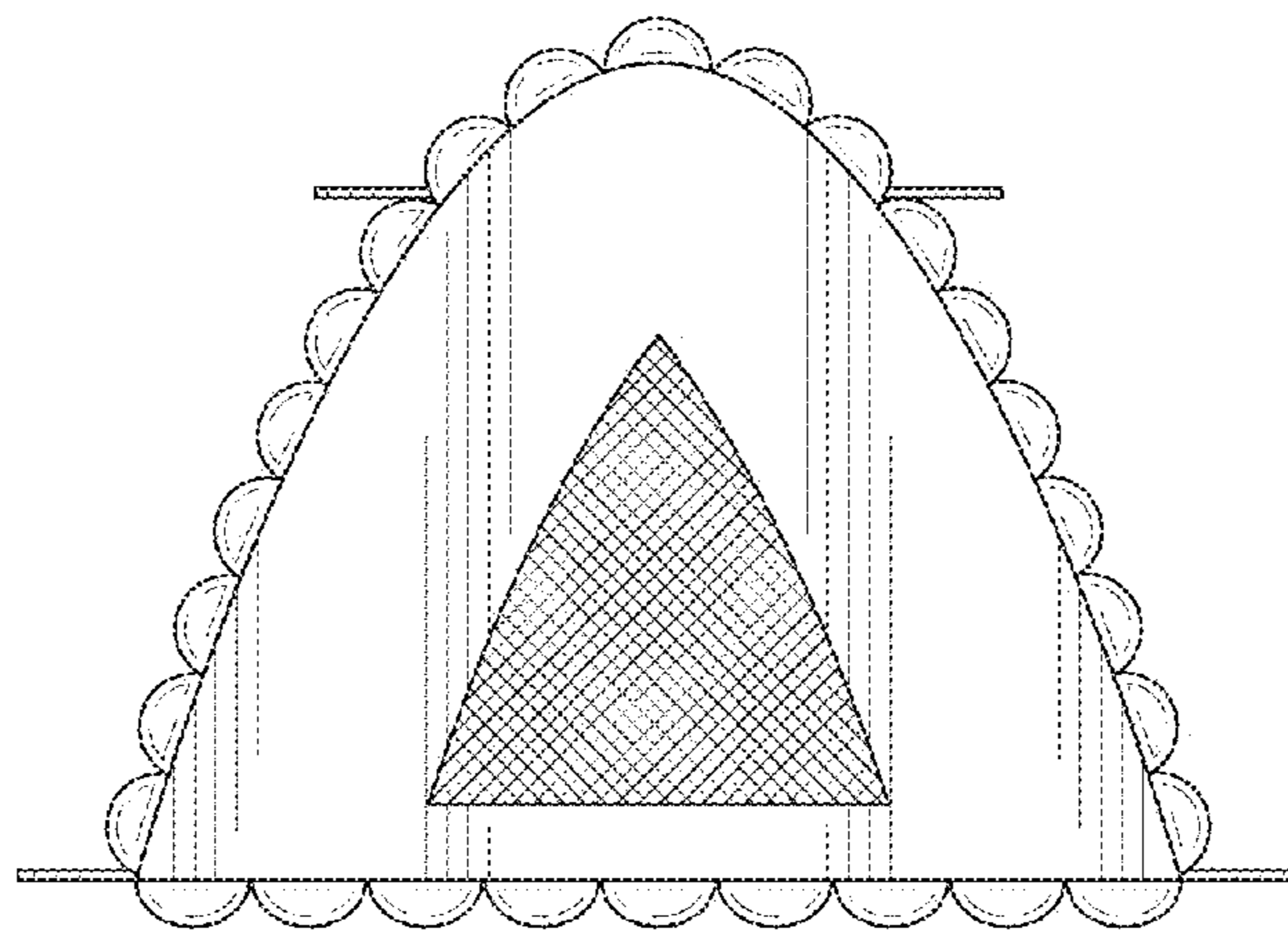


FIG. 2

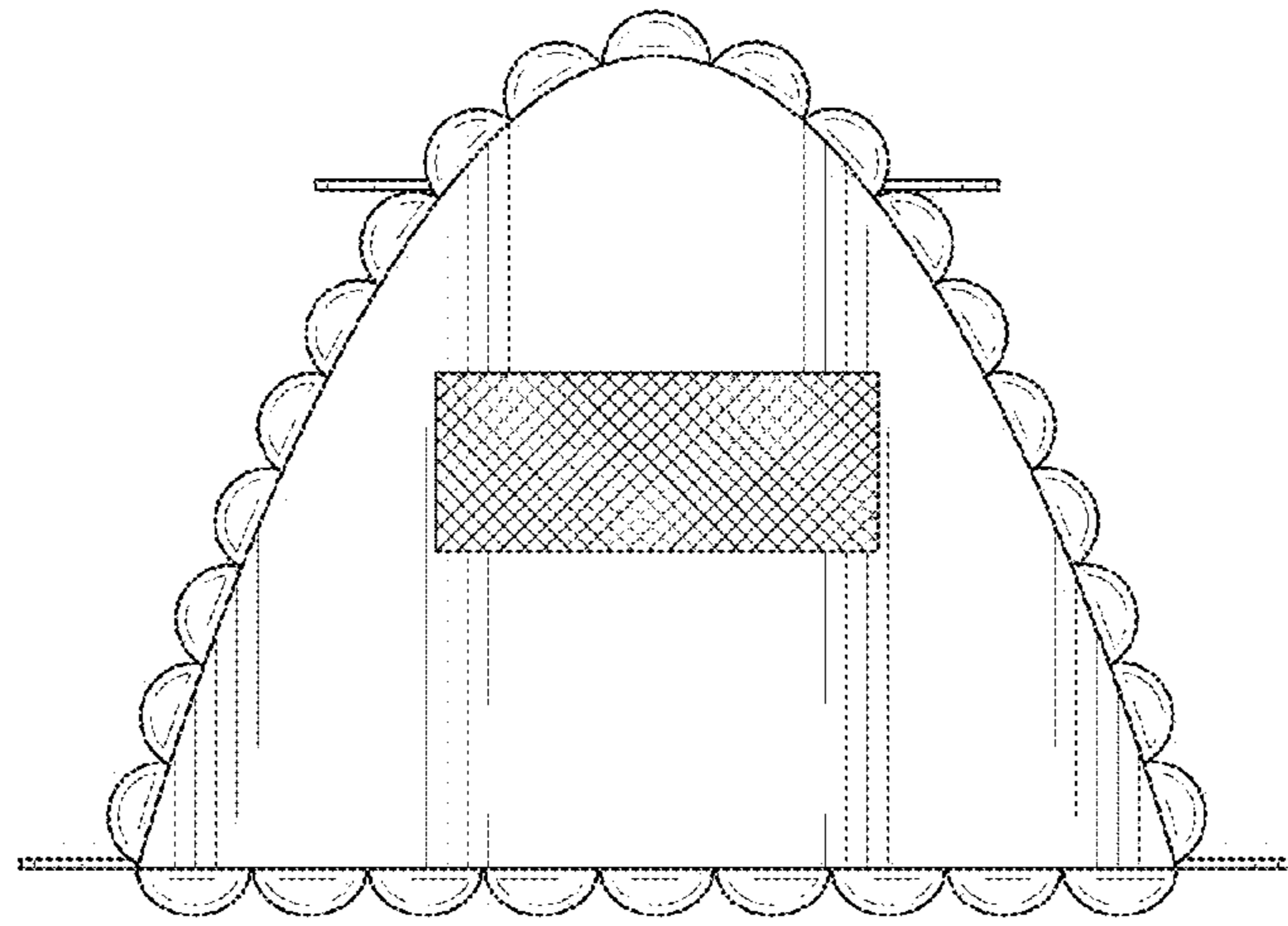


FIG. 3

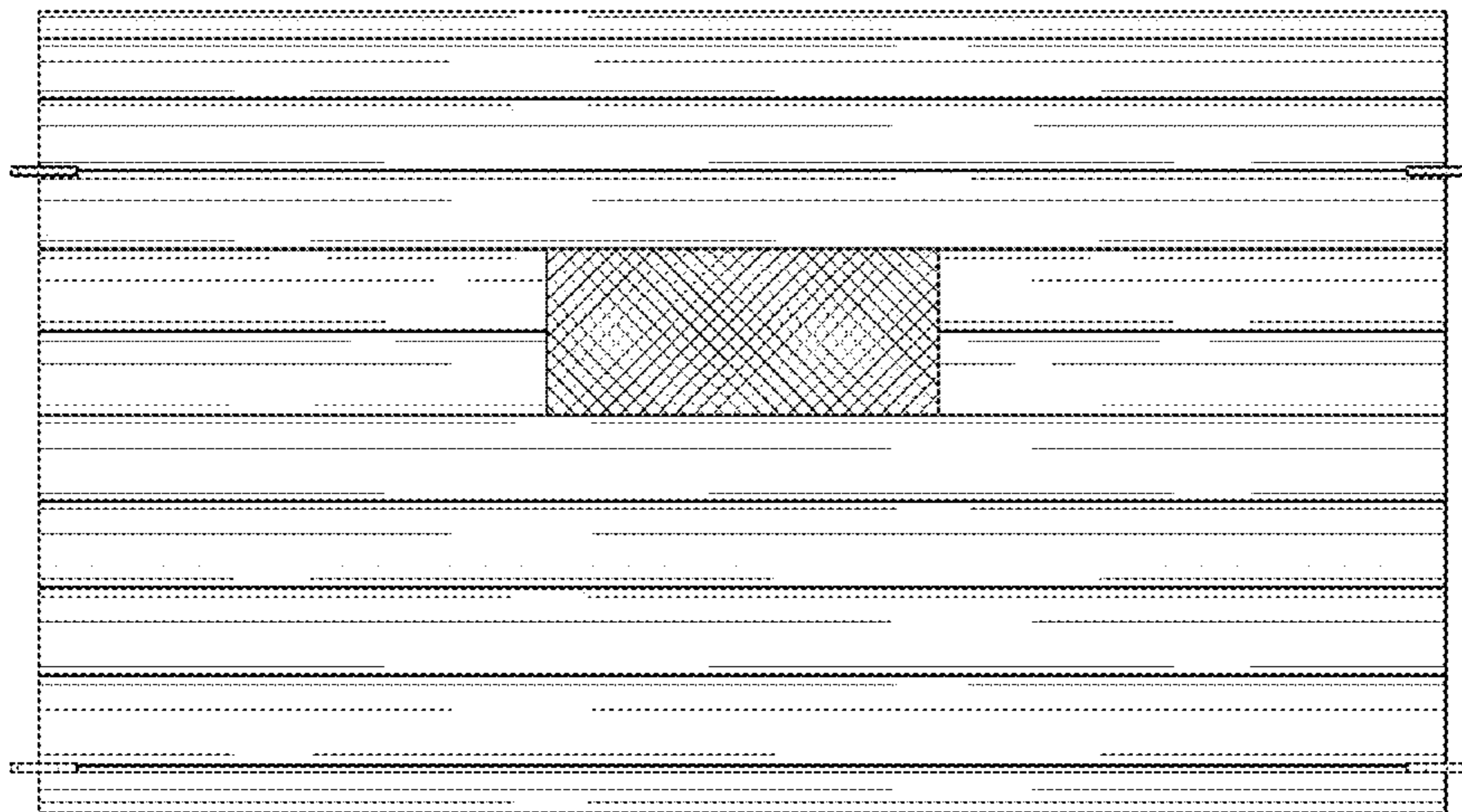


FIG. 4

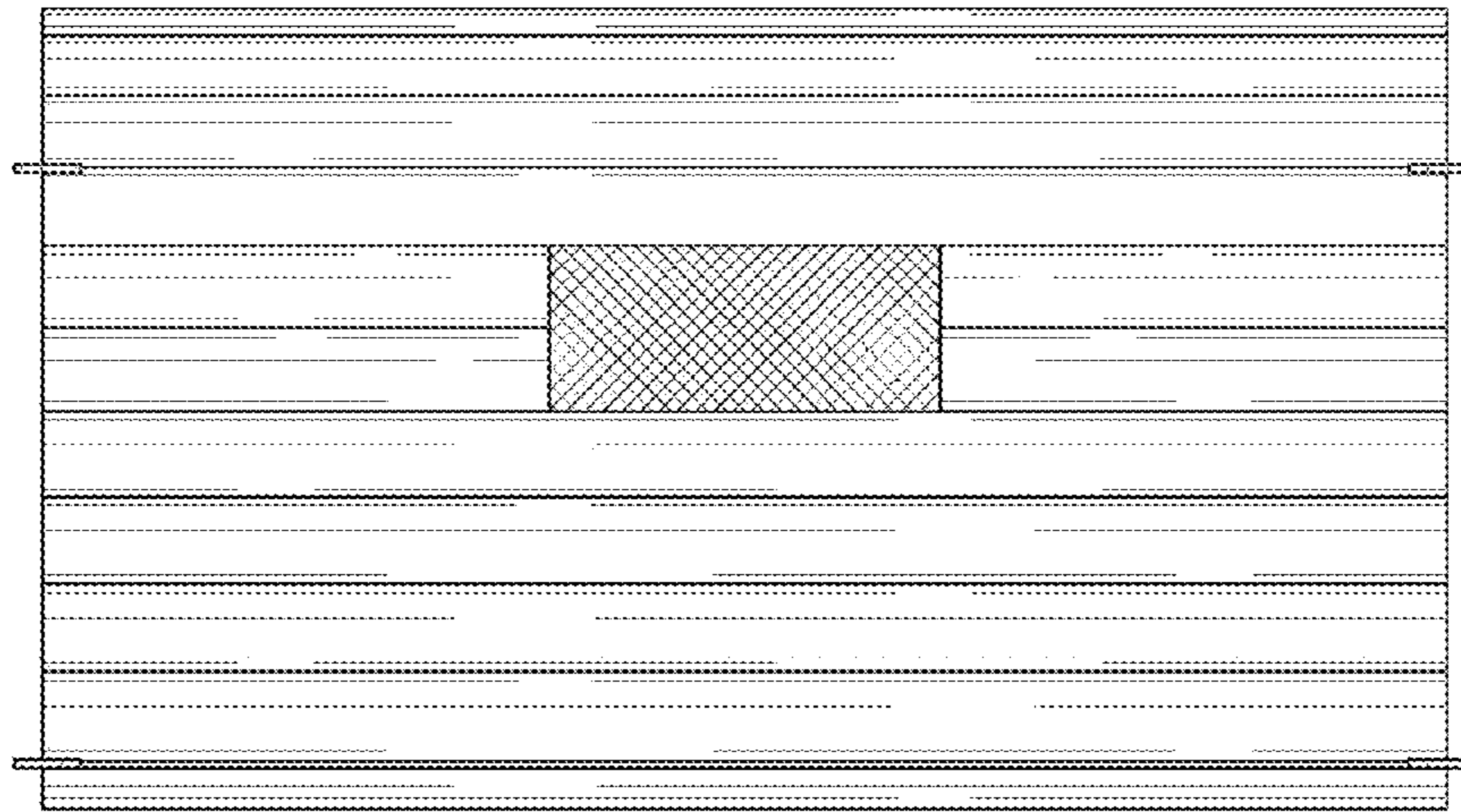


FIG. 5

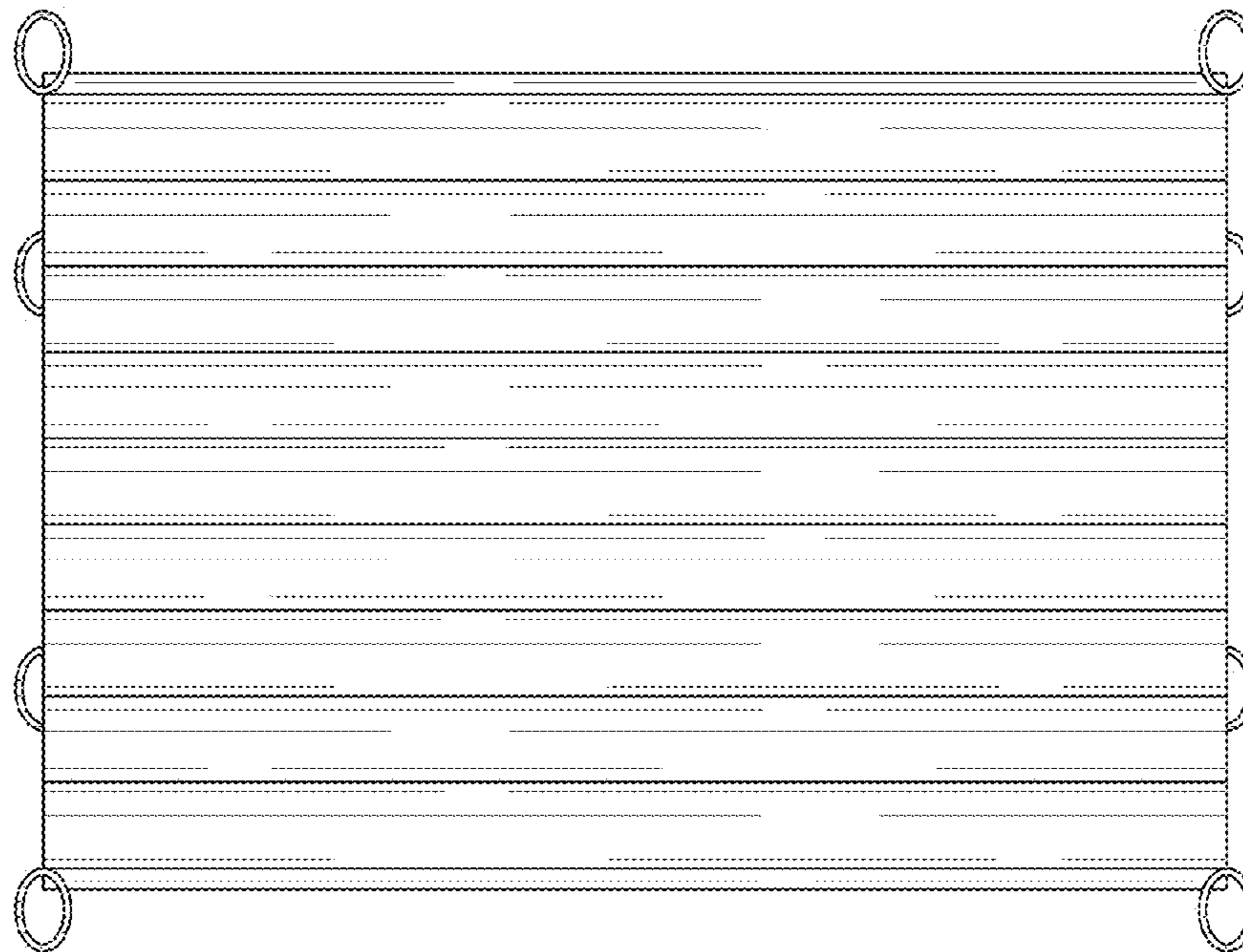


FIG. 6