



US00D689158S

(12) **United States Design Patent**  
**Lucero**

(10) **Patent No.:** **US D689,158 S**  
(45) **Date of Patent:** **\*\* Sep. 3, 2013**

- (54) **SKY VIEW TENT**
- (71) Applicant: **Adam Lucero**, Anchorage, AK (US)
- (72) Inventor: **Adam Lucero**, Anchorage, AK (US)
- (\*\*) Term: **14 Years**
- (21) Appl. No.: **29/438,816**
- (22) Filed: **Dec. 4, 2012**

D323,370 S *	1/1992	Bryant	.....	D21/834
D403,711 S *	1/1999	Lah	.....	D21/834
6,145,527 A *	11/2000	Gillis	.....	135/124
D457,590 S *	5/2002	Olson et al.	.....	D21/834
D465,004 S *	10/2002	Funk et al.	.....	D21/834
D535,350 S *	1/2007	Ju	.....	D21/834
D562,930 S *	2/2008	Poulson et al.	.....	D21/834
D564,615 S *	3/2008	Ruben et al.	.....	D21/834

\* cited by examiner

*Primary Examiner* — Cynthia M Chin  
(74) *Attorney, Agent, or Firm* — Antonio Papageorgiou;  
Ostrow Kaufman LLP

**Related U.S. Application Data**

- (63) Continuation-in-part of application No. 12/969,090, filed on Dec. 15, 2010, now abandoned.
- (51) **LOC (9) Cl.** ..... **21-04**
- (52) **U.S. Cl.**  
USPC ..... **D21/834**
- (58) **Field of Classification Search**  
USPC ..... D21/834, 837, 838, 839; D25/13,  
D25/19, 31, 56; 135/87, 91, 95, 115, 117,  
135/124–138  
See application file for complete search history.

(57) **CLAIM**

The ornamental design for a sky view tent, as shown and described.

**DESCRIPTION**

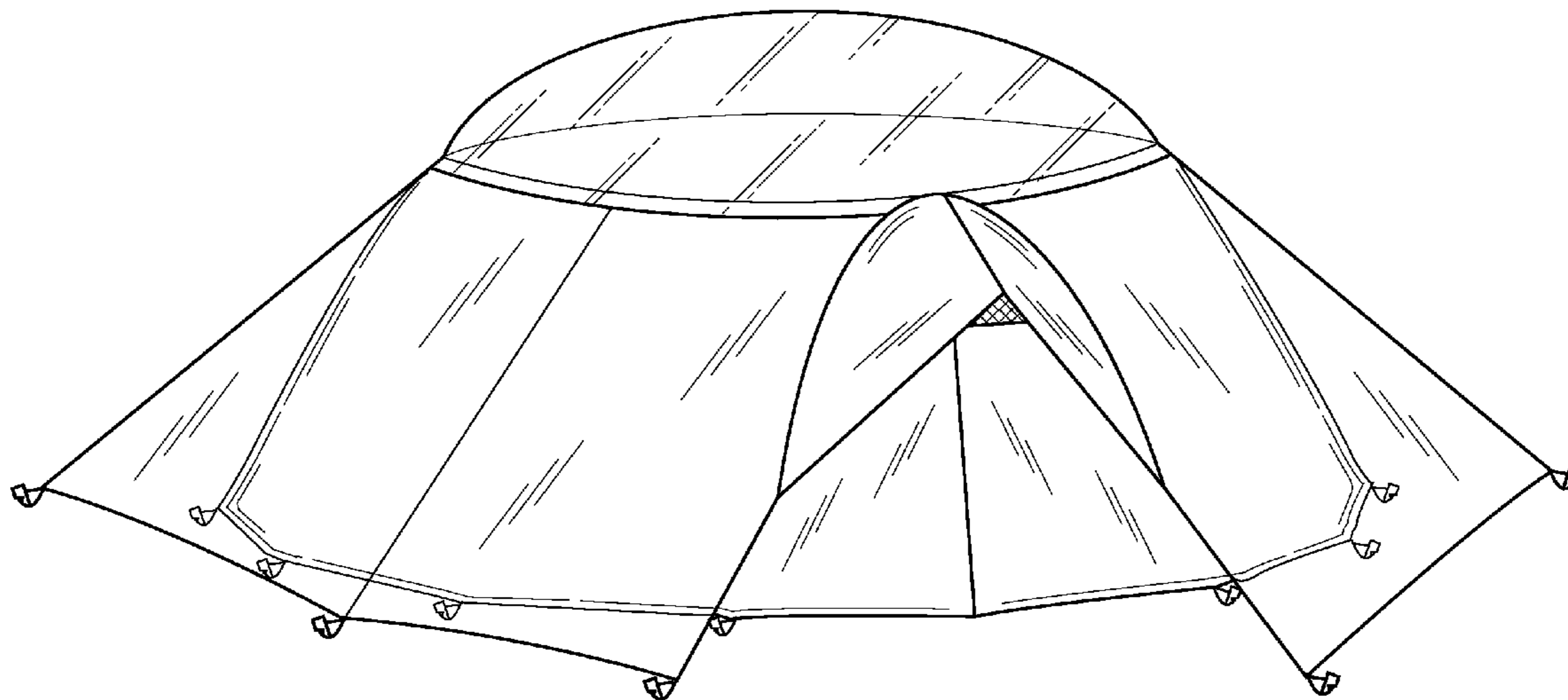
FIG. 1 is a perspective view of one side and the front of the sky view tent according to my new design;  
FIG. 2 is a front view thereof;  
FIG. 3 is a back view thereof;  
FIG. 4 is a right side view thereof;  
FIG. 5 is a left side view thereof; and,  
FIG. 6 is a top view thereof.

(56) **References Cited**

**U.S. PATENT DOCUMENTS**

D272,172 S *	1/1984	Jutras	.....	D21/834
4,719,935 A *	1/1988	Gustafson	.....	135/124

**1 Claim, 6 Drawing Sheets**



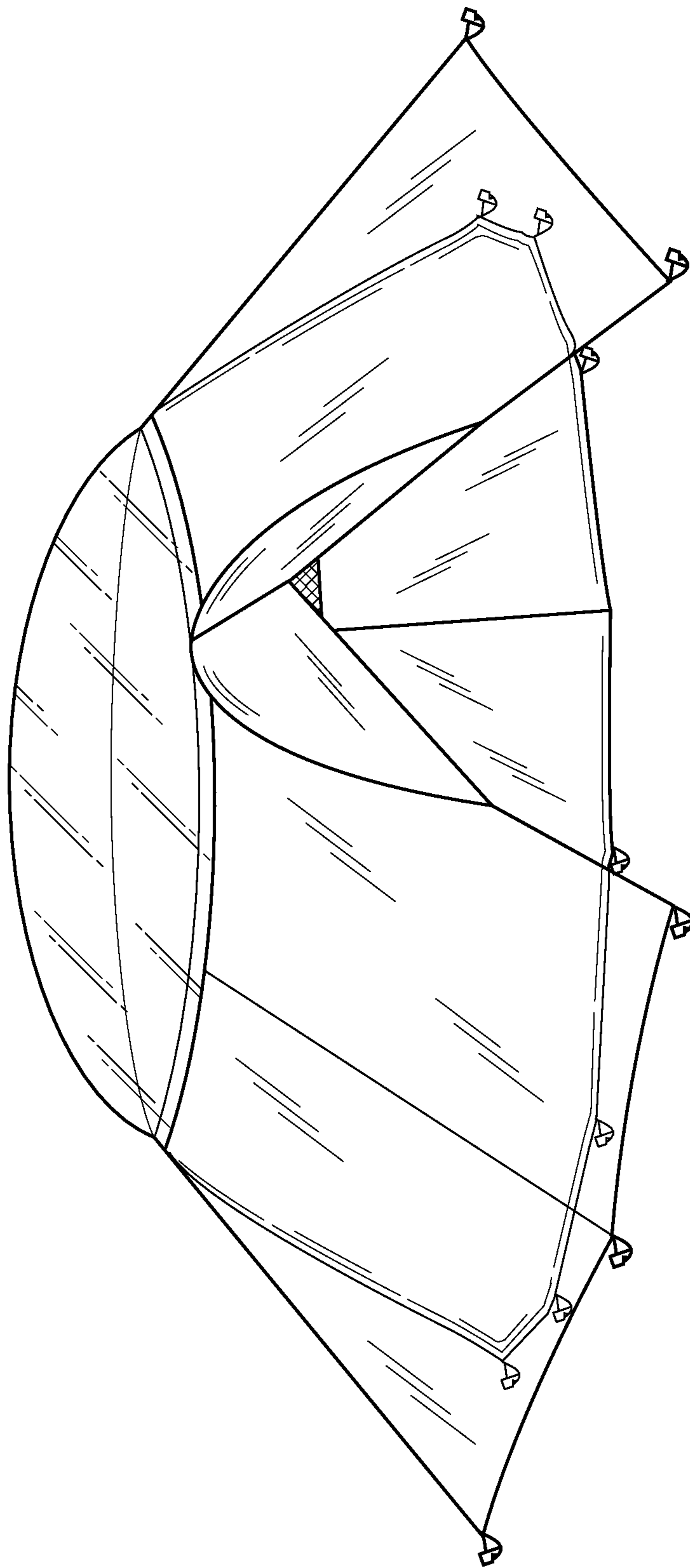


FIG. 1

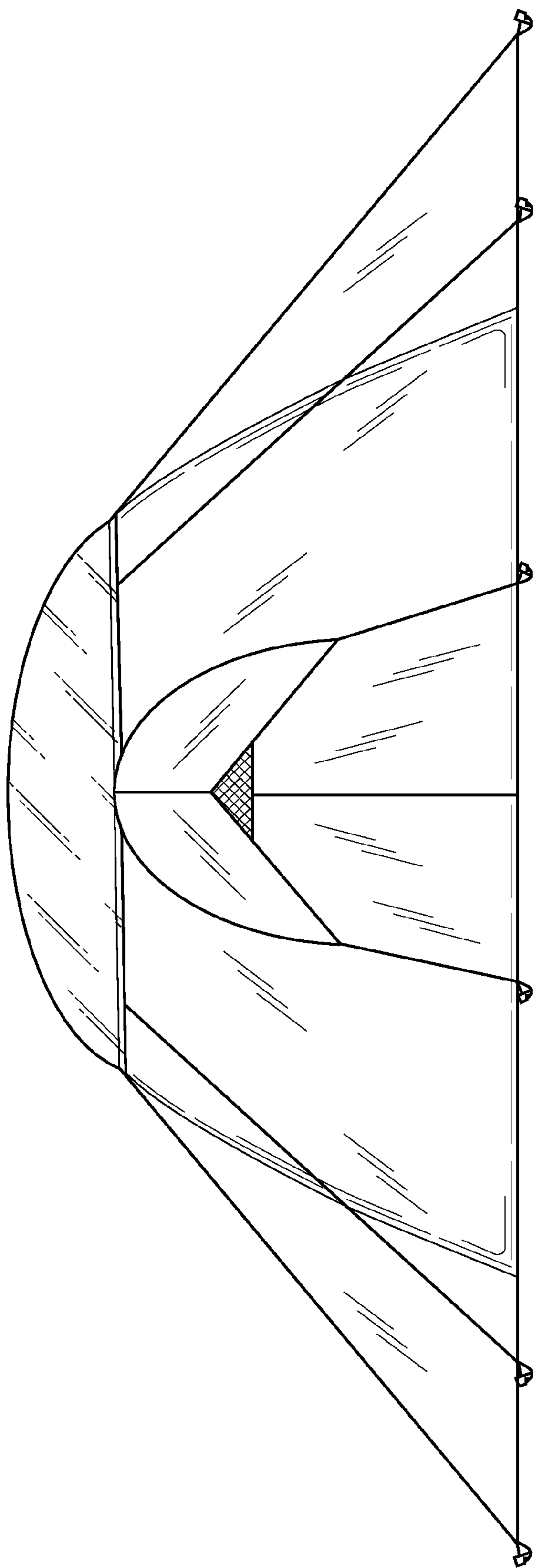


FIG. 2

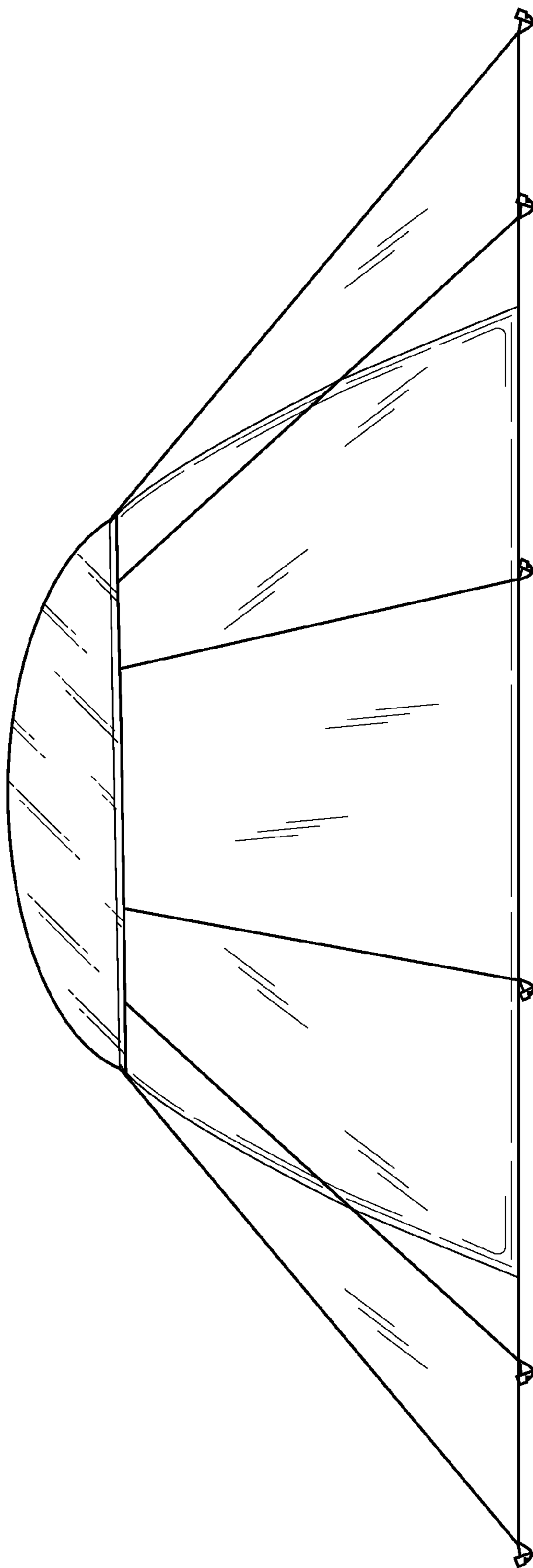


FIG. 3

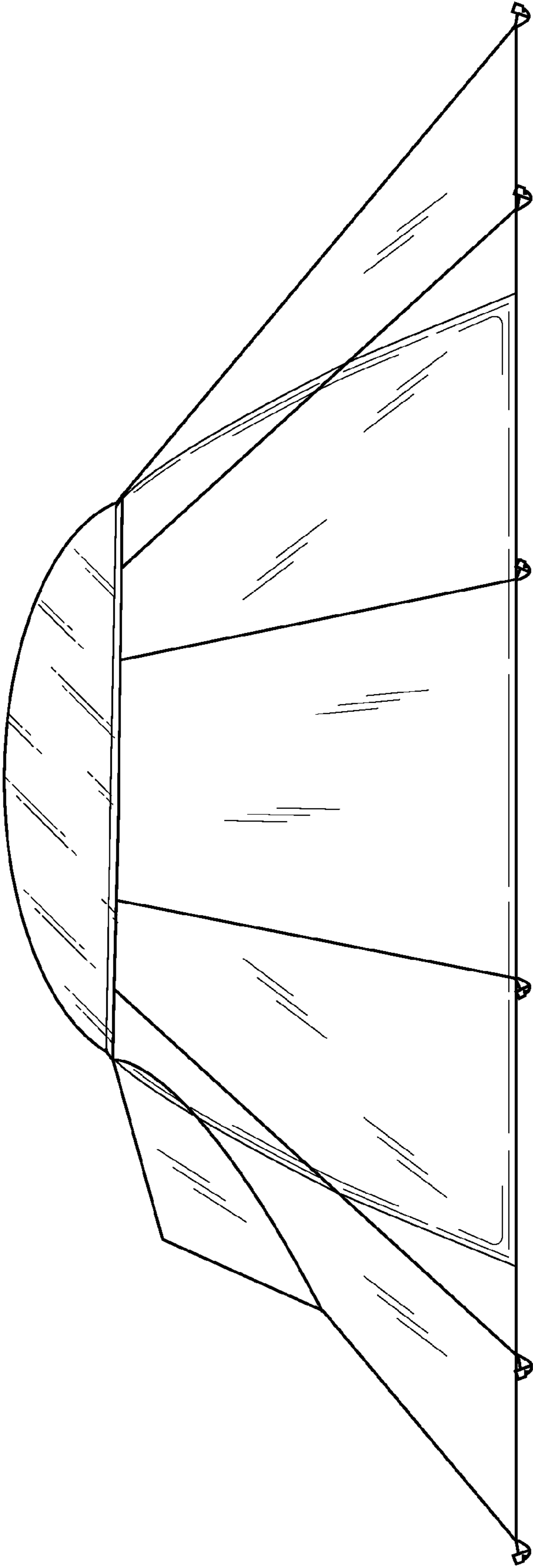


FIG. 4

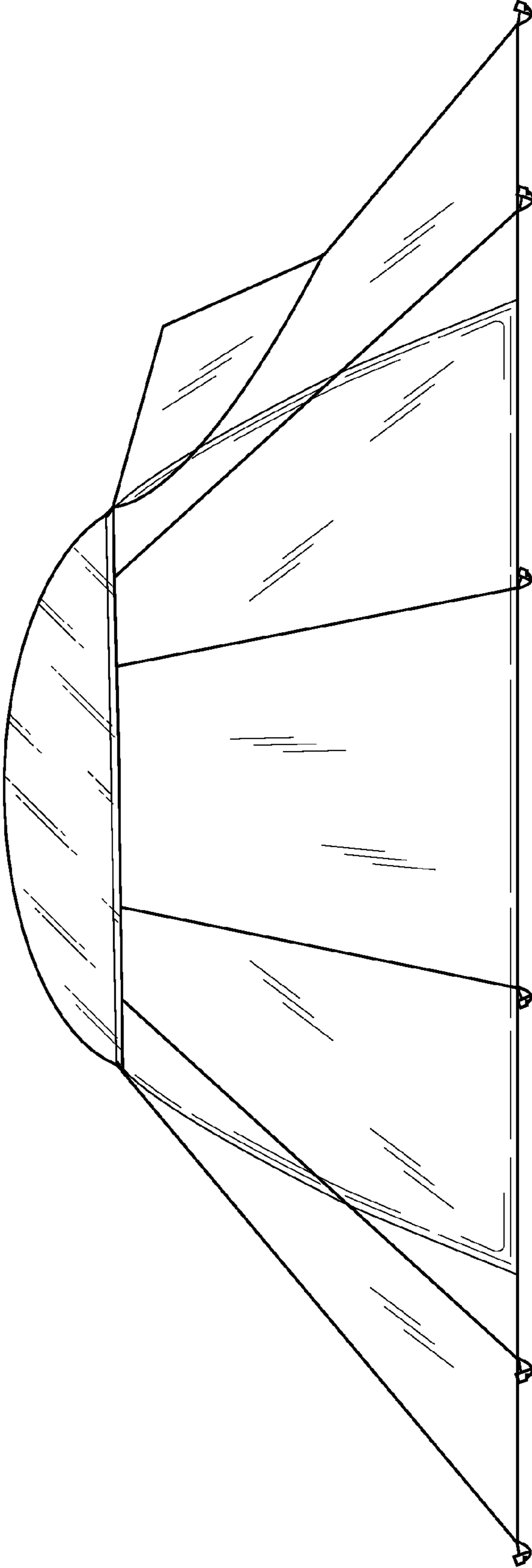


FIG. 5

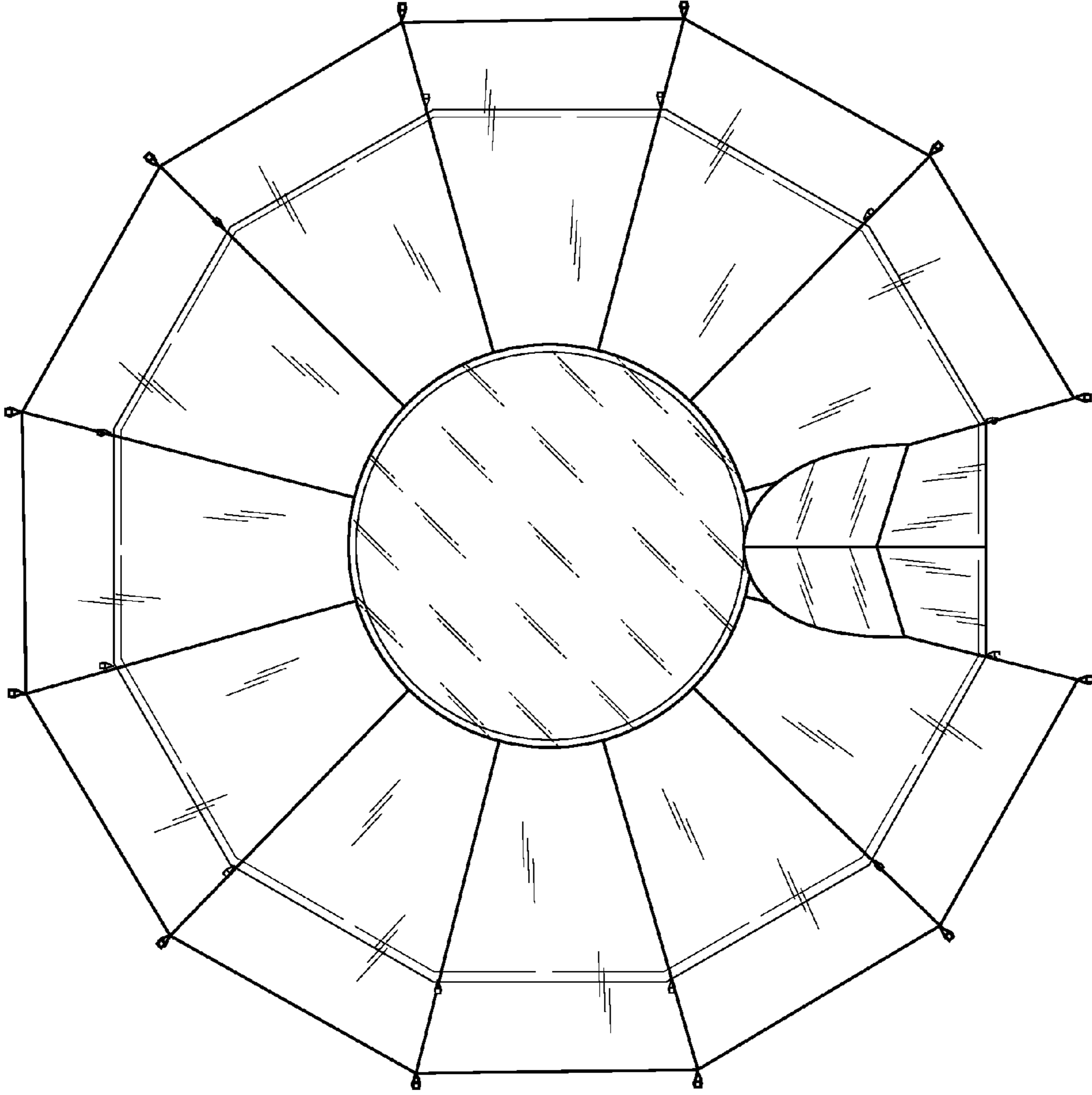


FIG. 6