



US00D689156S

(12) **United States Design Patent**
Stokke et al.

(10) **Patent No.:** **US D689,156 S**
(45) **Date of Patent:** **** Sep. 3, 2013**

- (54) **GOLF CLUB HEAD**
- (75) Inventors: **Ryan M. Stokke**, Phoenix, AZ (US);
Xiaojian Chen, Phoenix, AZ (US);
Marty R. Jertson, Phoenix, AZ (US);
Bradley D. Schweigert, Anthem, AZ (US)
- (73) Assignee: **Karsten Manufacturing Corporation**, Phoenix, AZ (US)
- (**) Term: **14 Years**
- (21) Appl. No.: **29/426,257**
- (22) Filed: **Jul. 2, 2012**
- (51) **LOC (9) Cl.** **21-02**
- (52) **U.S. Cl.**
USPC **D21/759**
- (58) **Field of Classification Search**
USPC D21/733, 752, 759; 473/324–331,
473/343–346, 350
See application file for complete search history.

- D402,340 S 12/1998 Sheets
- D404,098 S 1/1999 Ishikawa
- 5,980,394 A 11/1999 Domas
- D418,888 S 1/2000 Williams
- D425,589 S 5/2000 Ishikawa
- D426,604 S 6/2000 Besnard
- 6,074,310 A 6/2000 Ota
- 6,080,069 A 6/2000 Long
- D433,073 S 10/2000 Sodano
- D441,818 S 5/2001 Sato

(Continued)

OTHER PUBLICATIONS

Bradley D. Schweigert, et al., "Golf Club Head," U.S. Appl. No. 29/423,612, filed Jun. 1, 2012.

Primary Examiner — Mitchell Siegel

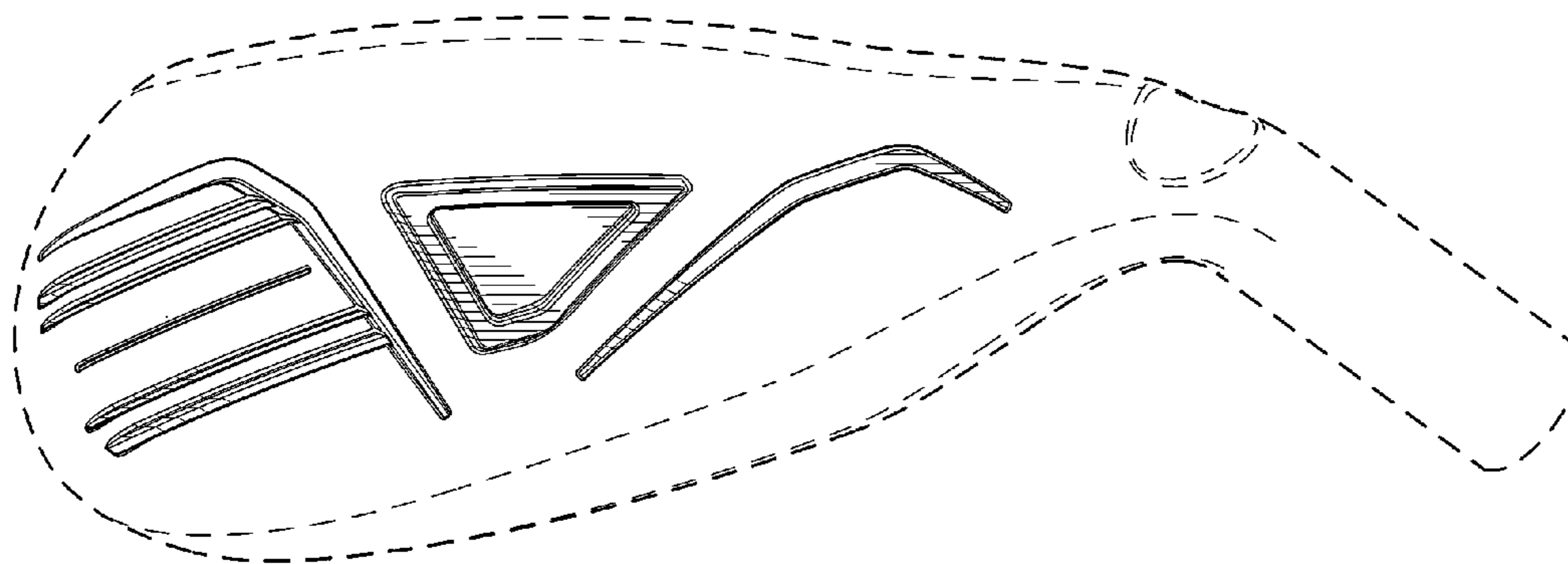
(57) **CLAIM**
The ornamental design for a golf club head, as shown and described.

DESCRIPTION

FIG. 1 is a top perspective view of a golf club head; FIG. 2 is a bottom perspective view of the golf club head of FIG. 1; FIG. 3 is a front elevational view of the golf club head of FIG. 1; FIG. 4 is a rear elevational view of the golf club head of FIG. 1; FIG. 5 is a top view of the golf club head of FIG. 1; FIG. 6 is a bottom view of the golf club head of FIG. 1; FIG. 7 is a left side view of the golf club head of FIG. 1; and, FIG. 8 is a right side view of the golf club head of FIG. 1. The broken lines shown in one or more of the figures are for illustrative purposes only and form no part of the claimed design.

1 Claim, 4 Drawing Sheets

- (56) **References Cited**
- U.S. PATENT DOCUMENTS
- 1,993,928 A 3/1935 Glover
- 2,041,676 A 5/1936 Gallagher
- D248,179 S 6/1978 Riley
- 4,139,196 A 2/1979 Riley
- 5,221,086 A 6/1993 Antonious
- 5,310,186 A 5/1994 Solheim
- 5,335,914 A 8/1994 Long
- D352,755 S 11/1994 Cornish, III
- D357,290 S 4/1995 Viollaz
- 5,547,188 A 8/1996 Dumontier
- D379,391 S 5/1997 Moore
- 5,658,206 A 8/1997 Antonious
- 5,795,245 A 8/1998 Chang
- D398,682 S 9/1998 Moore



(56)

References Cited

U.S. PATENT DOCUMENTS

| | | | | | |
|--------------|---------|-------------|-----------------|---------|--------------------------------|
| D442,245 S | 5/2001 | Roach | D570,940 S | 6/2008 | Chen |
| D445,470 S | 7/2001 | Teramoto | D570,941 S | 6/2008 | Chen |
| D446,268 S | 8/2001 | Satoh | D571,882 S | 6/2008 | Soracco |
| D446,563 S | 8/2001 | Besnard | D572,324 S | 7/2008 | Chen |
| D461,865 S | 8/2002 | Nagai | D572,782 S | 7/2008 | Sanchez |
| D463,838 S | 10/2002 | Besnard | D572,783 S | 7/2008 | Sanchez |
| D465,251 S | 11/2002 | Wood | D572,784 S | 7/2008 | Sanchez |
| 6,475,102 B2 | 11/2002 | Helmstetter | D572,785 S | 7/2008 | Chen |
| D469,141 S | 1/2003 | Poynor | D572,787 S | 7/2008 | Sanchez |
| D472,950 S | 4/2003 | Burnett | D572,791 S | 7/2008 | Jertson |
| D482,421 S | 11/2003 | Kessler | D573,213 S | 7/2008 | Sanchez |
| D490,489 S | 5/2004 | Madore | D573,214 S | 7/2008 | Sanchez |
| D492,745 S | 7/2004 | Tang | D573,215 S | 7/2008 | Sanchez |
| D502,976 S | 3/2005 | Nishitani | D573,216 S | 7/2008 | Sanchez |
| D508,544 S | 8/2005 | Madore | D573,217 S | 7/2008 | Sanchez |
| D509,272 S | 9/2005 | Smith | D573,218 S | 7/2008 | Sanchez |
| 6,939,247 B1 | 9/2005 | Schweigert | D573,674 S | 7/2008 | Sanchez |
| D513,424 S | 1/2006 | Erickson | D573,675 S | 7/2008 | Sanchez |
| D514,179 S | 1/2006 | Chen | D573,676 S | 7/2008 | Chen |
| 6,988,960 B2 | 1/2006 | Mahaffey | D573,678 S | 7/2008 | Kawami |
| D518,129 S | 3/2006 | Poynor | D574,046 S | 7/2008 | Chen |
| D518,543 S | 4/2006 | Aguinaldo | D574,048 S | 7/2008 | Kadoya |
| D521,093 S | 5/2006 | Jorgensen | D574,049 S | 7/2008 | Kadoya |
| D522,077 S | 5/2006 | Schweigert | D574,050 S | 7/2008 | Jones |
| D522,601 S | 6/2006 | Schweigert | 7,396,296 B2 | 7/2008 | Evans |
| D523,103 S | 6/2006 | Hocknell | D574,456 S * | 8/2008 | Chen et al. D21/759 |
| D523,498 S | 6/2006 | Chen | D578,587 S | 10/2008 | Hoffman |
| D523,502 S | 6/2006 | Jorgensen | D579,066 S | 10/2008 | Dipert |
| D526,694 S | 8/2006 | Schweigert | D579,067 S | 10/2008 | Hoffman |
| D529,111 S | 9/2006 | Cleveland | D580,504 S | 11/2008 | Bosilkovski |
| D530,761 S | 10/2006 | Evans | D583,432 S | 12/2008 | Serrano |
| D532,473 S | 11/2006 | Chen | D587,772 S | 3/2009 | Ferguson |
| D532,474 S | 11/2006 | Bennett | D588,217 S | 3/2009 | Jertson |
| D532,854 S | 11/2006 | Oldknow | D588,220 S | 3/2009 | Ferguson |
| D535,343 S | 1/2007 | Chen | D588,659 S | 3/2009 | Jertson |
| D536,049 S | 1/2007 | Evans | D589,576 S | 3/2009 | Kadoya |
| D537,139 S | 2/2007 | Breier | 7,503,854 B2 | 3/2009 | Galloway |
| D537,495 S | 2/2007 | Schweigert | D591,810 S | 5/2009 | Murphy |
| D537,496 S | 2/2007 | Serrano | D591,817 S | 5/2009 | Murphy |
| D537,895 S | 3/2007 | Breier | D591,818 S | 5/2009 | Roberts |
| D538,363 S | 3/2007 | Schweigert | D594,518 S * | 6/2009 | Schweigert D21/747 |
| D538,371 S | 3/2007 | Kawami | D594,521 S * | 6/2009 | Jertson et al. D21/759 |
| D538,866 S | 3/2007 | Kim | D594,919 S | 6/2009 | Schweigert |
| D538,867 S | 3/2007 | Cleveland | D595,381 S | 6/2009 | Waggoner |
| D539,371 S | 3/2007 | Chen et al. | D596,252 S | 7/2009 | Jertson |
| D541,364 S | 4/2007 | Barez | D598,062 S | 8/2009 | Dipert |
| D550,318 S | 9/2007 | Oldknow | D600,297 S | 9/2009 | Jertson |
| D550,799 S | 9/2007 | Lin | D603,472 S | 11/2009 | Schweigert |
| D552,198 S | 10/2007 | Schweigert | D603,919 S | 11/2009 | Gray |
| D553,206 S | 10/2007 | Morales | D604,376 S | 11/2009 | Darley |
| D555,745 S | 11/2007 | Rollinson | D609,293 S | 2/2010 | Williams |
| D557,362 S | 12/2007 | Serrano | D609,294 S | 2/2010 | Oldknow |
| D557,363 S | 12/2007 | Jertson | D611,555 S | 3/2010 | Oldknow |
| D558,287 S | 12/2007 | Jertson | D612,005 S | 3/2010 | Oldknow |
| D558,288 S | 12/2007 | Jertson | D613,805 S | 4/2010 | Sutovsky et al. |
| D561,286 S | 2/2008 | Morales | D161,375 S | 6/2010 | Schweigert |
| D562,421 S | 2/2008 | Jertson | D618,747 S | 6/2010 | Schweigert |
| 7,326,472 B2 | 2/2008 | Shimazaki | D618,753 S | 6/2010 | Jertson |
| D563,498 S | 3/2008 | Jertson | D618,754 S * | 6/2010 | Schweigert et al. D21/759 |
| D564,054 S | 3/2008 | Jertson | 7,892,111 B2 | 2/2011 | Morales |
| D564,055 S | 3/2008 | Jertson | D635,626 S * | 4/2011 | Nicolette D21/759 |
| D564,056 S | 3/2008 | Chen | D638,896 S * | 5/2011 | Schweigert et al. D21/759 |
| D566,214 S | 4/2008 | Evans | D642,643 S * | 8/2011 | Nicolette et al. D21/759 |
| D567,317 S | 4/2008 | Jertson | D647,585 S | 10/2011 | Jertson |
| D567,891 S | 4/2008 | Serrano | D661,751 S | 6/2012 | Nicolette |
| D569,933 S | 5/2008 | Jertson | D661,752 S | 6/2012 | Stokke |
| D569,934 S | 5/2008 | Jertson | D661,756 S | 6/2012 | Nicolette |
| D569,935 S | 5/2008 | Schweigert | D661,757 S | 6/2012 | Stokke |
| D569,936 S | 5/2008 | Schweigert | D669,948 S * | 10/2012 | Sakamoto D21/752 |
| D569,937 S | 5/2008 | Sanchez | D669,949 S * | 10/2012 | Sakamoto D21/752 |
| D569,938 S | 5/2008 | Sanchez | 2005/0043117 A1 | 2/2005 | Gilbert |
| D570,937 S | 6/2008 | Schweigert | 2008/0039228 A1 | 2/2008 | Breier |
| D570,938 S | 6/2008 | Jertson | 2008/0171612 A1 | 7/2008 | Serrano |
| D570,939 S | 6/2008 | Chen | 2008/0188322 A1 | 8/2008 | Anderson |
| | | | 2009/0275419 A1 | 11/2009 | Cackett |

* cited by examiner

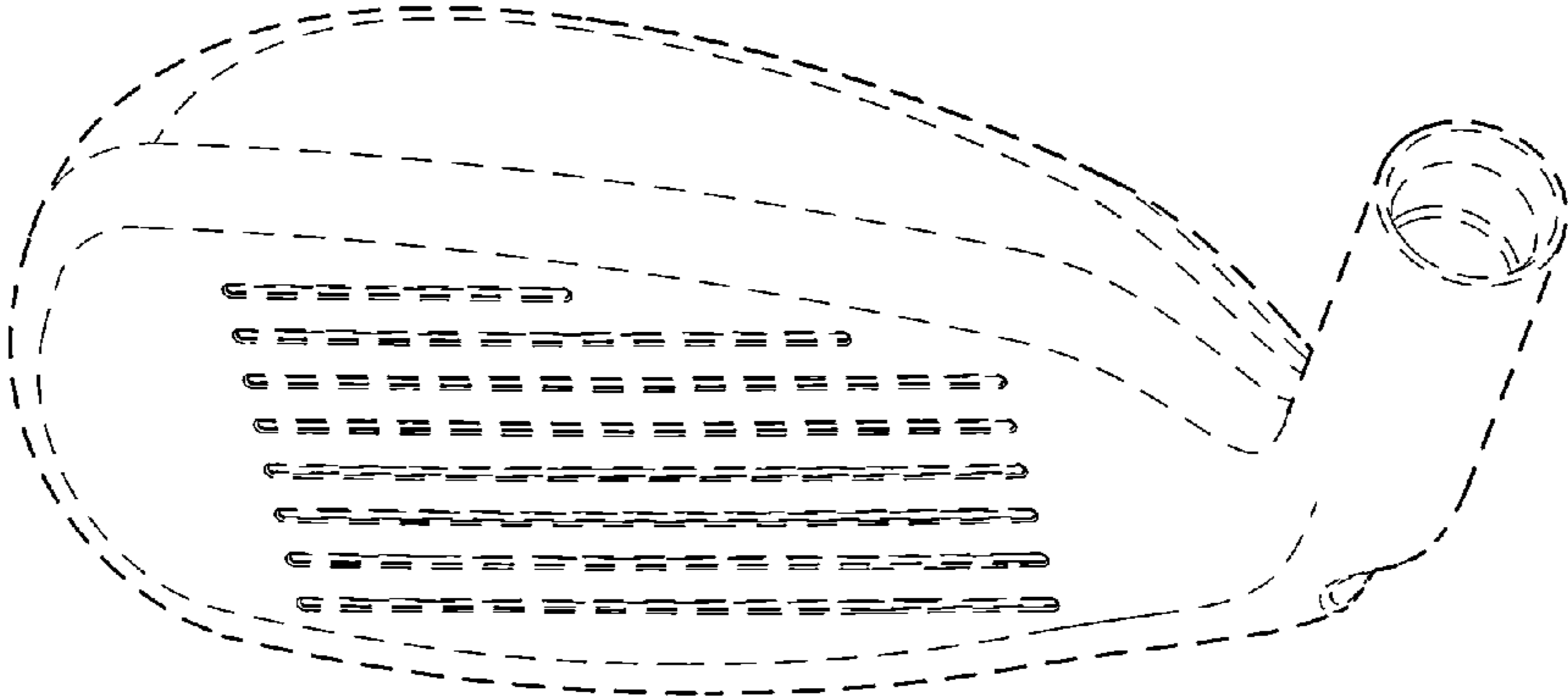


Fig. 1

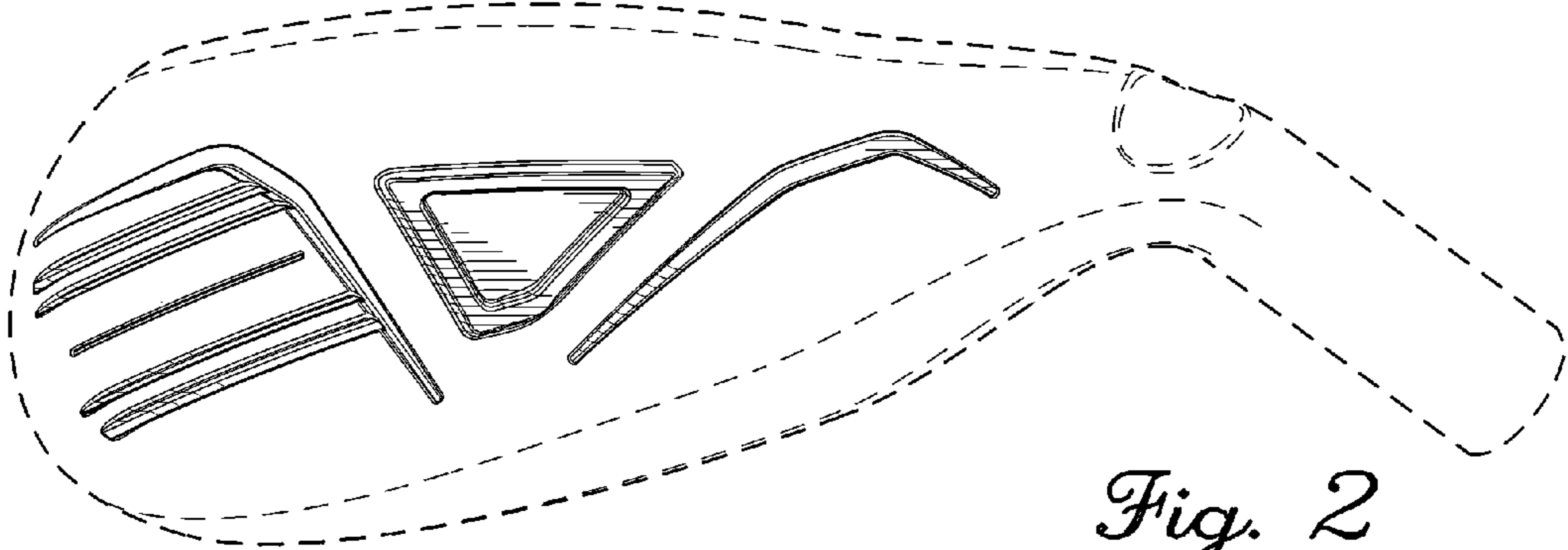


Fig. 2

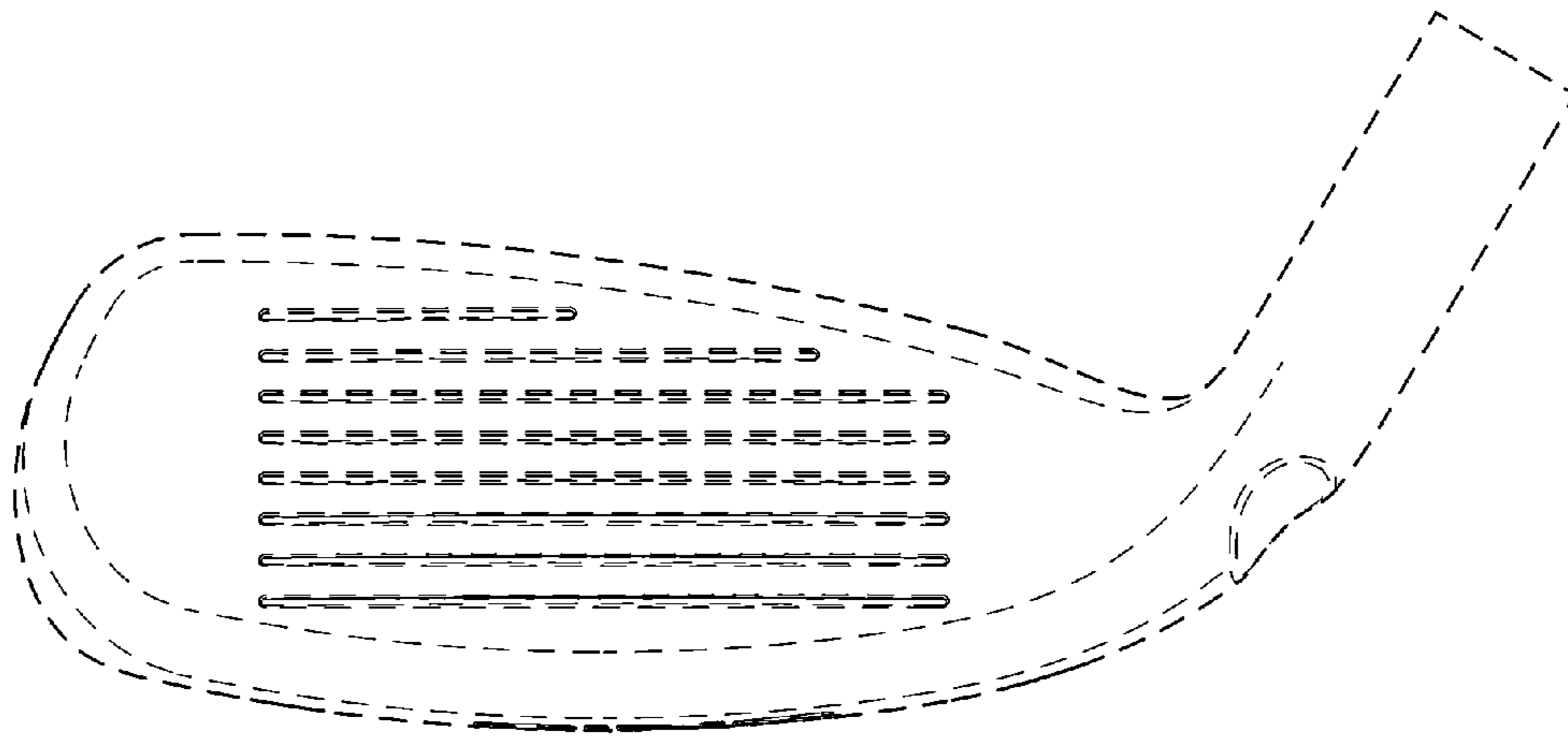


Fig. 3

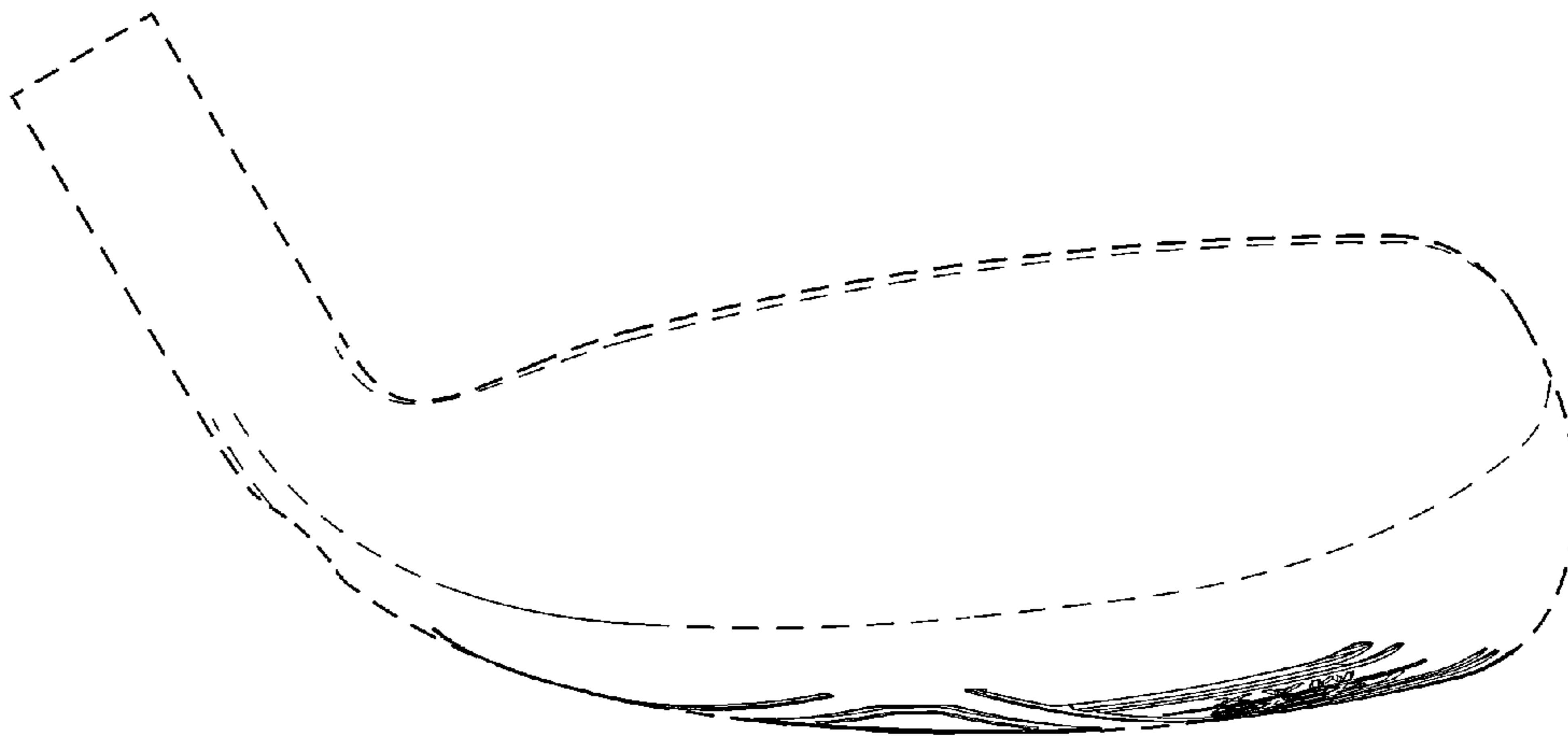


Fig. 4

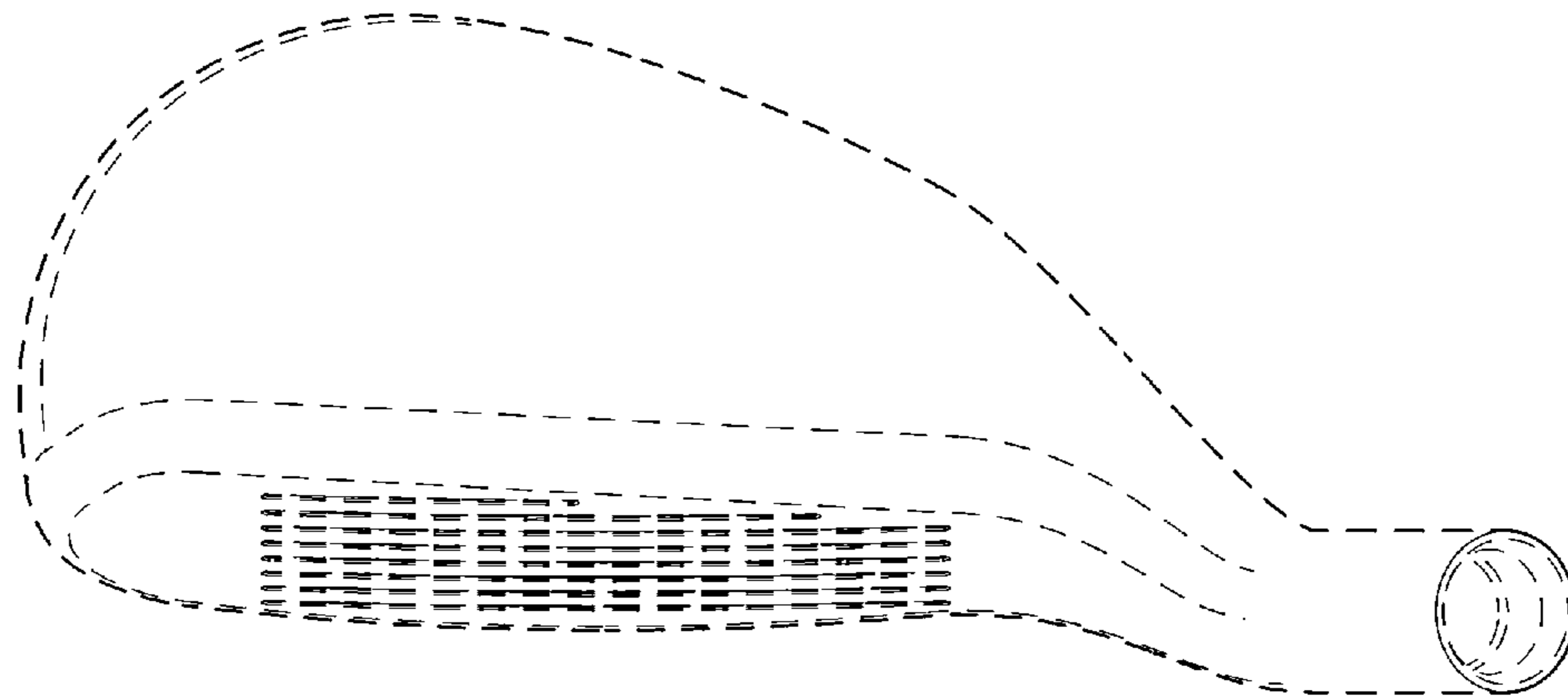


Fig. 5

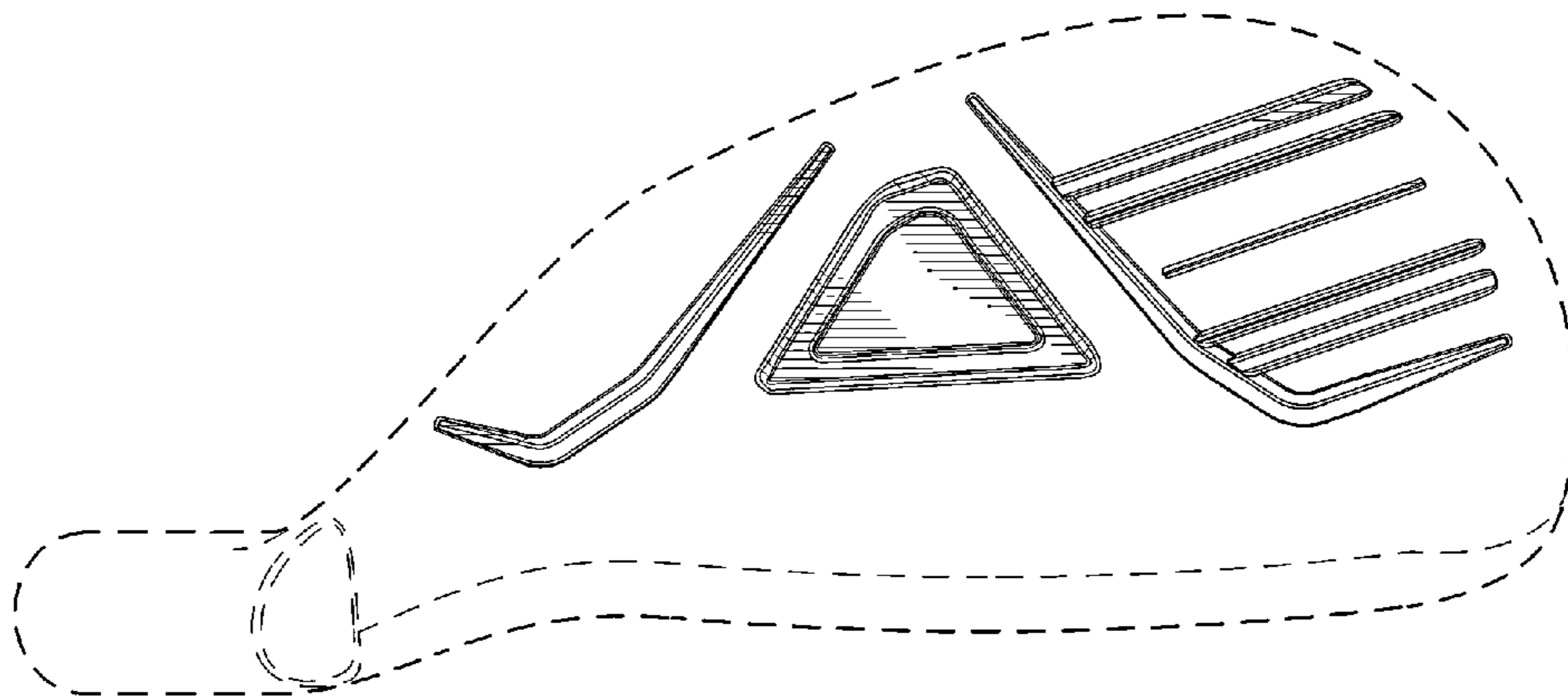


Fig. 6

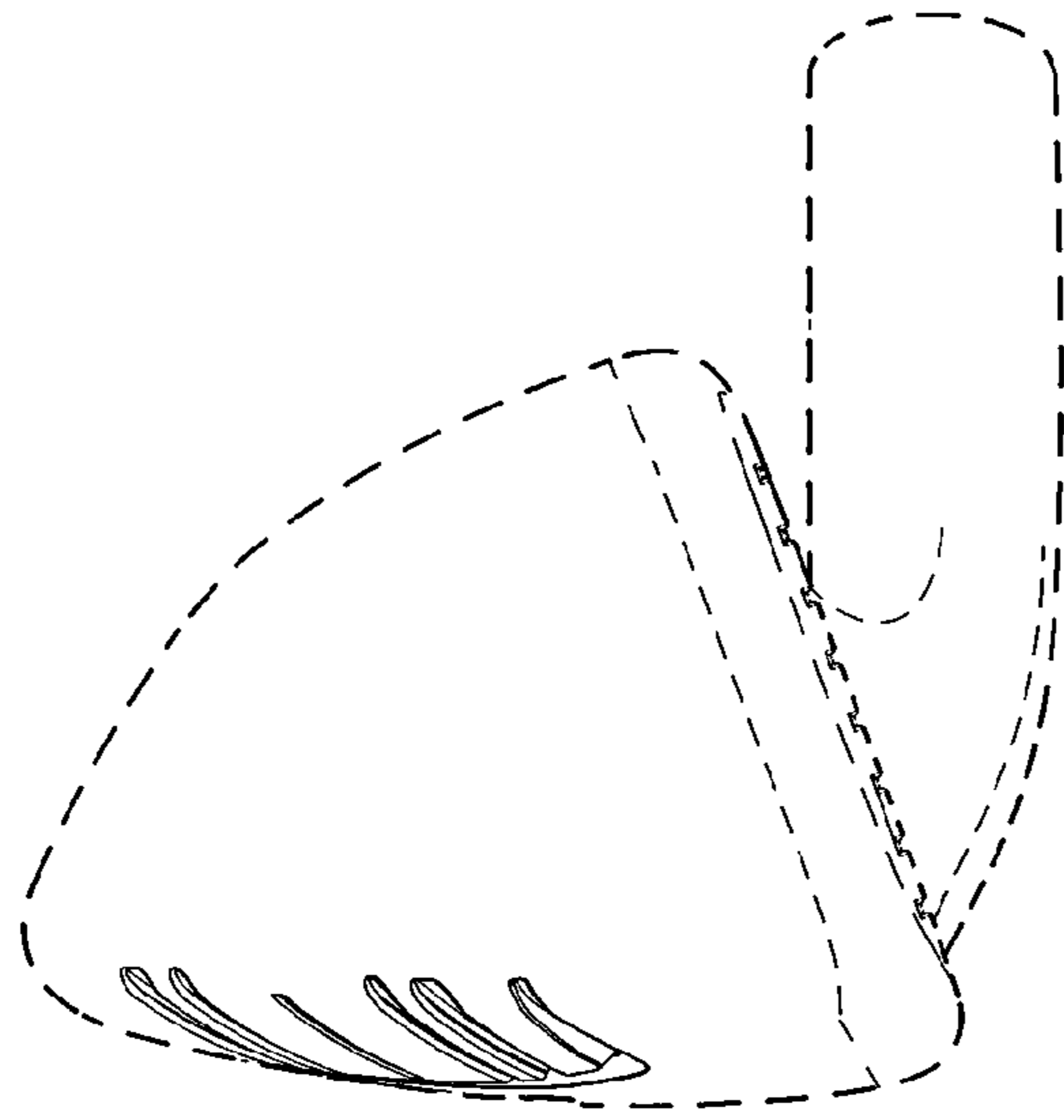


Fig. 7

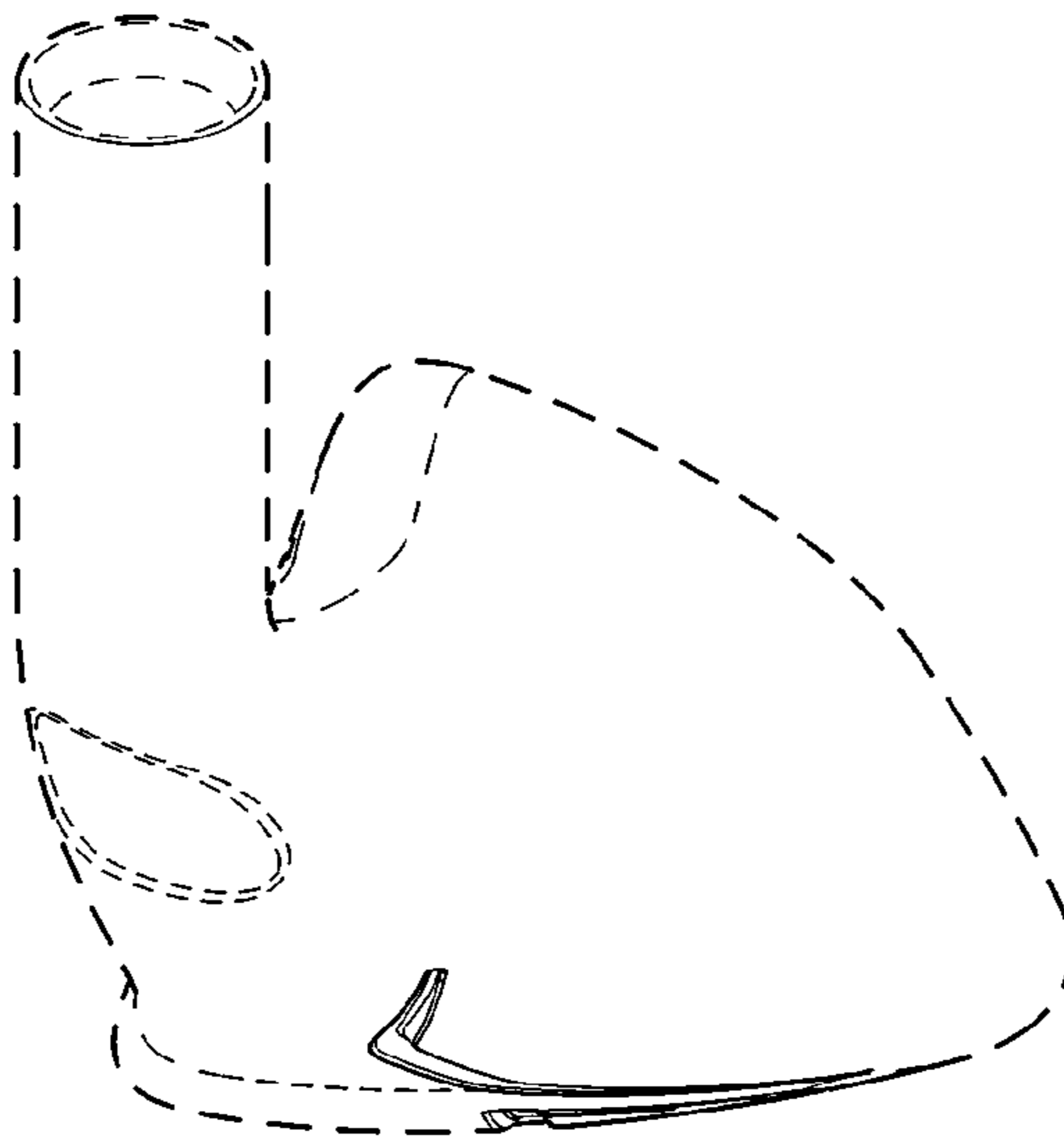


Fig. 8