



US00D689153S

(12) **United States Design Patent**  
**Brinkley et al.**

(10) **Patent No.:** **US D689,153 S**  
(45) **Date of Patent:** **\*\* Sep. 3, 2013**

(54) **FIXTURE ADAPTED FOR USE WITH A STABILITY BALL**

(76) Inventors: **Joseph Heath Brinkley**, Valencia, CA (US); **Richard Beau Daniels**, Chatsworth, CA (US)

(\*\*) Term: **14 Years**

(21) Appl. No.: **29/429,349**

(22) Filed: **Aug. 9, 2012**

(51) **LOC (9) Cl.** ..... **21-02**

(52) **U.S. Cl.**  
USPC ..... **D21/662**

(58) **Field of Classification Search**  
USPC ..... D21/662, 670, 671, 686, 688, 691, D21/694, 797-798; 482/49, 51, 91, 93, 95, 482/111, 132, 140-142, 146-148  
See application file for complete search history.

D564,604	S *	3/2008	Mikail	.....	D21/688
7,588,522	B2 *	9/2009	Heitzman	.....	482/142
7,604,581	B1	10/2009	Williams		
7,678,027	B2	3/2010	Sanghavi		
D635,204	S *	3/2011	Taylor et al.	.....	D21/662
8,267,845	B2 *	9/2012	Taylor et al.	.....	482/140
8,292,790	B2 *	10/2012	Signorile et al.	.....	482/142
2005/0227838	A1 *	10/2005	Friesen	.....	482/148
2009/0325770	A1 *	12/2009	Baschnagel	.....	482/142
2010/0331154	A1	12/2010	Taylor et al.		
2011/0111934	A1	5/2011	Taylor et al.		
2013/0085045	A1 *	4/2013	Chavez et al.	.....	482/93

\* cited by examiner

*Primary Examiner* — Susan E Krakower

(74) *Attorney, Agent, or Firm* — Patent Law & Venture Group; Gene Scott

(57) **CLAIM**

The ornamental design for a fixture adapted for use with a stability ball, as shown and described.

**DESCRIPTION**

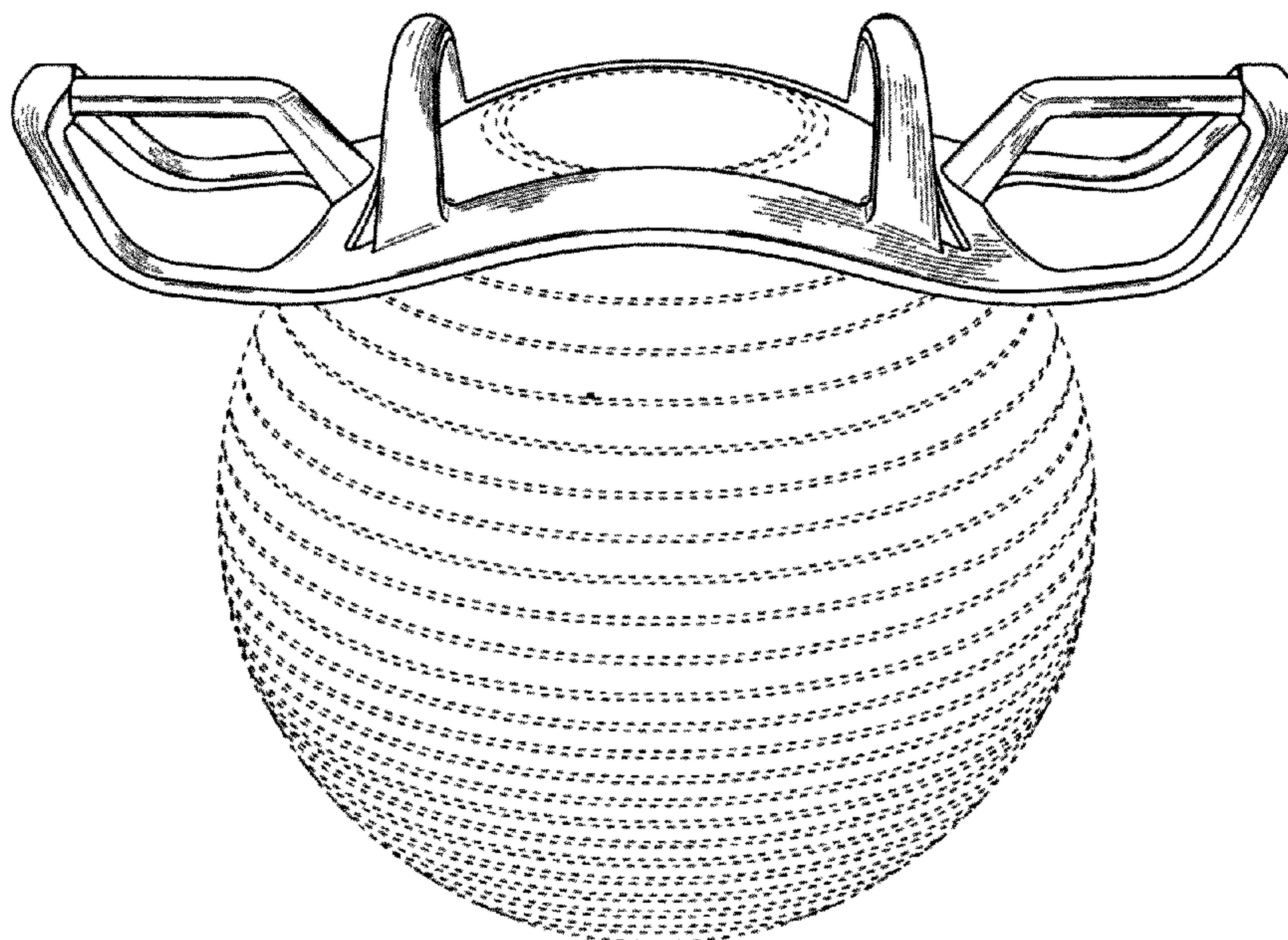
FIG. 1 is a perspective view of a fixture adapted for use with a stability ball showing my new design; FIG. 2 is a second perspective view thereof; FIG. 3 is a first end elevational view thereof, the opposite second end elevational view being a mirror image of the first end elevational view; FIG. 4 is a top plan view thereof; and, FIG. 5 is a bottom plan view thereof. The broken lines showing a stability ball in FIG. 1 illustrate environmental structure and form no part of the claimed design.

**1 Claim, 3 Drawing Sheets**

(56) **References Cited**

U.S. PATENT DOCUMENTS

2,115,926	A	5/1938	Hatton		
D189,826	S *	2/1961	Katz	.....	D21/670
3,427,022	A *	2/1969	Ward	.....	482/111
D237,897	S *	12/1975	England	.....	D21/688
5,242,348	A	9/1993	Bates		
5,735,776	A *	4/1998	Swezey et al.	.....	482/91
6,068,580	A *	5/2000	Myers et al.	.....	482/93
6,461,284	B1 *	10/2002	Francavilla	.....	482/142
6,652,421	B1 *	11/2003	Chen	.....	482/49
D494,233	S	8/2004	Kerry		
D498,799	S	11/2004	Kerry		
D507,026	S *	7/2005	Chen	.....	D21/671
D509,548	S *	9/2005	Heitzman et al.	.....	D21/662
D552,696	S *	10/2007	Hallar	.....	D21/662





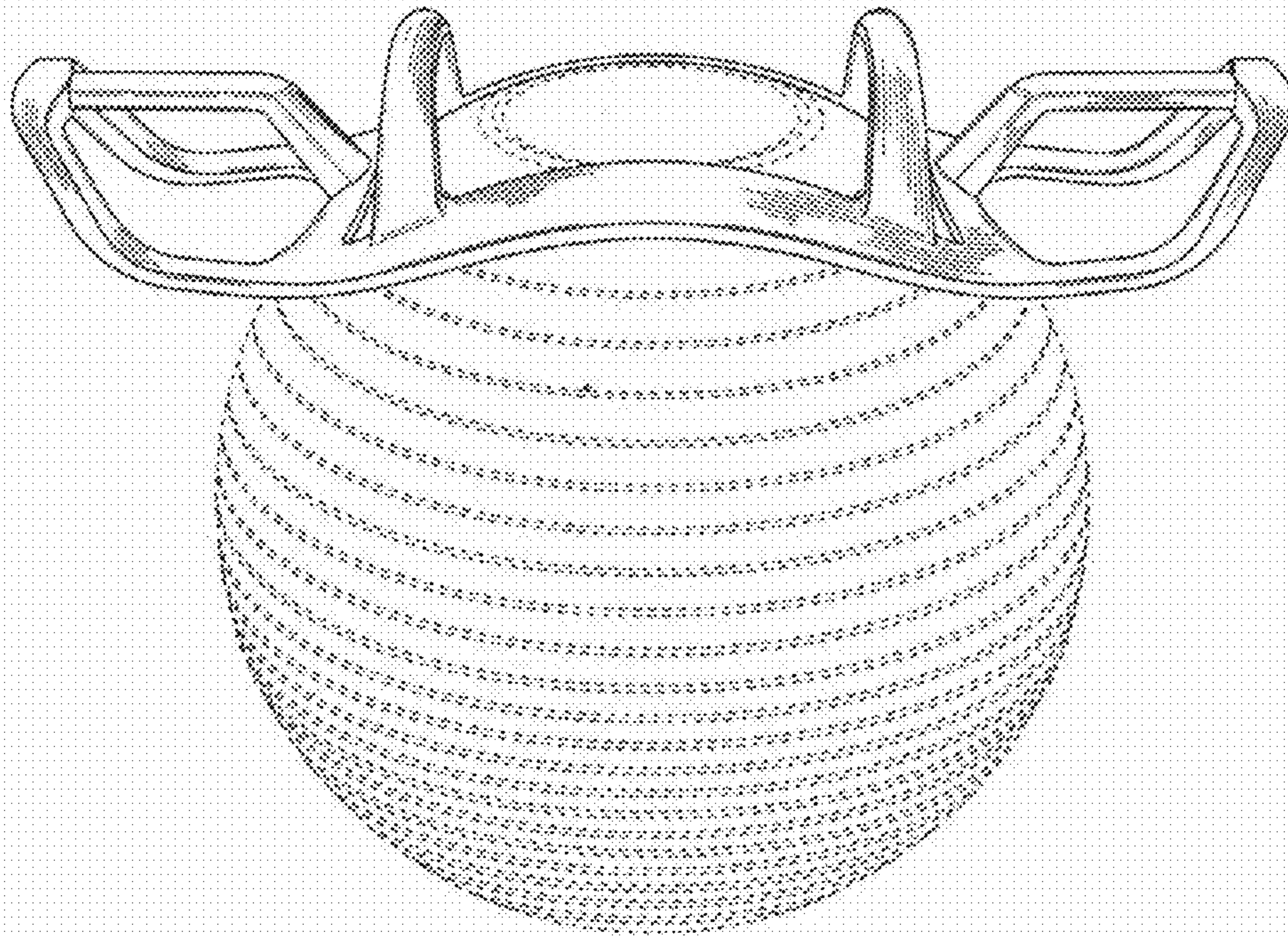


FIG. 1

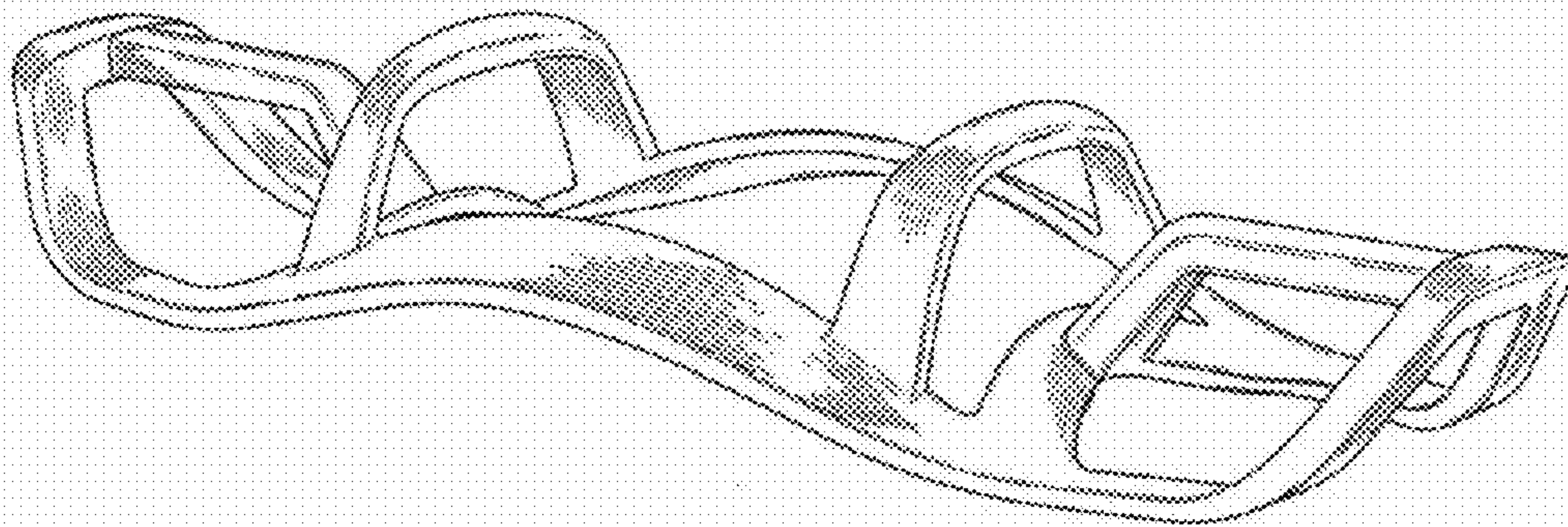


FIG. 2



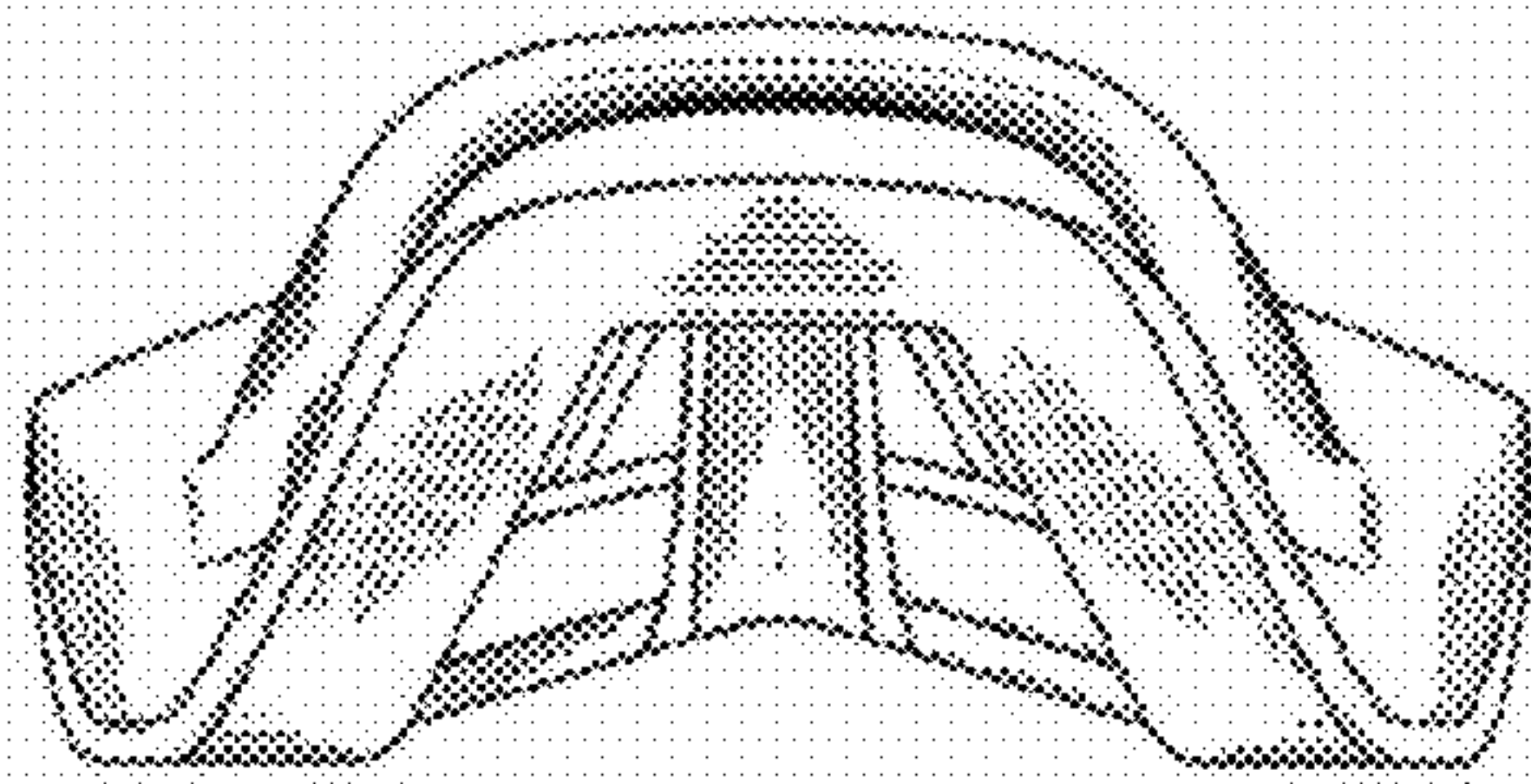


FIG. 3

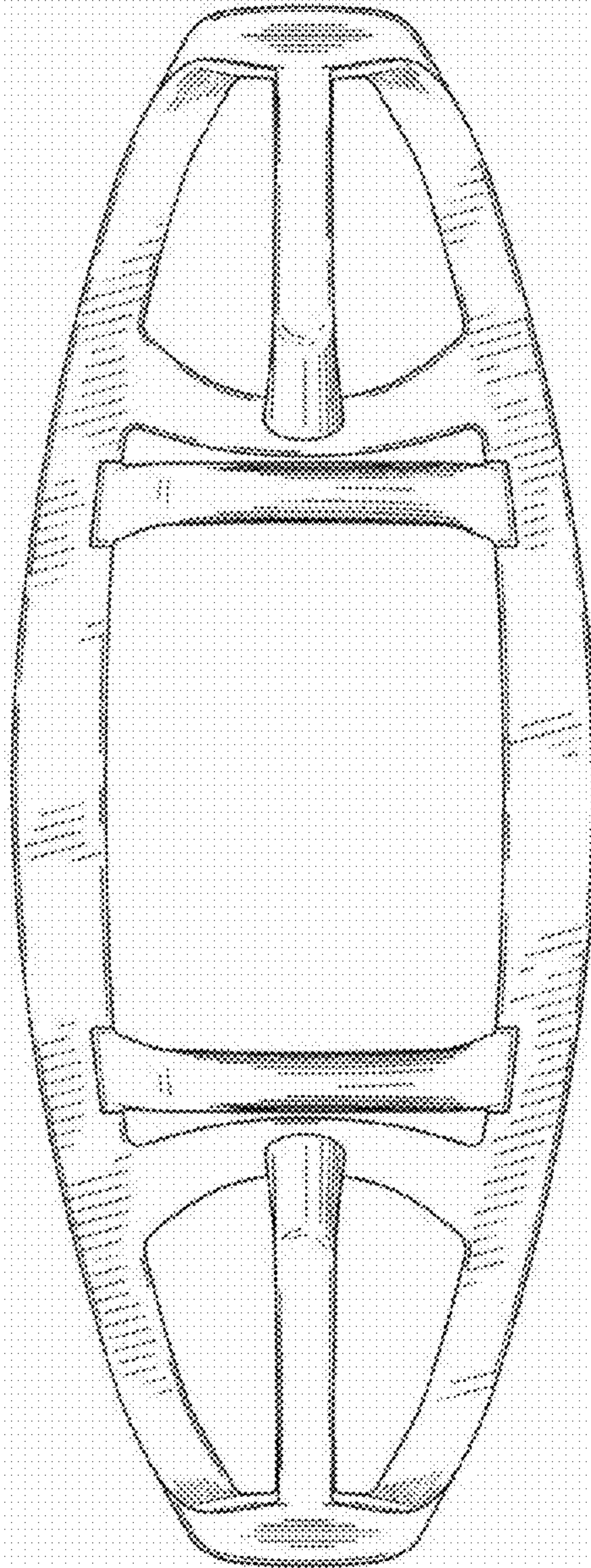


FIG. 4

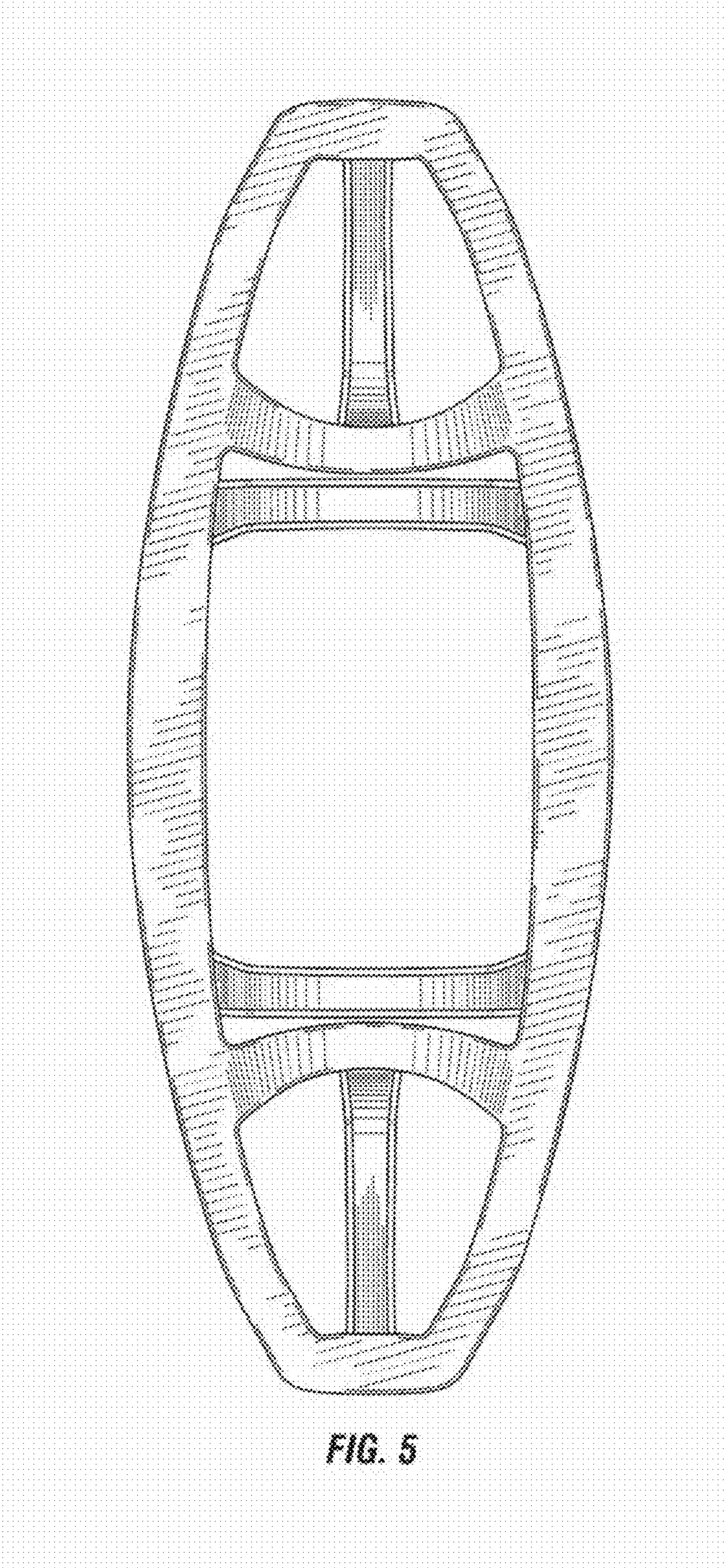


FIG. 5