



US00D689151S

(12) **United States Design Patent**  
**Mimlitch, III et al.**

(10) **Patent No.:** **US D689,151 S**

(45) **Date of Patent:** **\*\* Sep. 3, 2013**

(54) **TOY FIGURE WITH ATTACHMENTS**

D583,882 S \* 12/2008 Domingues ..... D21/585

\* cited by examiner

(75) Inventors: **Robert H. Mimlitch, III**, Rowlett, TX (US); **David A. Norman**, Greenville, TX (US); **Douglas Michael Galletti**, Allen, TX (US); **Jeffrey Russell Waegelin**, Rockwall, TX (US); **Gregory Needel**, Rockwall, TX (US); **Raul Olivera**, Greenville, TX (US)

*Primary Examiner* — Sandra Morris  
(74) *Attorney, Agent, or Firm* — Adam K. Sacharoff

(57) **CLAIM**

The ornamental design for a toy figure with attachments, as shown and described.

**DESCRIPTION**

(73) Assignee: **Innovation First, Inc.**, Greenville, TX (US)

FIG. 1 is a front top perspective view showing a first embodiment of the toy figure with attachments illustrating the attachments connected to the toy figure;

(\*\*) Term: **14 Years**

FIG. 2 is a back top perspective view of FIG. 1;

(21) Appl. No.: **29/426,517**

FIG. 3 is a bottom front perspective view of FIG. 1;

(22) Filed: **Jul. 6, 2012**

FIG. 4 is a bottom back perspective view of FIG. 1;

(51) **LOC (9) Cl.** ..... **21-01**

FIG. 5 is a left side view of FIG. 1;

(52) **U.S. Cl.**

FIG. 6 is a right side view of FIG. 1;

USPC ..... **D21/578**; D21/650

FIG. 7 is a top side view of FIG. 1;

(58) **Field of Classification Search**

FIG. 8 is a bottom side view of FIG. 1;

USPC ..... D21/533, 576–585, 650; 446/72,

FIG. 9 is a front side view of FIG. 1;

446/97, 268–269, 321, 356, 376–377, 487

FIG. 10 is a back side view of FIG. 1;

See application file for complete search history.

FIG. 11 is a front top perspective view showing a second embodiment of the toy figure with attachments illustrating the attachments in a unconnected position;

(56) **References Cited**

**U.S. PATENT DOCUMENTS**

D479,288 S *	9/2003	Nakase	.....	D21/578
6,652,352 B1 *	11/2003	MacArthur et al.	.....	446/356
6,866,557 B2 *	3/2005	Randall	.....	446/356
D507,606 S *	7/2005	Nakase	.....	D21/578
D555,213 S *	11/2007	Bowen et al.	.....	D21/578

FIG. 12 is a bottom front perspective view of FIG. 11;

FIG. 13 is a top perspective view of FIG. 11;

FIG. 14 is a bottom side view of FIG. 11;

FIG. 15 is a left side view of FIG. 11;

FIG. 16 is a right side view of FIG. 11;

FIG. 17 is a front side view of FIG. 11; and,

FIG. 18 is a back side view of FIG. 11.

**1 Claim, 18 Drawing Sheets**

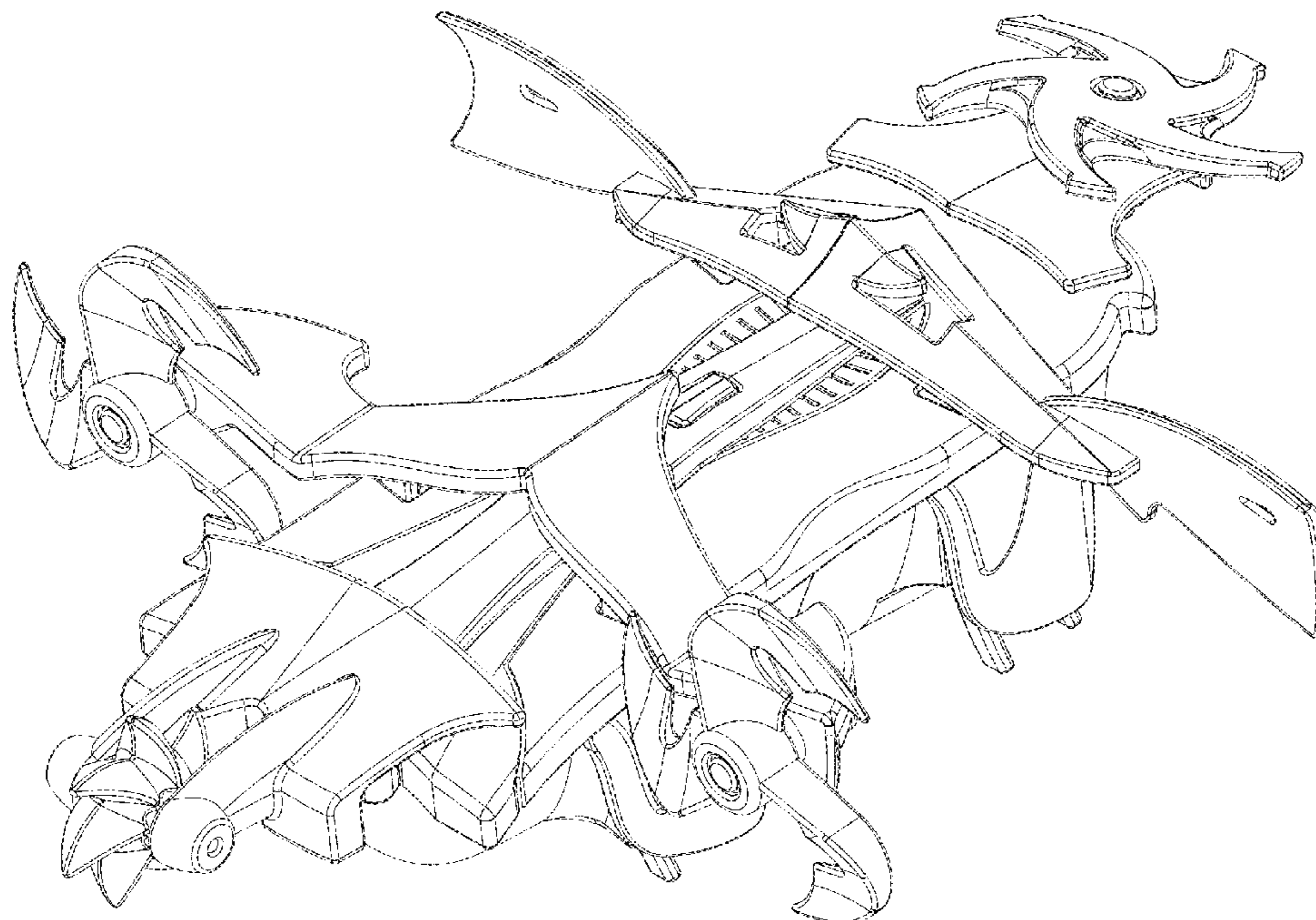




FIGURE 1



FIGURE 2

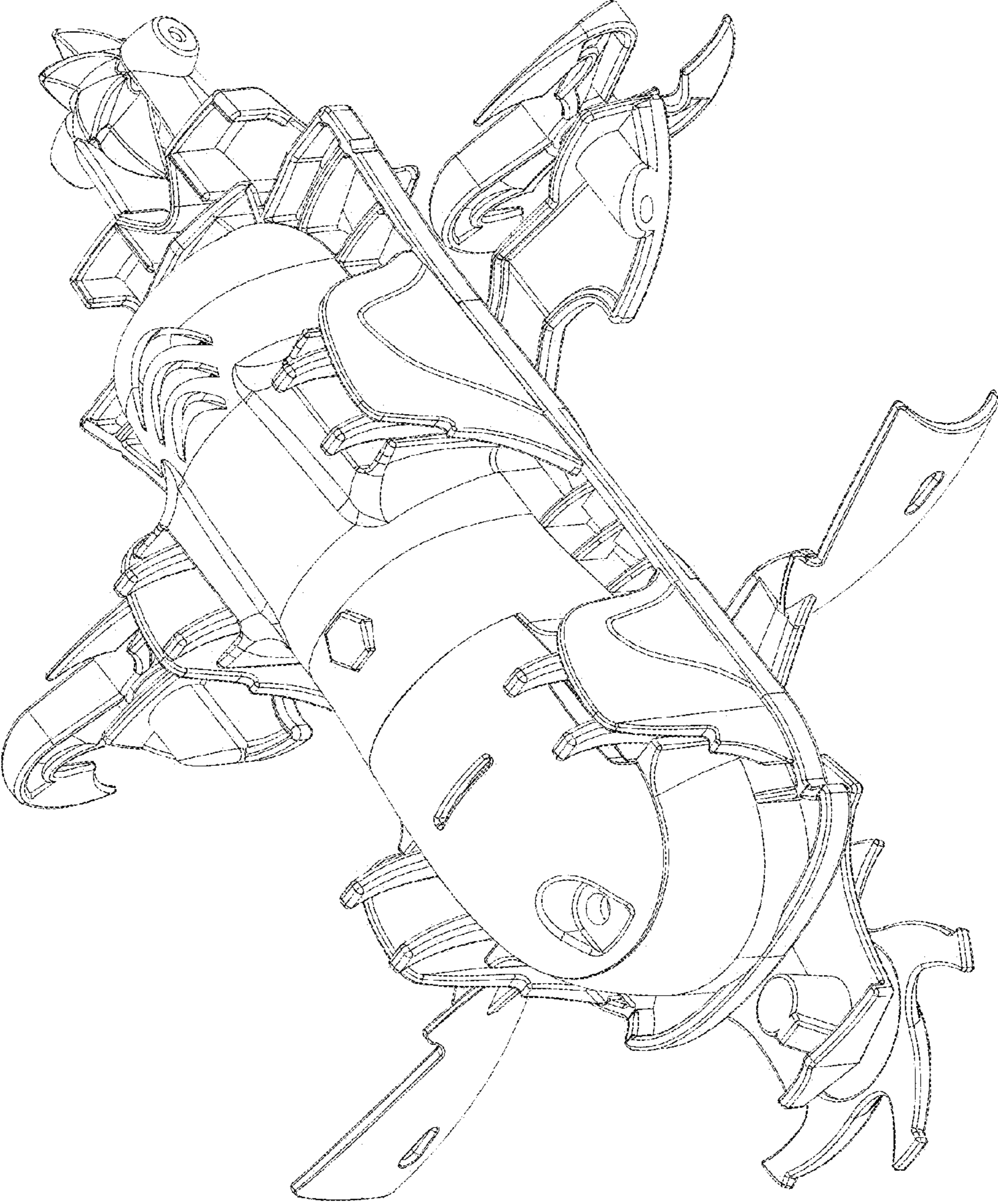


FIGURE 3

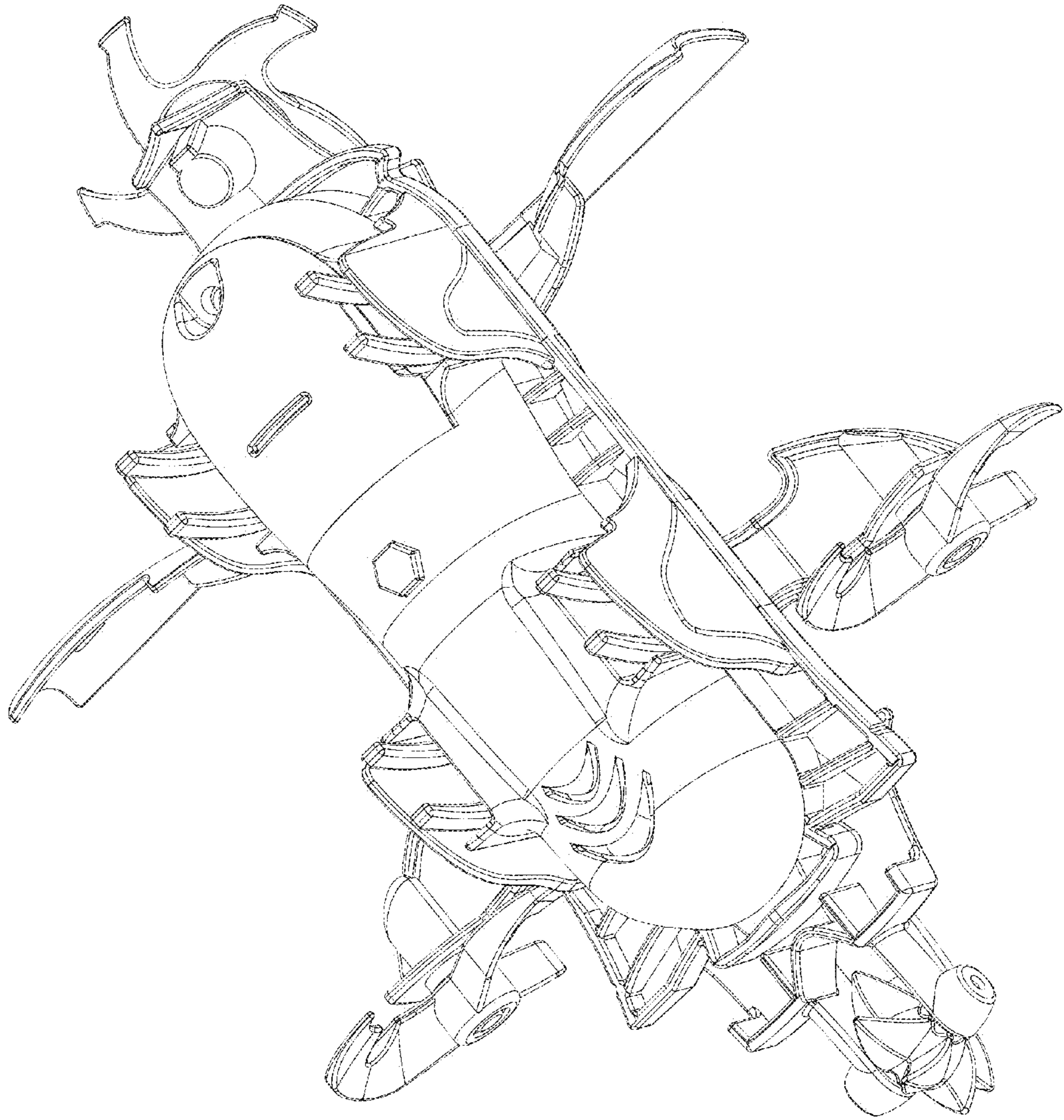


FIGURE 4

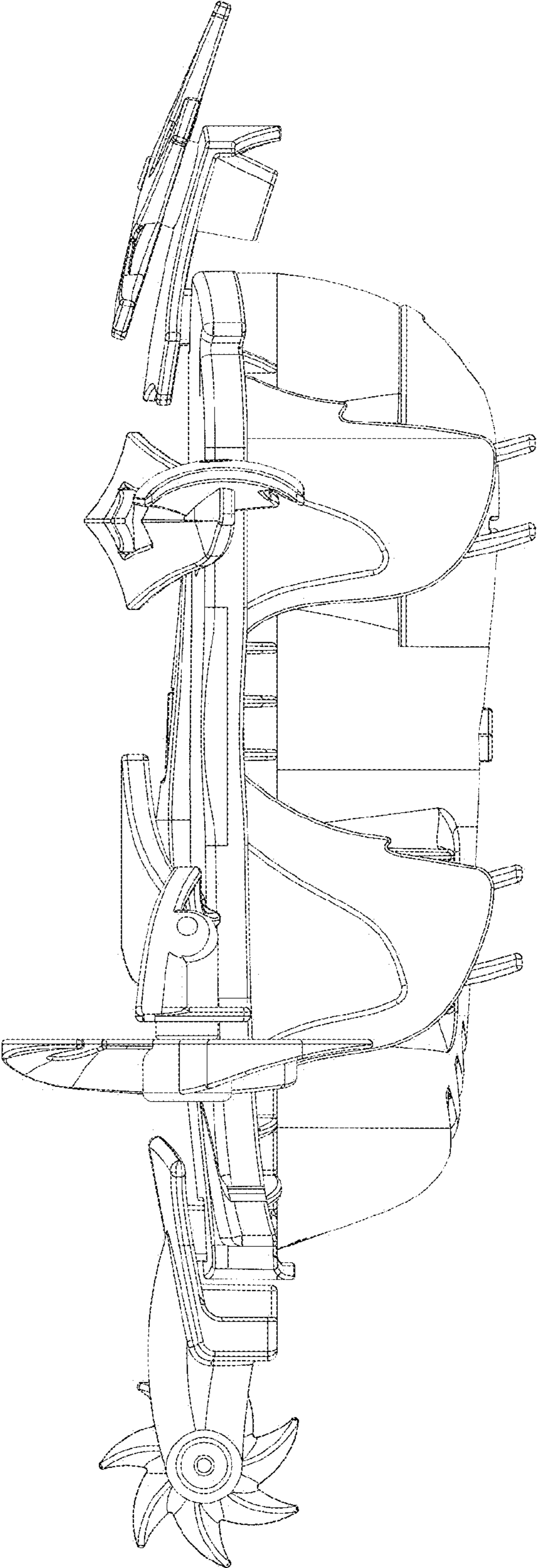


FIGURE 5

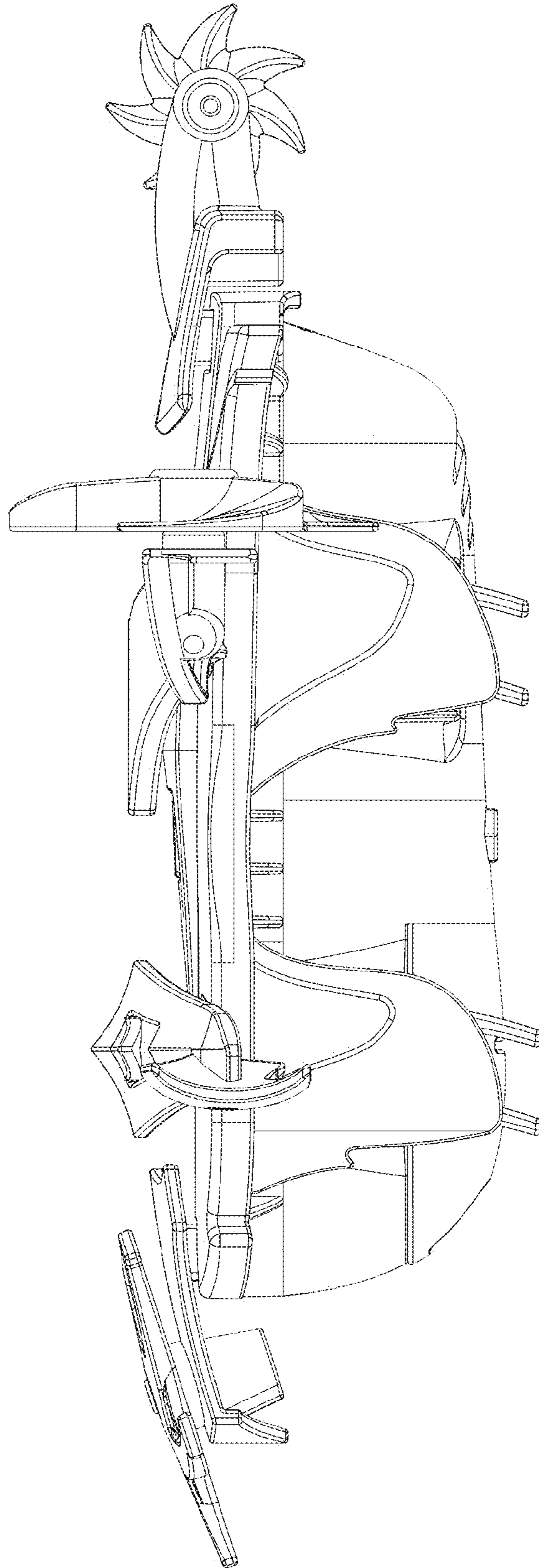


FIGURE 6

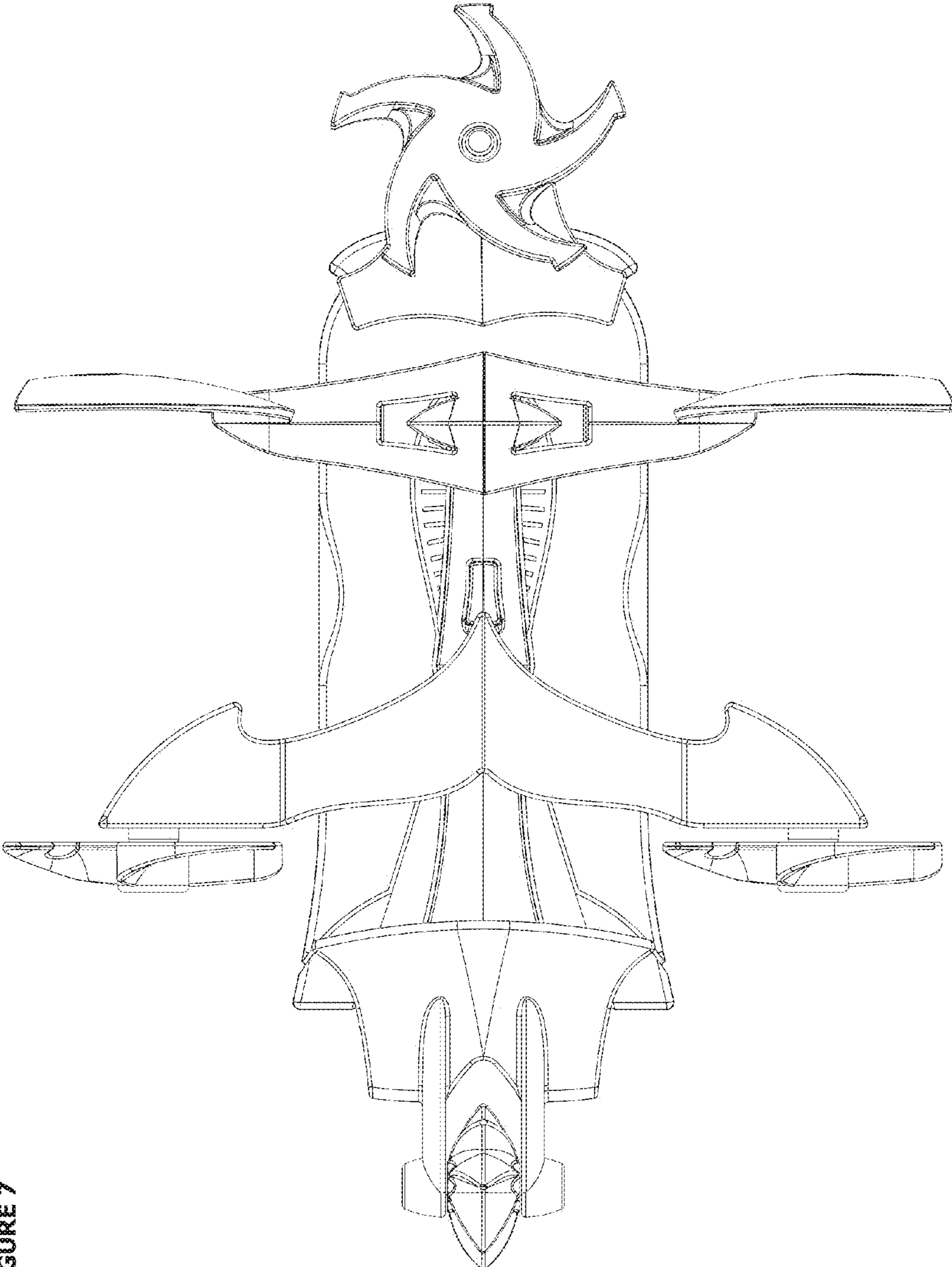


FIGURE 7



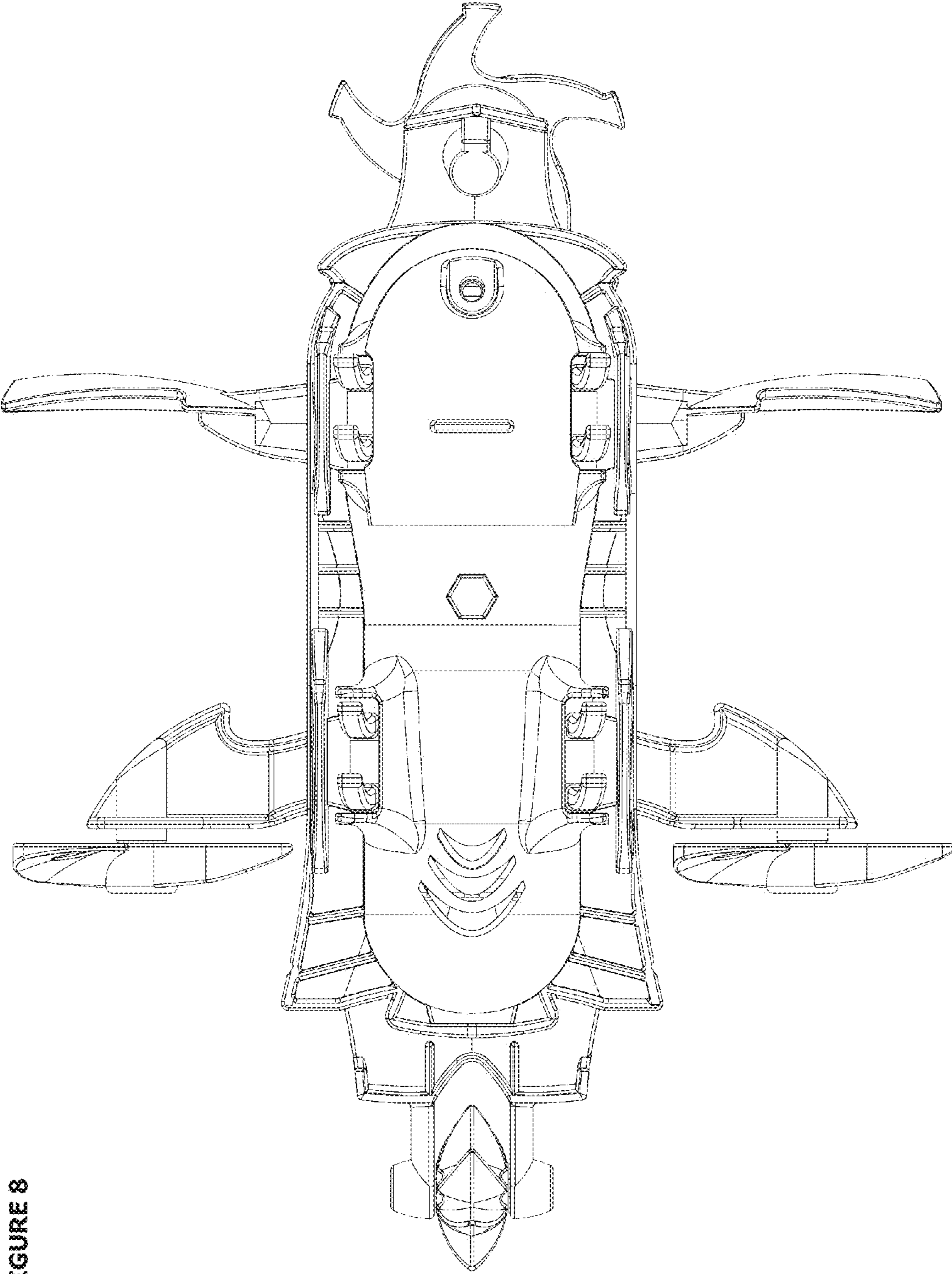


FIGURE 8

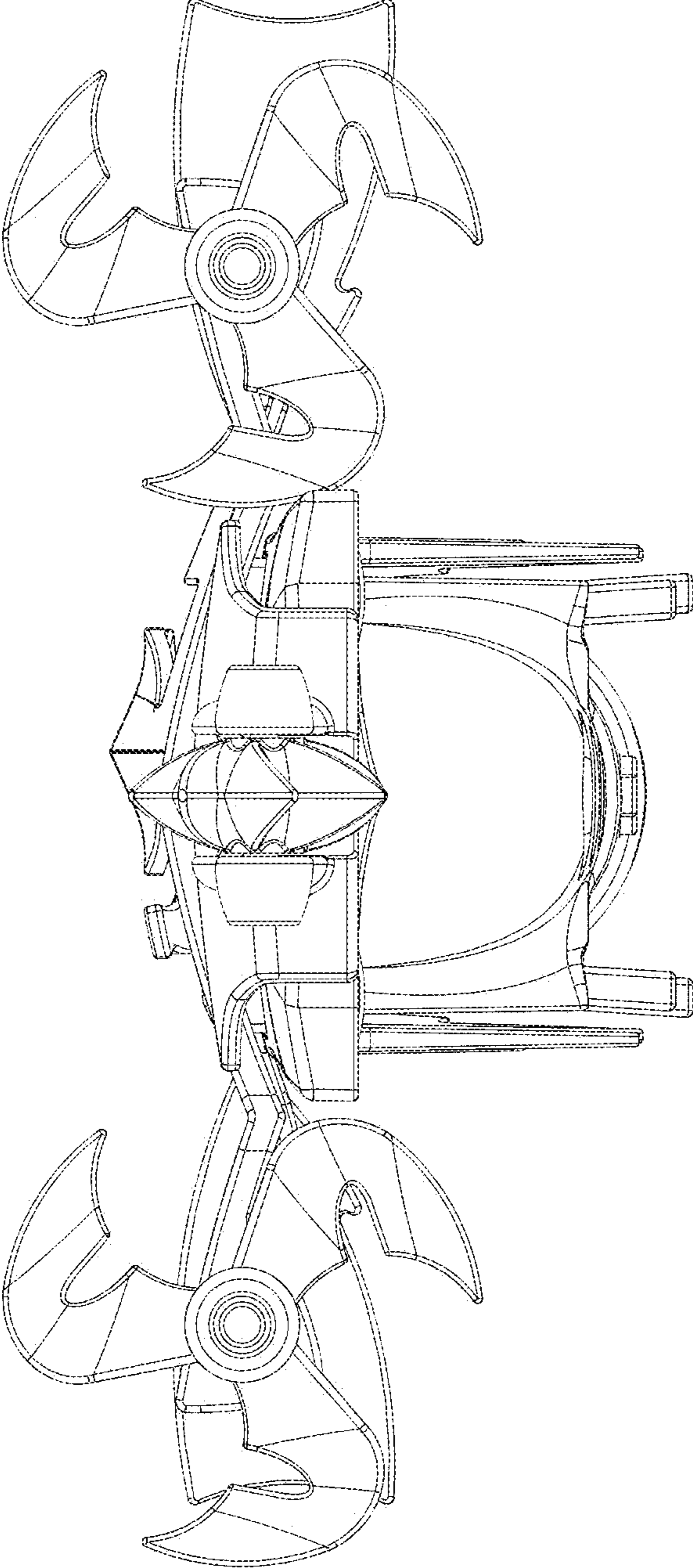


FIGURE 9

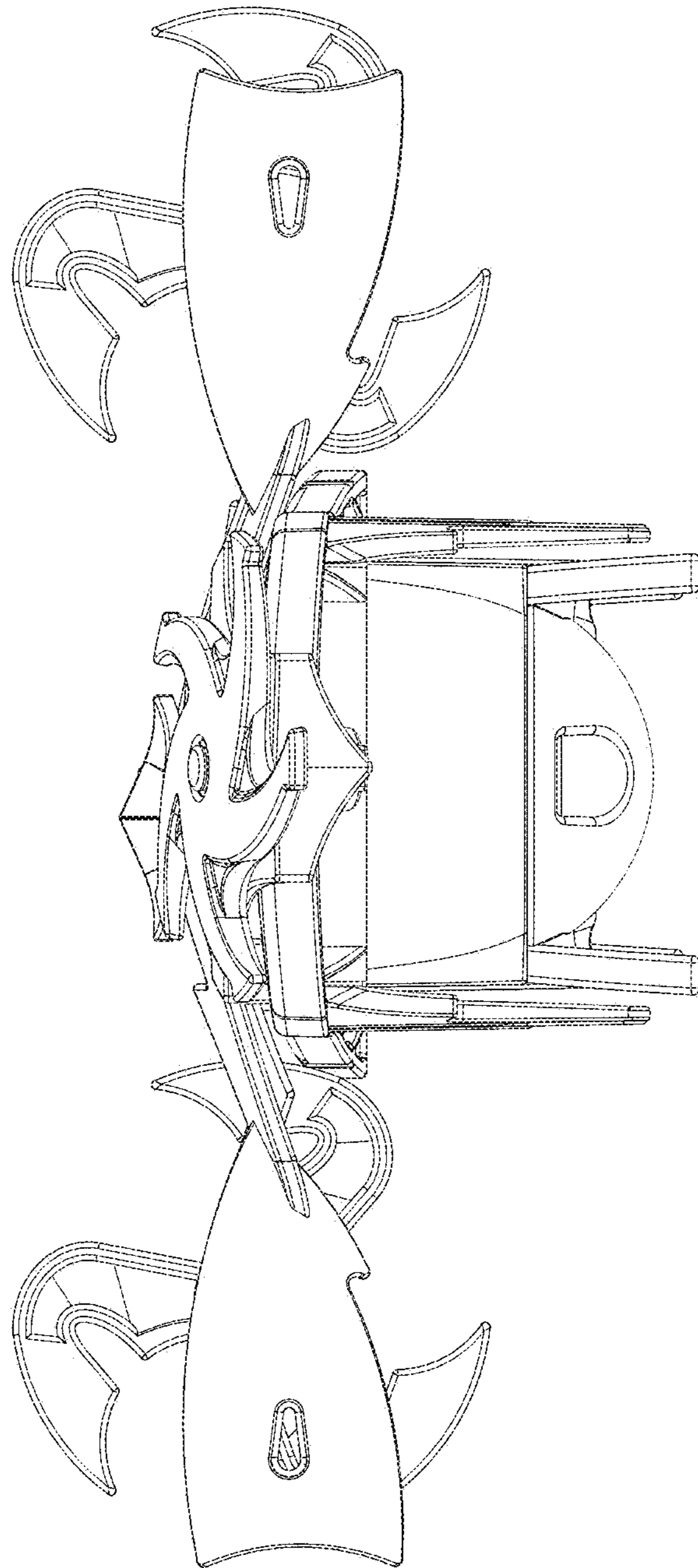


FIGURE 10

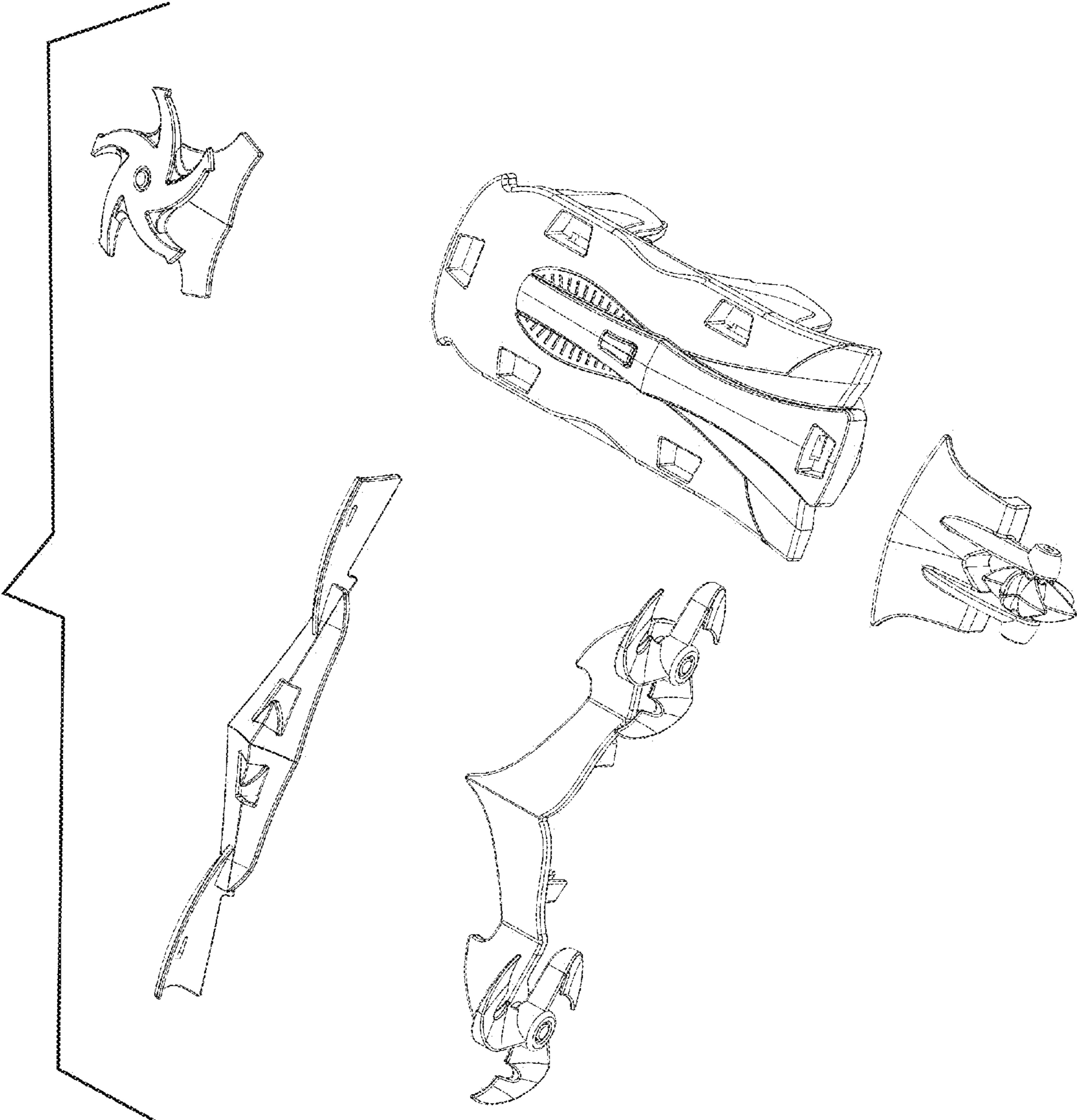


FIGURE 11

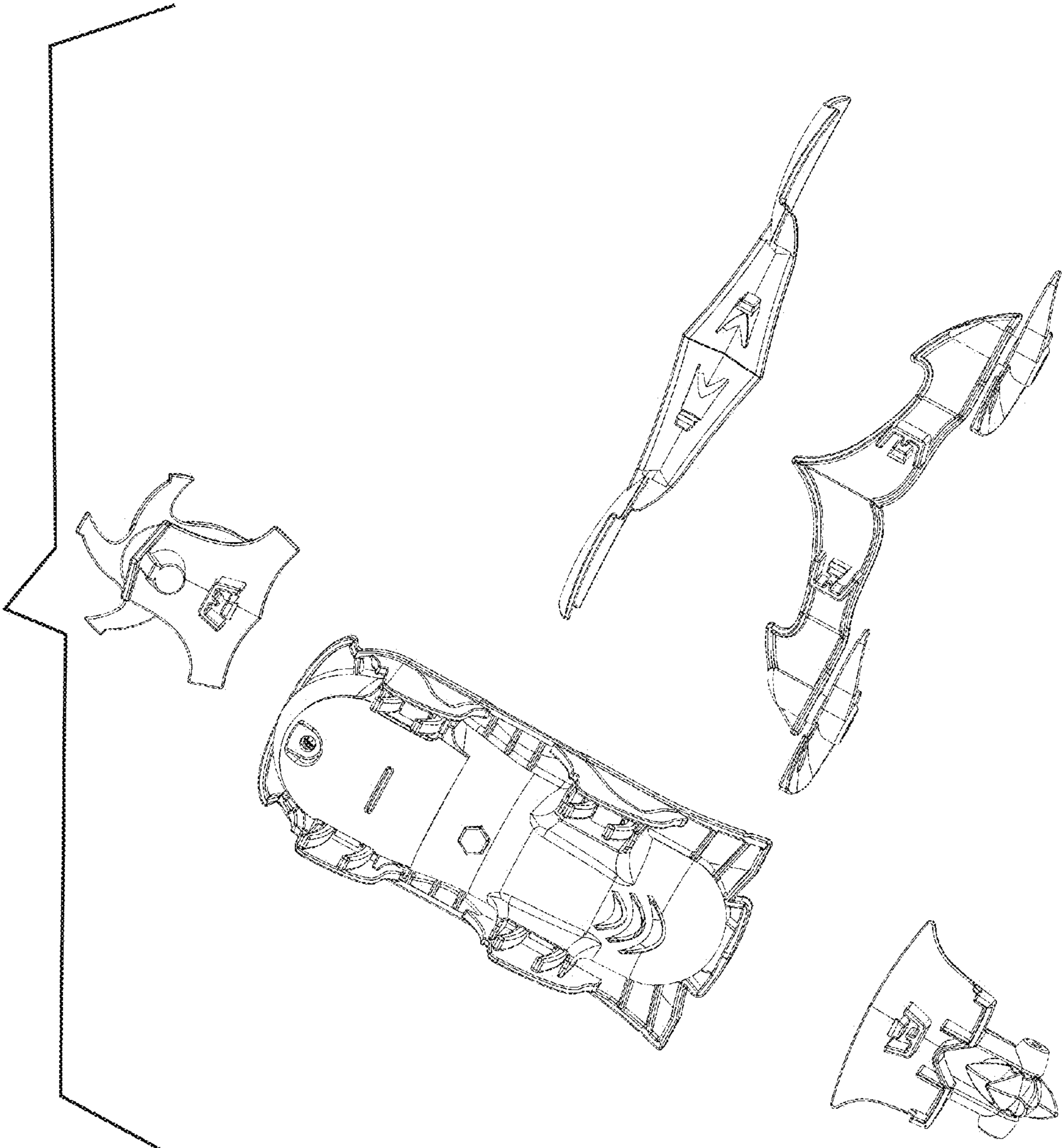
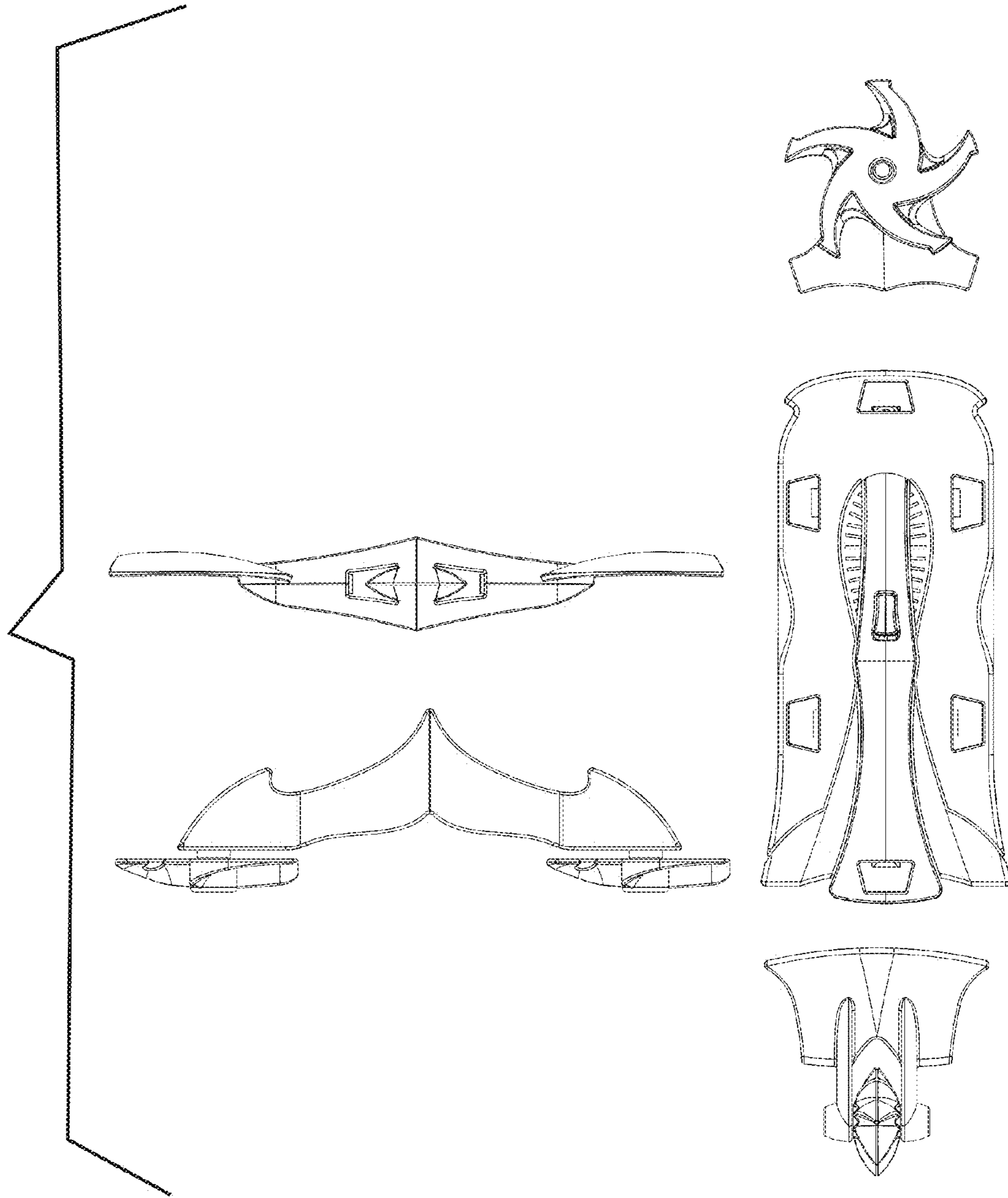


FIGURE 12



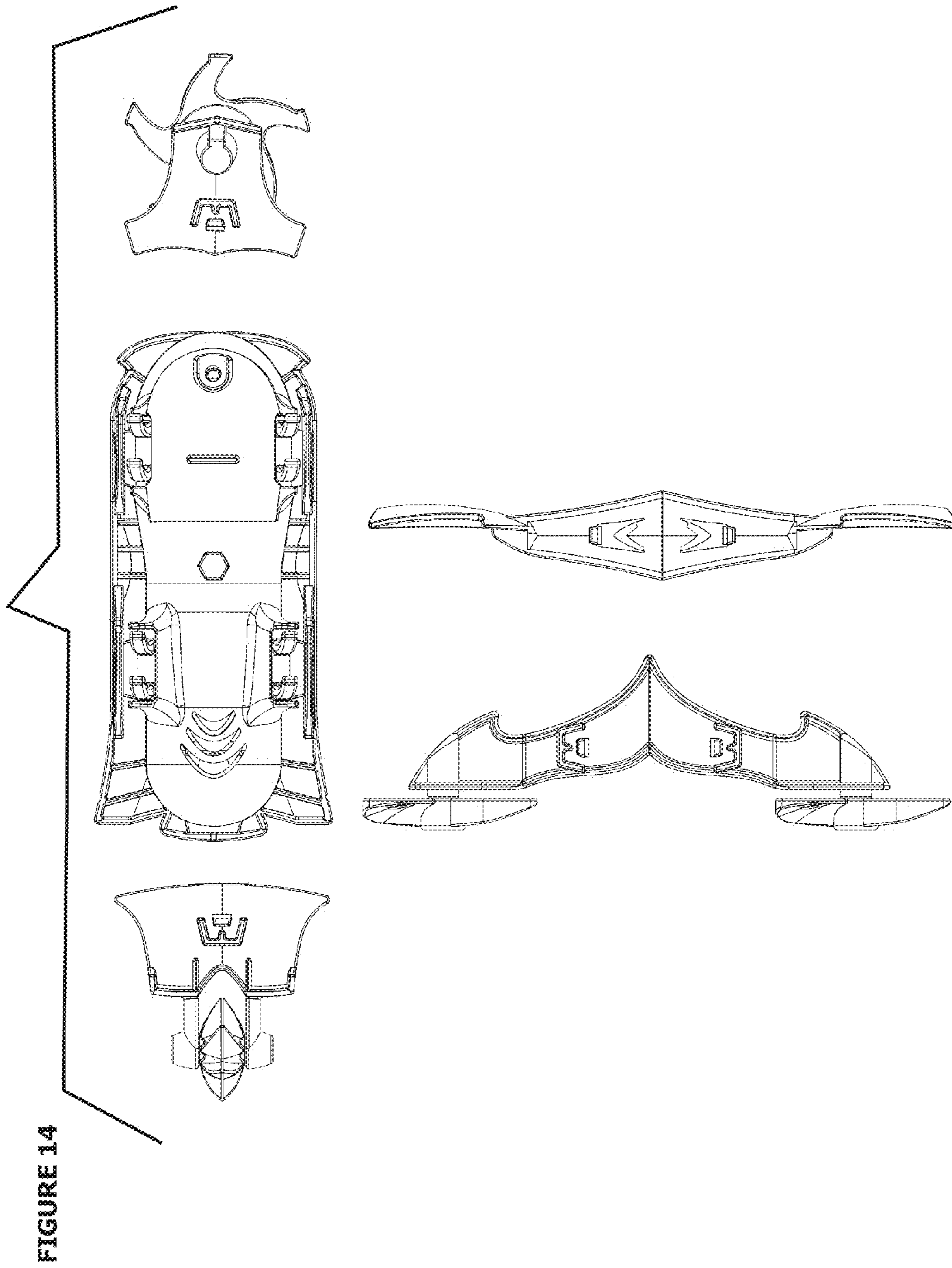


FIGURE 15

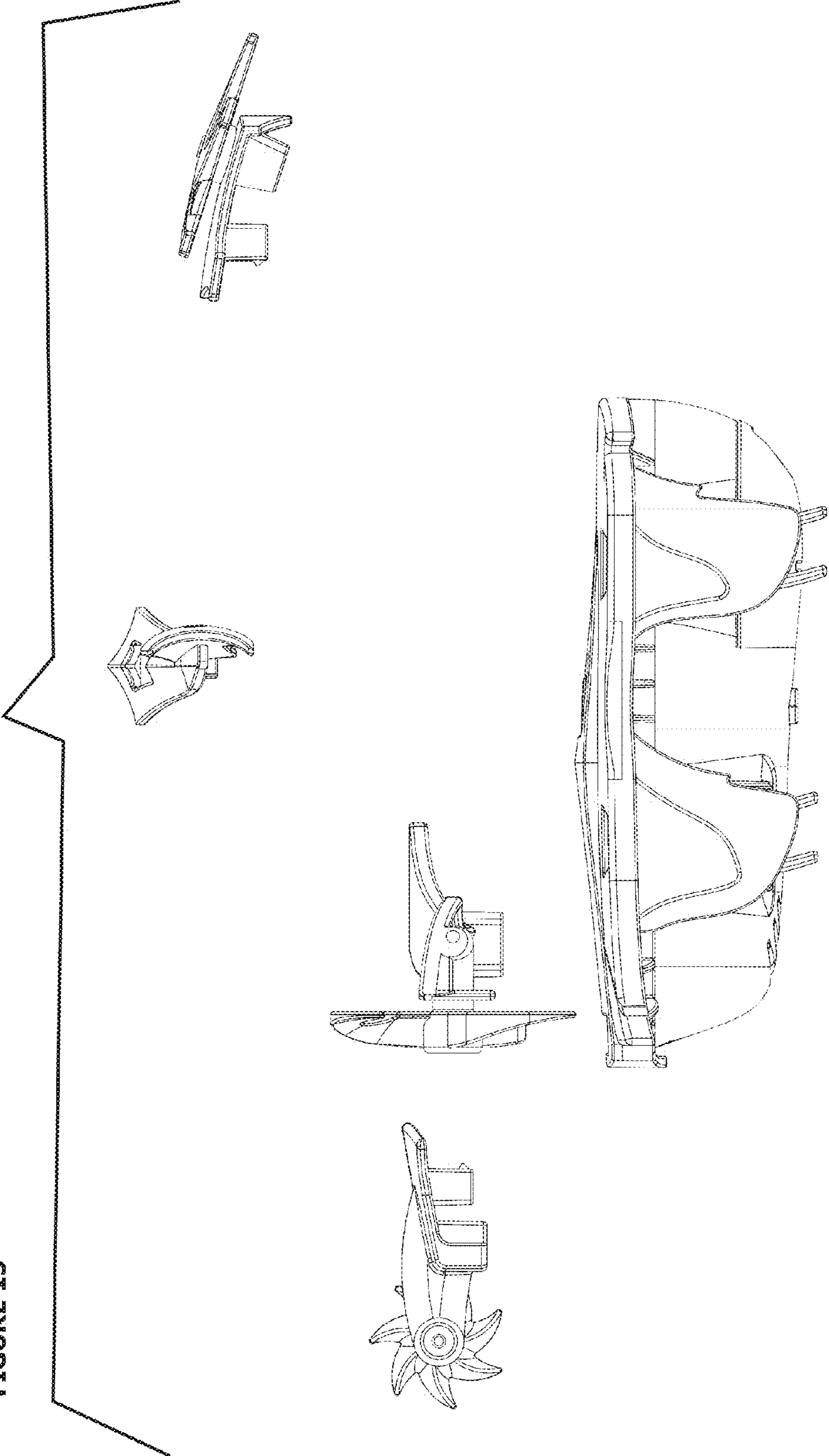
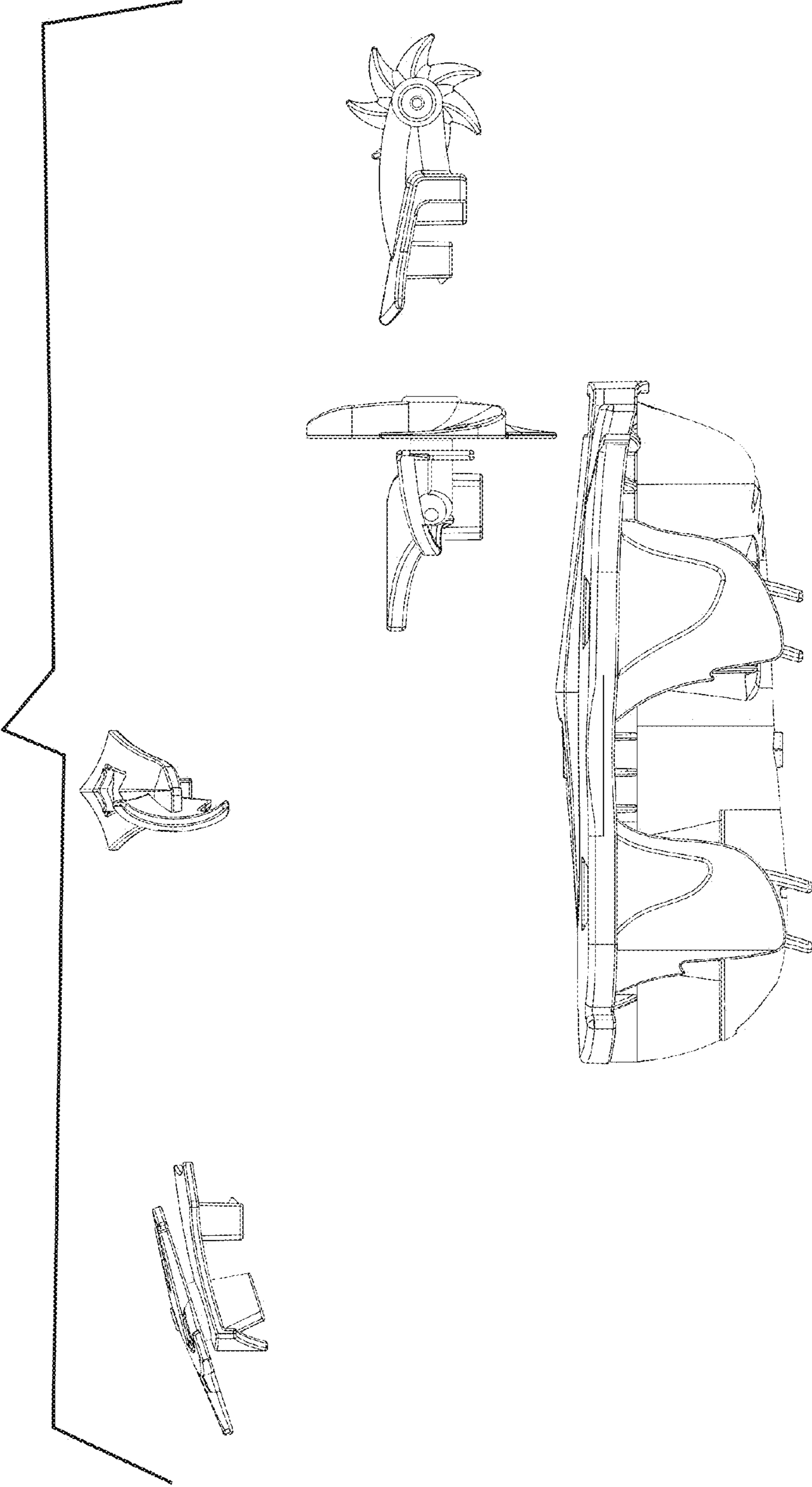




FIGURE 16



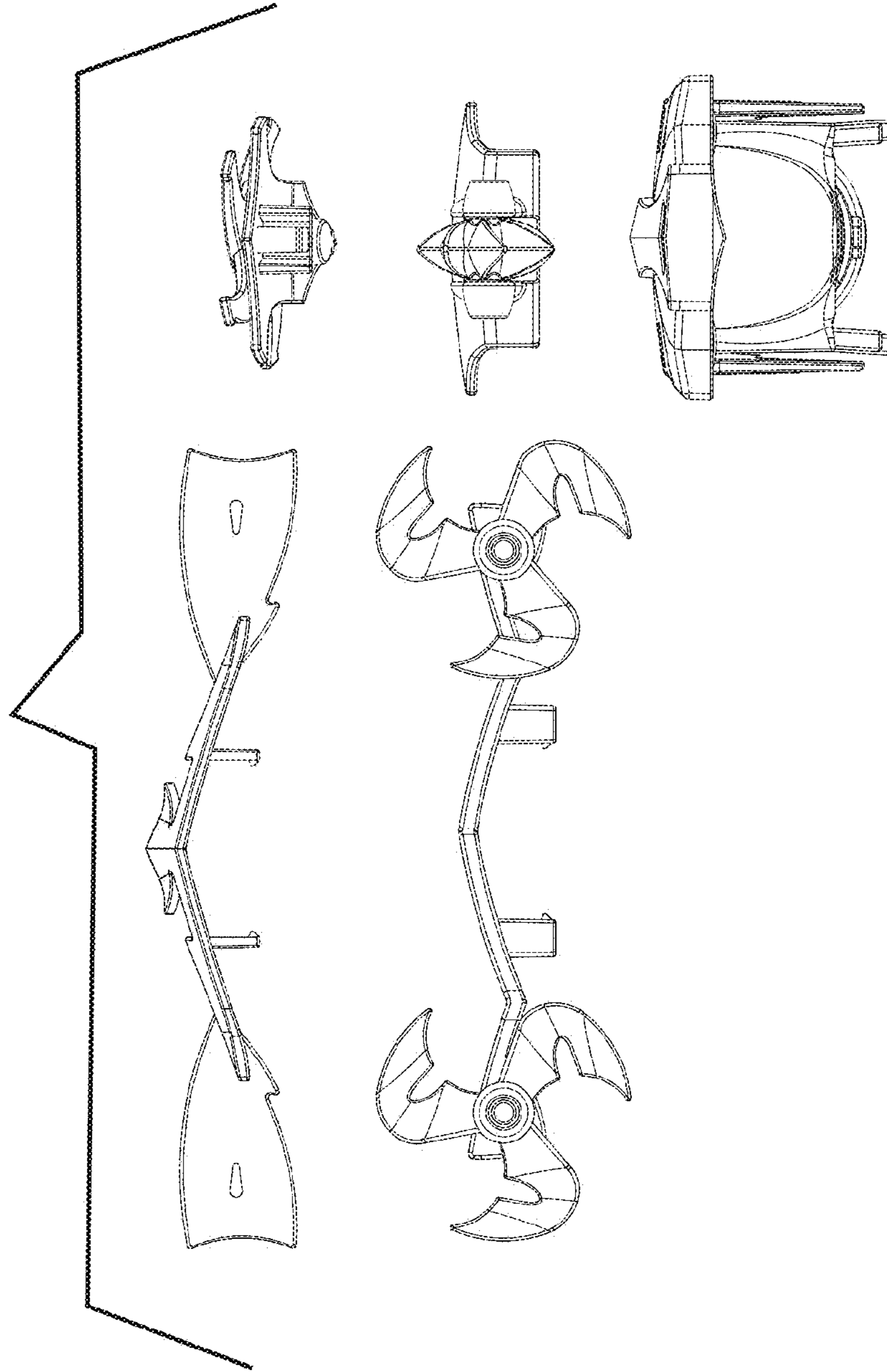


FIGURE 17

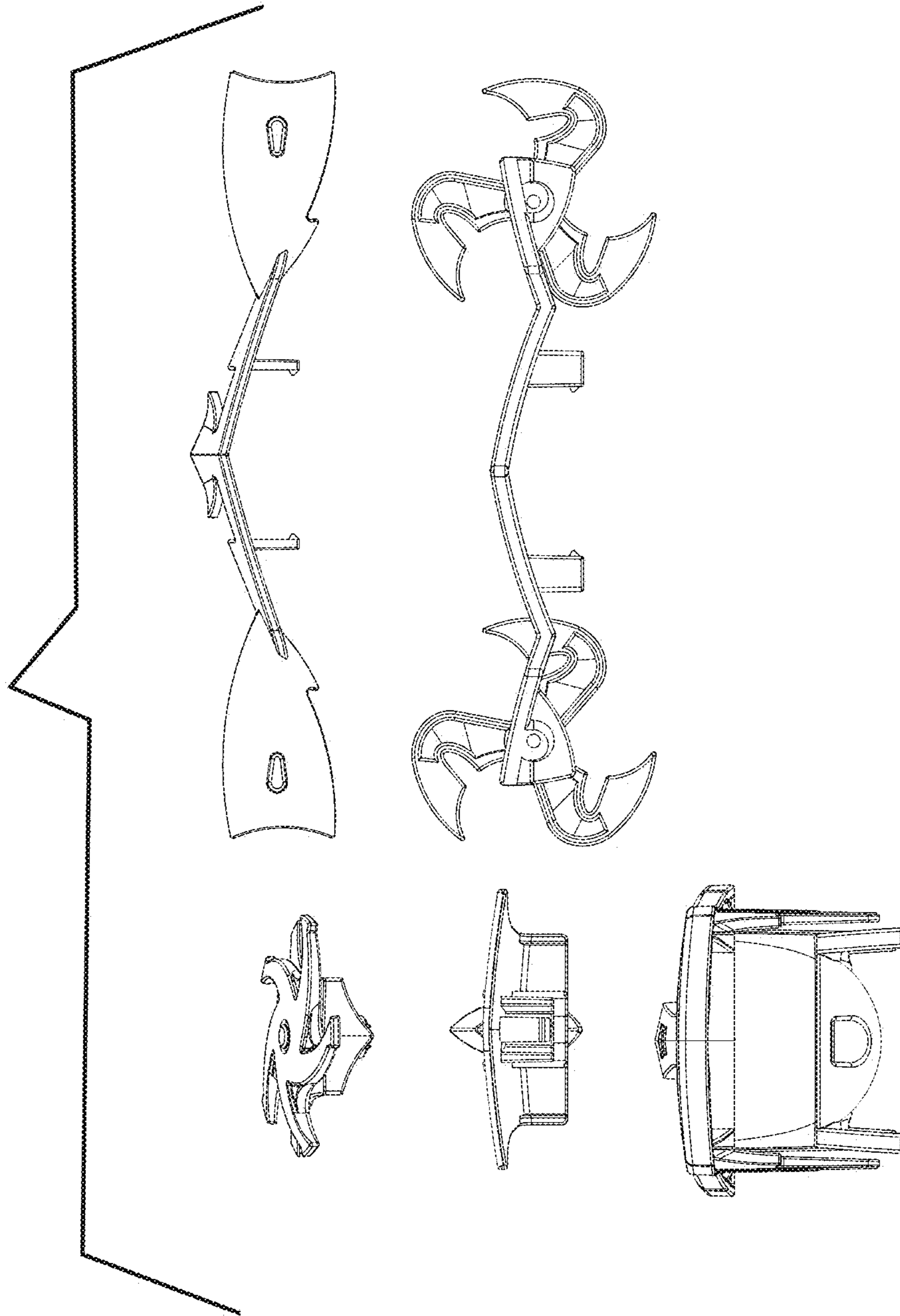


FIGURE 18