



US00D689147S

(12) **United States Design Patent**
Mimlitch, III et al.

(10) **Patent No.:** **US D689,147 S**

(45) **Date of Patent:** **** Sep. 3, 2013**

(54) **TOY FIGURE WITH ATTACHMENTS**

(75) Inventors: **Robert H. Mimlitch, III**, Rowlett, TX (US); **David A. Norman**, Greenville, TX (US); **Douglas Michael Galletti**, Allen, TX (US); **Jeffrey Russell Waegelin**, Rockwall, TX (US); **Gregory Needel**, Rockwall, TX (US); **Raul Olivera**, Greenville, TX (US)

(73) Assignee: **Innovation First, Inc.**, Greenville, TX (US)

(**) Term: **14 Years**

(21) Appl. No.: **29/426,508**

(22) Filed: **Jul. 6, 2012**

(51) **LOC (9) Cl.** **21-01**

(52) **U.S. Cl.**
USPC **D21/578; D21/650**

(58) **Field of Classification Search**
USPC D21/447, 576-585, 650; 446/72, 446/97, 268-269, 321, 356, 376-377, 487
See application file for complete search history.

(56) **References Cited**

U.S. PATENT DOCUMENTS

6,652,352 B1 * 11/2003 MacArthur et al. 446/356
6,866,557 B2 * 3/2005 Randall 446/356
D583,882 S * 12/2008 Domingues D21/585

* cited by examiner

Primary Examiner — Sandra Morris

(74) *Attorney, Agent, or Firm* — Adam K. Sacharoff

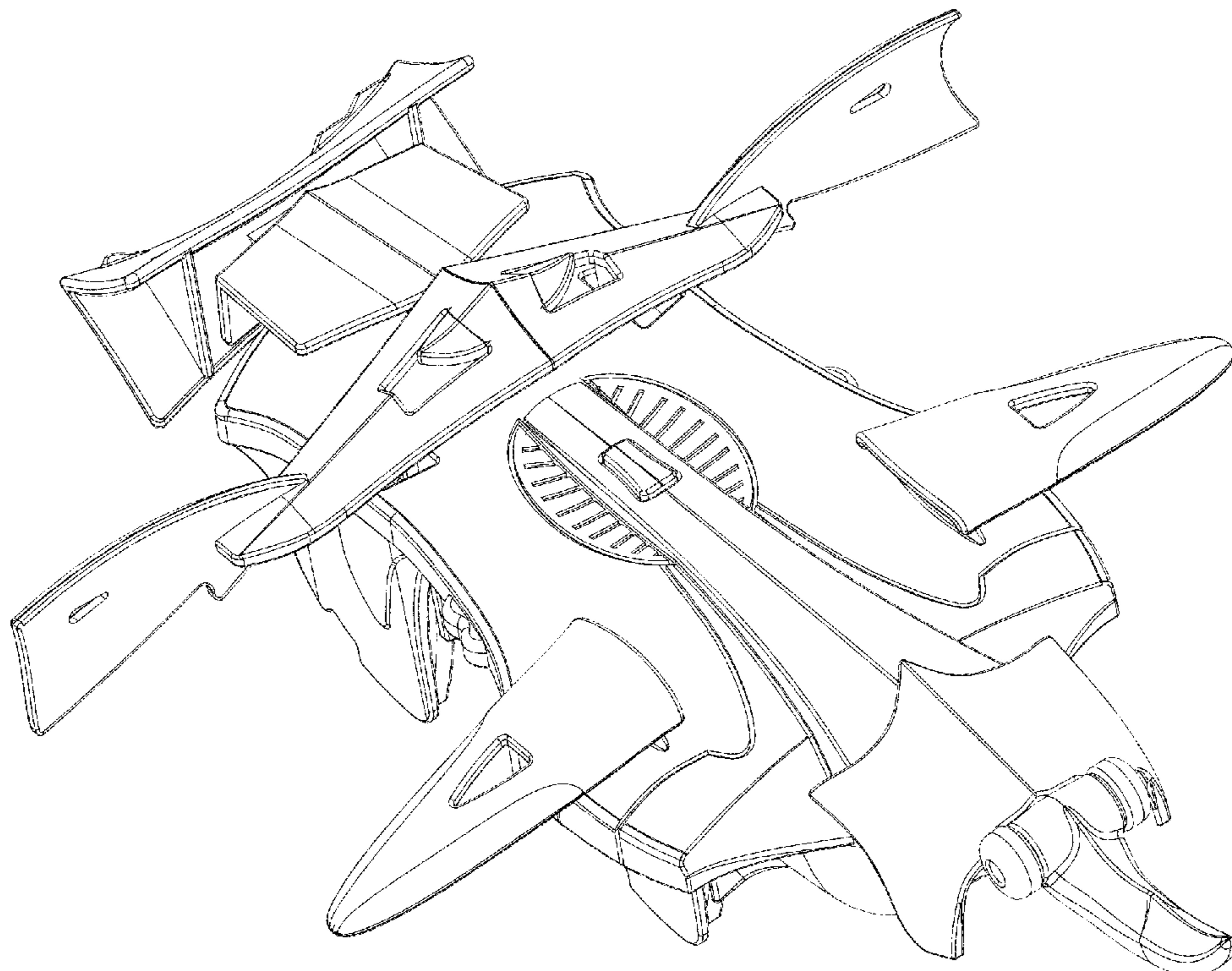
(57) **CLAIM**

The ornamental design for a toy figure with attachments, as shown and described.

DESCRIPTION

FIG. 1 is a front top perspective view showing a first embodiment of the toy figure with attachments illustrating the attachments connected to the toy figure;
FIG. 2 is a back top perspective view of FIG. 1;
FIG. 3 is a front left side bottom perspective view of FIG. 1;
FIG. 4 is a front right side bottom perspective view of FIG. 1;
FIG. 5 is a top side view of FIG. 1;
FIG. 6 is a bottom side view of FIG. 1;
FIG. 7 is a front side view of FIG. 1;
FIG. 8 is a back side view of FIG. 1;
FIG. 9 is a left side view of FIG. 1;
FIG. 10 is a right side view of FIG. 1;
FIG. 11 is a front top perspective view showing a second embodiment of the toy figure with attachments illustrating the attachments in a unconnected position;
FIG. 12 is a bottom perspective view of FIG. 11;
FIG. 13 is a top side view of FIG. 11;
FIG. 14 is a bottom side view of FIG. 11;
FIG. 15 is a left side view of FIG. 11;
FIG. 16 is a right side view of FIG. 11;
FIG. 17 is a front side view of FIG. 11; and,
FIG. 18 is a back side view of FIG. 11.

1 Claim, 18 Drawing Sheets



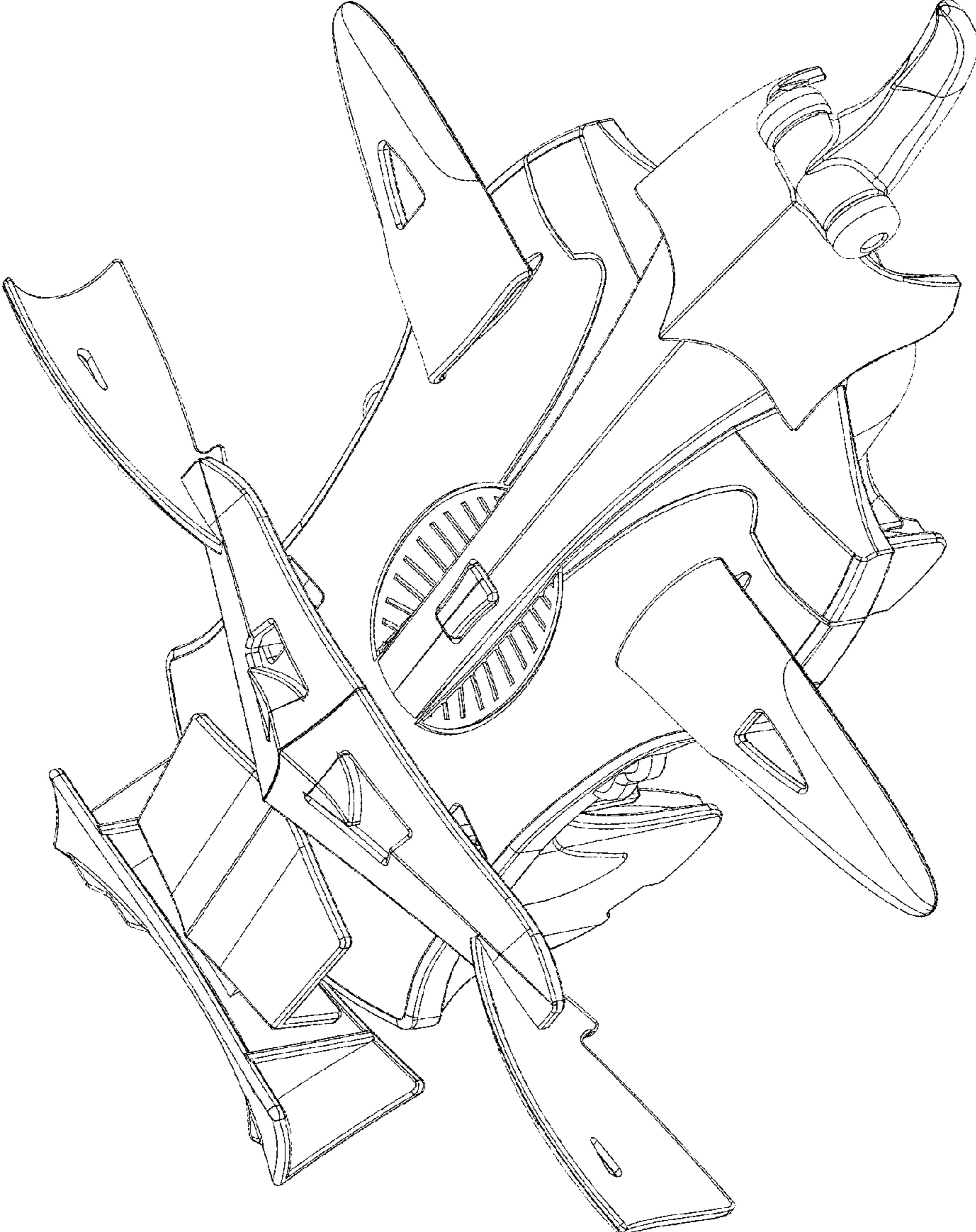


FIGURE 1

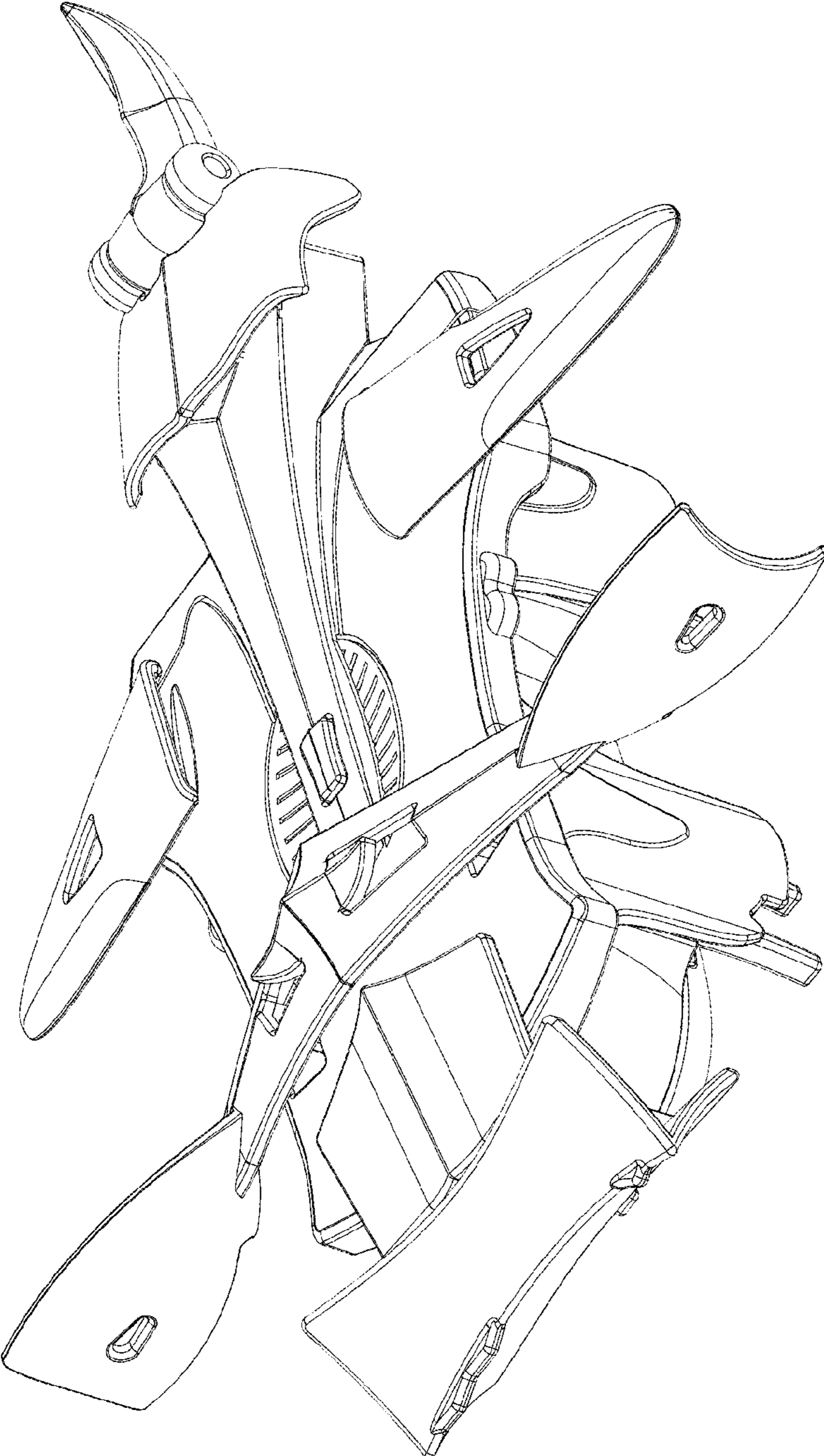


FIGURE 2

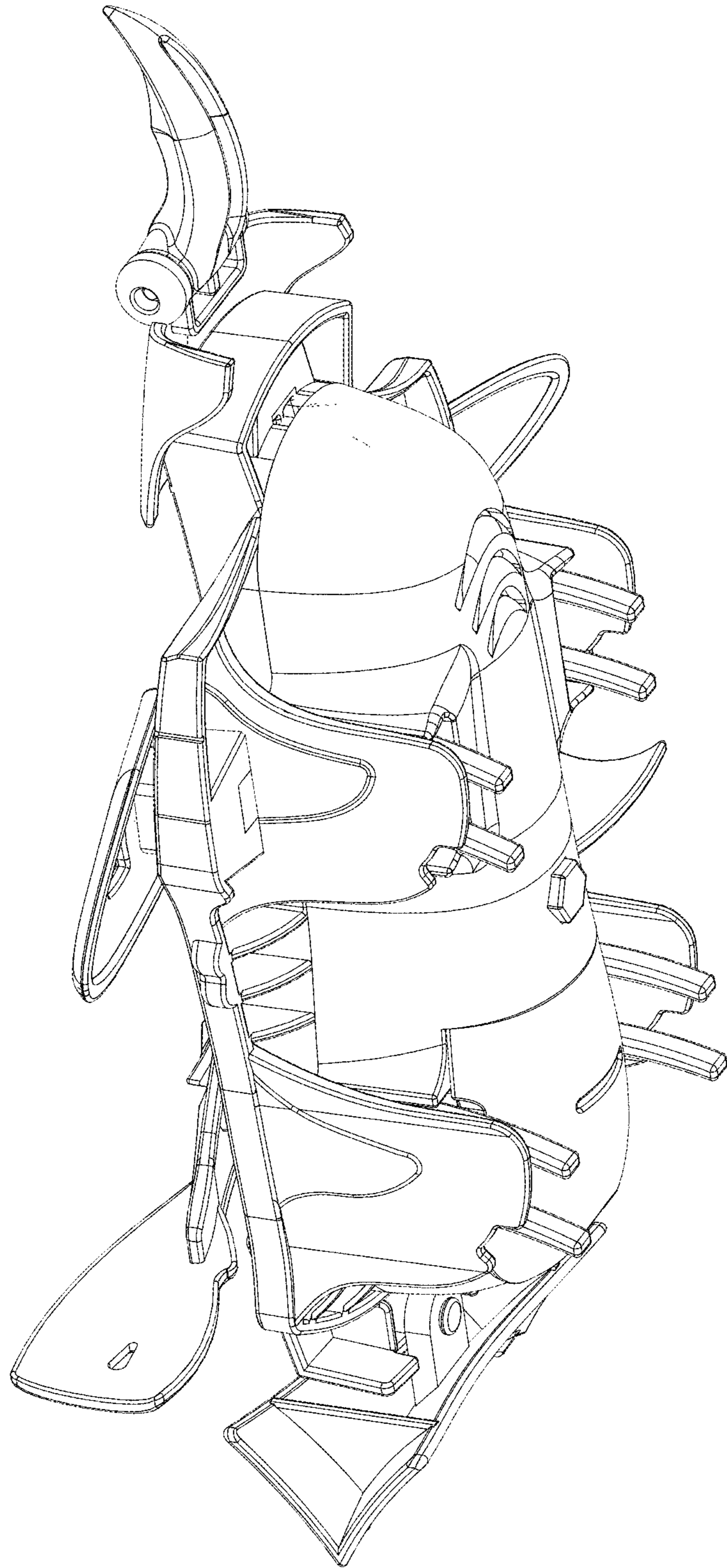


FIGURE 3

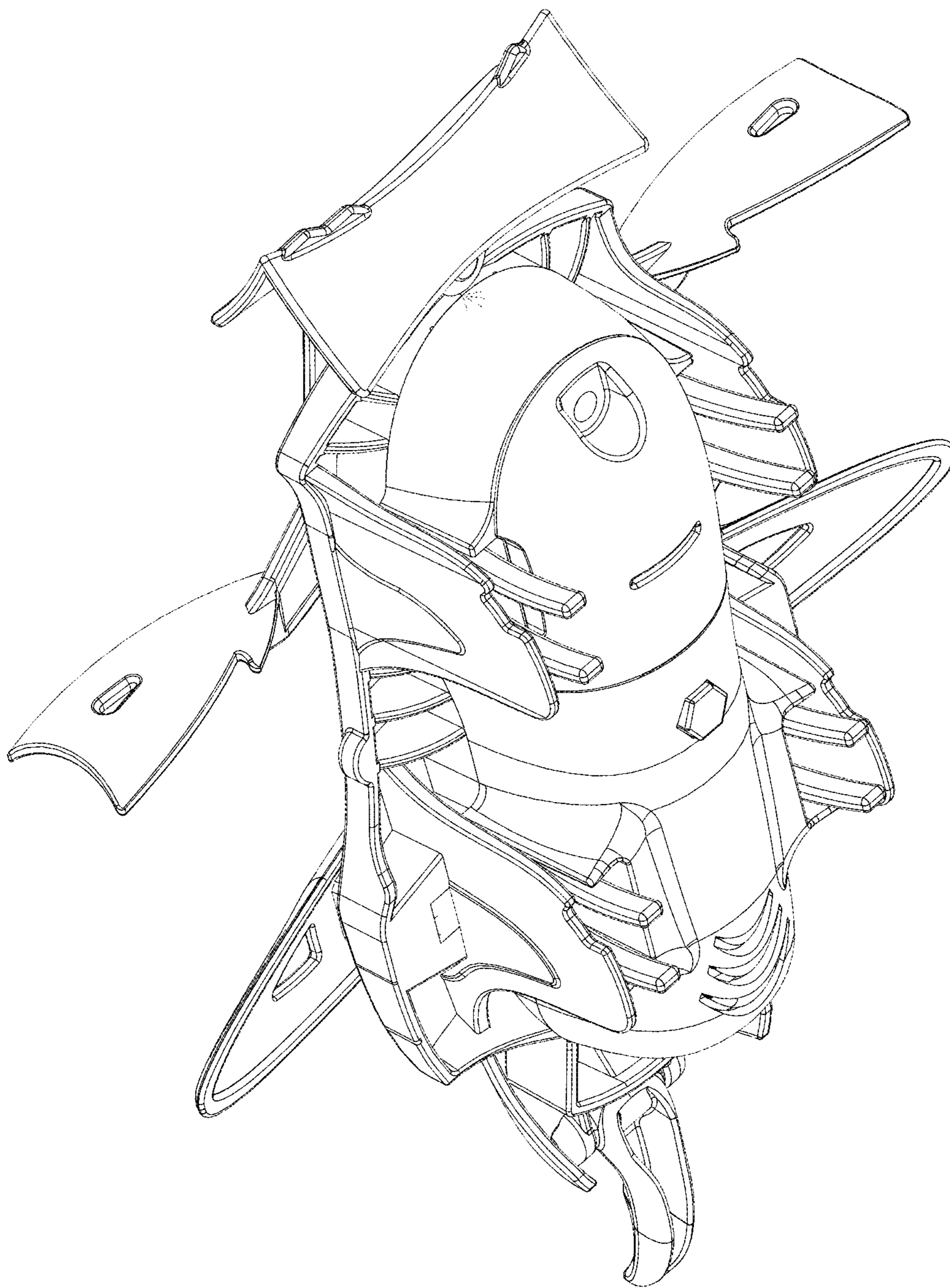


FIGURE 4

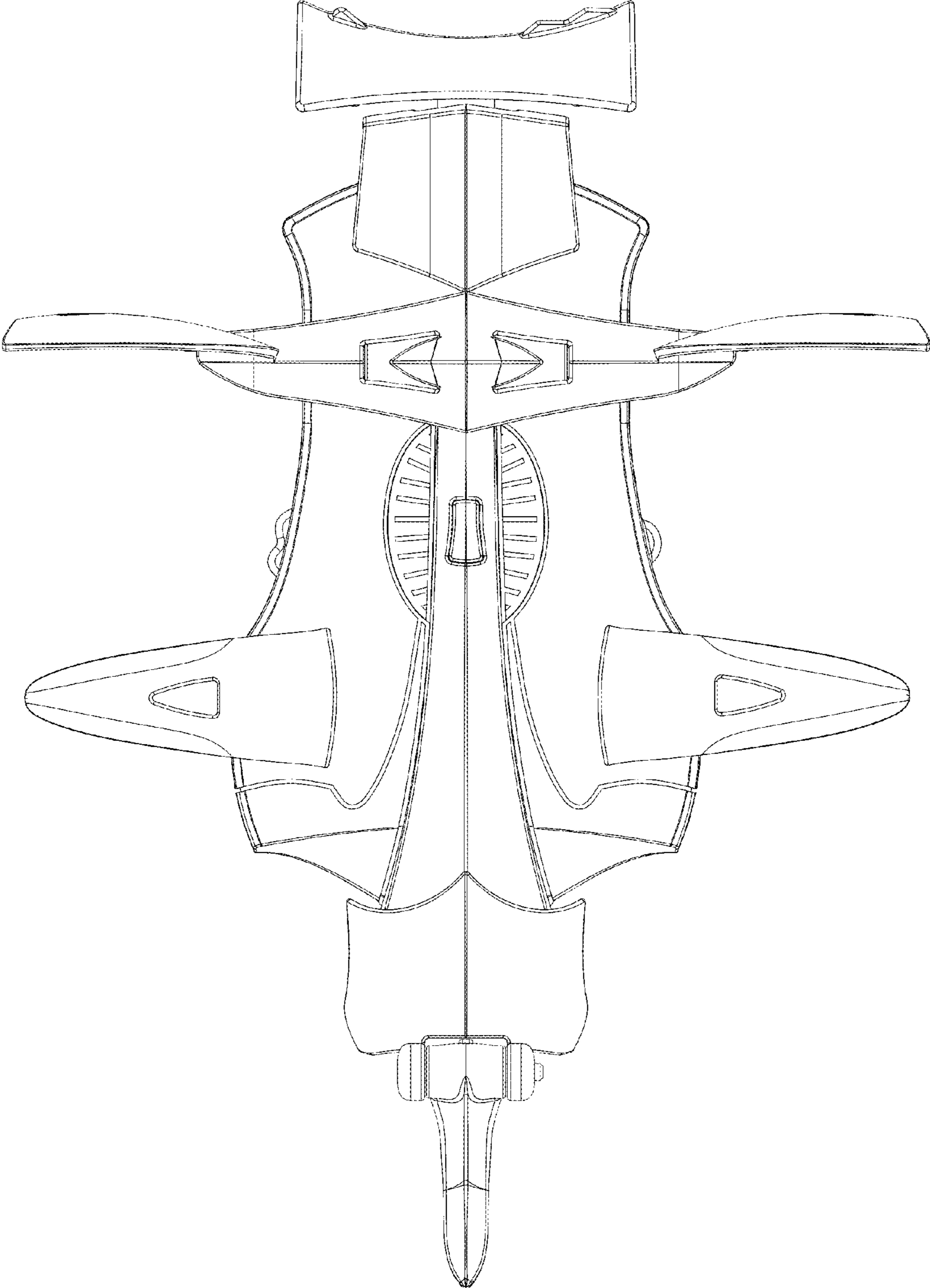


FIGURE 5

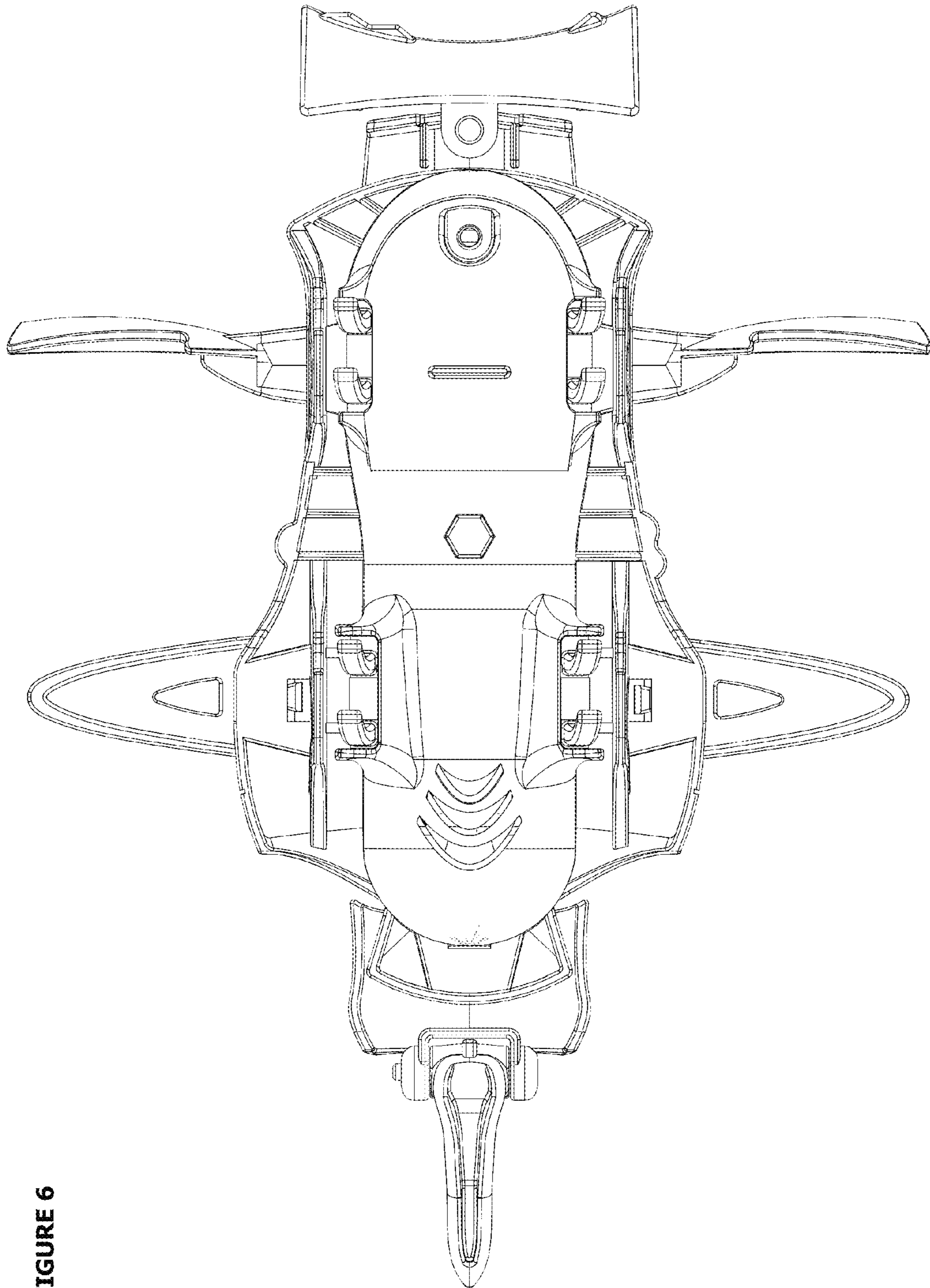


FIGURE 6

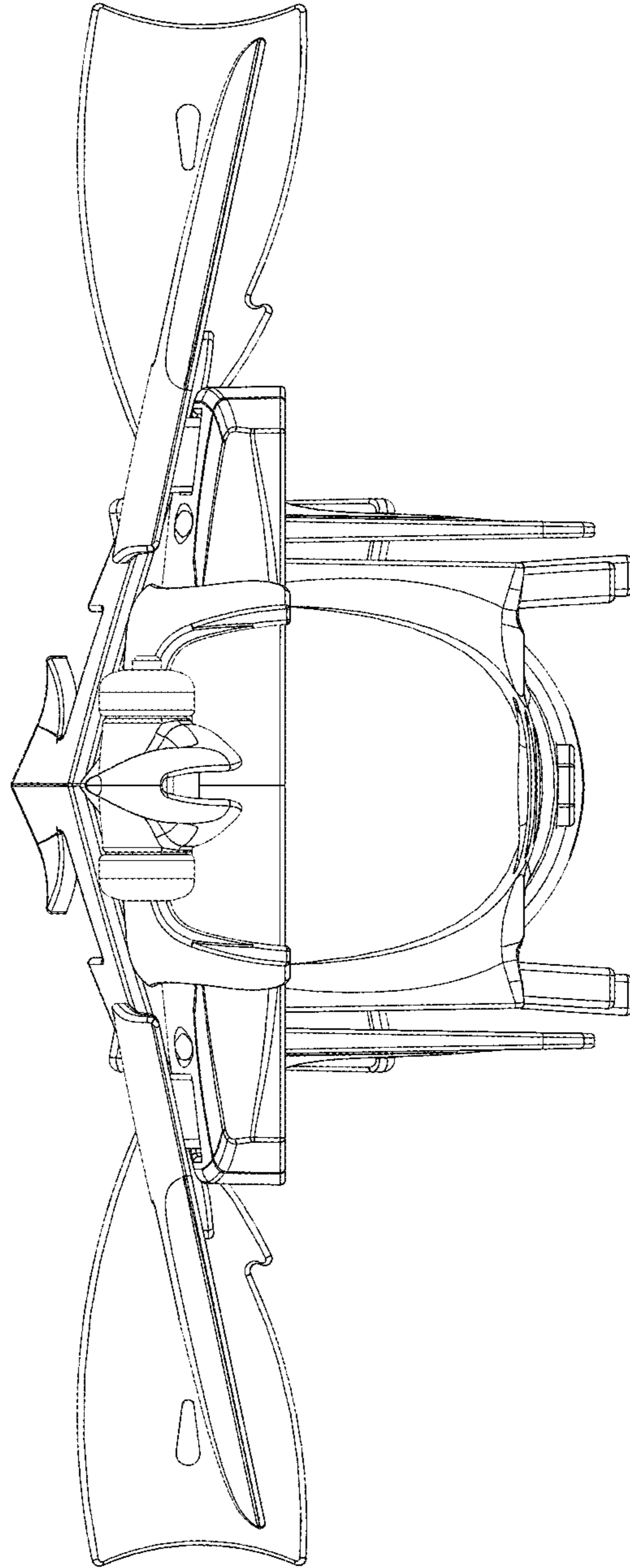


FIGURE 7

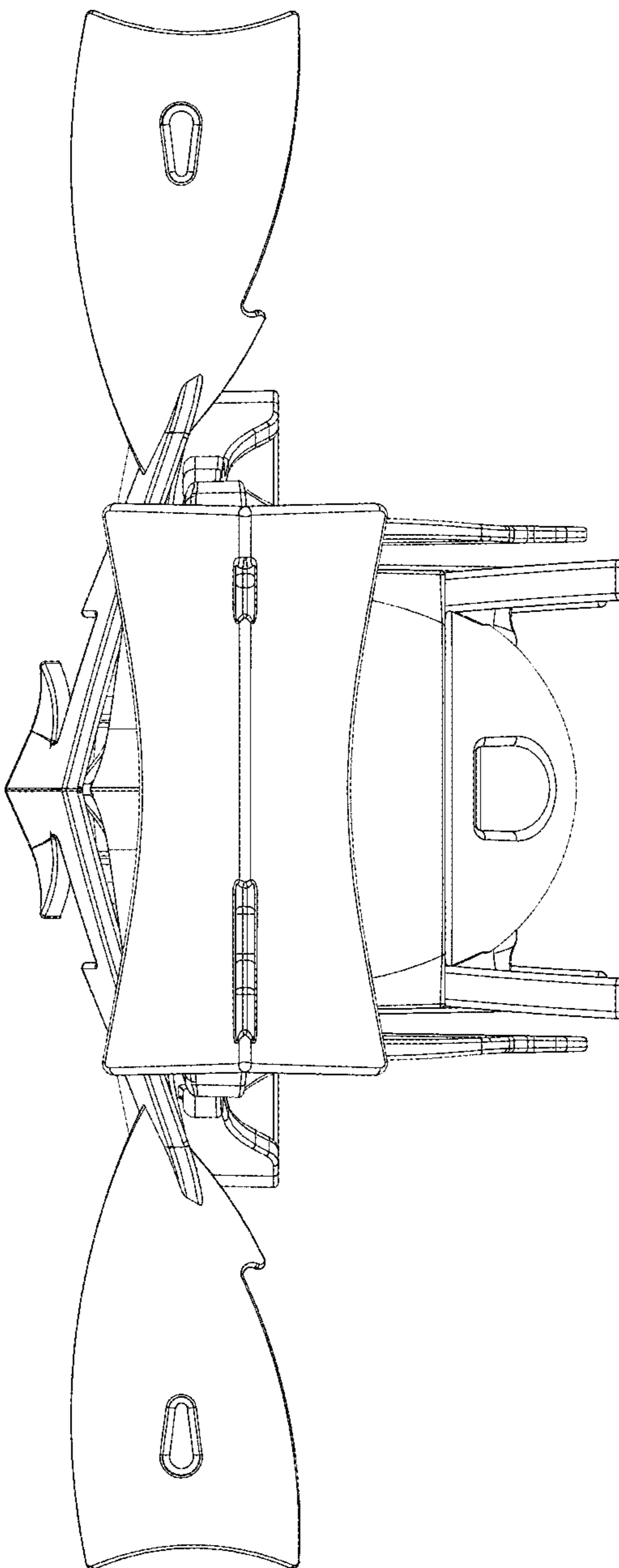


FIGURE 8

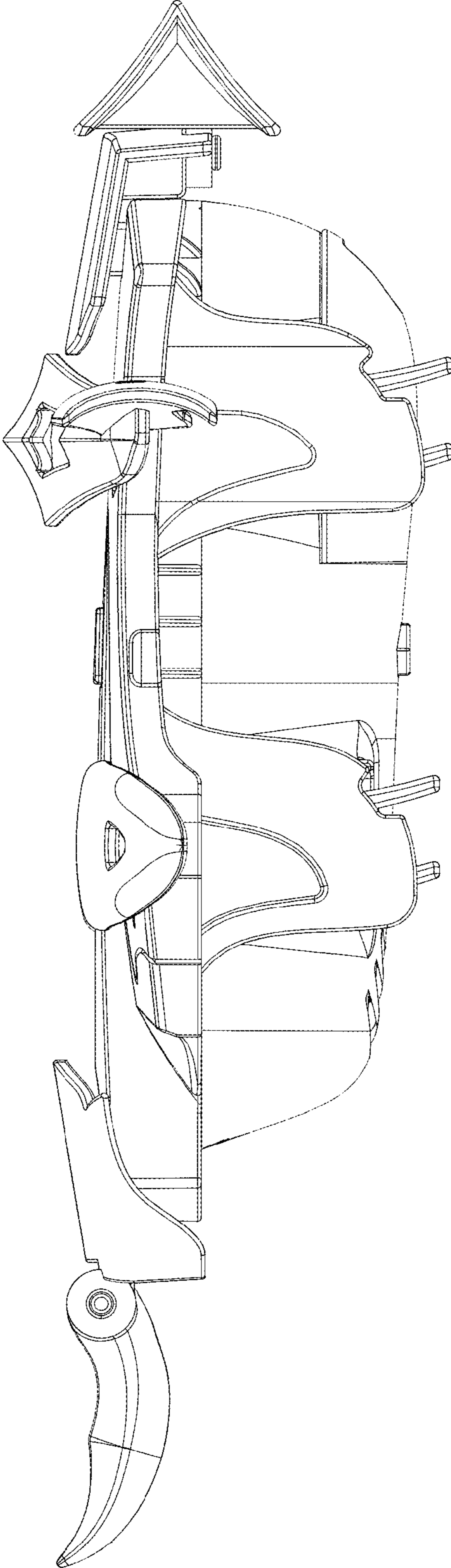


FIGURE 9

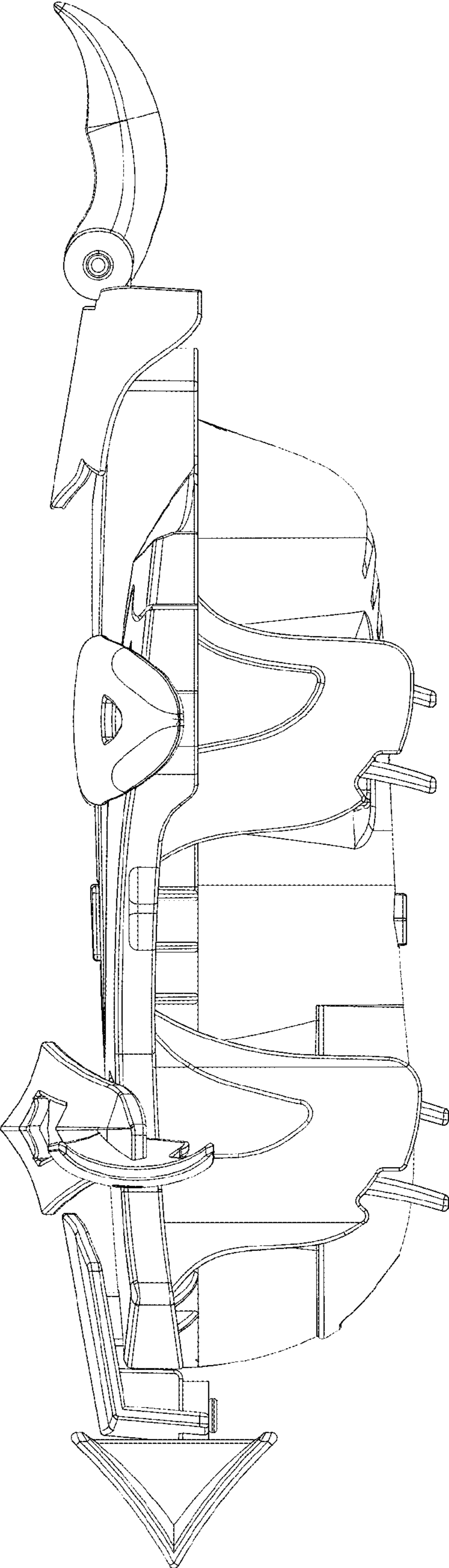


FIGURE 10

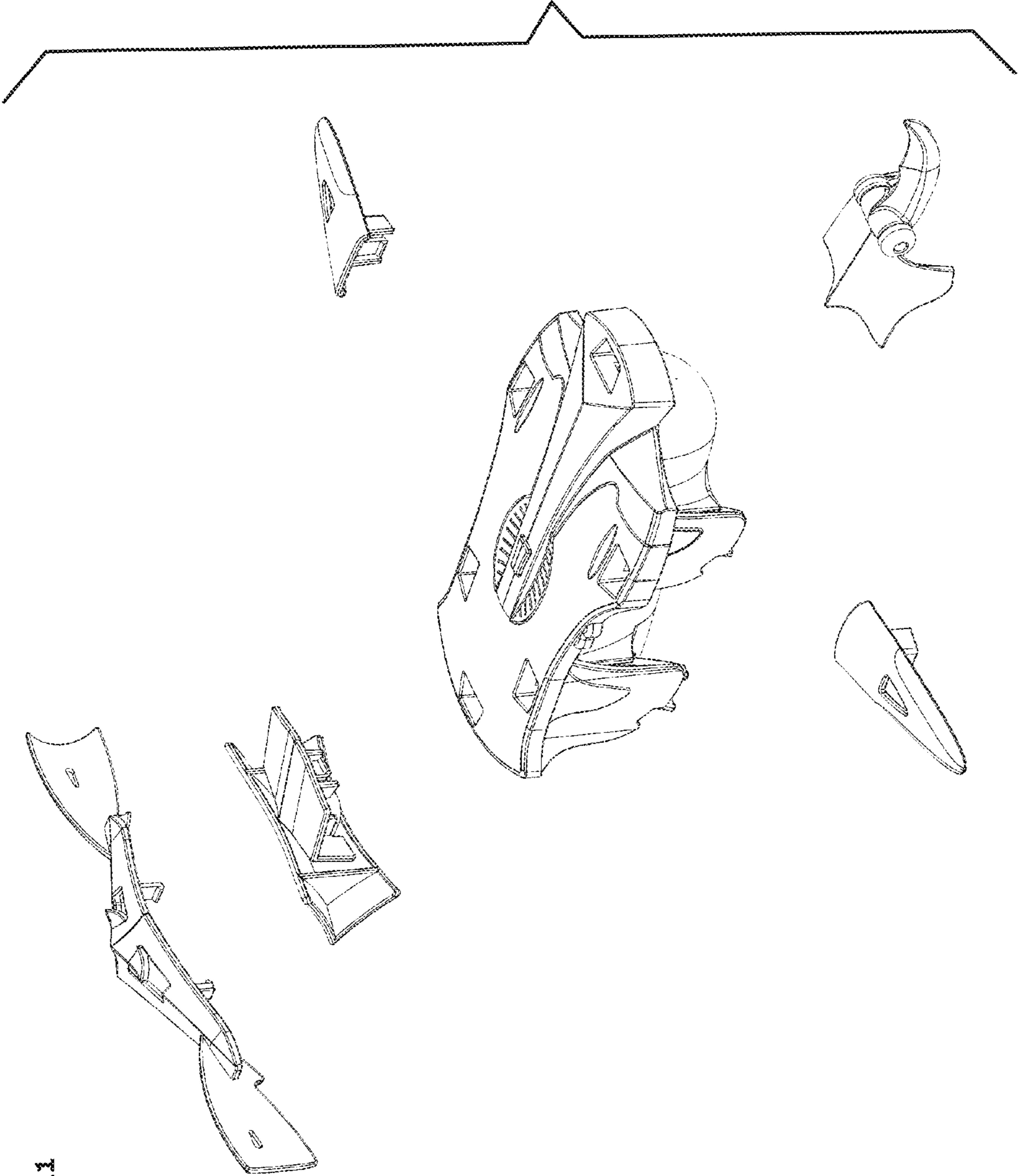


FIGURE 11

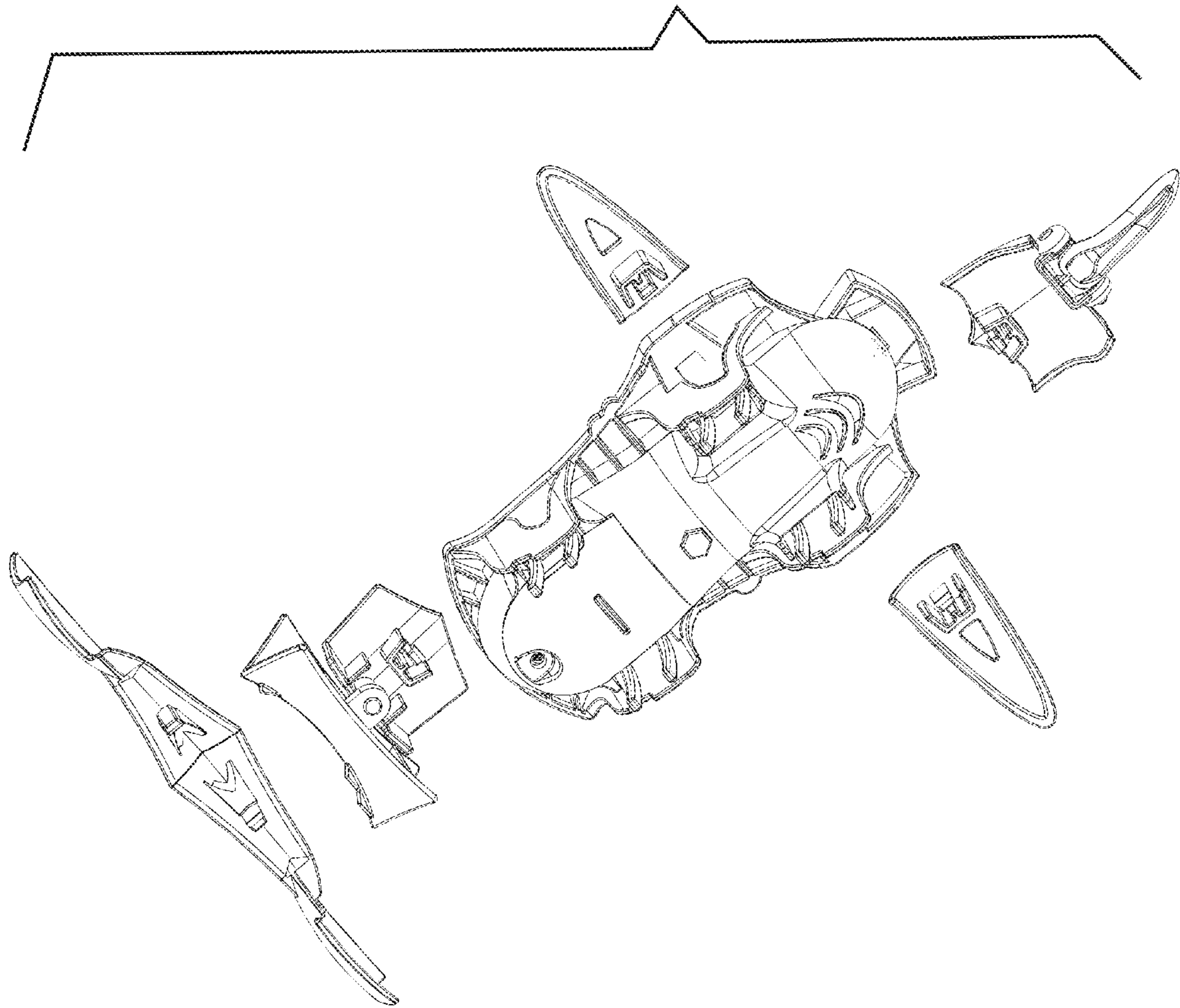
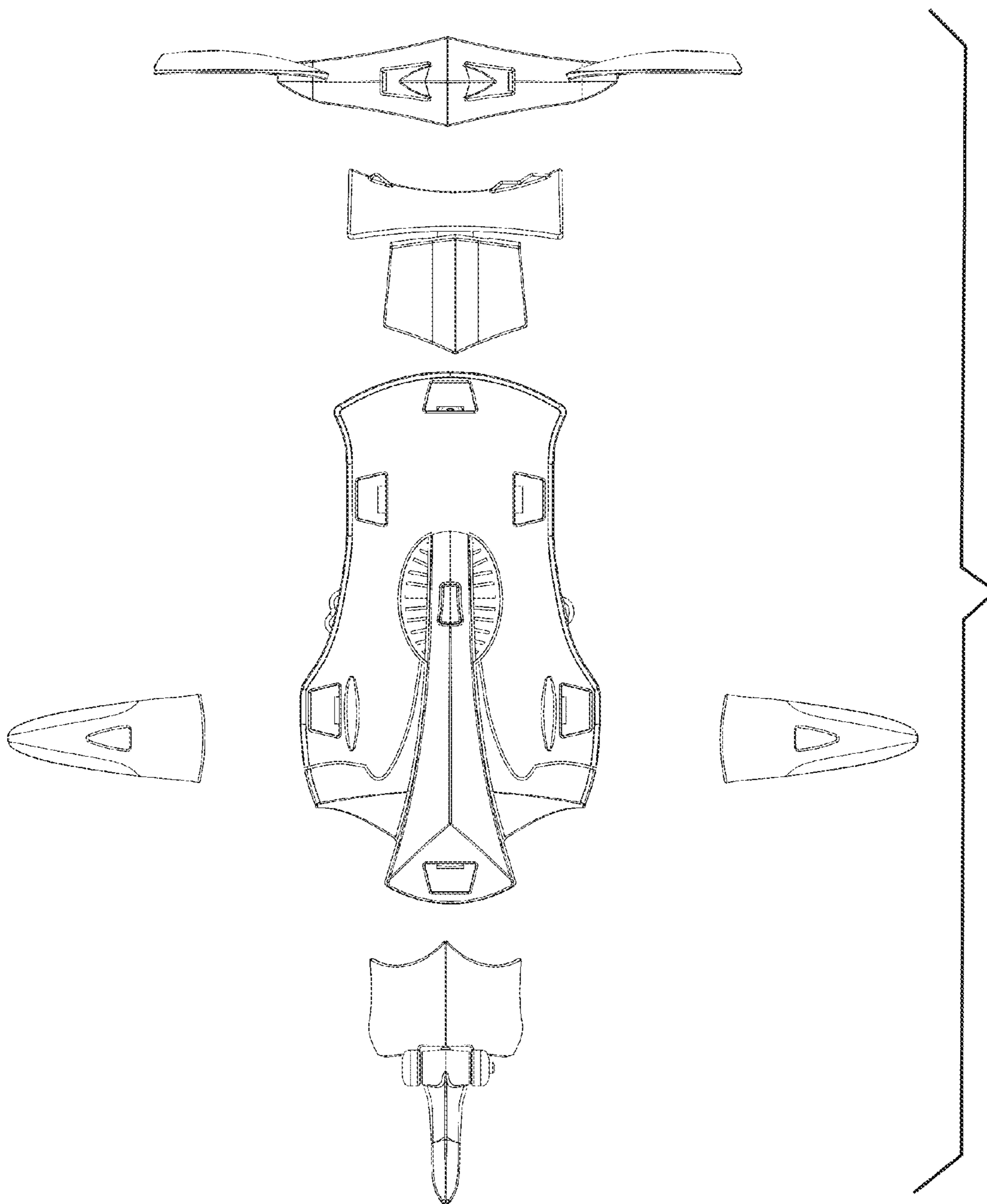


FIGURE 12

FIGURE 13



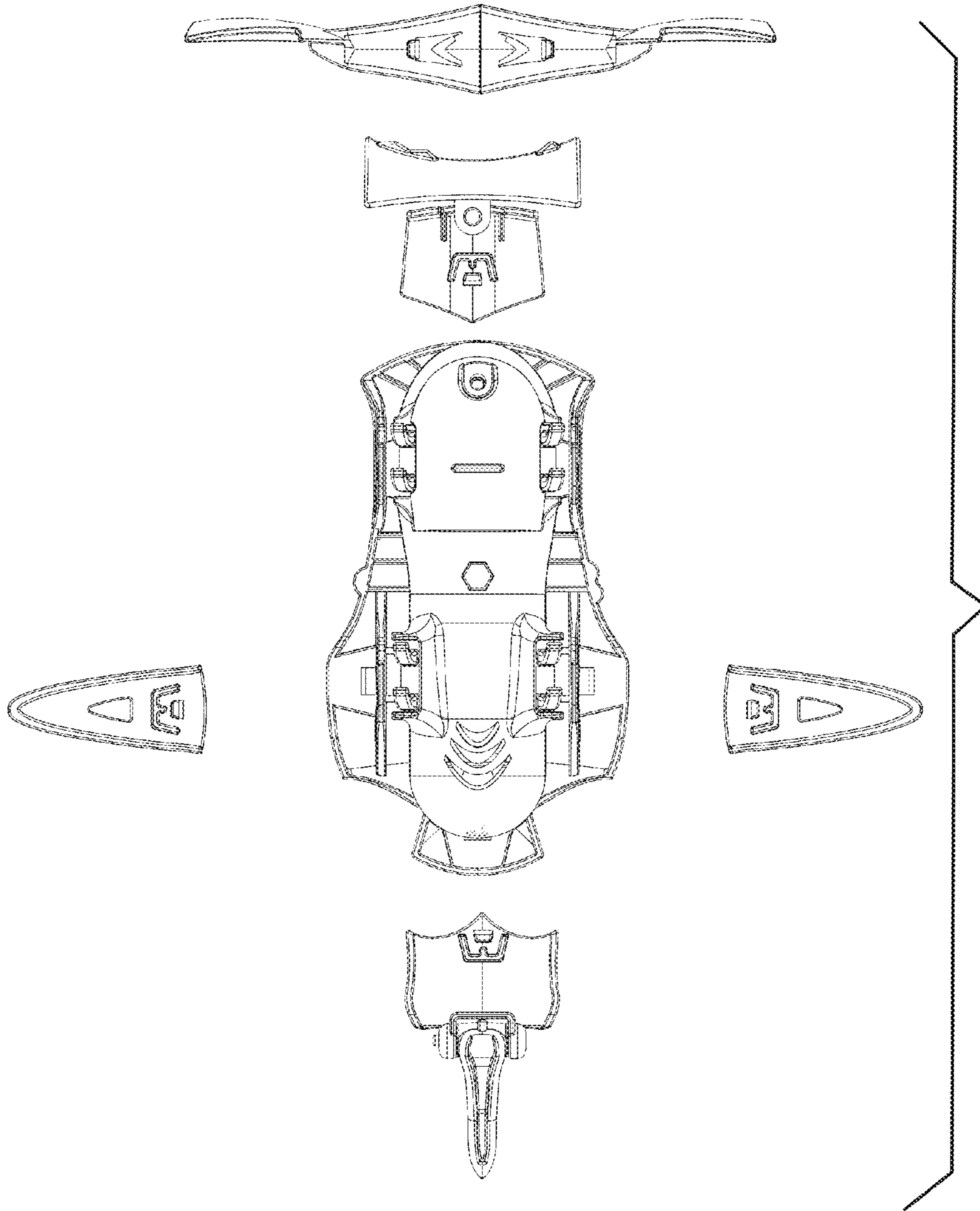


FIGURE 14

FIGURE 15

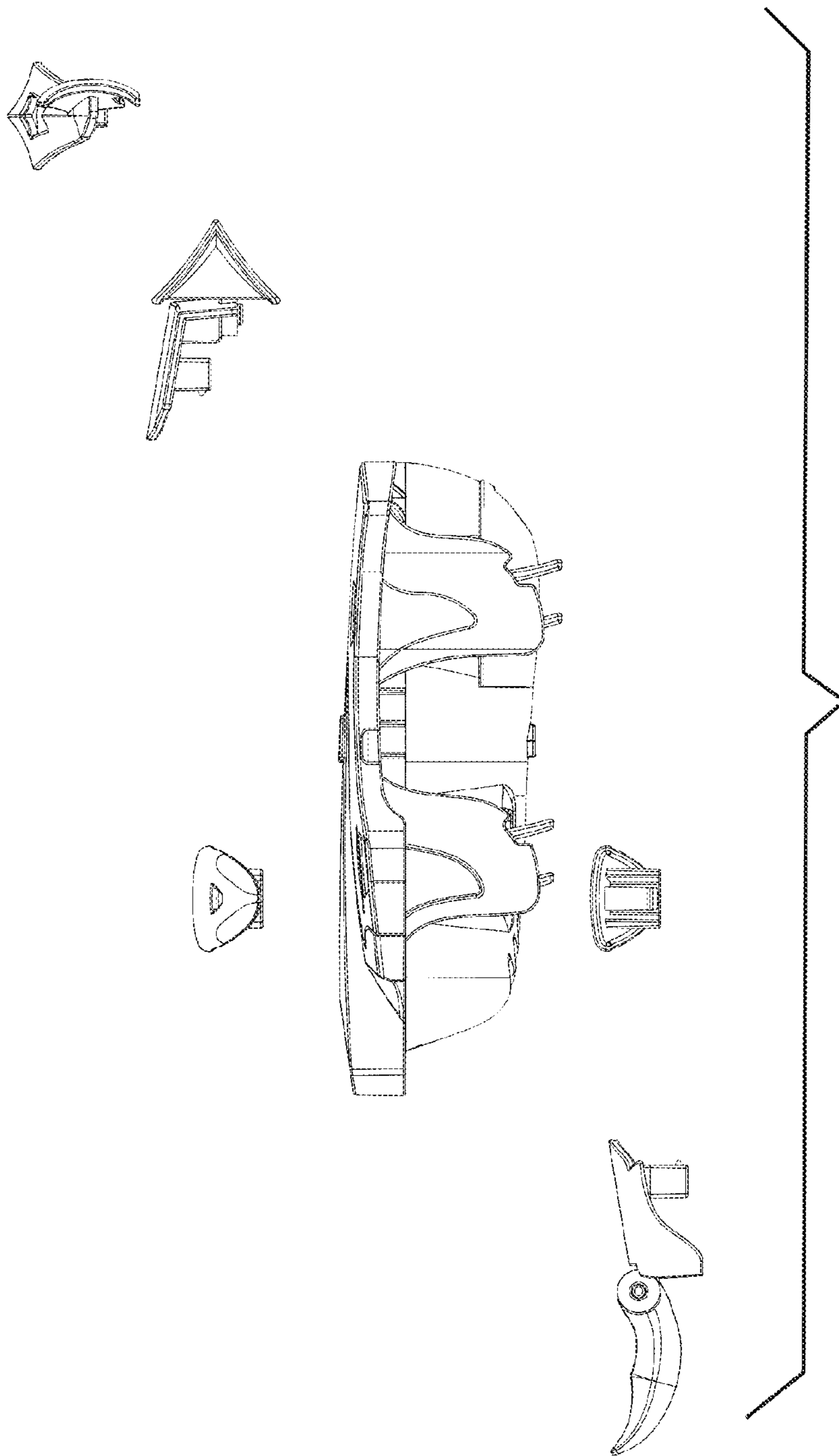


FIGURE 16

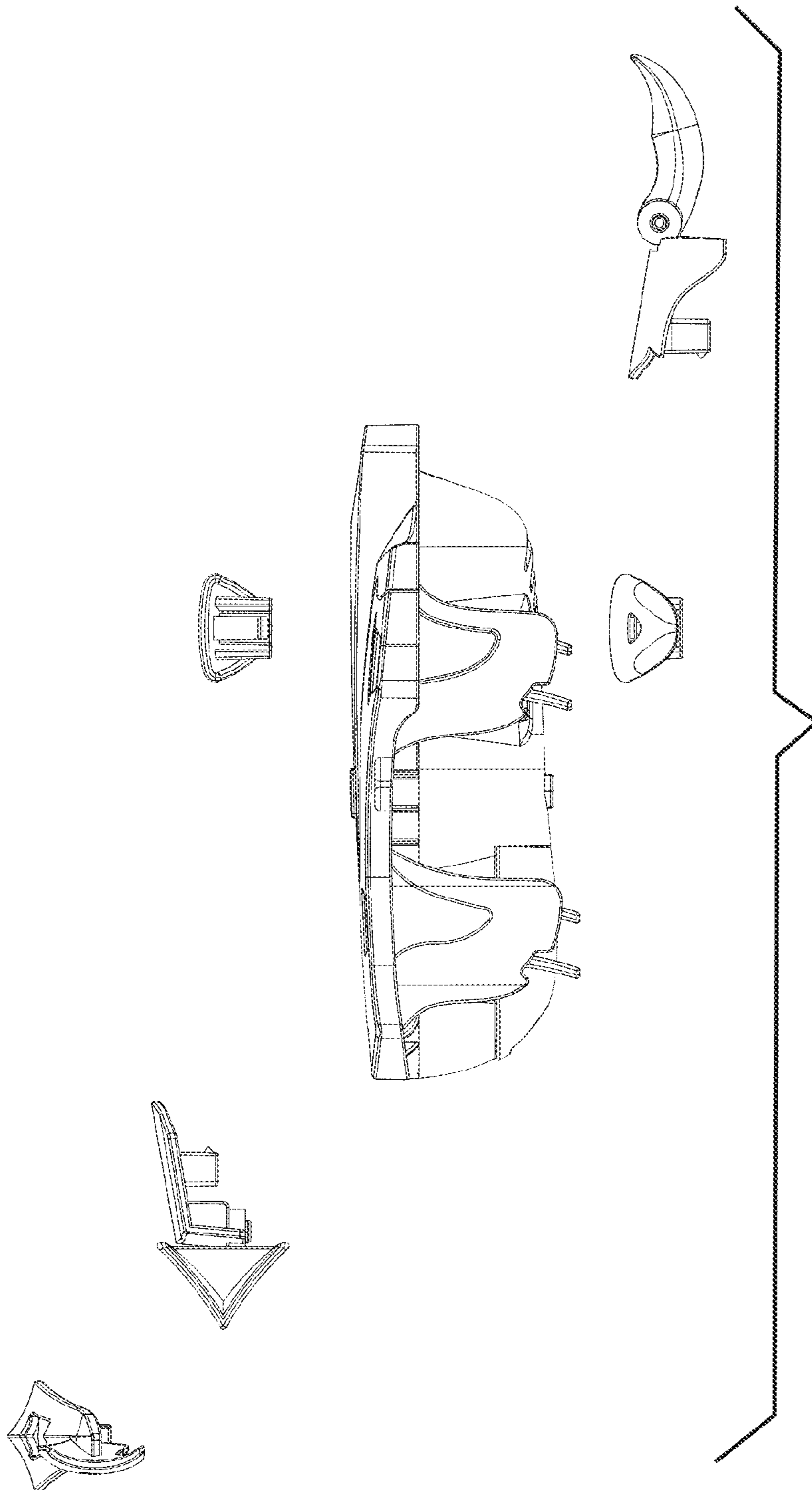


FIGURE 17

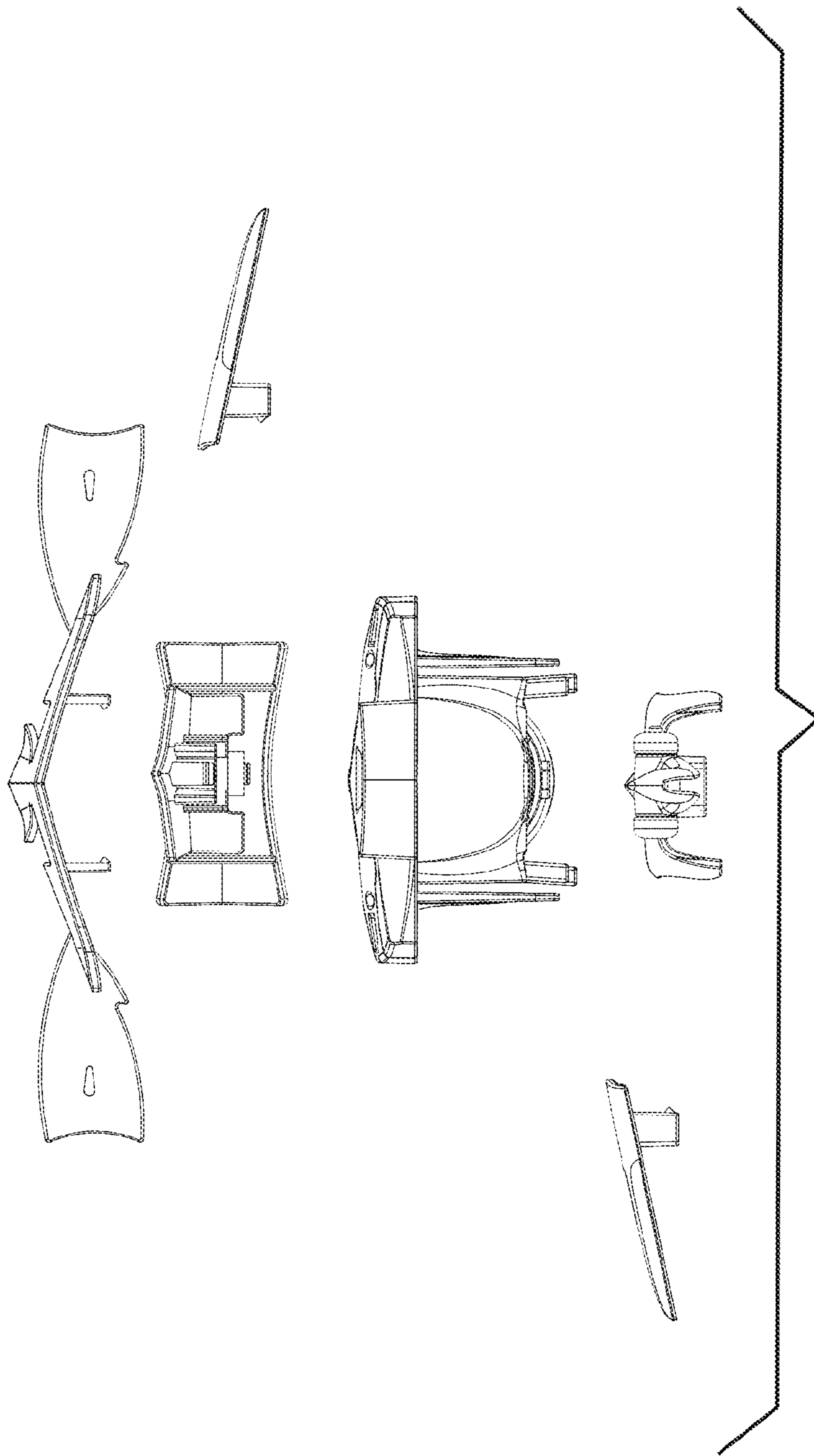


FIGURE 18

