



US00D689145S

(12) **United States Design Patent**
Mimlitch, III et al.

(10) **Patent No.:** **US D689,145 S**
(45) **Date of Patent:** **** Sep. 3, 2013**

(54) **STOPPING TRACK COMPONENT**

(56) **References Cited**

(75) Inventors: **Robert H. Mimlitch, III**, Rowlett, TX (US); **David Anthony Norman**, Greenville, TX (US); **Douglas Michael Galletti**, Allen, TX (US); **Raul Olivera**, Greenville, TX (US); **Gregory Lavender**, Rockwall, TX (US); **Gregory Needel**, Rockwall, TX (US); **Jeffrey Russell Waegelin**, Rockwall, TX (US)

U.S. PATENT DOCUMENTS

3,589,063	A *	6/1971	Genin	238/10 F
3,970,309	A *	7/1976	Sato	463/59
4,247,107	A *	1/1981	Smith et al.	463/59
D306,466	S *	3/1990	Elliott et al.	D21/564
5,085,148	A *	2/1992	Konno	238/10 A
D344,307	S *	2/1994	Ruszkai	D21/565
D361,802	S *	8/1995	Shiraishi	D21/564
5,791,253	A *	8/1998	Schultheis et al.	238/10 E
7,637,796	B2 *	12/2009	Hippely	446/429
7,938,068	B2 *	5/2011	Parker et al.	238/10 E

* cited by examiner

(73) Assignee: **Innovation First, Inc.**, Greenville, TX (US)

Primary Examiner — Cynthia M Chin

(74) *Attorney, Agent, or Firm* — Adam K. Sacharoff

(**) Term: **14 Years**

(57) **CLAIM**

The ornamental design for a stopping track component, as shown and described.

(21) Appl. No.: **29/429,042**

DESCRIPTION

(22) Filed: **Aug. 7, 2012**

(51) **LOC (9) Cl.** **21-01**

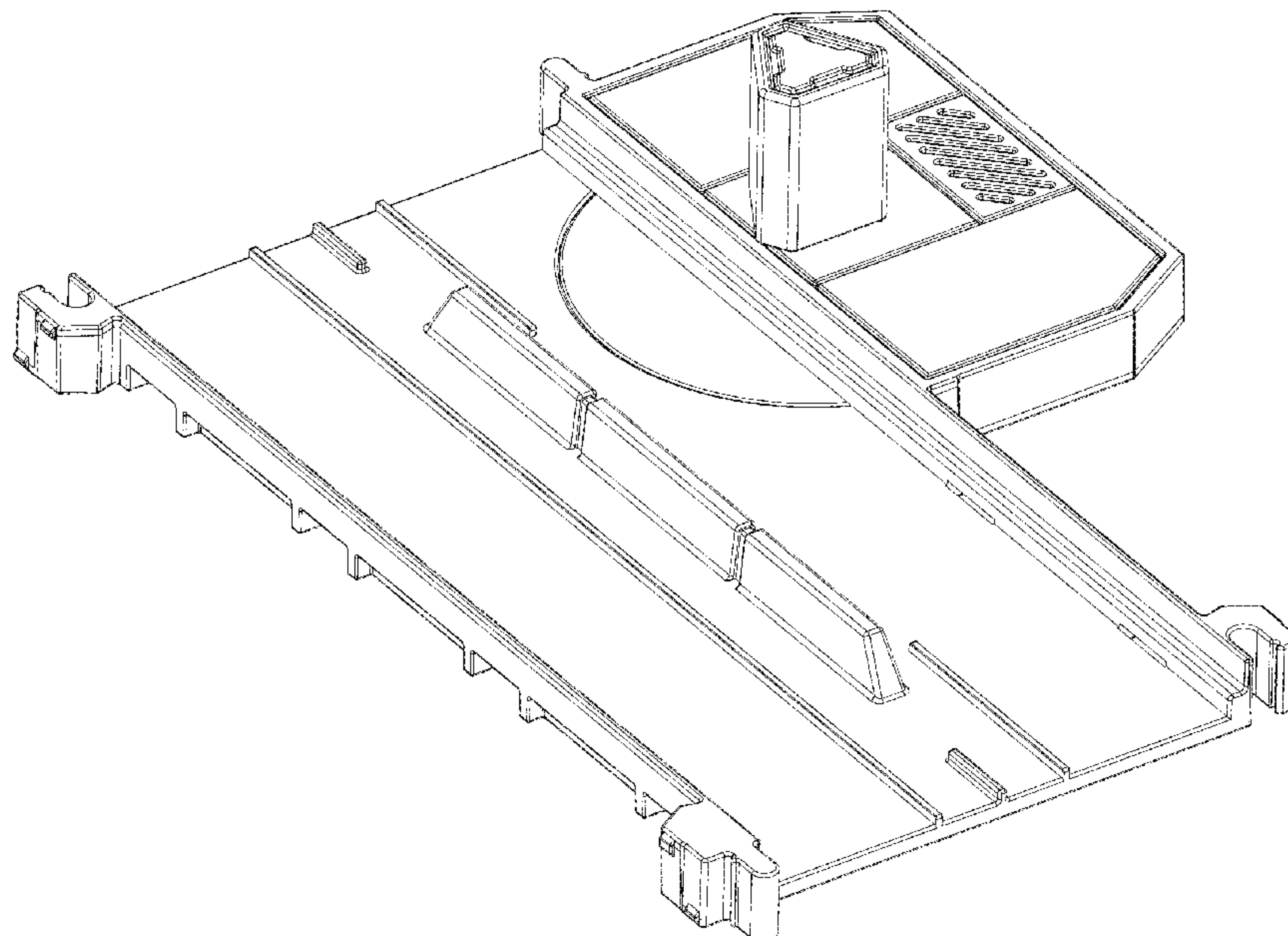
(52) **U.S. Cl.**
USPC **D21/565**

(58) **Field of Classification Search**
USPC D21/484, 490, 493, 509, 564, 565,
D21/802, 818, 821; 446/168–174, 84, 89,
446/108, 112, 114, 116, 124–128, 429, 444–447;
463/58–69; 238/10 R, 10 A–10 C, 10 E,
238/10 F; 104/60, 69

FIG. 1 is a front-top perspective view showing a stopping track component;
FIG. 2 is a rear-top perspective view of FIG. 1;
FIG. 3 is a bottom-front perspective view of FIG. 1;
FIG. 4 is a bottom-rear perspective view of FIG. 1;
FIG. 5 is a top side view of FIG. 1;
FIG. 6 is a bottom side view of FIG. 1;
FIG. 7 is a front side view of FIG. 1;
FIG. 8 is a rear side view of FIG. 1;
FIG. 9 is a left side view of FIGS. 1; and,
FIG. 10 is a right side view of FIG. 1.

See application file for complete search history.

1 Claim, 10 Drawing Sheets



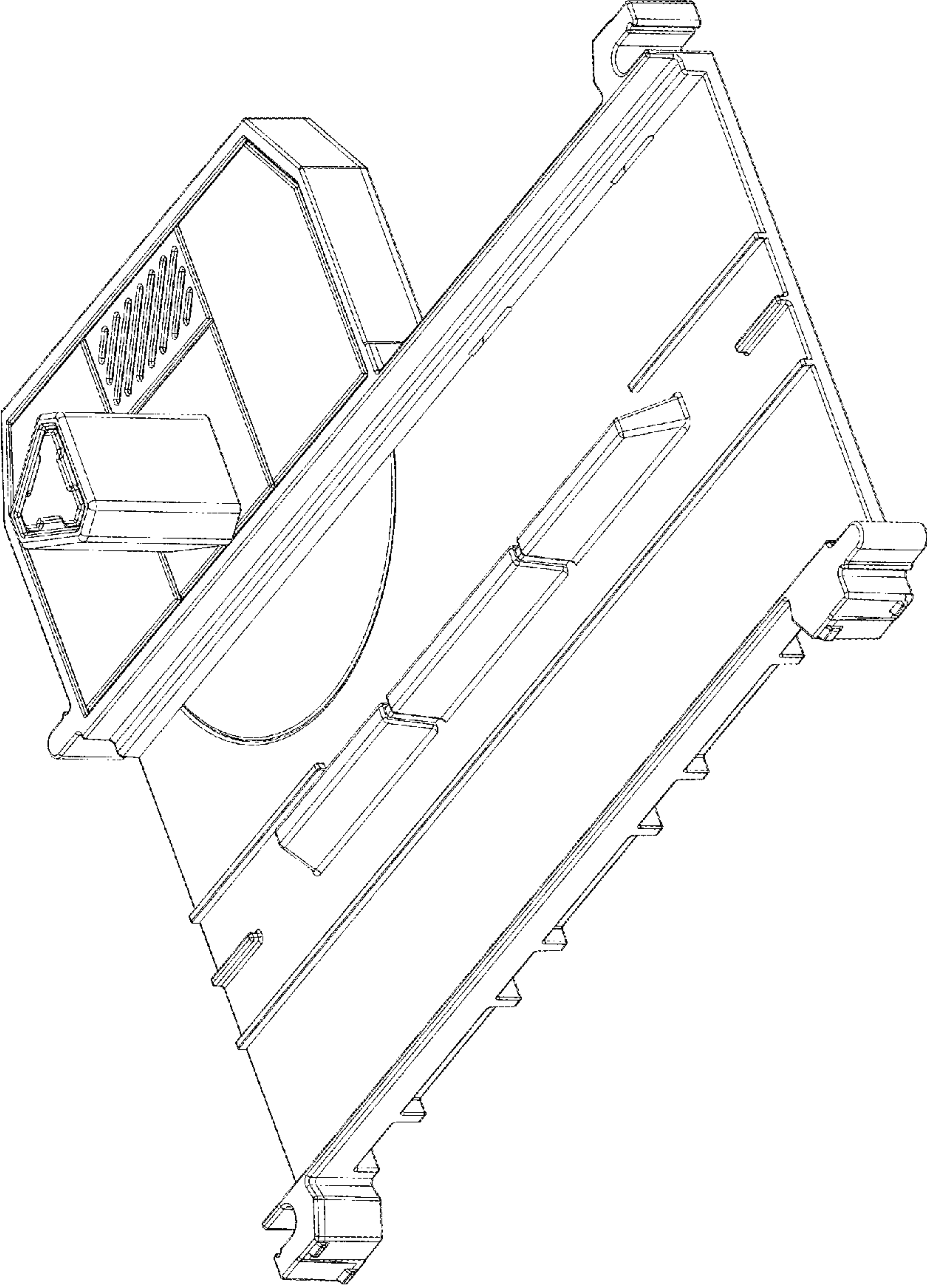


FIGURE 1

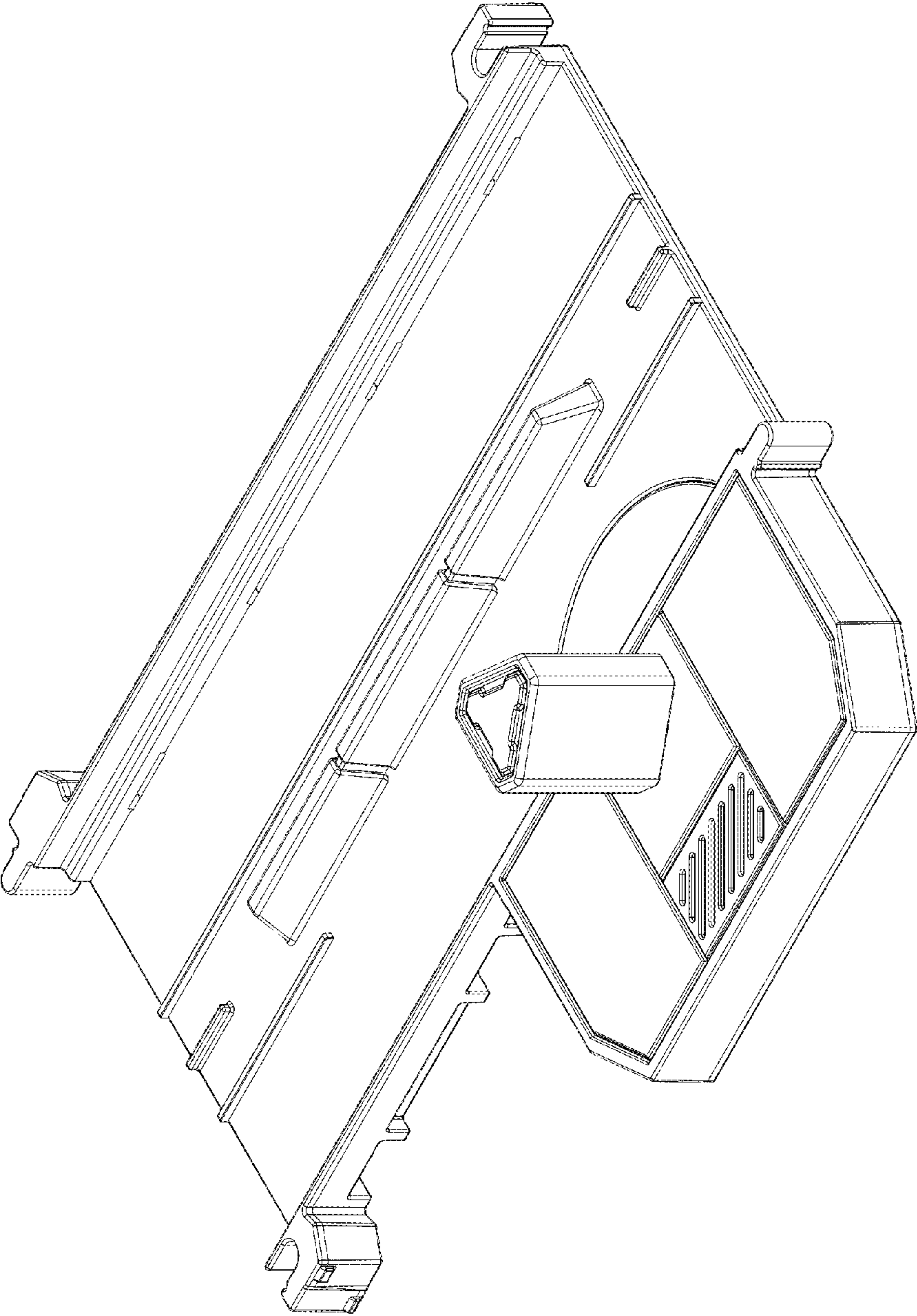


FIGURE 2

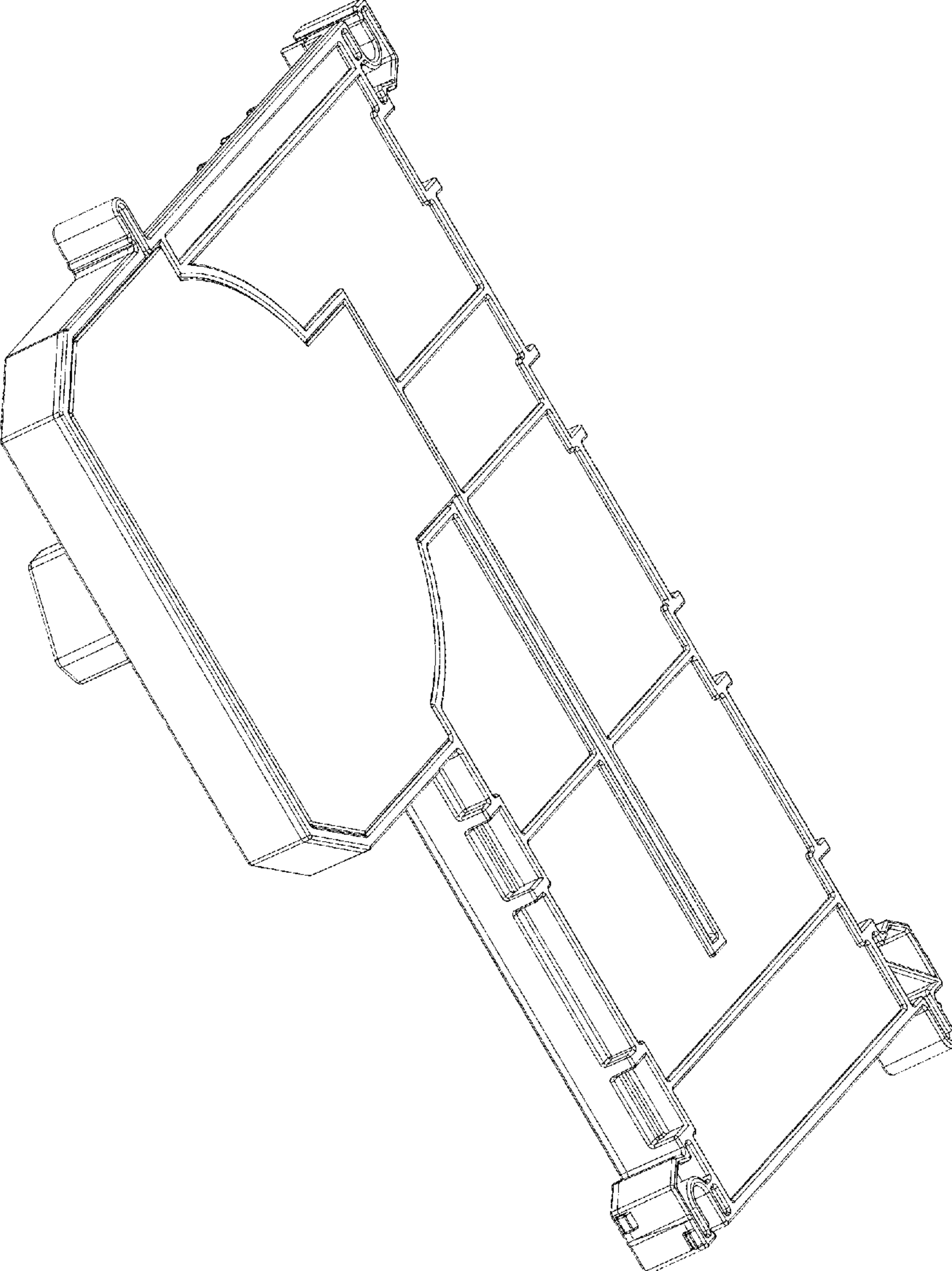


FIGURE 3

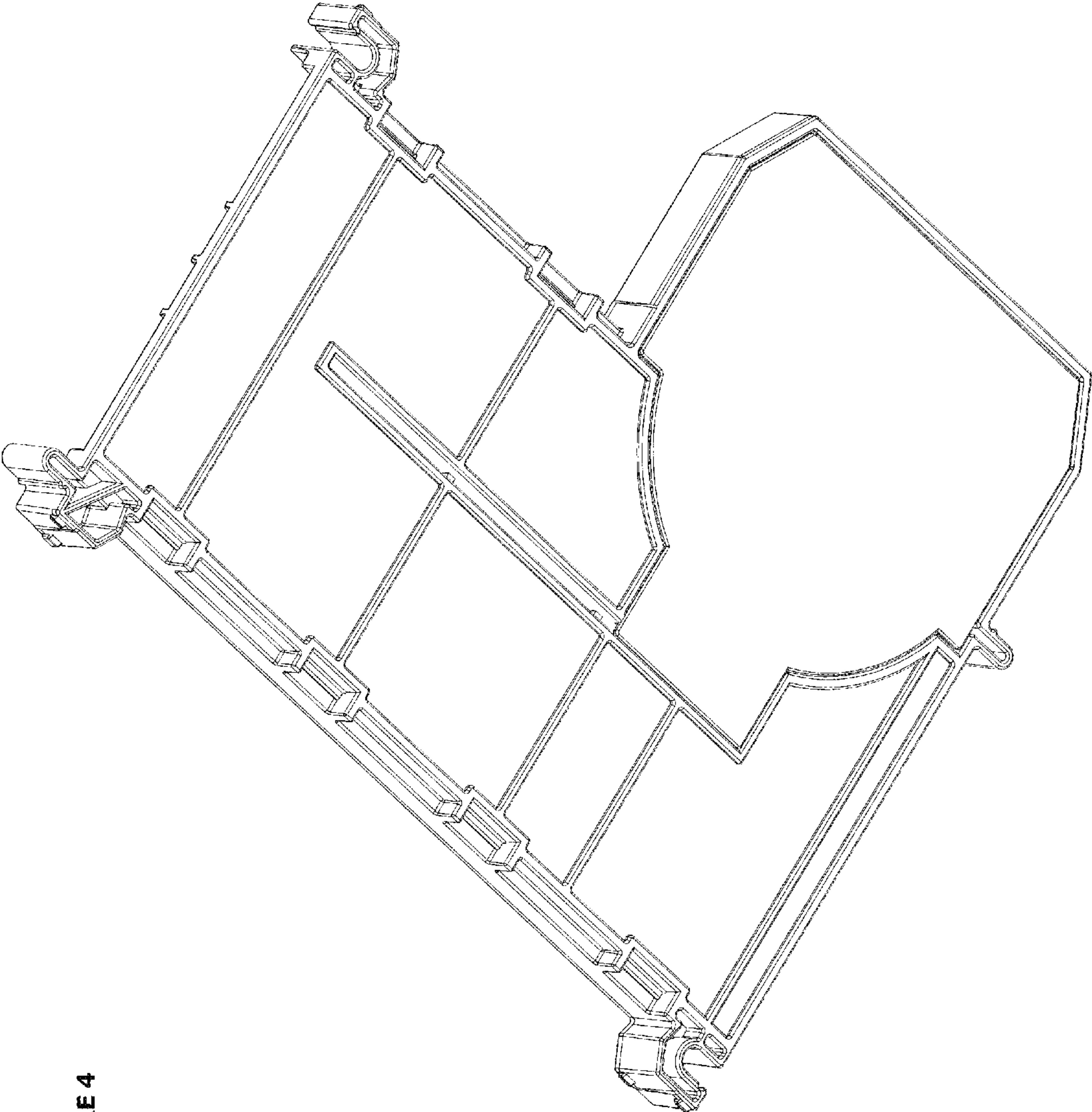


FIGURE 4

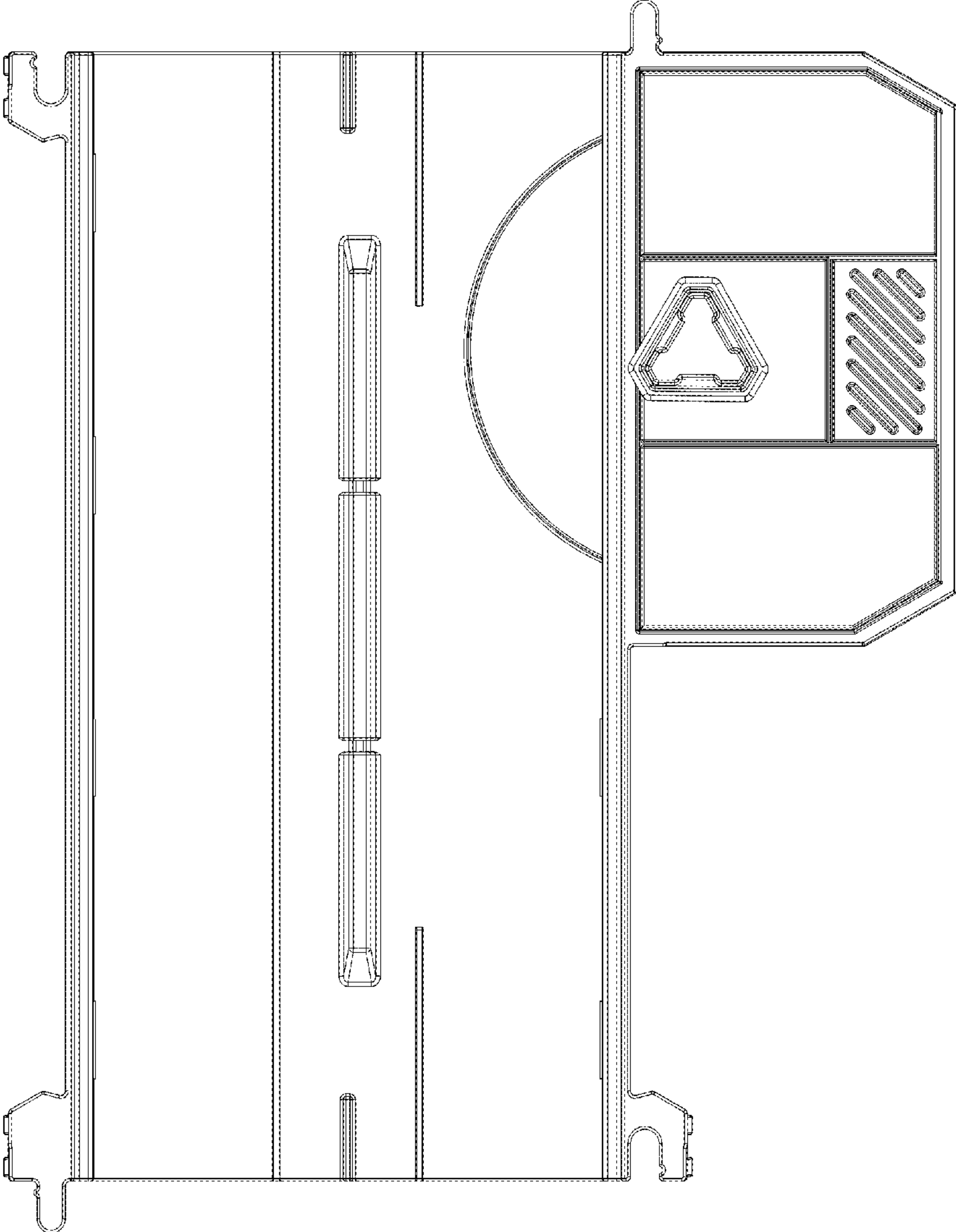


FIGURE 5

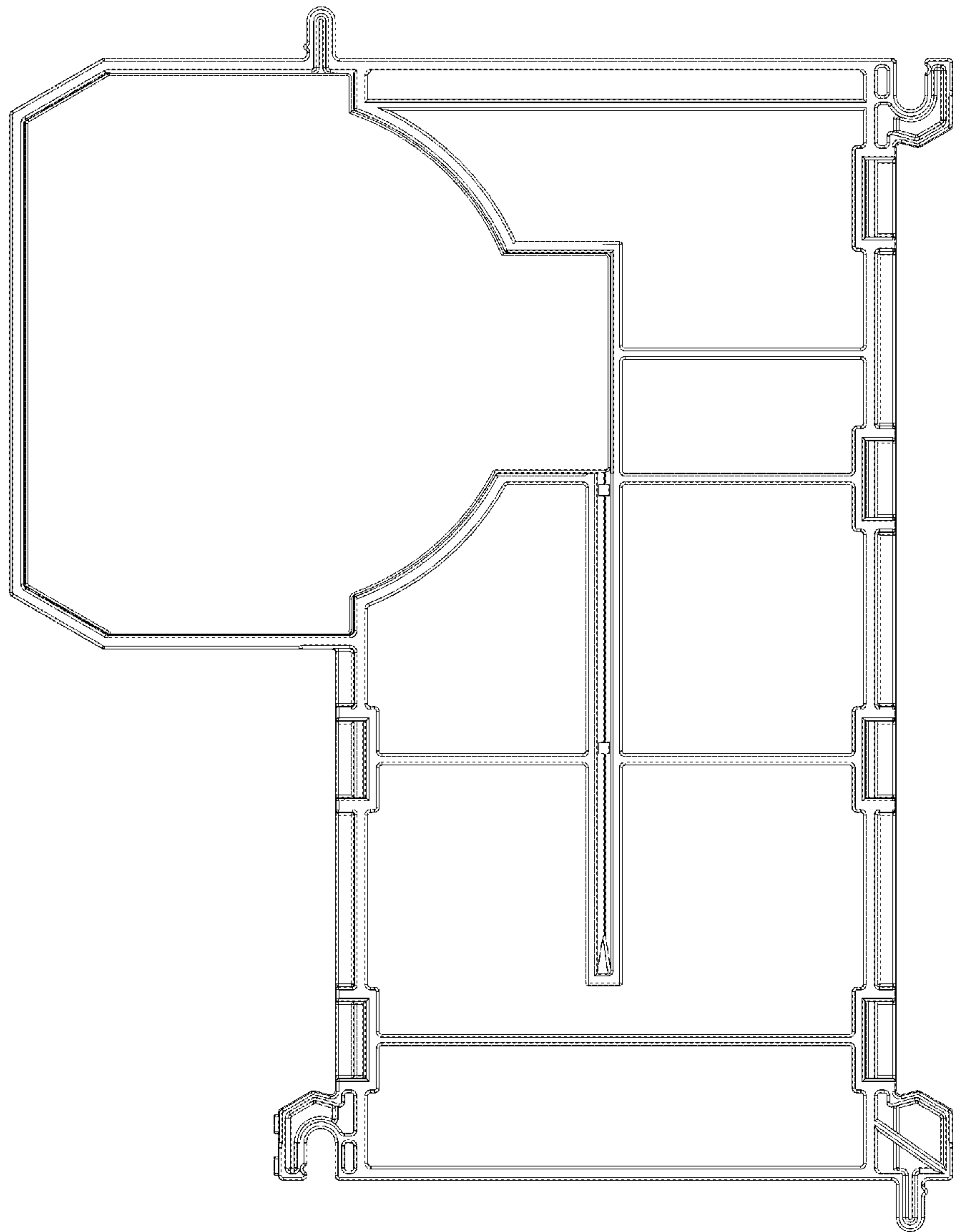


FIGURE 6

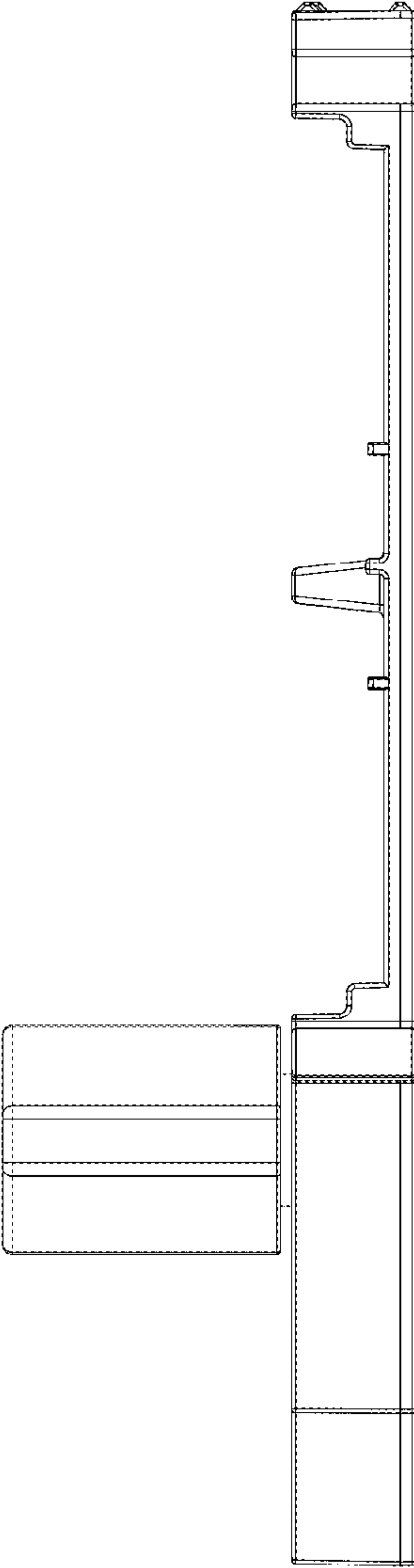


FIGURE 7

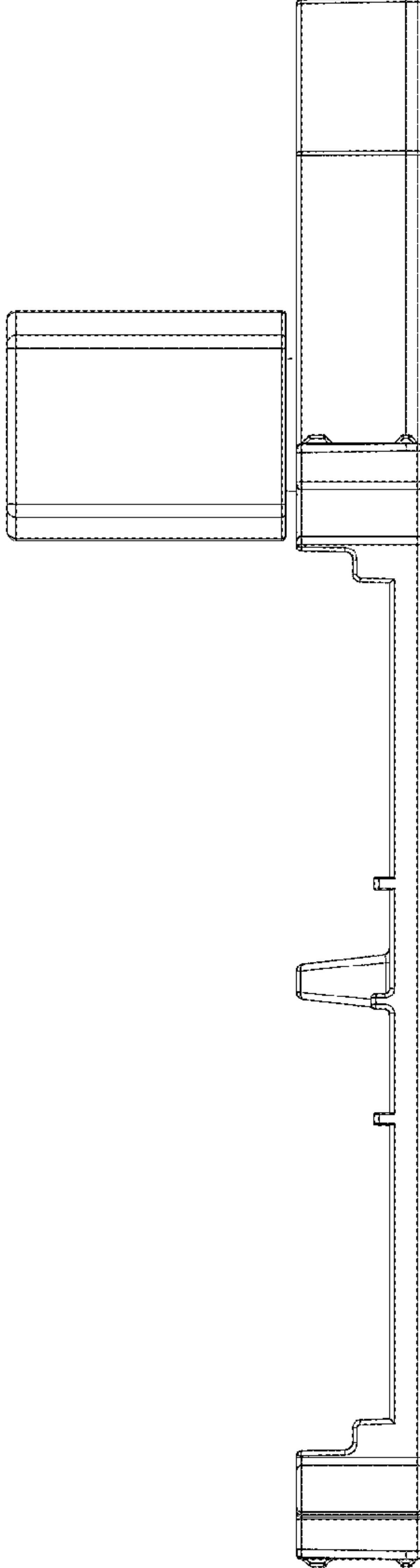


FIGURE 8

FIGURE 9

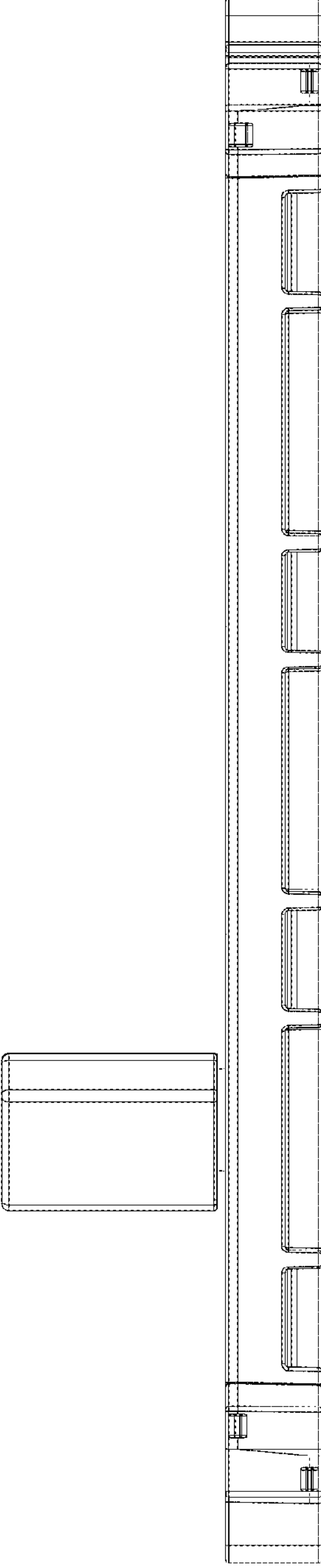


FIGURE 10

