



US00D689144S

(12) **United States Design Patent**
Mimlitch, III et al.

(10) **Patent No.:** **US D689,144 S**
(45) **Date of Patent:** **** Sep. 3, 2013**

(54) **TOLL BOOTH TRACK COMPONENT**

(75) Inventors: **Robert H. Mimlitch, III**, Rowlett, TX (US); **David Anthony Norman**, Greenville, TX (US); **Douglas Michael Galletti**, Allen, TX (US); **Raul Olivera**, Greenville, TX (US); **Gregory Lavender**, Rockwall, TX (US); **Gregory Needel**, Rockwall, TX (US); **Jeffrey Russell Waegelin**, Rockwall, TX (US)

(73) Assignee: **Innovation First, Inc.**, Greenville, TX (US)

(**) Term: **14 Years**

(21) Appl. No.: **29/429,041**

(22) Filed: **Aug. 7, 2012**

(51) **LOC (9) Cl.** **21-01**

(52) **U.S. Cl.**
USPC **D21/565**

(58) **Field of Classification Search**
USPC D21/484, 490, 493, 509, 564, 565, D21/802, 818, 821; 446/168-174, 84, 89, 446/108, 112, 114, 116, 124-128, 429, 444-447; 463/58-69; 238/10 R, 10 A-10 C, 10 E, 238/10 F; 104/60, 69

See application file for complete search history.

(56) **References Cited**

U.S. PATENT DOCUMENTS

3,589,063	A *	6/1971	Genin	238/10 F
3,970,309	A *	7/1976	Sato	463/59
D306,466	S *	3/1990	Elliott et al.	D21/564
5,085,148	A *	2/1992	Konno	104/130.09
5,131,881	A *	7/1992	Okada	446/424
5,174,569	A *	12/1992	Ngai	463/63
D350,168	S *	8/1994	Ruszkai	D21/483

D361,802	S *	8/1995	Shiraishi	D21/564
5,791,253	A *	8/1998	Schultheis et al.	104/53
6,179,686	B1 *	1/2001	Ogawa et al.	446/429
6,762,586	B2 *	7/2004	Choi	320/107
7,938,068	B2 *	5/2011	Parker et al.	104/53

* cited by examiner

Primary Examiner — Cynthia M Chin

(74) *Attorney, Agent, or Firm* — Adam K. Sacharoff

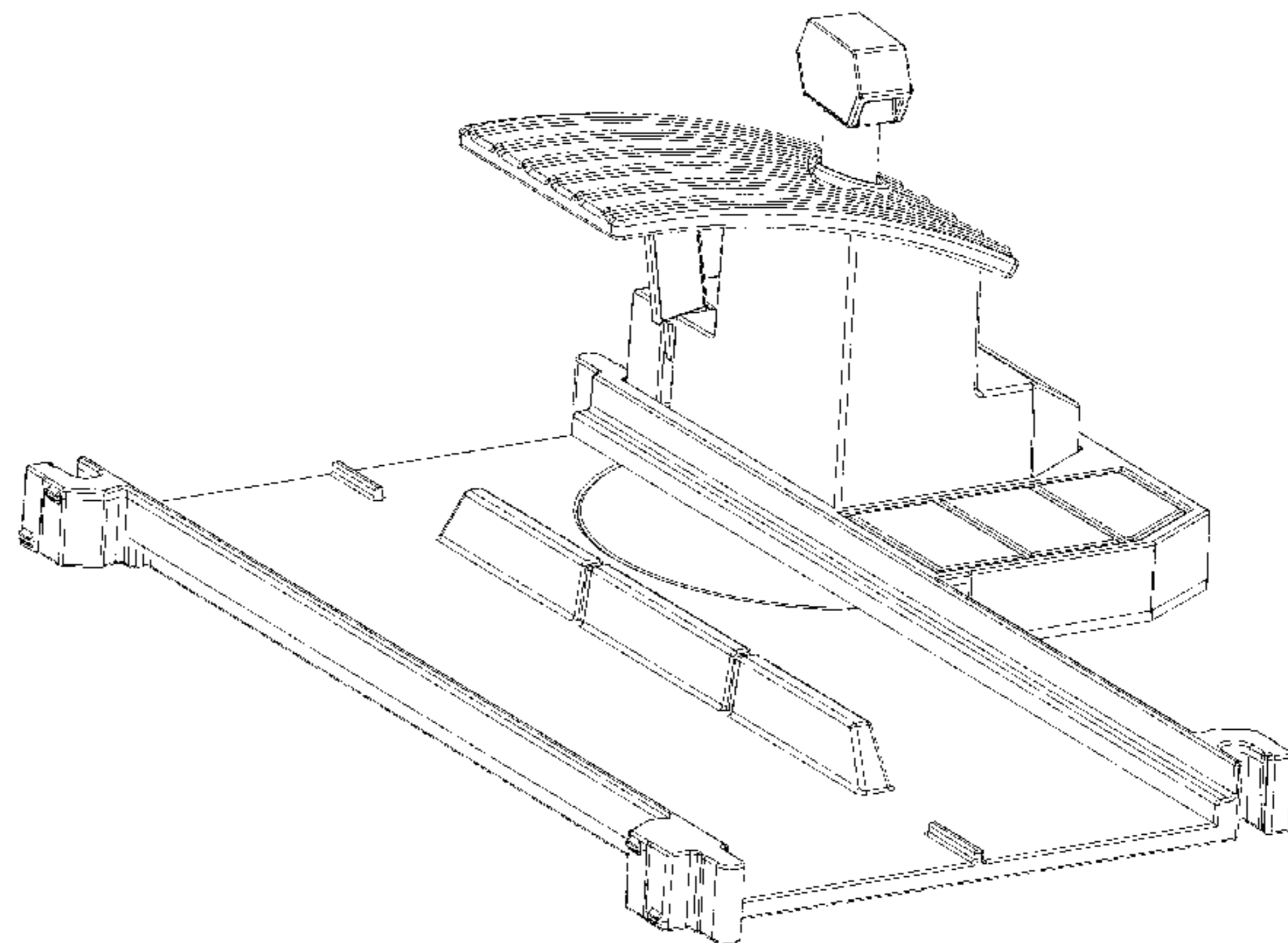
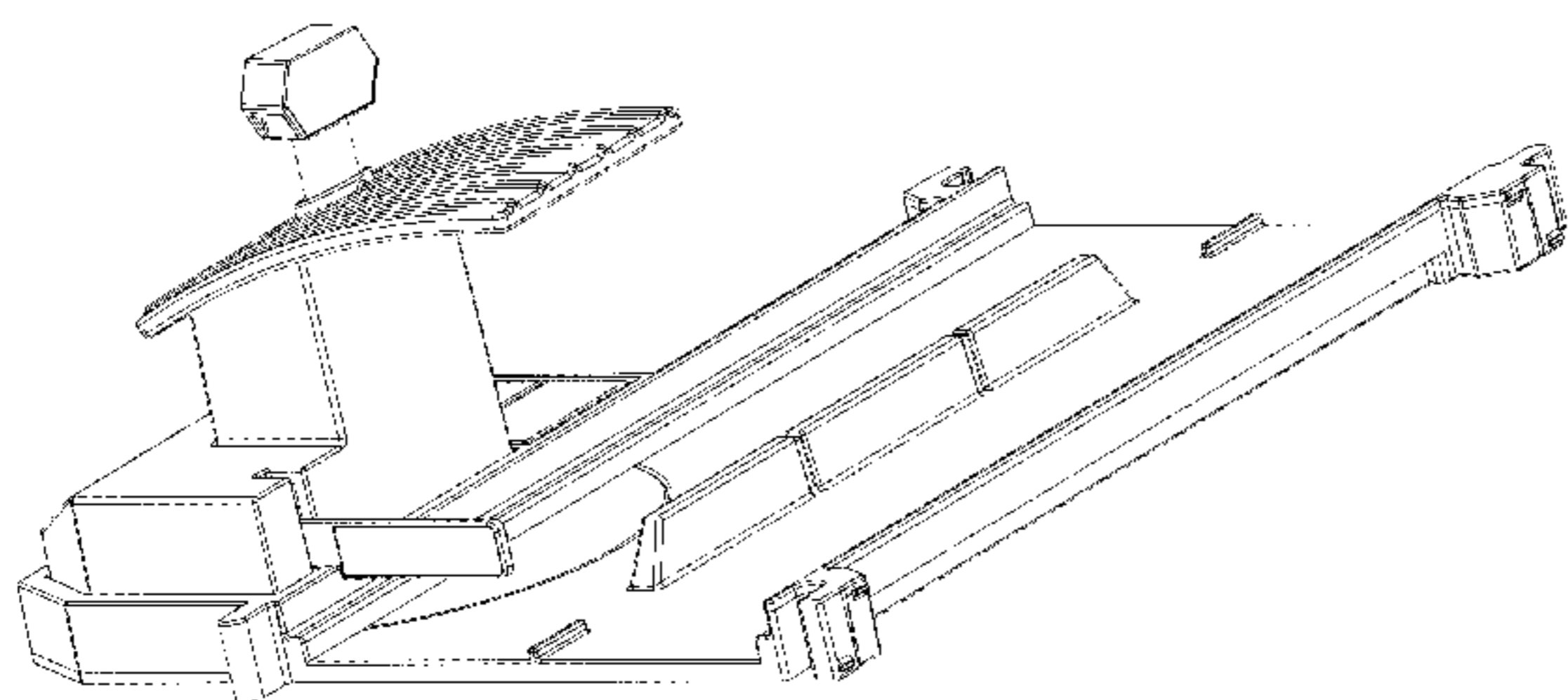
(57) **CLAIM**

The ornamental design for a toll booth track component, as shown and described.

DESCRIPTION

FIG. 1 is a front-top perspective view showing a toll booth track component illustrating the toll in a down position; FIG. 2 is a rear-top perspective view of FIG. 1; FIG. 3 is a bottom-front perspective view of FIG. 1; FIG. 4 is a bottom-rear perspective view of FIG. 1; FIG. 5 is a top side view of FIG. 1; FIG. 6 is a bottom side view of FIG. 1; FIG. 7 is a front side view of FIG. 1; FIG. 8 is a rear side view of FIG. 1; FIG. 9 is a left side view of FIG. 1; FIG. 10 is a right side view of FIG. 1; FIG. 11 is a front-top perspective view showing a toll booth track component of FIG. 1 illustrating the toll in an up position; FIG. 12 is a rear-top perspective view of FIG. 11; FIG. 13 is a bottom-front perspective view of FIG. 11; FIG. 14 a bottom-rear perspective view of FIG. 11; FIG. 15 a top side view of FIG. 11; FIG. 16 a bottom side view of FIG. 11; FIG. 17 a front side view of FIG. 11; FIG. 18 a rear side view of FIG. 11; FIG. 19 a left side view of FIG. 11; and, FIG. 20 a right side view of FIG. 11.

1 Claim, 20 Drawing Sheets



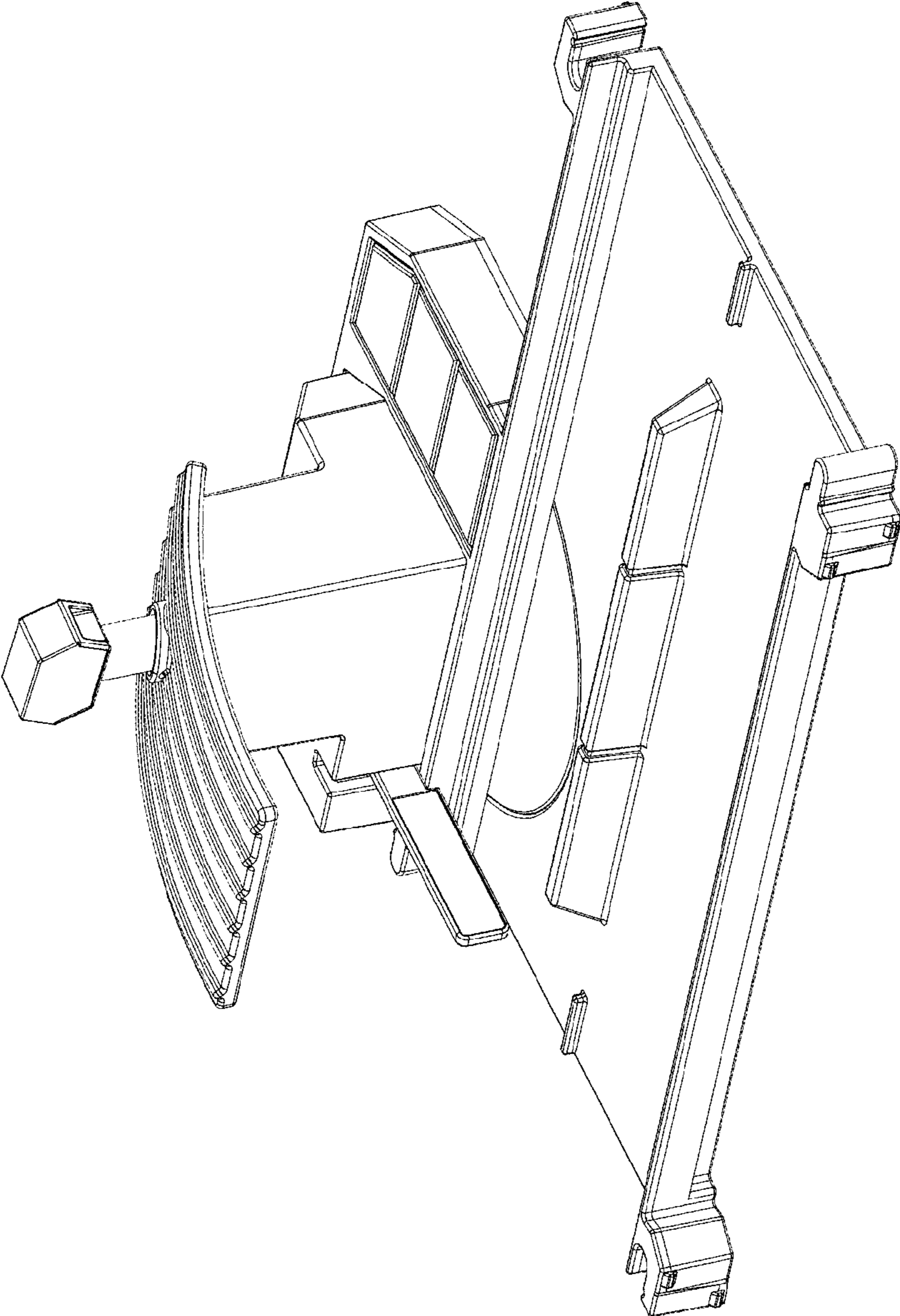


FIGURE 1

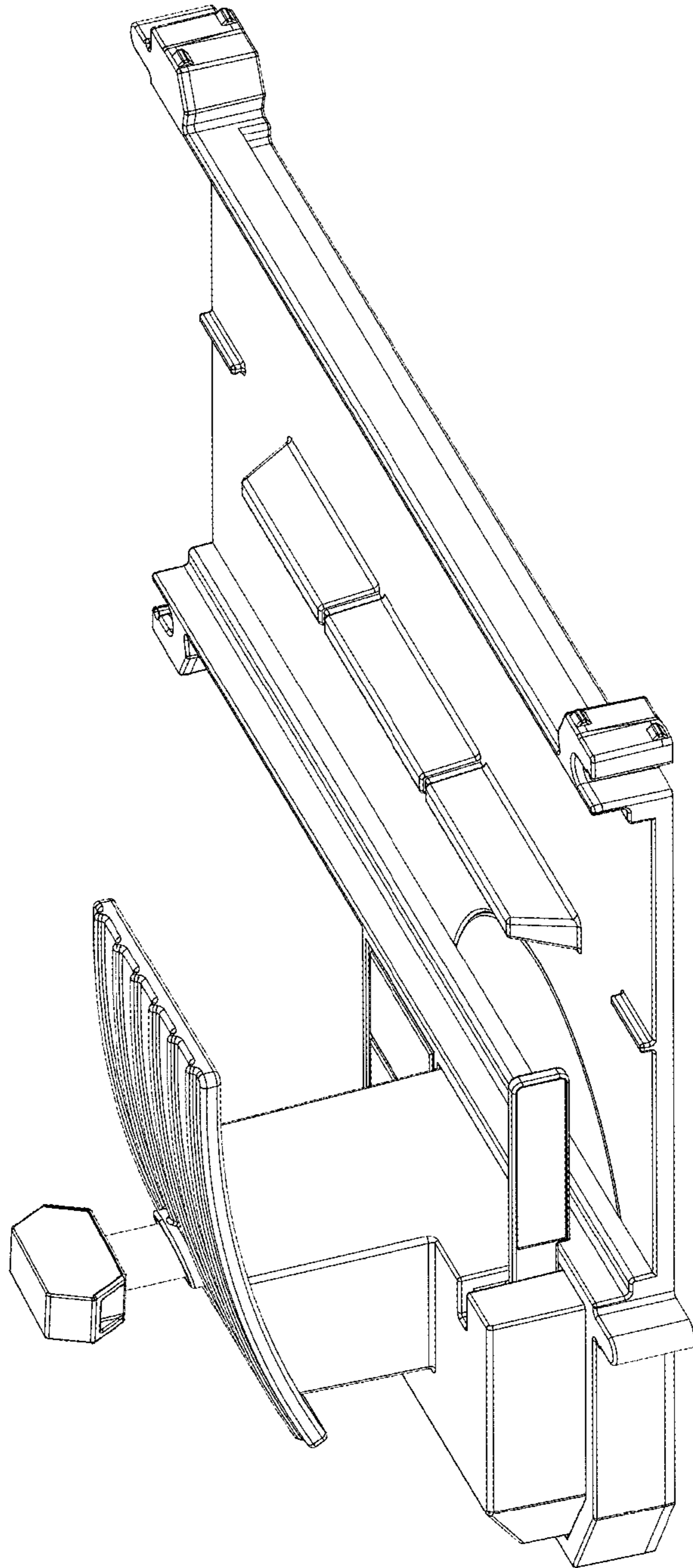


FIGURE 2

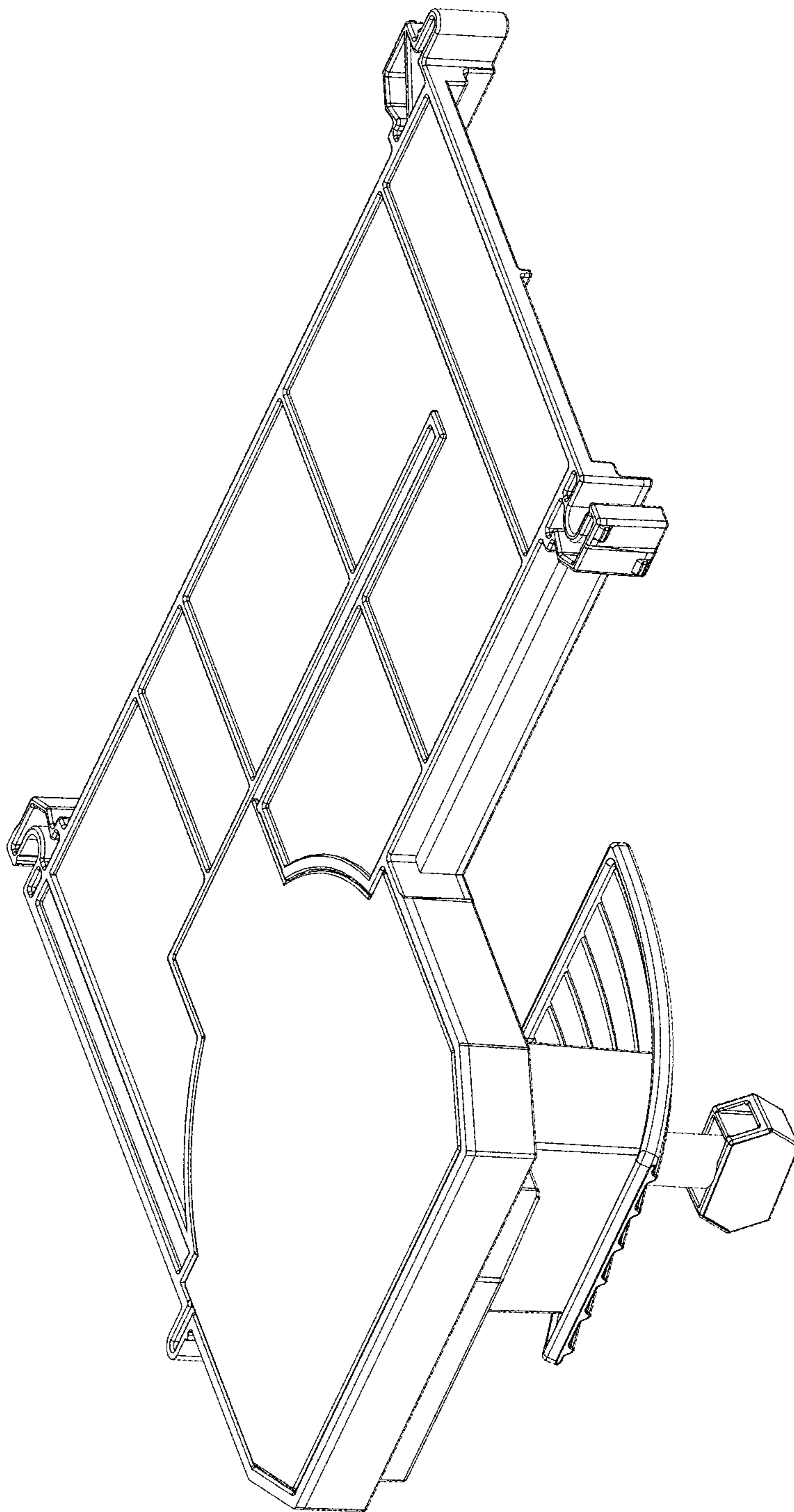


FIGURE 3

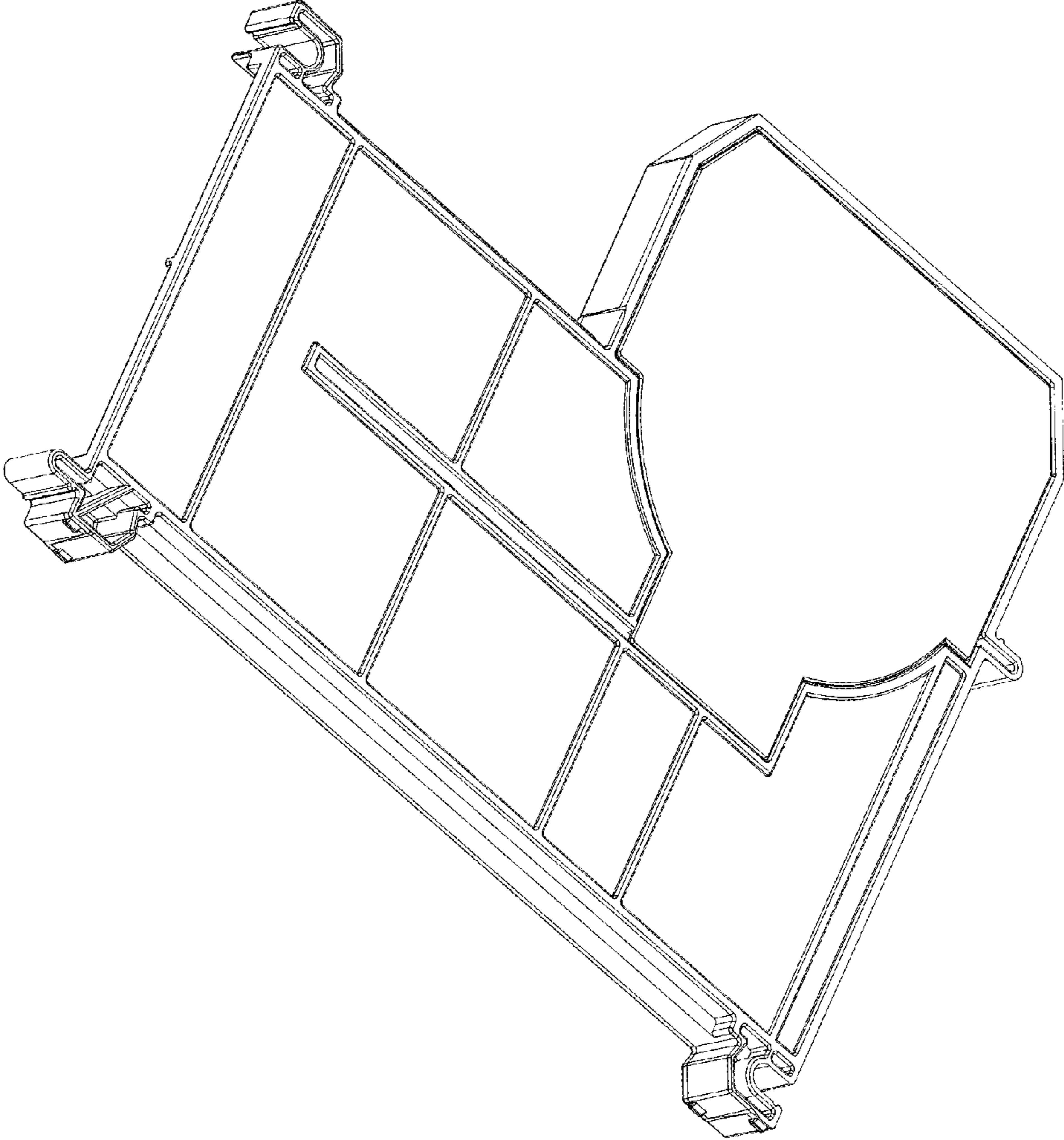


FIGURE 4

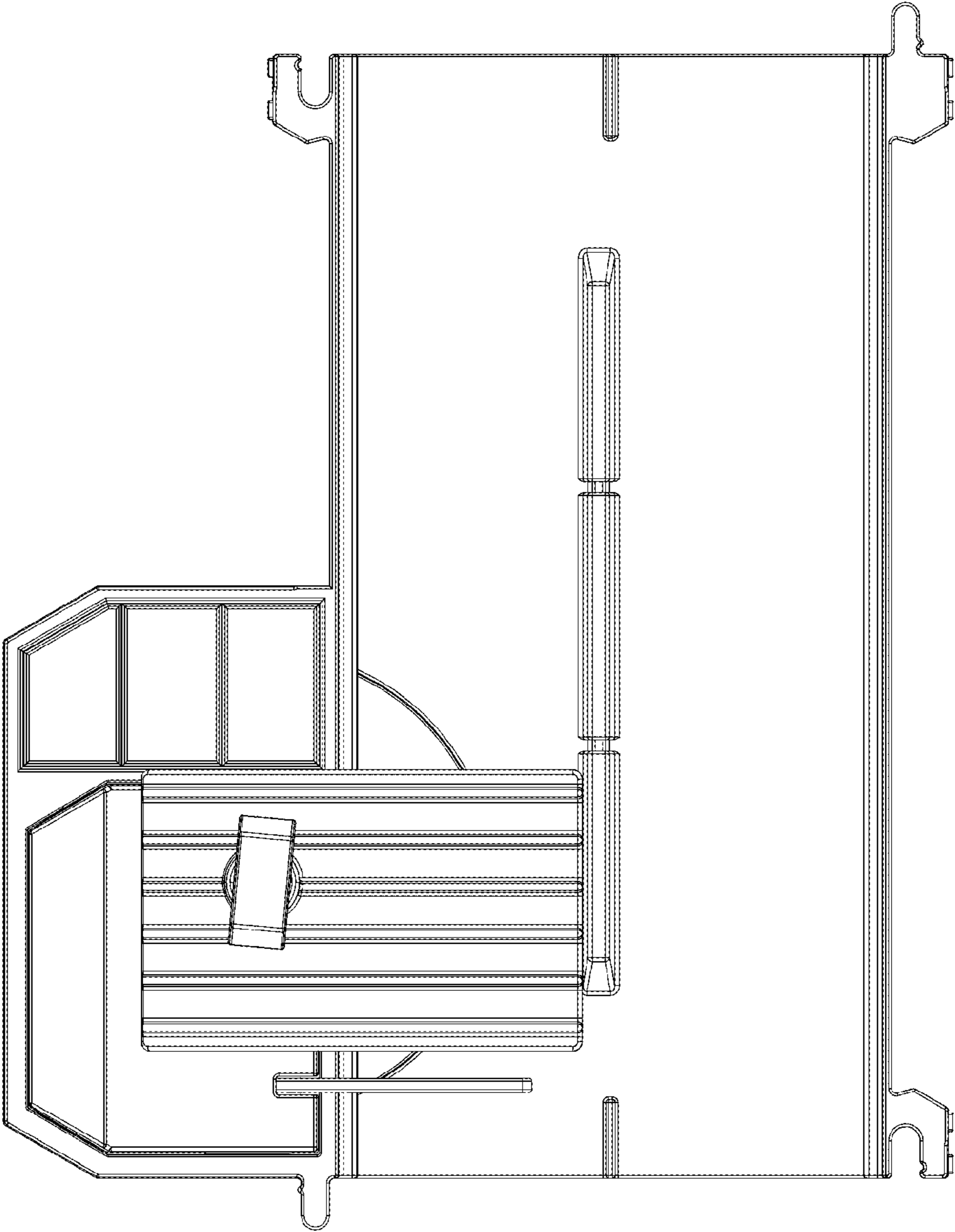


FIGURE 5

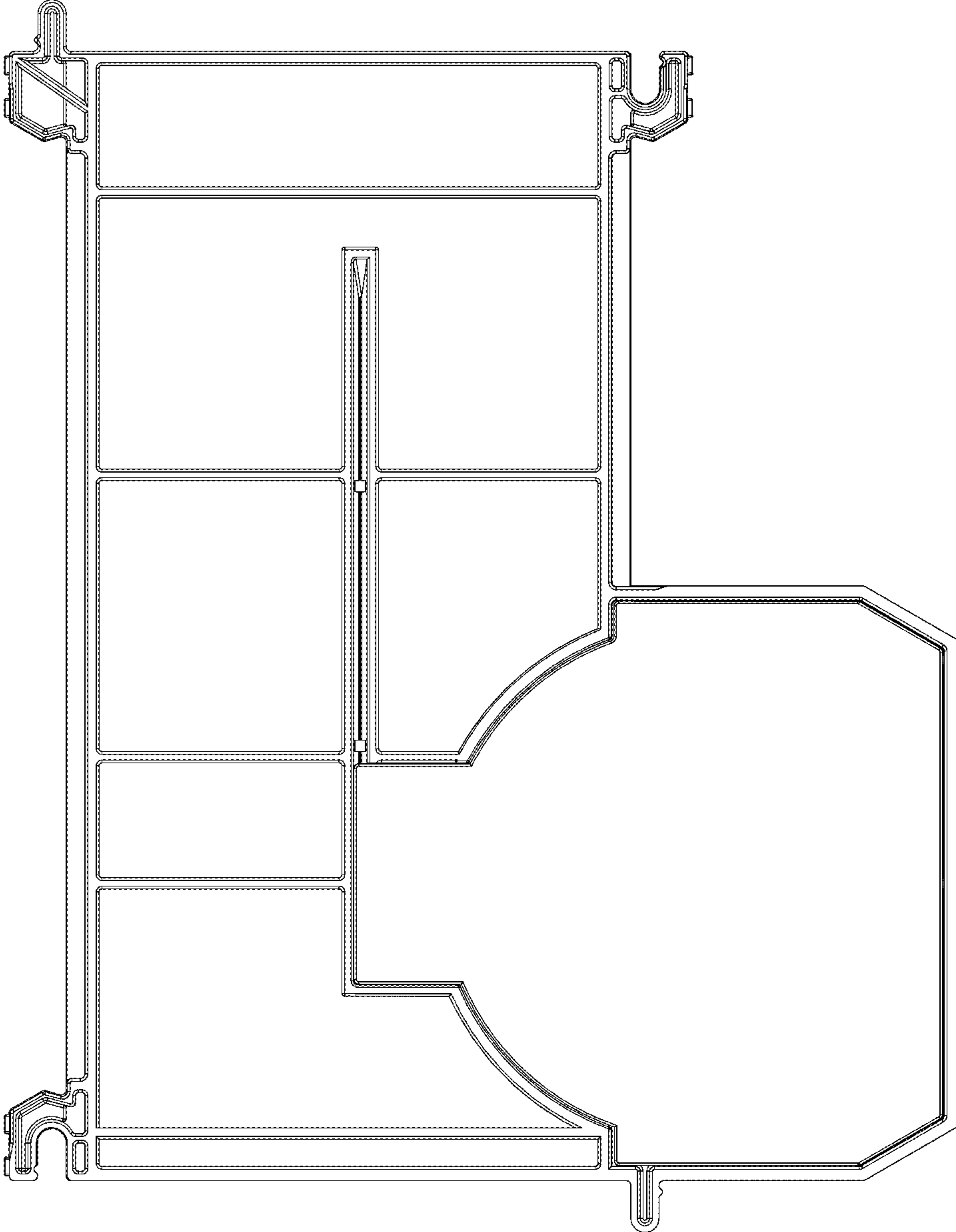


FIGURE 6

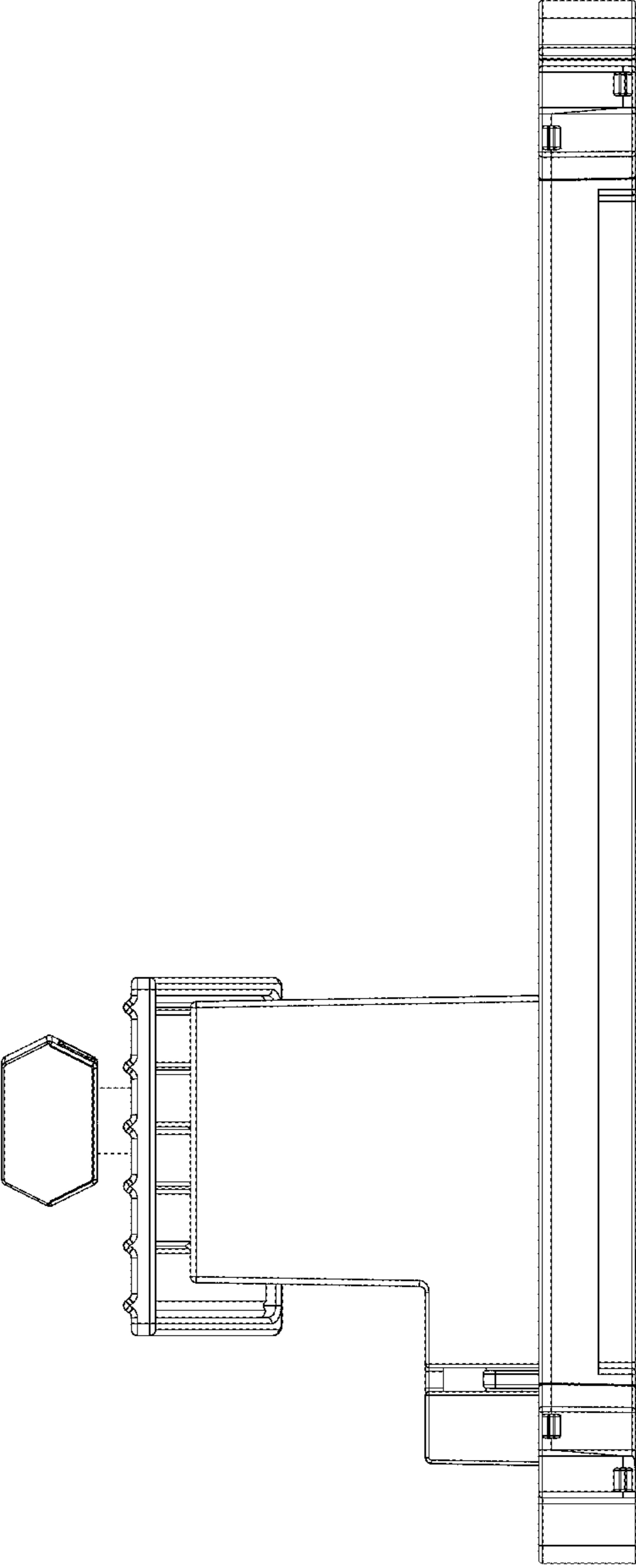


FIGURE 7

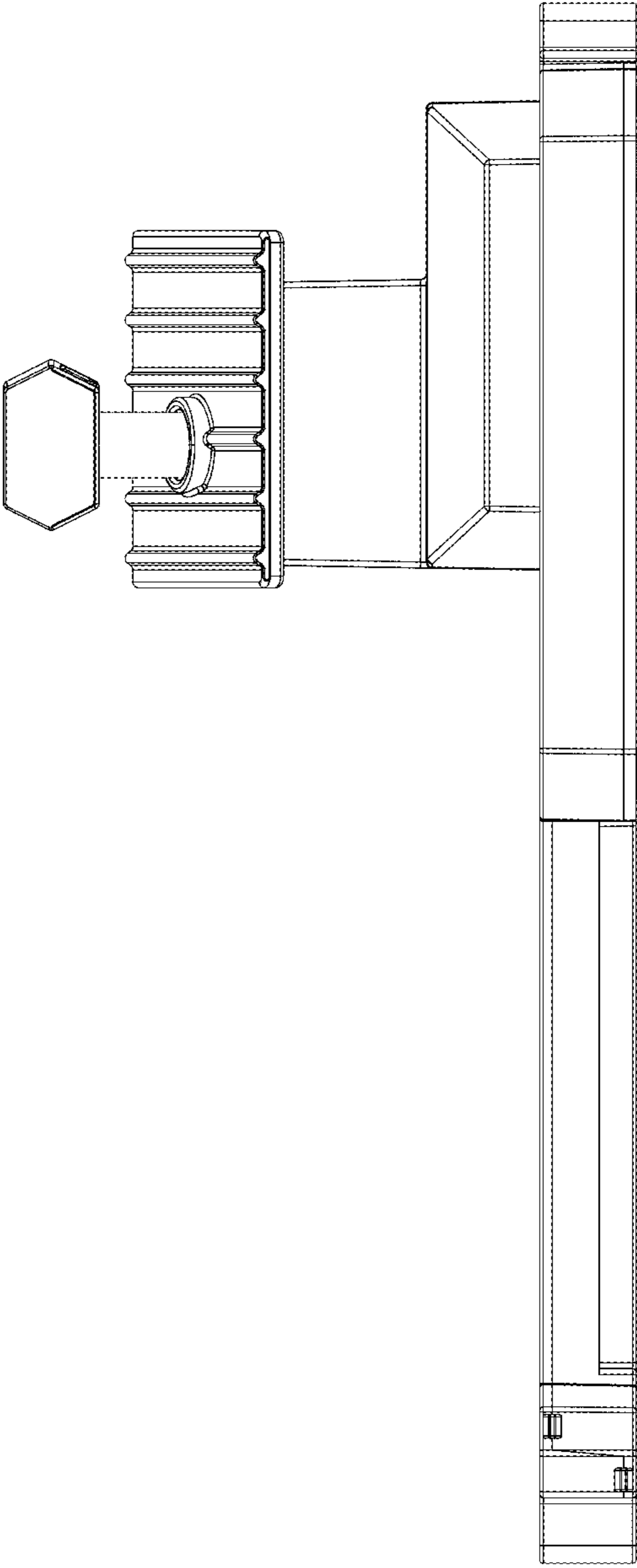


FIGURE 8

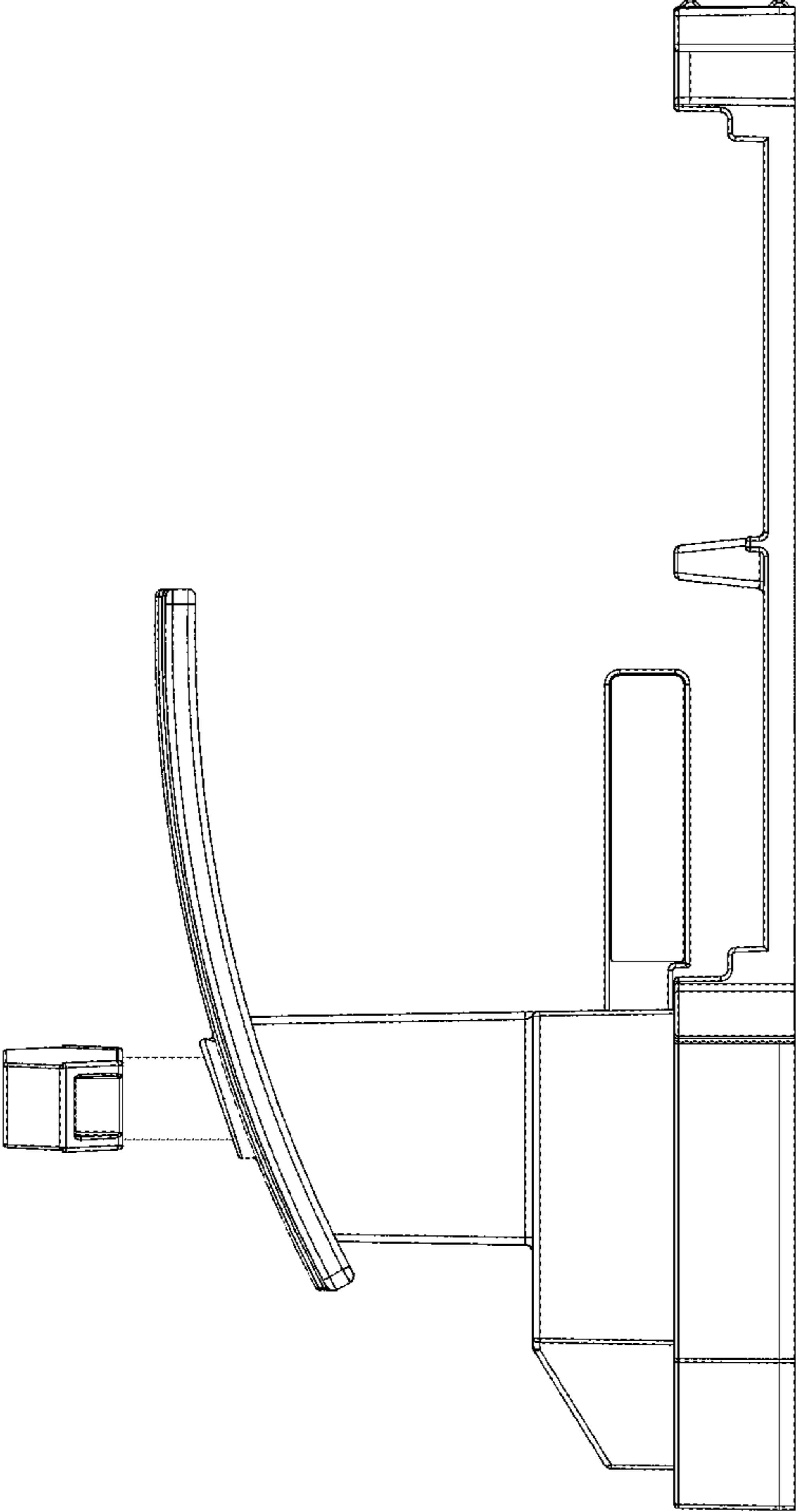


FIGURE 9

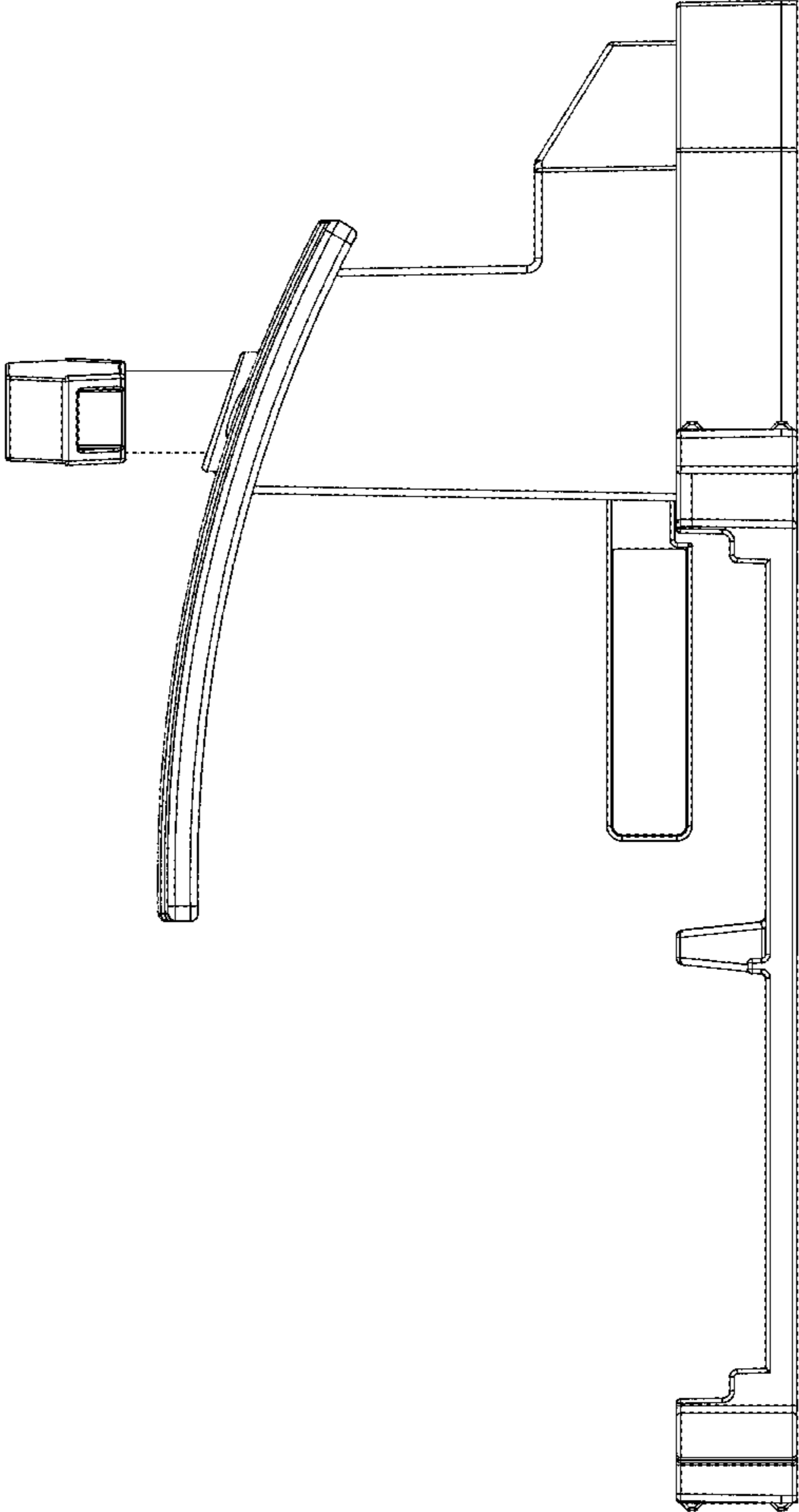


FIGURE 10

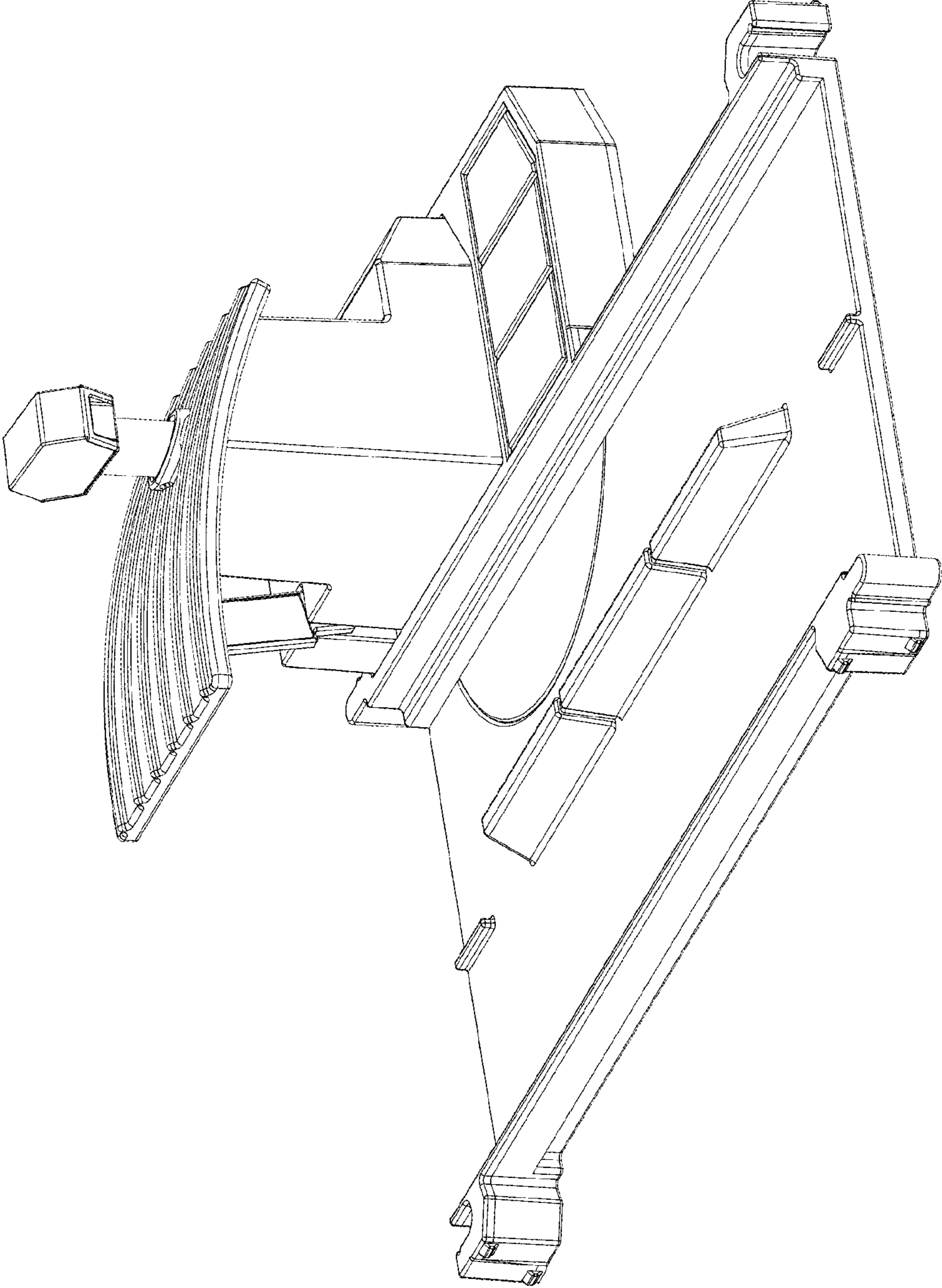


FIGURE 11

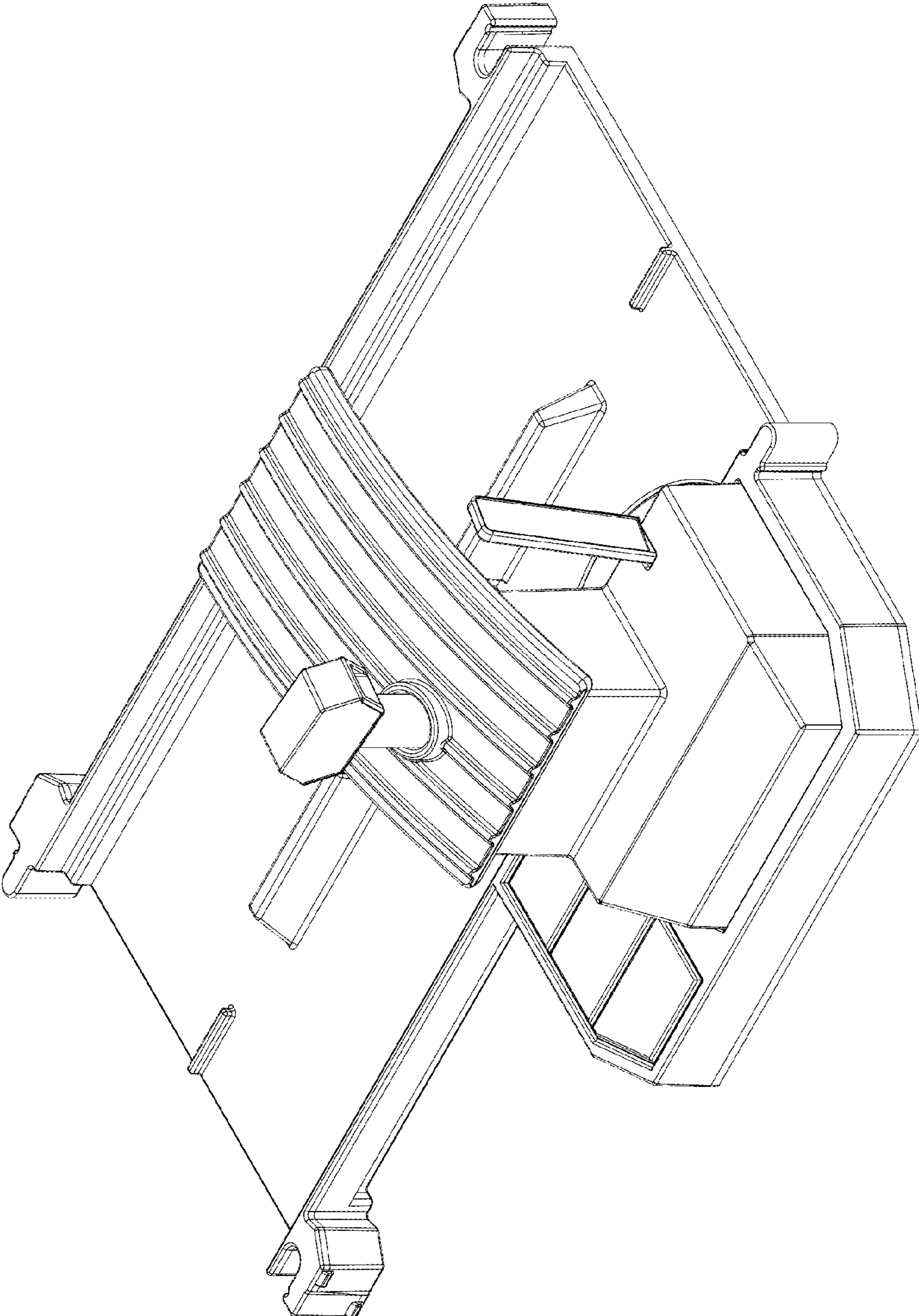


FIGURE 12

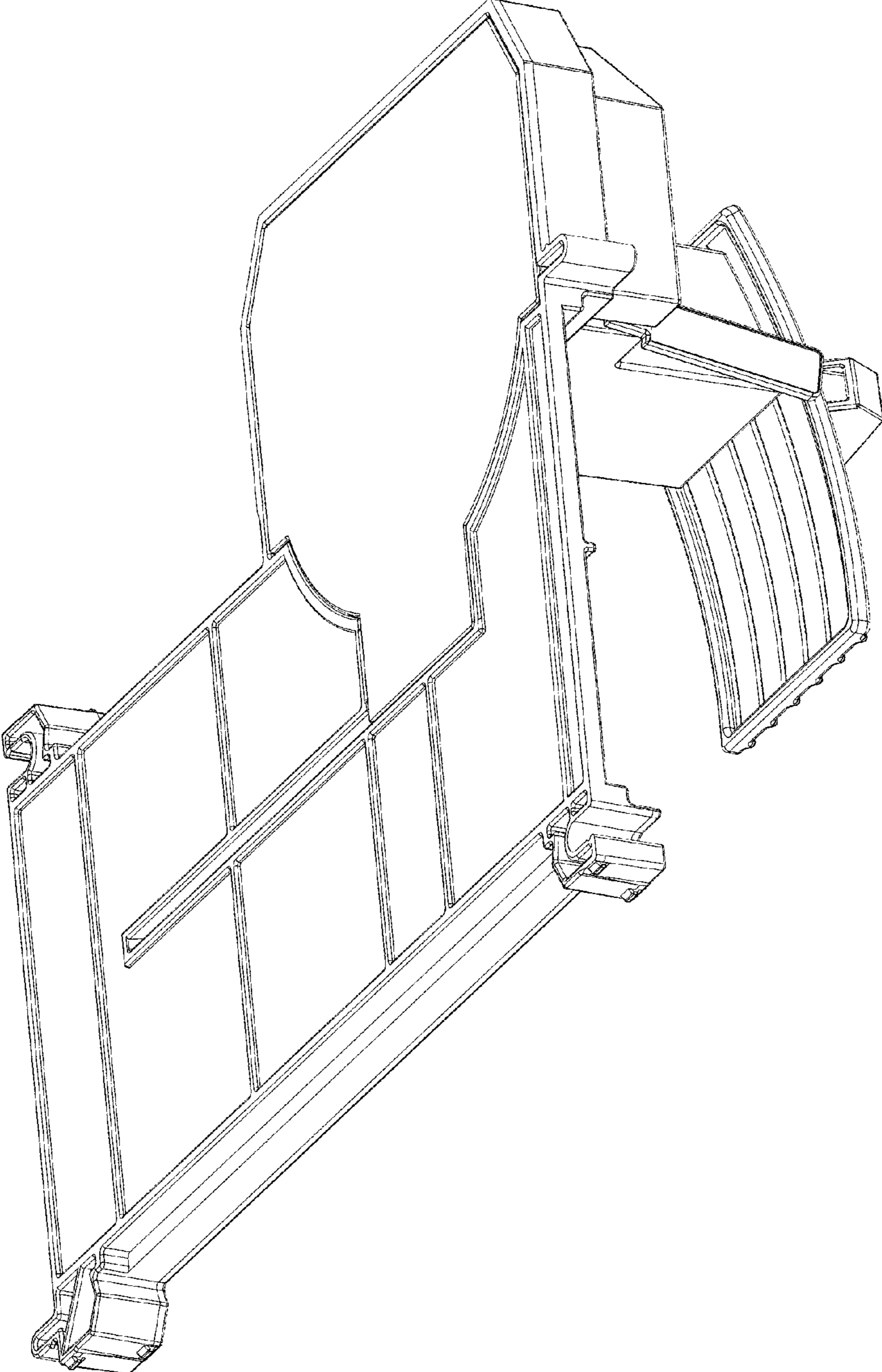


FIGURE 13

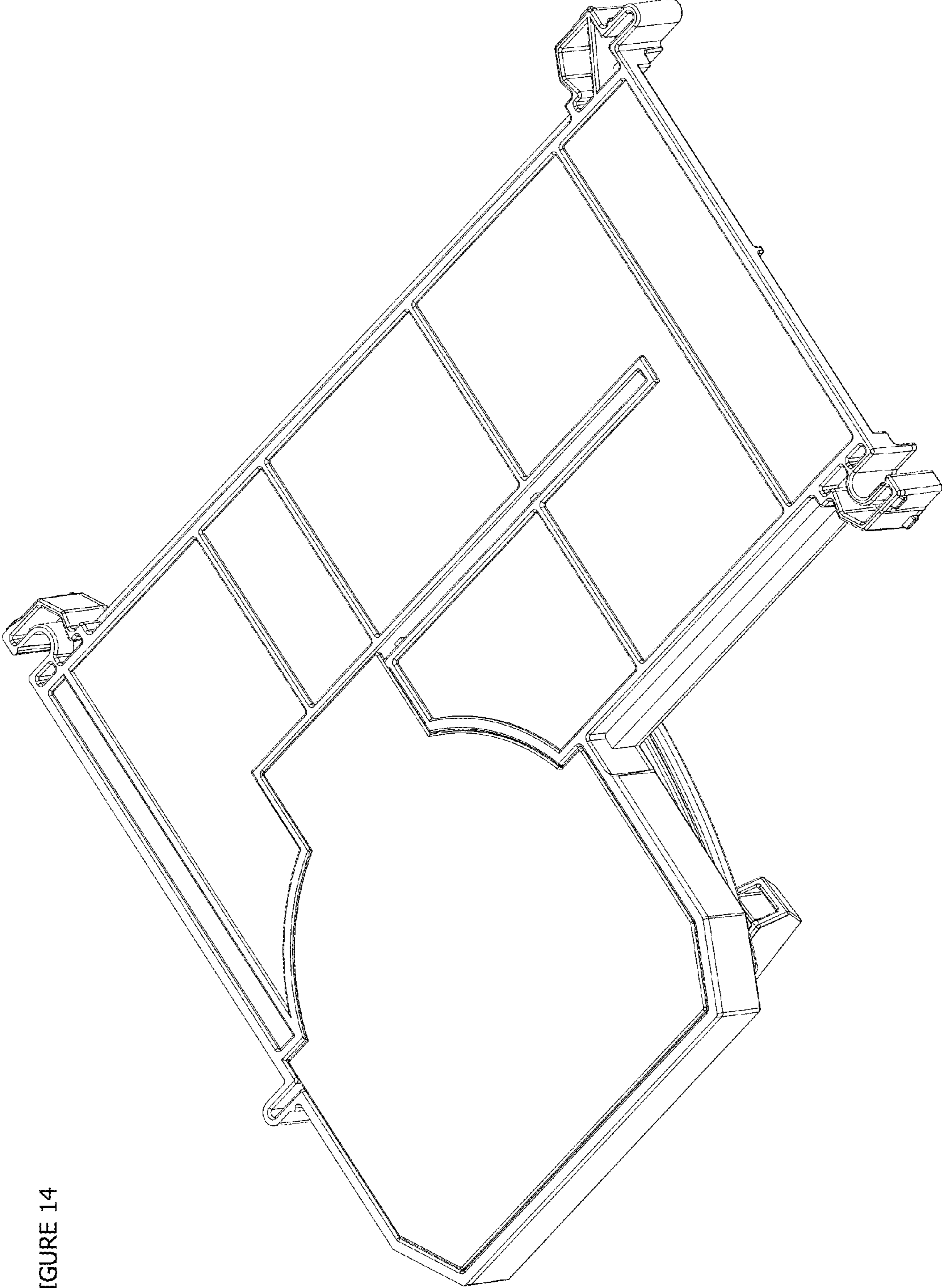


FIGURE 14

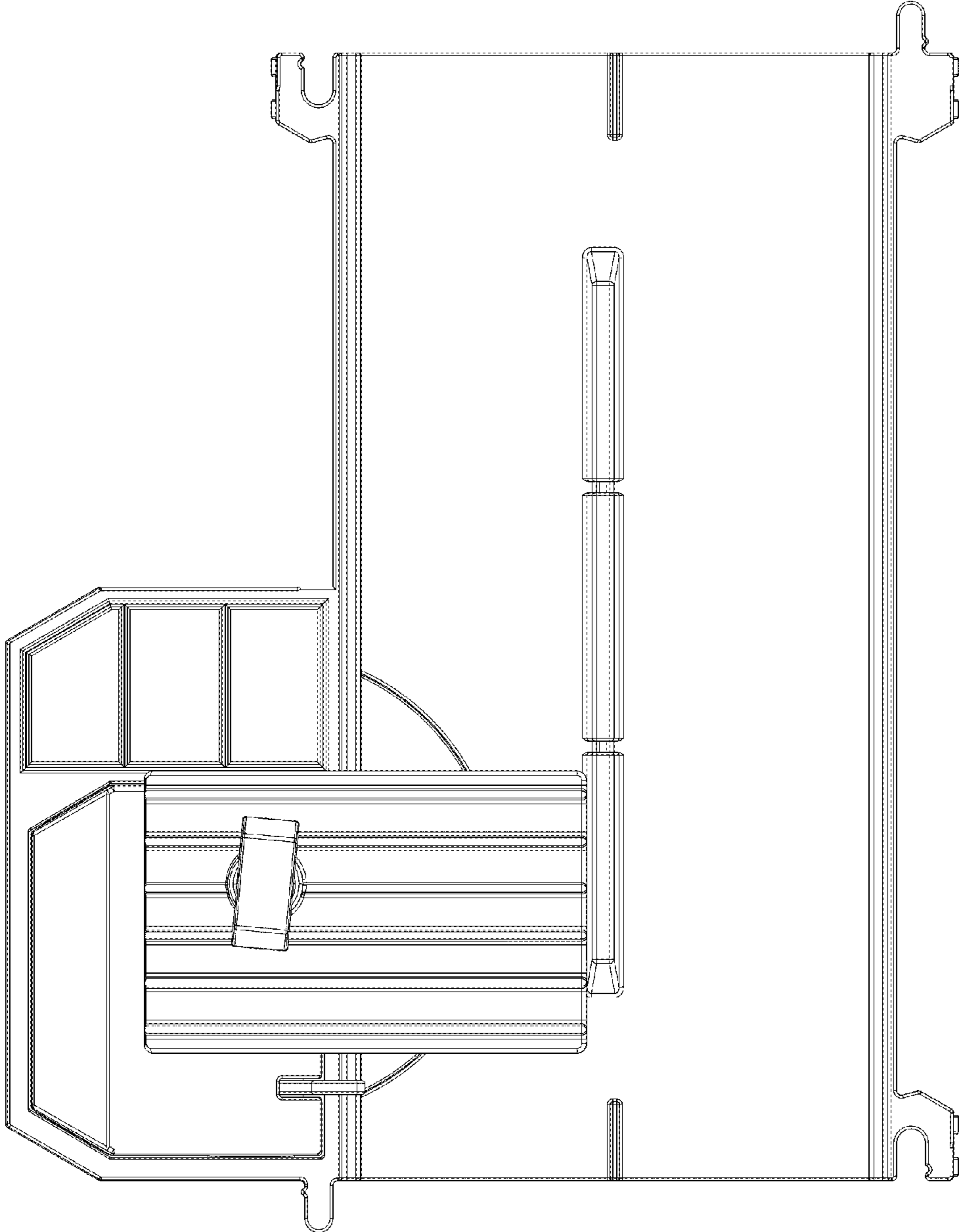


FIGURE 15

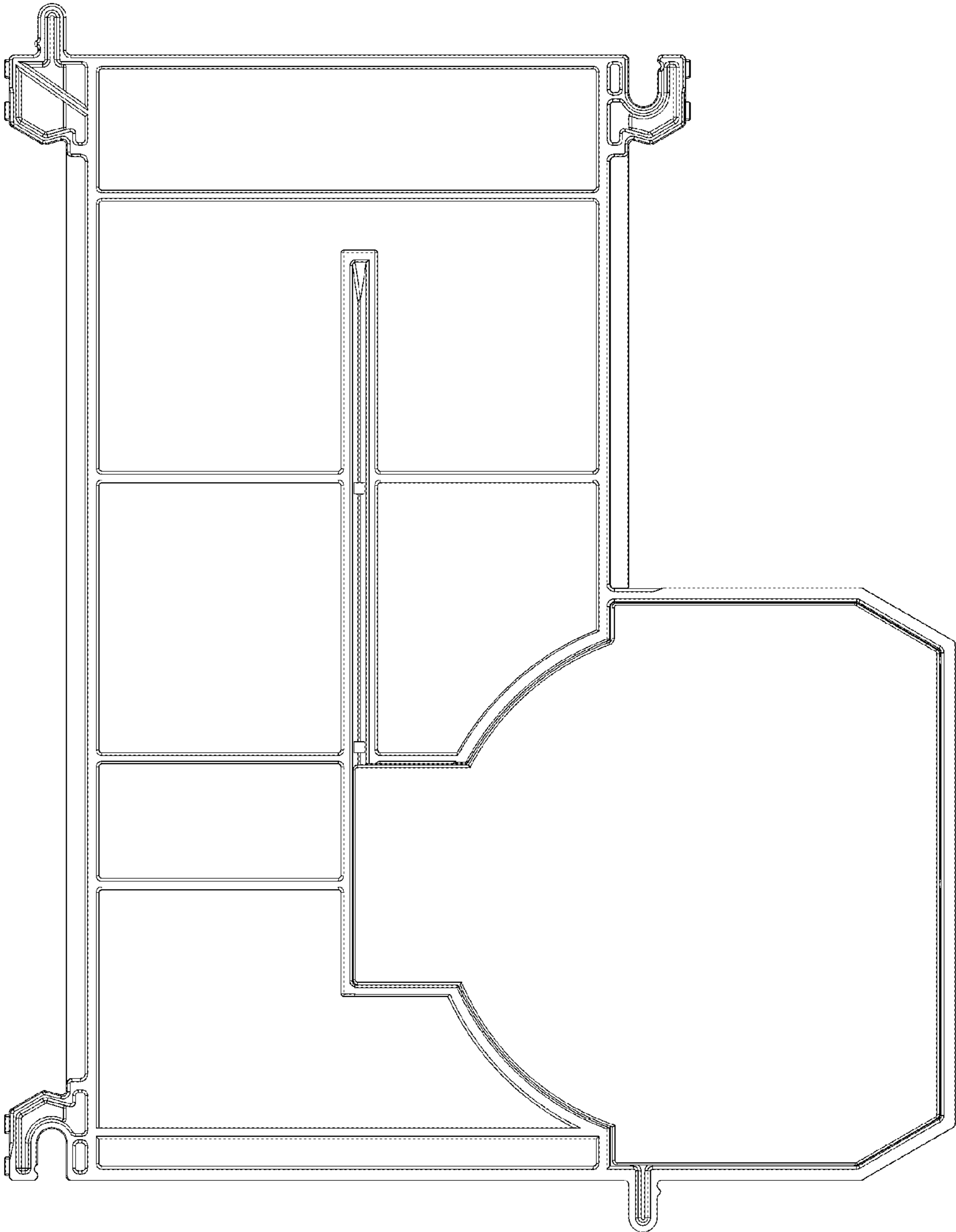


FIGURE 16

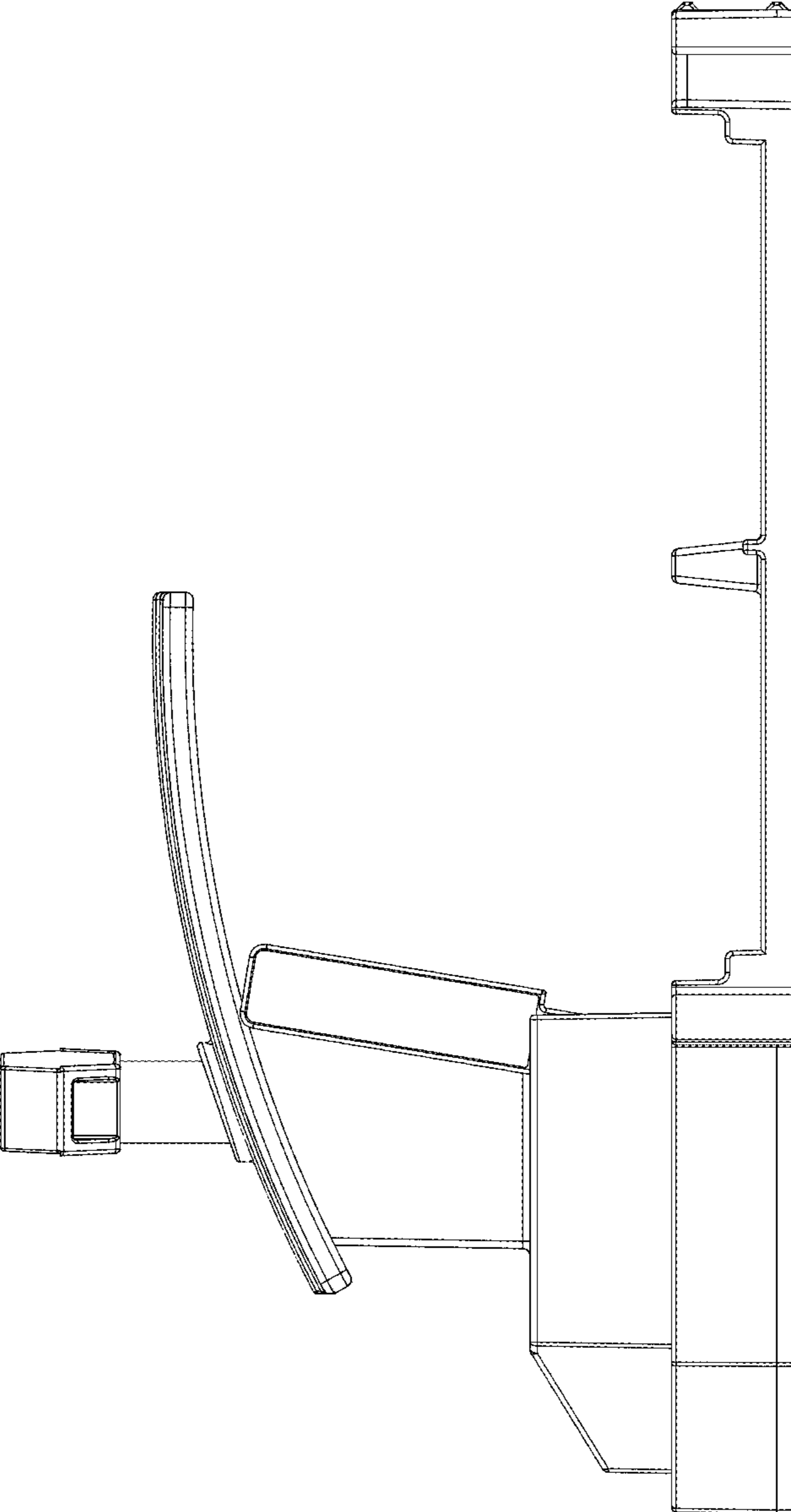


FIGURE 17

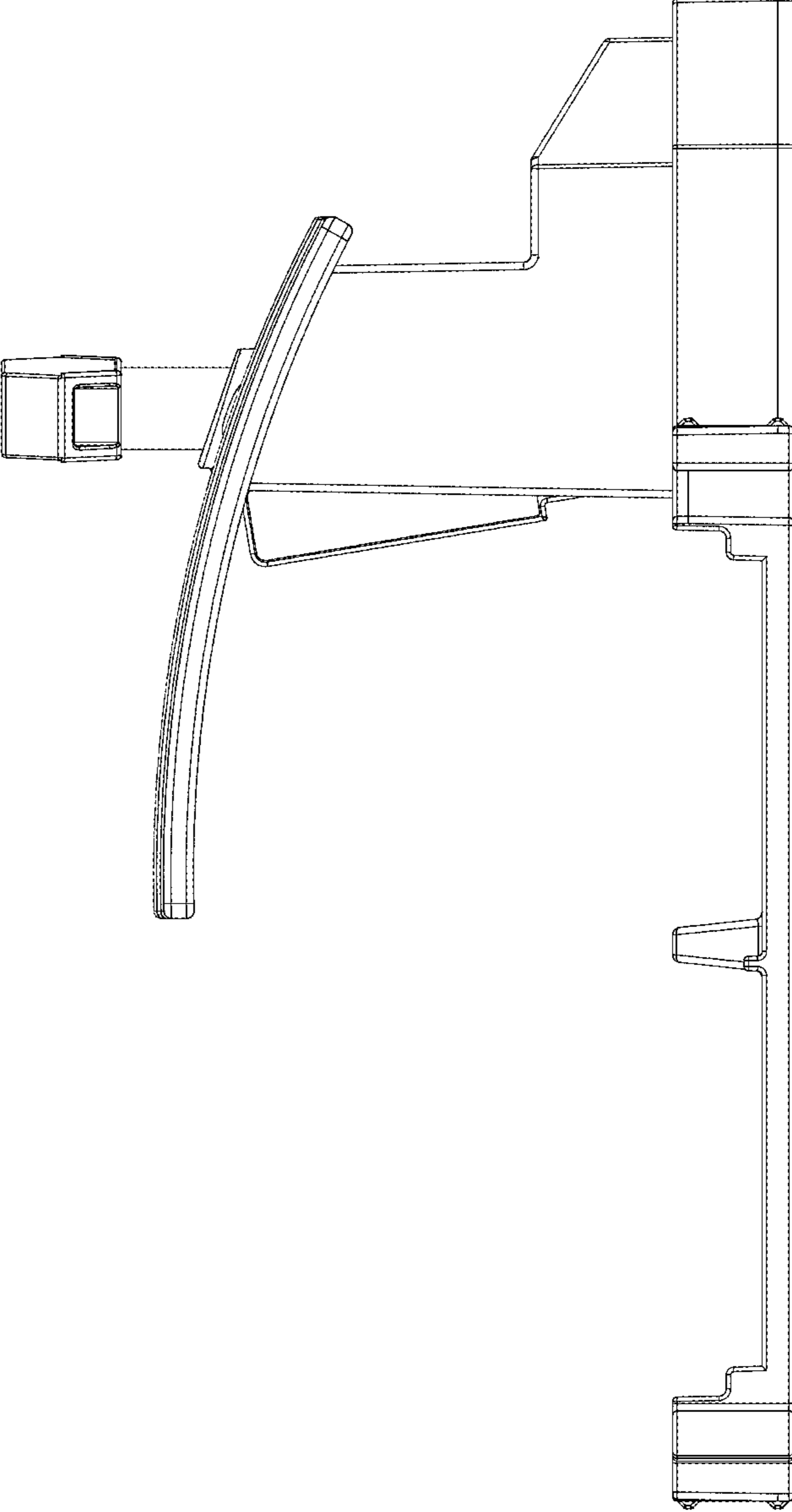


FIGURE 18

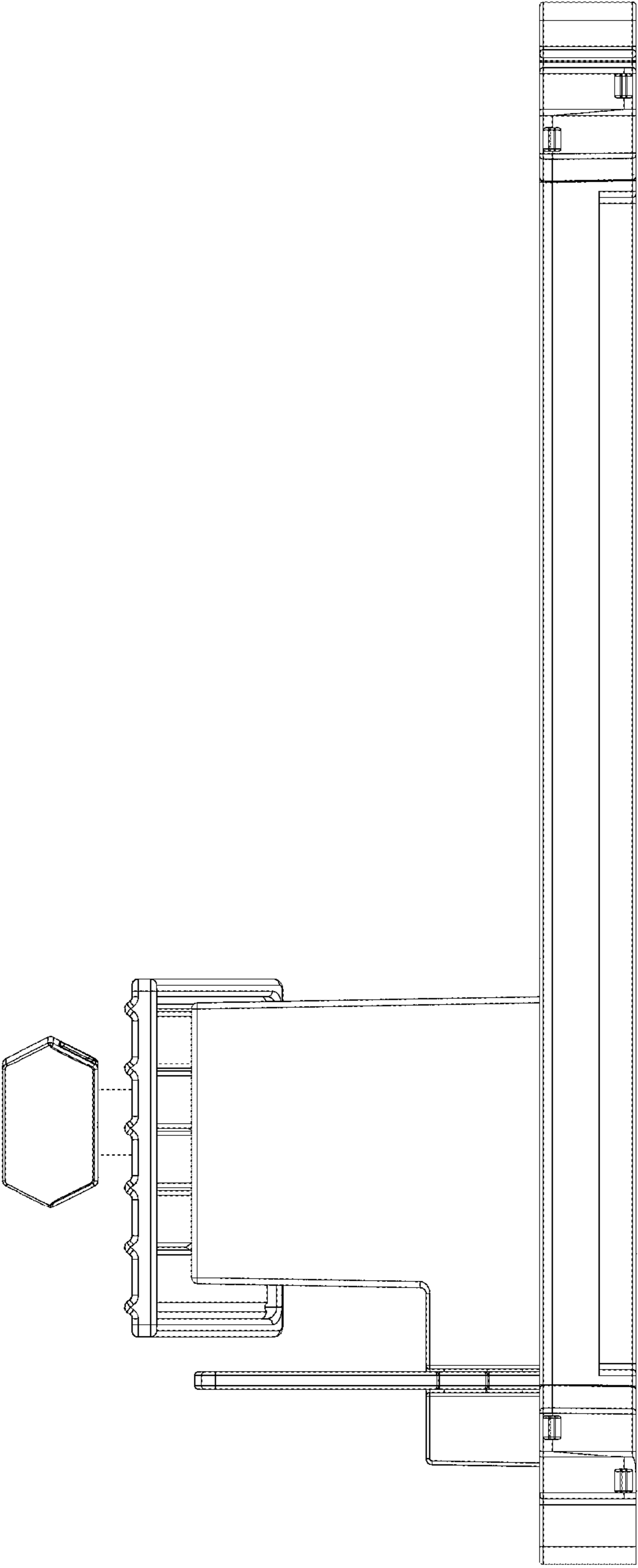


FIGURE 19

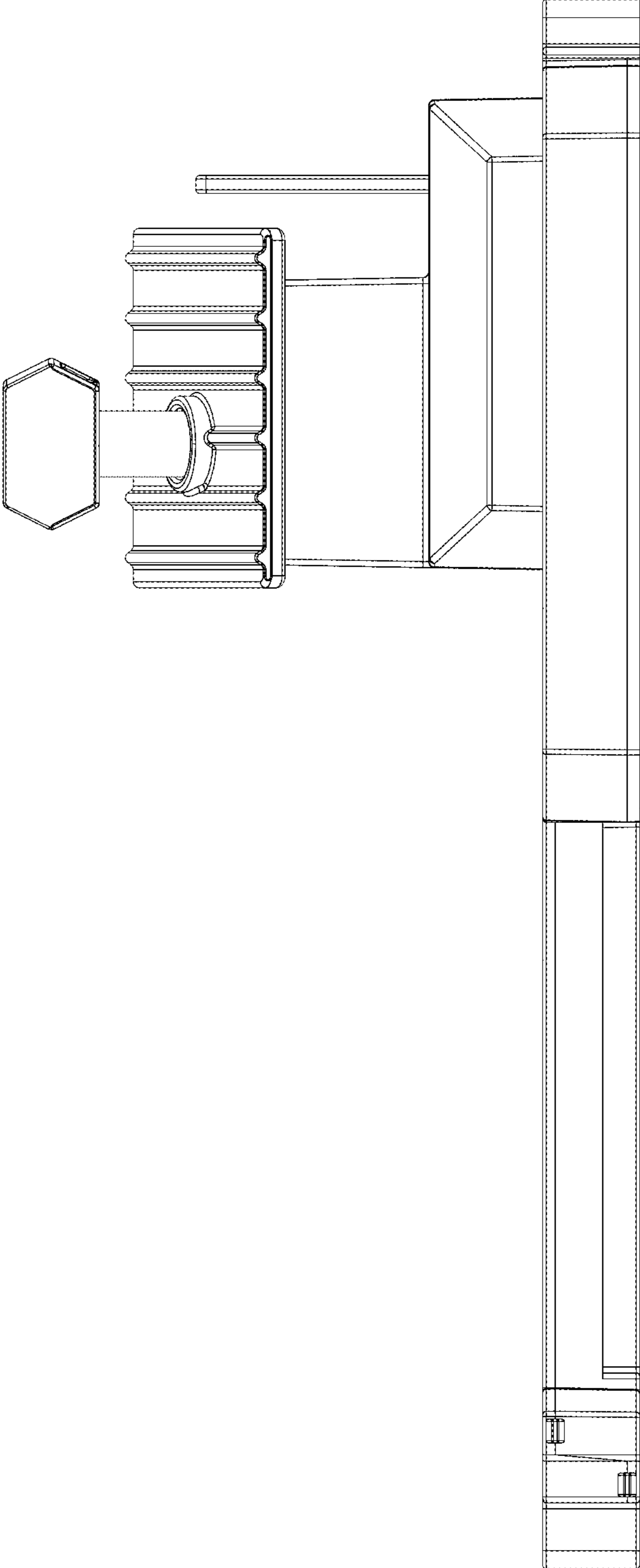


FIGURE 20