



US00D689143S

(12) **United States Design Patent**
Mimlitch, III et al.

(10) **Patent No.:** **US D689,143 S**

(45) **Date of Patent:** **** Sep. 3, 2013**

(54) **PARKING TRACK COMPONENT**

(75) Inventors: **Robert H. Mimlitch, III**, Rowlett, TX (US); **David Anthony Norman**, Greenville, TX (US); **Douglas Michael Galletti**, Allen, TX (US); **Raul Olivera**, Greenville, TX (US); **Gregory Lavender**, Rockwall, TX (US); **Gregory Needel**, Rockwall, TX (US); **Jeffrey Russell Waegelin**, Rockwall, TX (US)

(73) Assignee: **Innovation First, Inc.**, Greenville, TX (US)

(**) Term: **14 Years**

(21) Appl. No.: **29/429,039**

(22) Filed: **Aug. 7, 2012**

(51) **LOC (9) Cl.** **21-01**

(52) **U.S. Cl.**
USPC **D21/565**

(58) **Field of Classification Search**
USPC D21/484, 490, 493, 509, 564, 565,
D21/802, 818, 821; 446/168-174, 84, 89,
446/108, 112, 114, 116, 124-128, 429, 444-447;
463/58-69; 238/10 R, 10 A-10 C, 10 E,
238/10 F; 104/60, 69

See application file for complete search history.

(56) **References Cited**

U.S. PATENT DOCUMENTS

D208,096	S	*	7/1967	Ostrander	D21/509
3,674,269	A	*	7/1972	Cooper et al.	463/60
D225,166	S	*	11/1972	Spengler	D21/509
D361,802	S	*	8/1995	Shiraishi	D21/564
D366,290	S	*	1/1996	Dieudonne	D21/509
D394,476	S	*	5/1998	Blumenthal	D21/509

* cited by examiner

Primary Examiner — Cynthia M Chin

(74) *Attorney, Agent, or Firm* — Adam K. Sacharoff

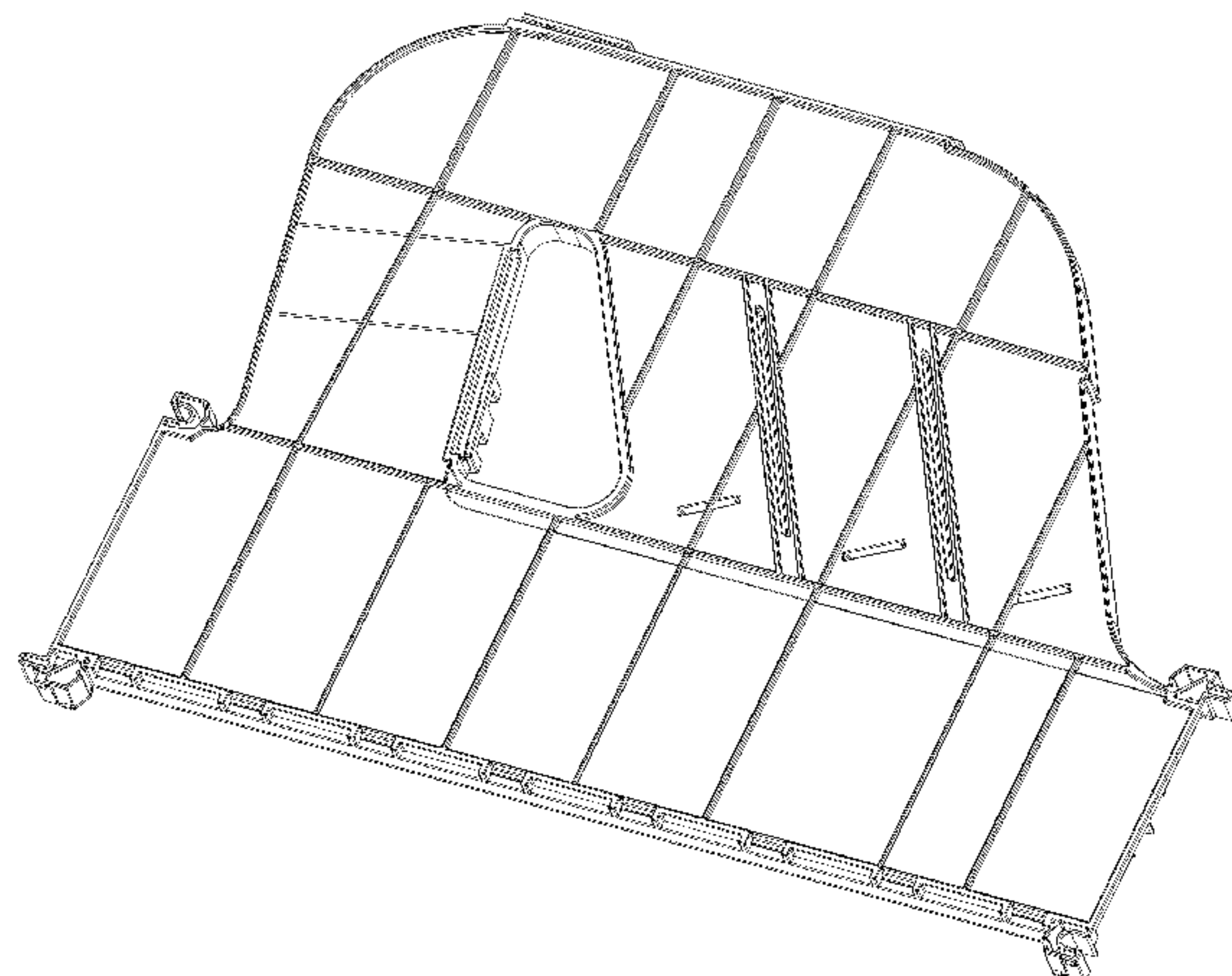
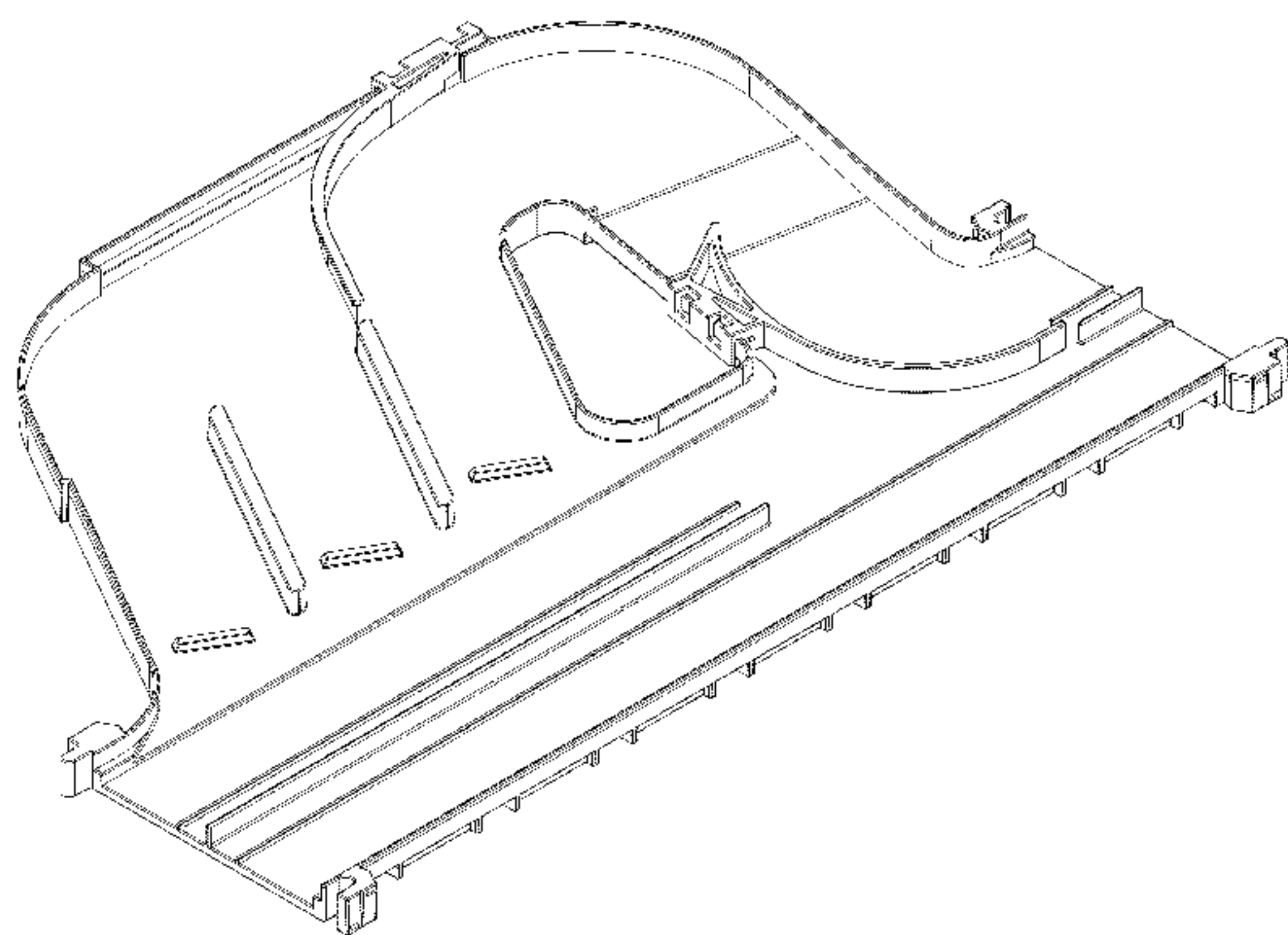
(57) **CLAIM**

The ornamental design for a parking track component, as shown and described.

DESCRIPTION

FIG. 1 is a front-top perspective view showing a parking track component in accordance with the present invention; FIG. 2 is a rear-top perspective view of FIG. 1; FIG. 3 is a bottom-front perspective view of FIG. 1; FIG. 4 is a bottom-rear perspective view of FIG. 1; FIG. 5 is a top side view of FIG. 1; FIG. 6 is a bottom side view of FIG. 1; FIG. 7 is a front side view of FIG. 1; FIG. 8 is a rear side view of FIG. 1; FIG. 9 is a left side view of FIG. 1; and, FIG. 10 is a right side view of FIG. 1.

1 Claim, 10 Drawing Sheets



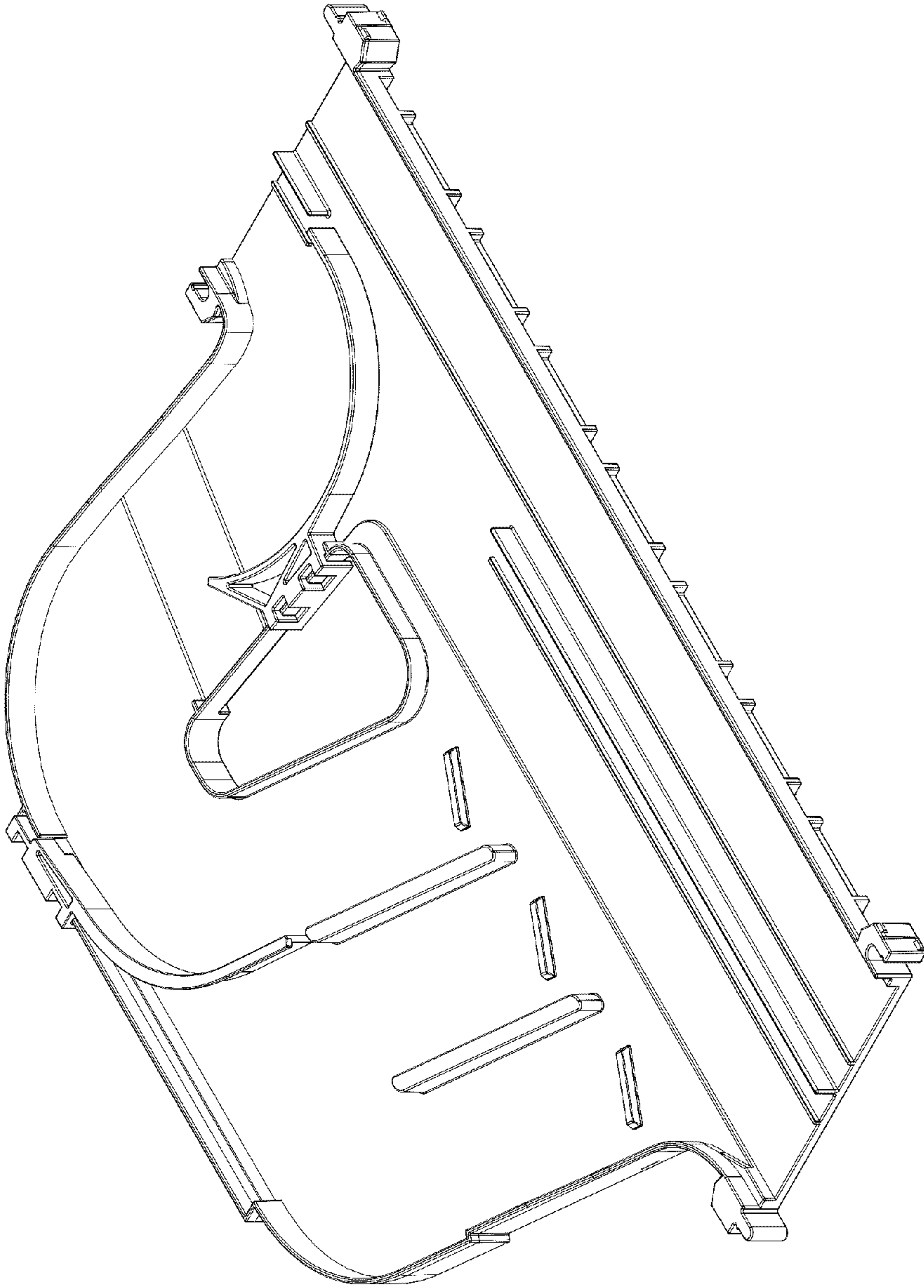


FIGURE 1

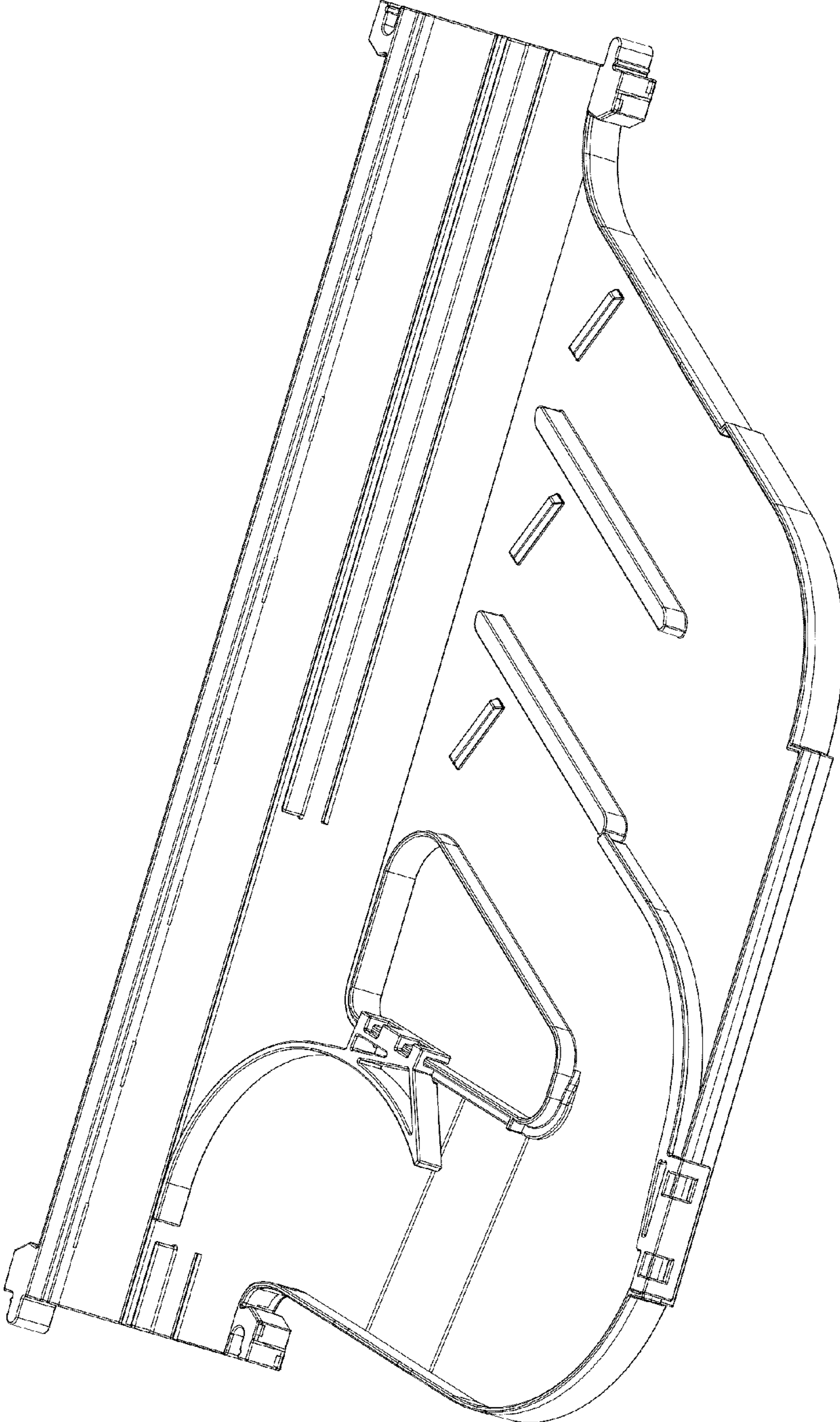


FIGURE 2

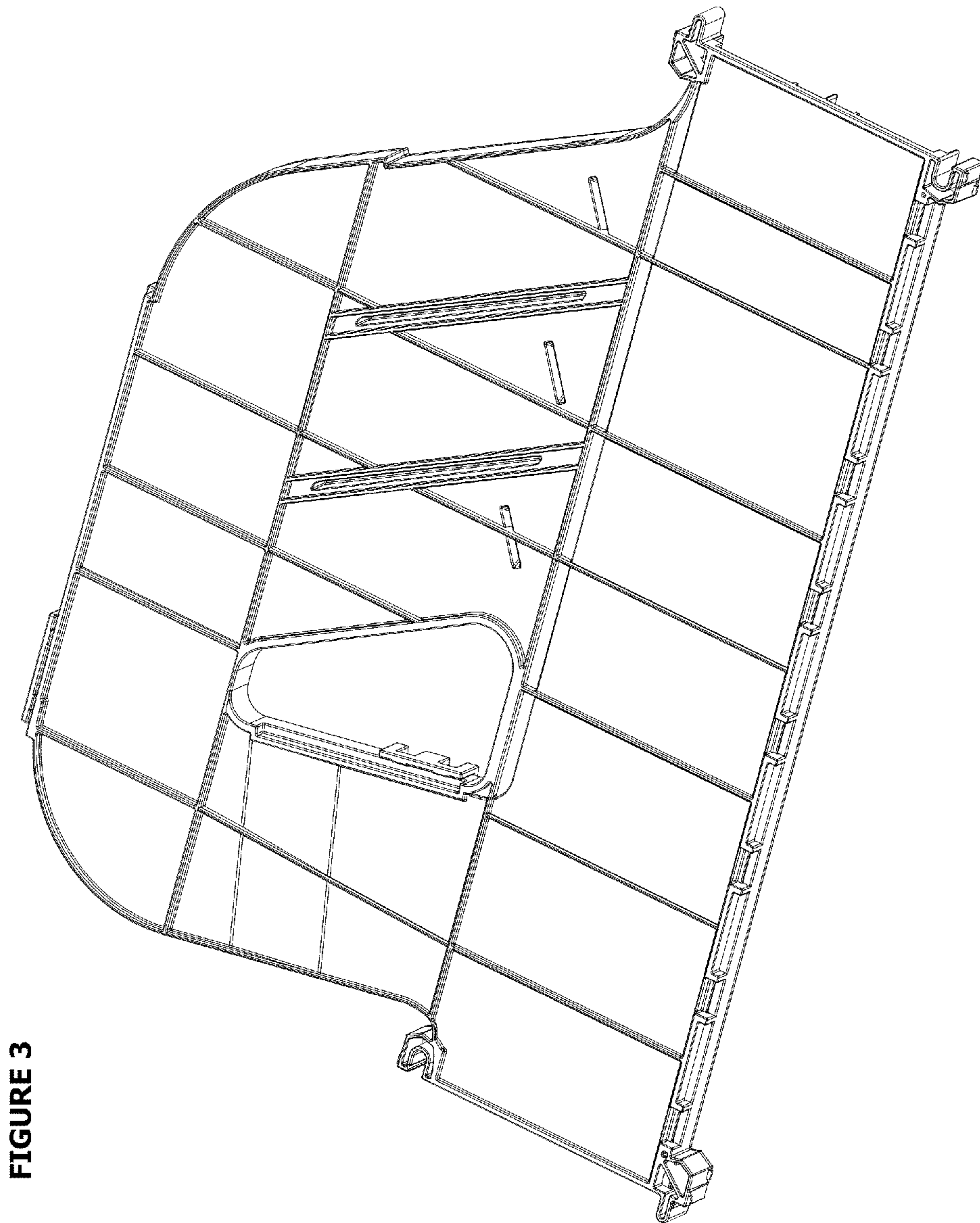


FIGURE 3

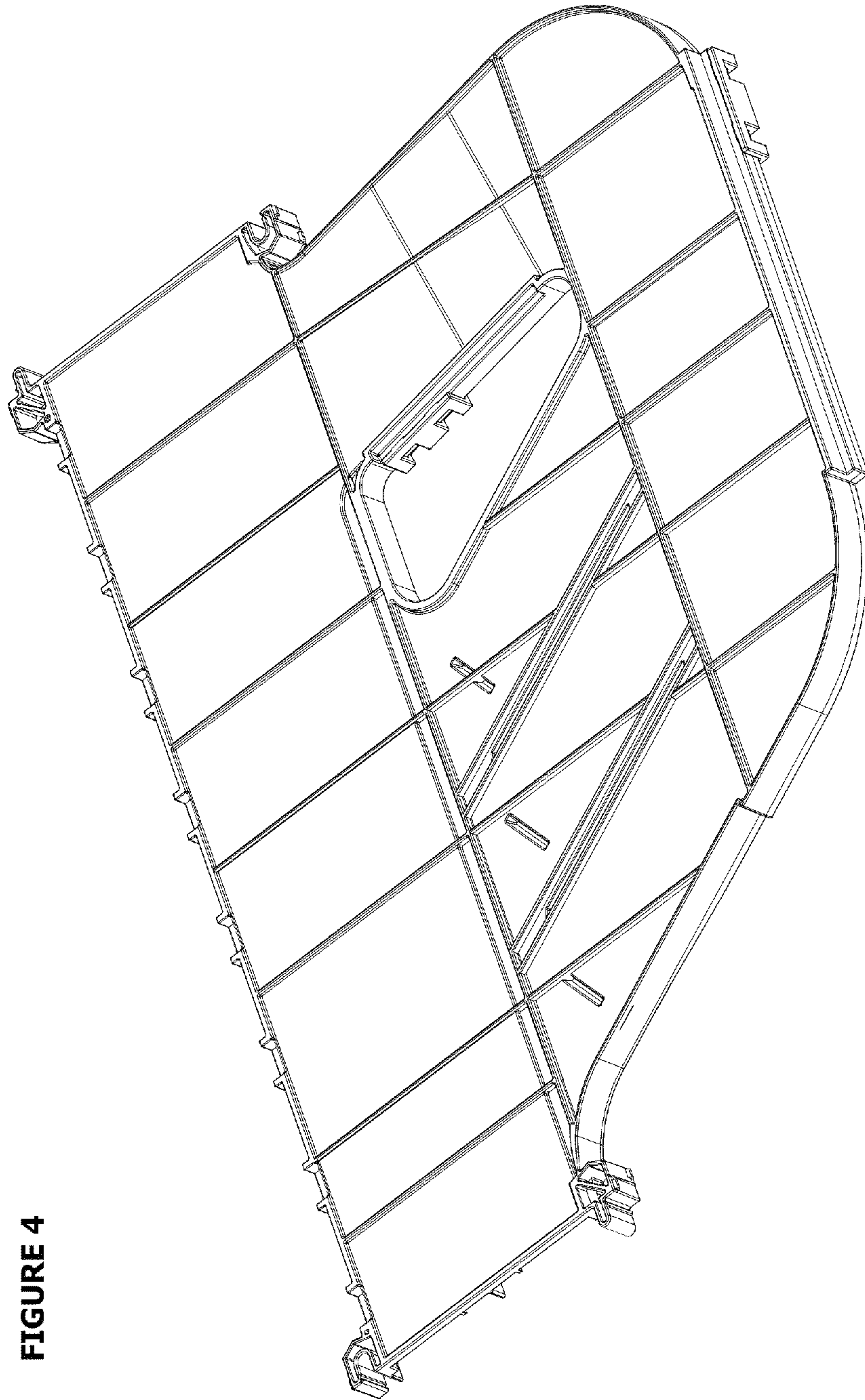
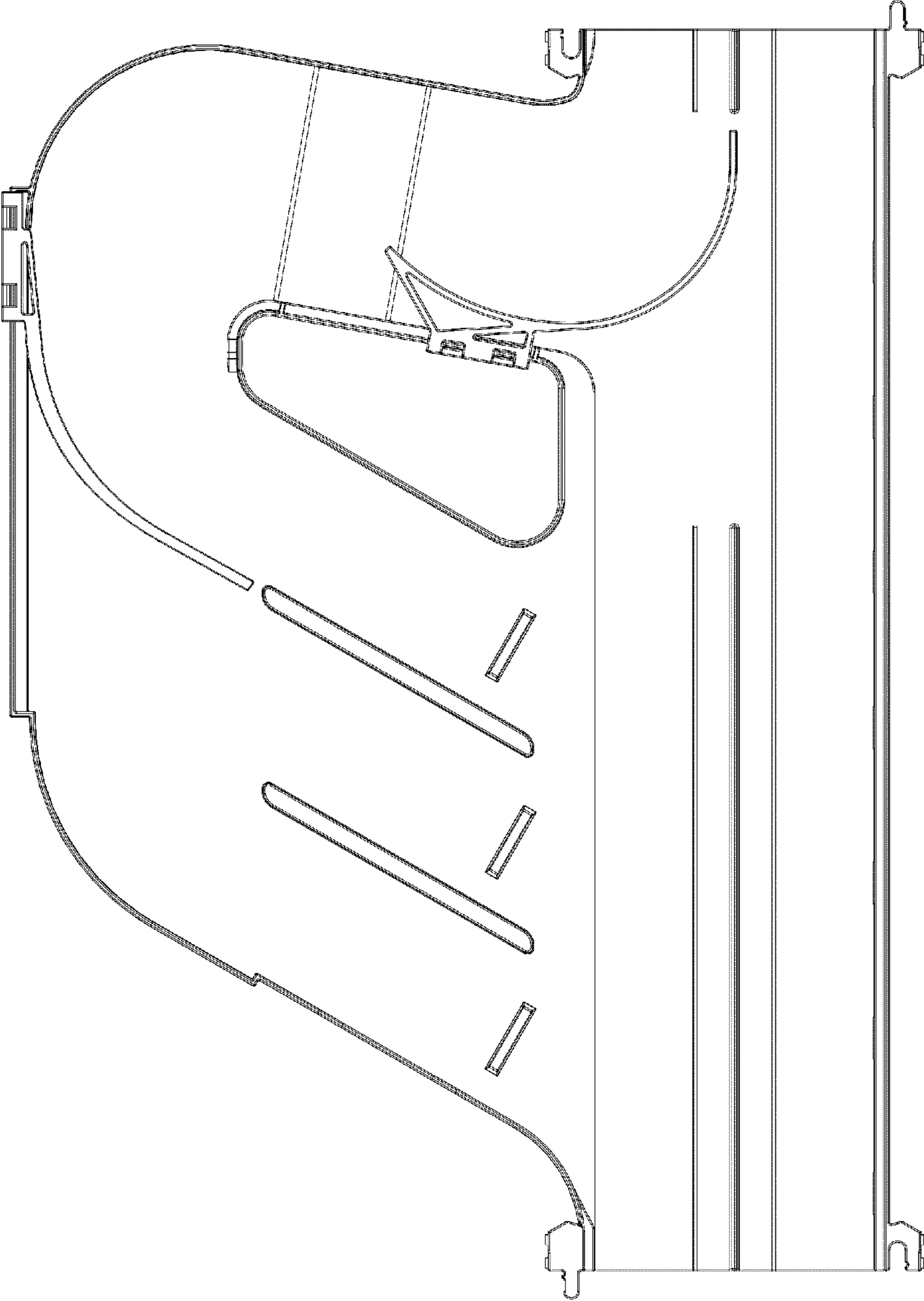


FIGURE 4

FIGURE 5



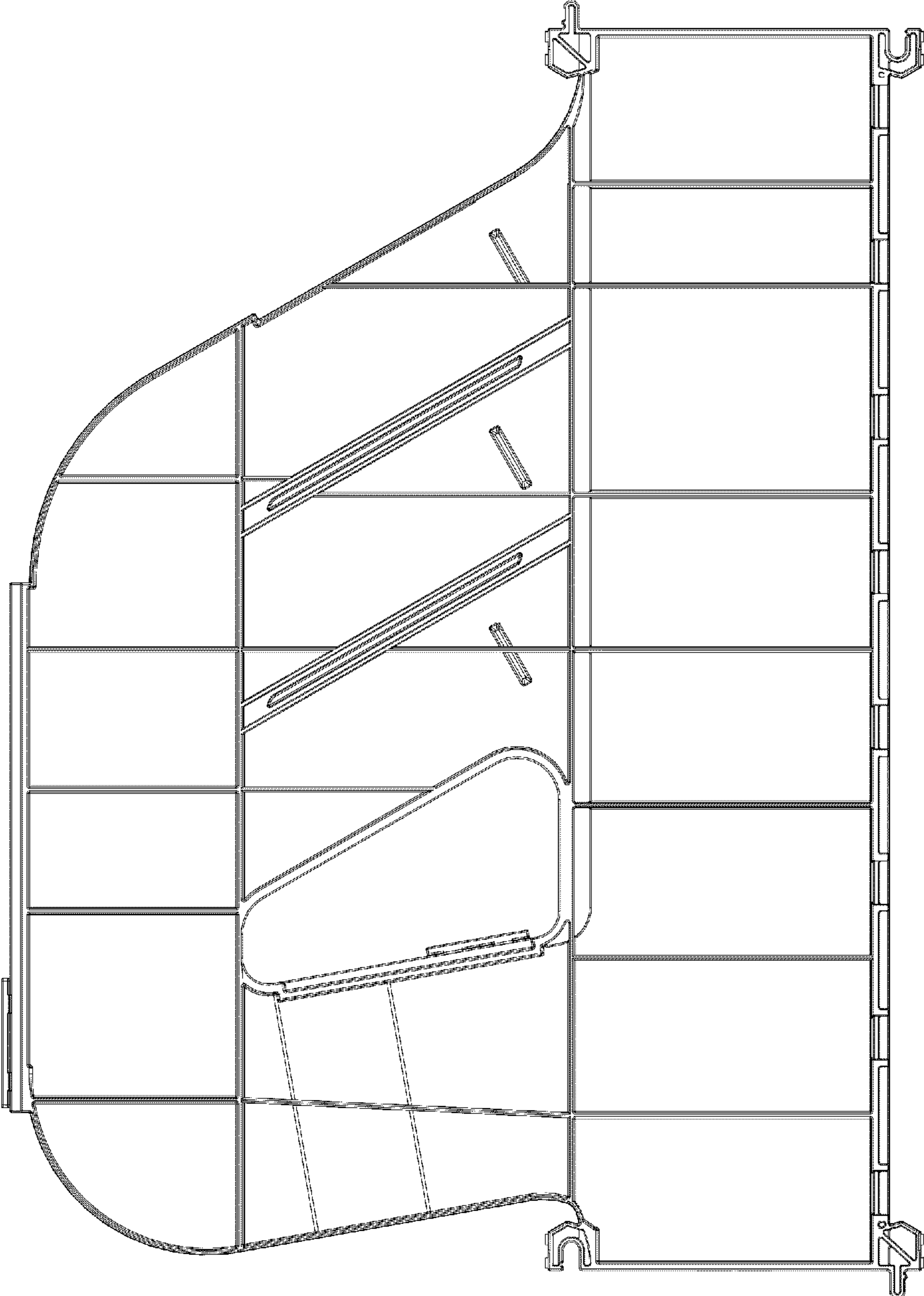


FIGURE 6

FIGURE 7

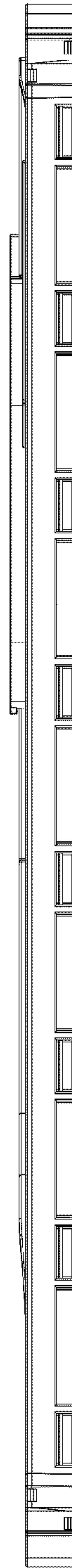


FIGURE 8

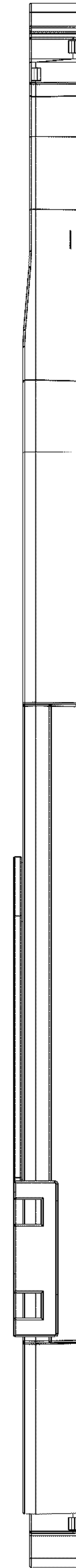


FIGURE 9

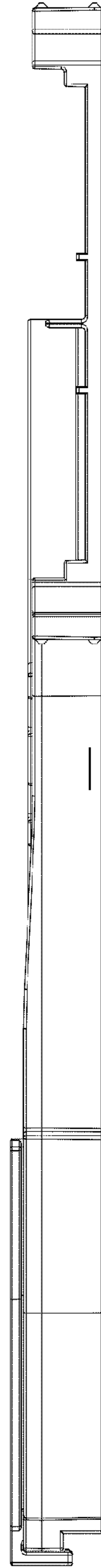


FIGURE 10

