



US00D689142S

(12) **United States Design Patent**  
**Mimlitch, III et al.**

(10) **Patent No.:** **US D689,142 S**

(45) **Date of Patent:** **\*\* Sep. 3, 2013**

(54) **FOUR-WAY TRACK COMPONENT**

(75) Inventors: **Robert H. Mimlitch, III**, Rowlett, TX (US); **David Anthony Norman**, Greenville, TX (US); **Douglas Michael Galletti**, Allen, TX (US); **Raul Olivera**, Greenville, TX (US); **Gregory Lavender**, Rockwall, TX (US); **Gregory Needel**, Rockwall, TX (US); **Jeffrey Russell Waegelin**, Rockwall, TX (US)

(73) Assignee: **Innovation First, Inc.**, Greenville, TX (US)

(\*\*) Term: **14 Years**

(21) Appl. No.: **29/428,810**

(22) Filed: **Aug. 3, 2012**

(51) **LOC (9) Cl.** ..... **21-01**

(52) **U.S. Cl.**  
USPC ..... **D21/565**

(58) **Field of Classification Search**  
USPC ..... D21/484, 490, 493, 509, 564, 565, D21/802, 818, 821; 446/168-174, 84, 89, 446/108, 112, 114, 116, 124-128, 429, 444-447; 463/58-69; 238/10 R, 10 A-10 C, 10 E, 238/10 F; 104/60, 69

See application file for complete search history.

(56) **References Cited**

U.S. PATENT DOCUMENTS

1,886,484	A *	11/1932	Kline	104/305
2,106,424	A *	1/1938	Einfalt	446/444
2,636,114	A *	4/1953	Fields	104/60
2,690,626	A *	10/1954	Godwin et al.	446/130
3,013,726	A *	12/1961	Orel	238/10 E
3,579,904	A *	5/1971	Genin	238/10 B
D273,311	S *	4/1984	Yoshimura et al.	D21/564
4,513,967	A *	4/1985	Halford et al.	273/108
4,605,230	A *	8/1986	Halford et al.	446/429
D344,309	S *	2/1994	Ruszkai	D21/565
D382,026	S *	8/1997	Petersson et al.	D21/565
6,012,957	A *	1/2000	Cyrus et al.	446/175
7,070,541	B2 *	7/2006	Madigan et al.	482/35
8,282,438	B2 *	10/2012	Tamulewicz et al.	446/129

\* cited by examiner

*Primary Examiner* — Cynthia M Chin

(74) *Attorney, Agent, or Firm* — Adam K. Sacharoff

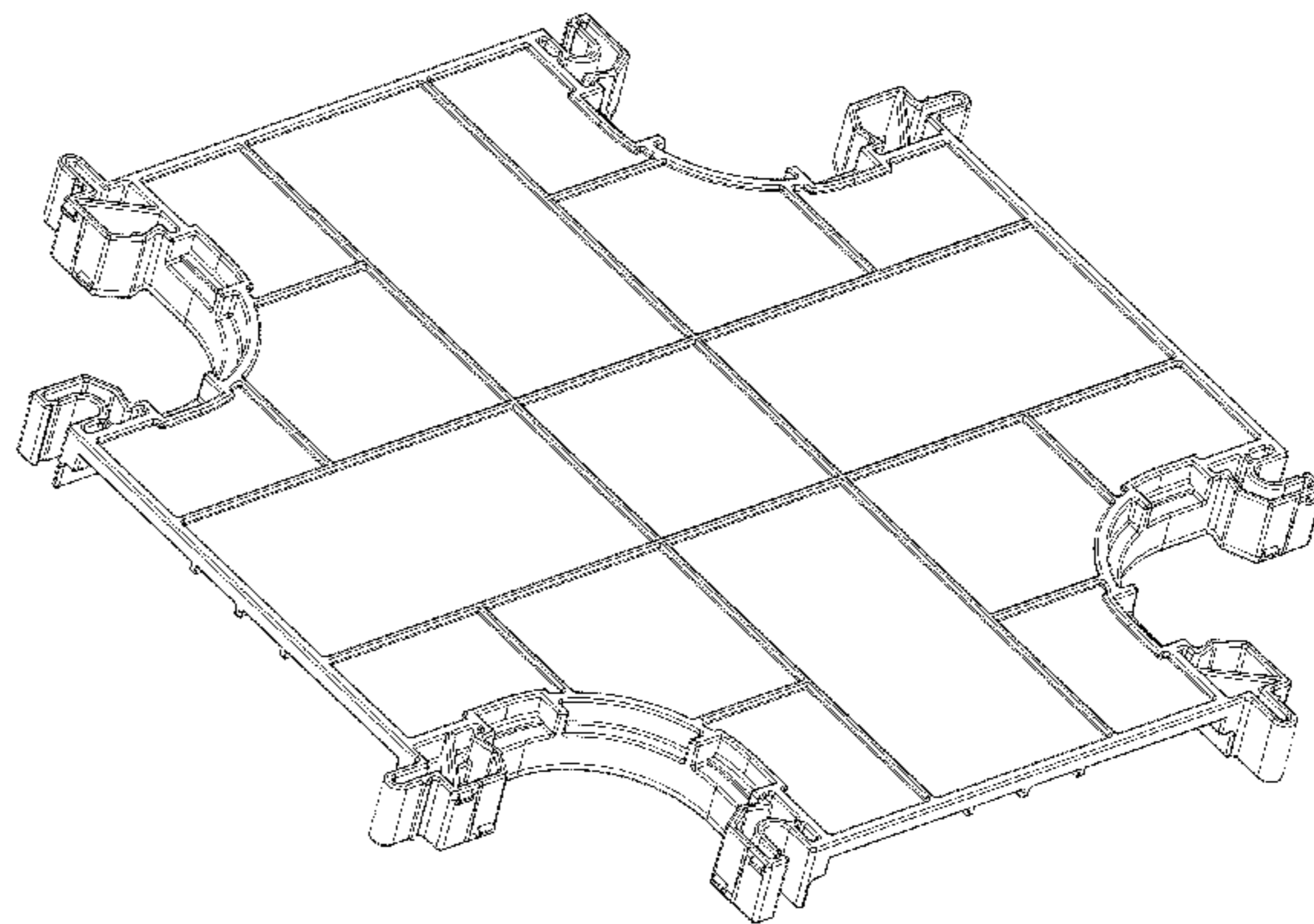
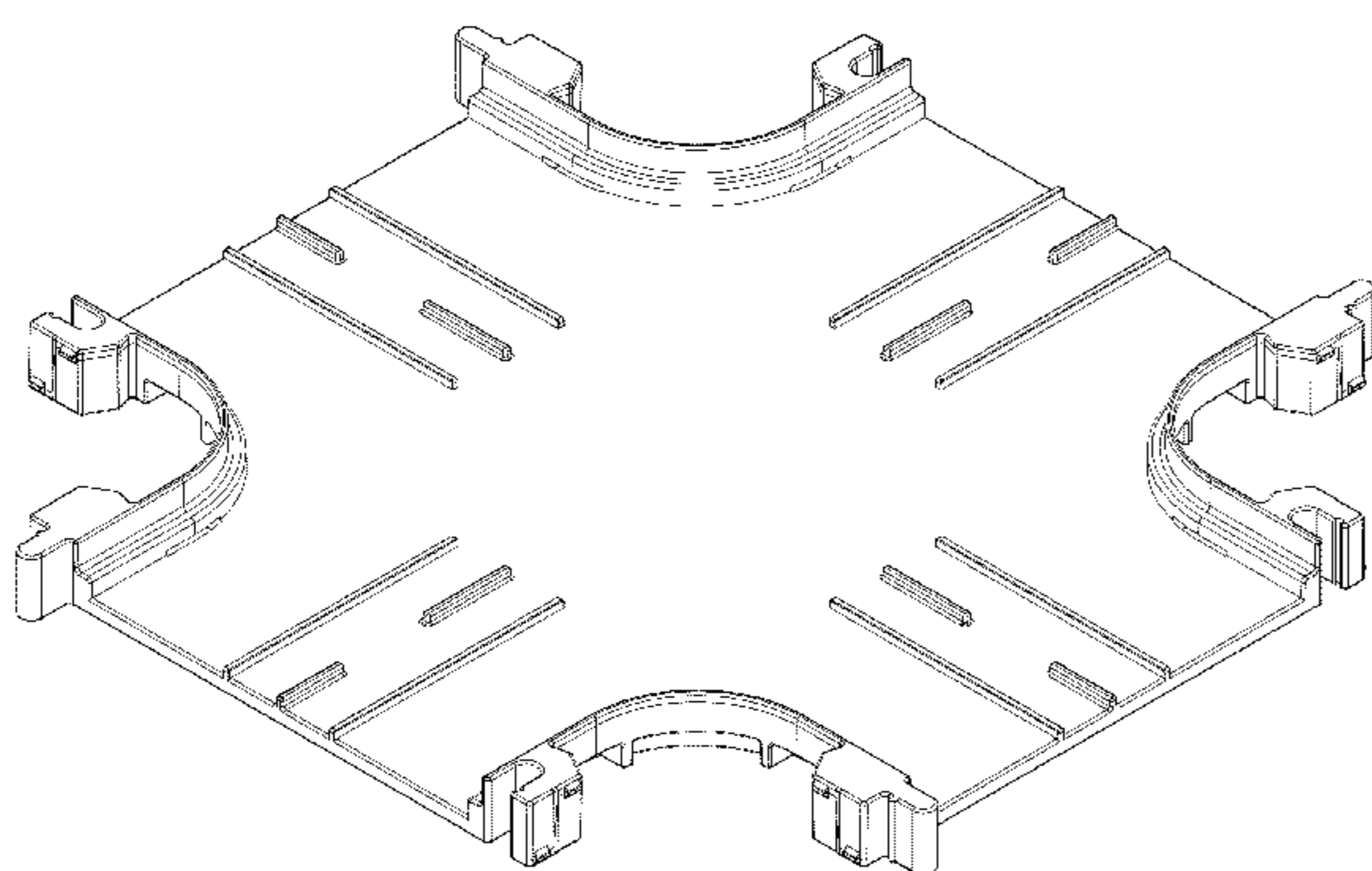
(57) **CLAIM**

The ornamental design for a four-way track component, as shown and described.

**DESCRIPTION**

FIG. 1 is a front-top perspective view showing a four-way track component of the toy track set of FIG. 1; FIG. 2 is a bottom-front perspective view of FIG. 1; FIG. 3 is a top side view of FIG. 1; FIG. 4 is a bottom side view of FIG. 1; FIG. 5 is a front side view of FIG. 1, the rear side view being an identical image thereof; and, FIG. 6 is a left side view of FIG. 1, the right side view being an identical image thereof.

**1 Claim, 6 Drawing Sheets**



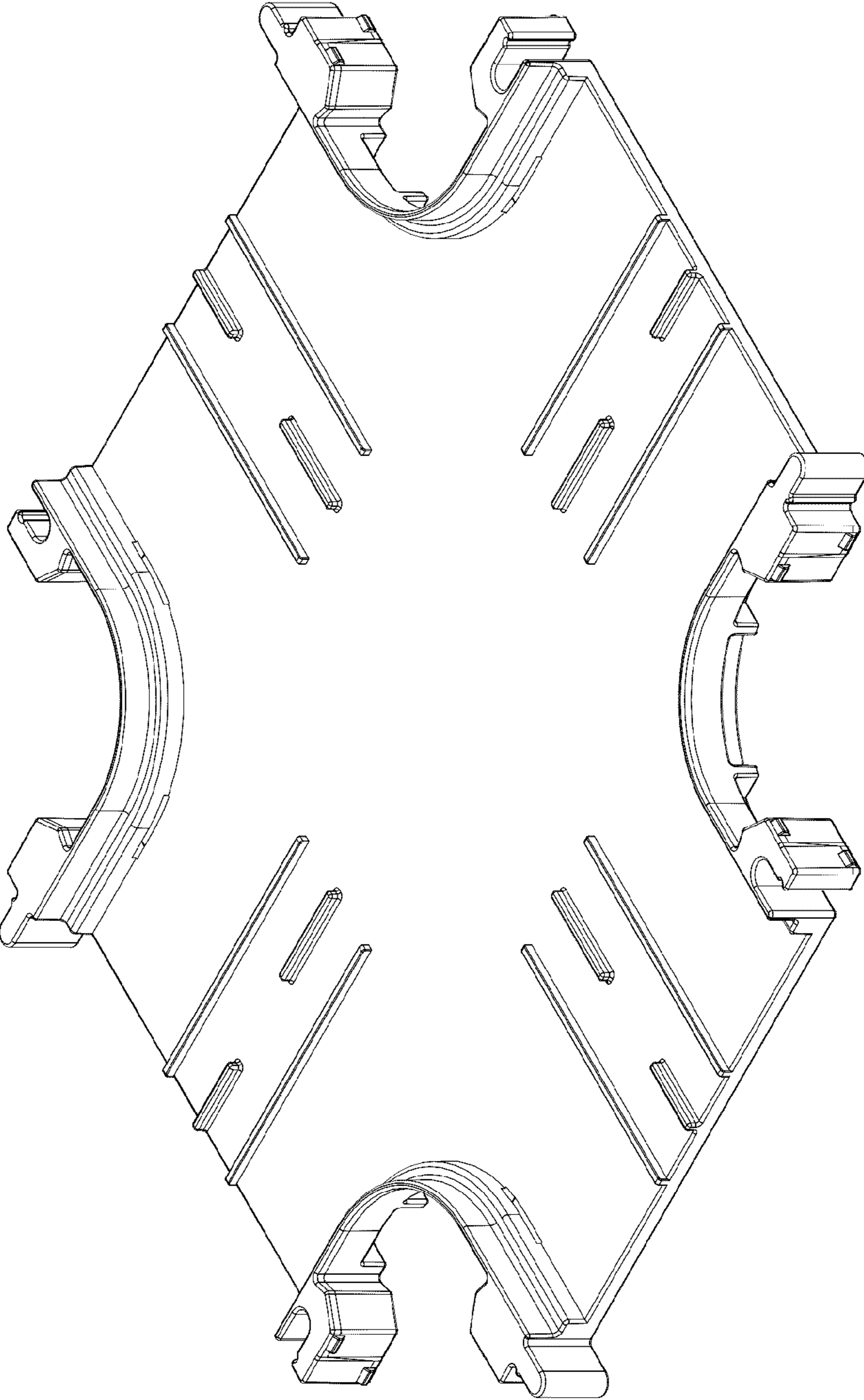


FIGURE 1



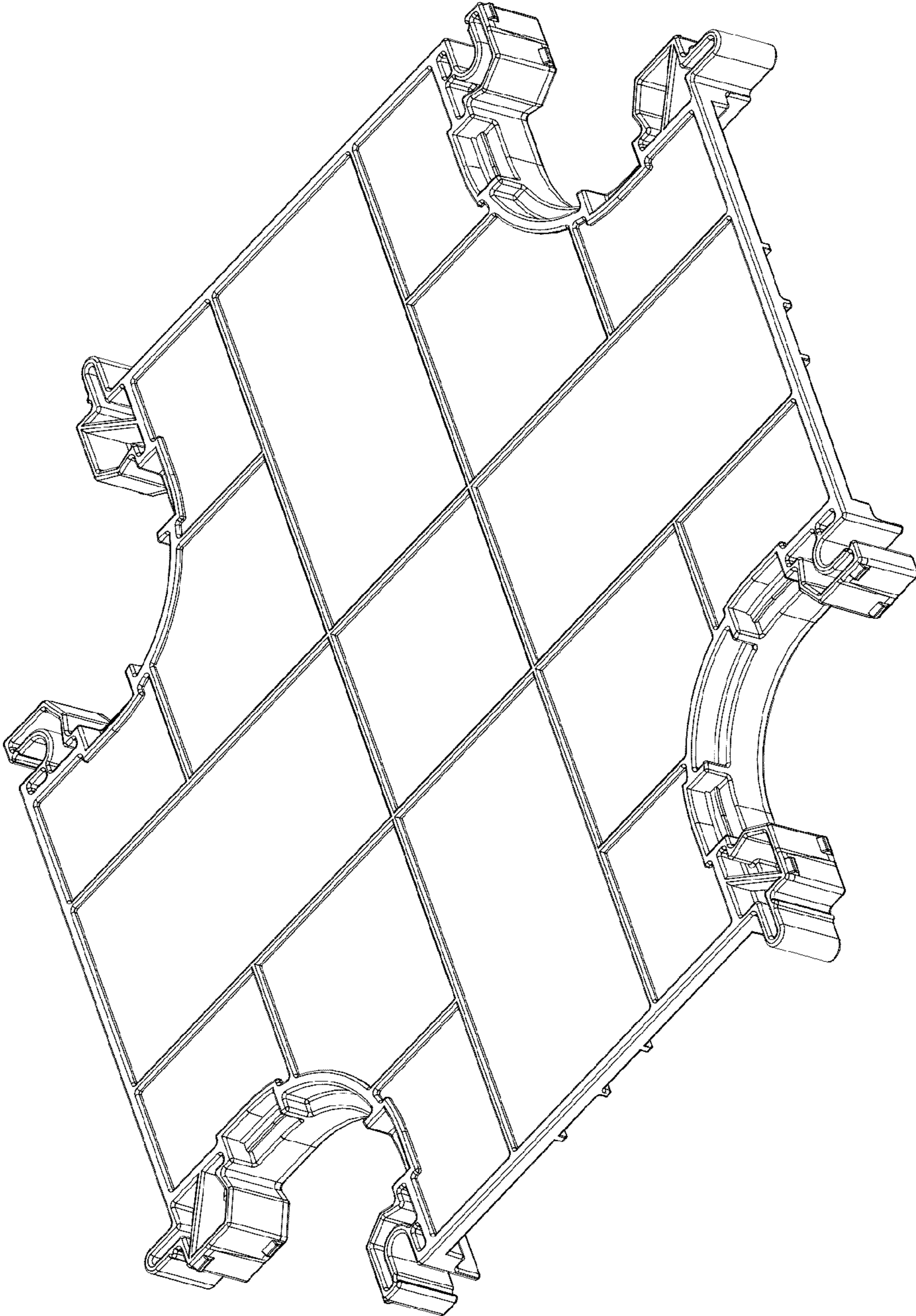


FIGURE 2

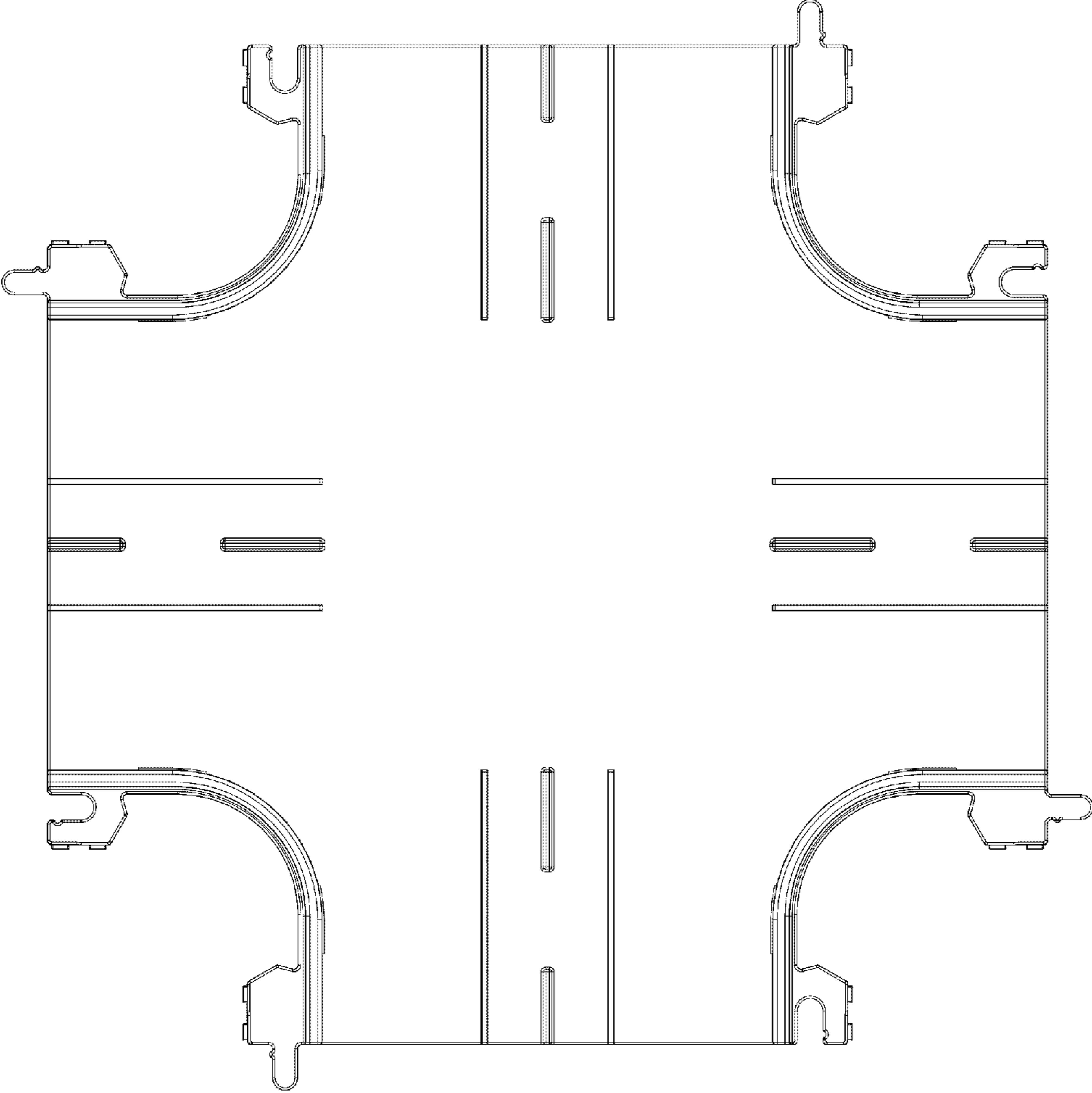


FIGURE 3

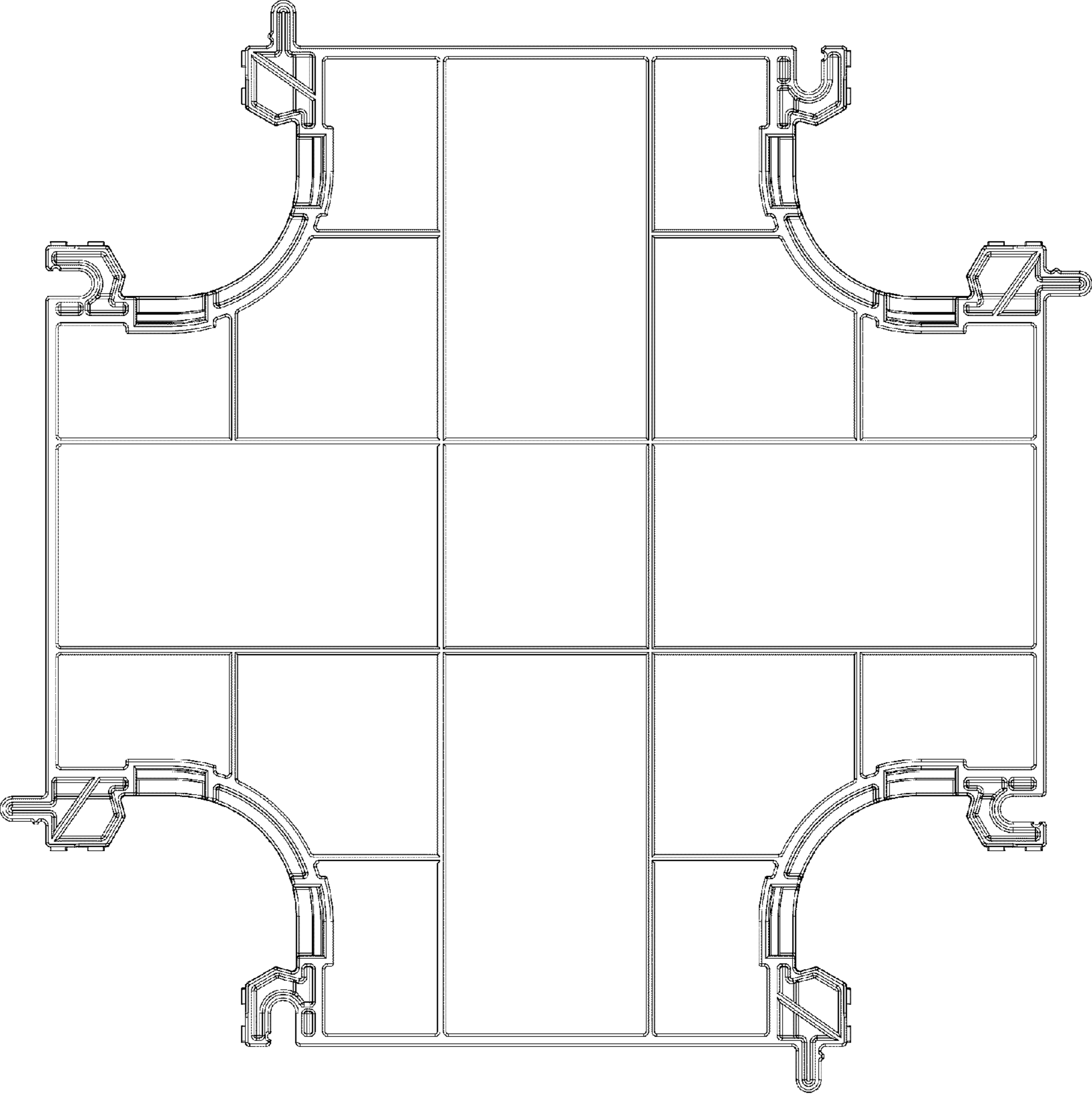
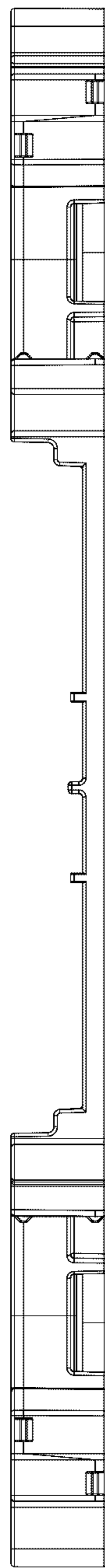


FIGURE 4



**FIGURE 5**

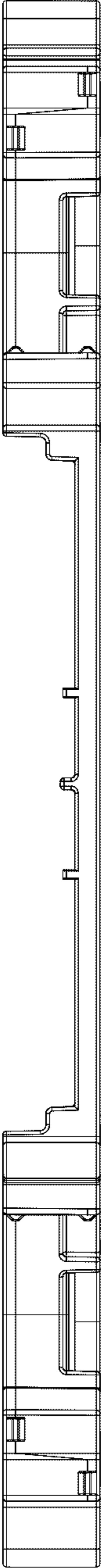


FIGURE 6