



US00D689141S

(12) **United States Design Patent**  
**Mimlitch, III et al.**

(10) **Patent No.:** **US D689,141 S**  
(45) **Date of Patent:** **\*\* Sep. 3, 2013**

(54) **STRAIGHT TRACK COMPONENT**

(75) Inventors: **Robert H. Mimlitch, III**, Rowlett, TX (US); **David Anthony Norman**, Greenville, TX (US); **Douglas Michael Galletti**, Allen, TX (US); **Raul Olivera**, Greenville, TX (US); **Gregory Lavender**, Rockwall, TX (US); **Gregory Needel**, Rockwall, TX (US); **Jeffrey Russell Waegelin**, Rockwall, TX (US)

(73) Assignee: **Innovation First, Inc.**, Greenville, TX (US)

(\*\*) Term: **14 Years**

(21) Appl. No.: **29/428,801**

(22) Filed: **Aug. 3, 2012**

(51) **LOC (9) Cl.** ..... **21-01**

(52) **U.S. Cl.**  
USPC ..... **D21/565**

(58) **Field of Classification Search**  
USPC ..... D21/484, 490, 493, 509, 564, 565, D21/802, 818, 821; 446/168-174, 84, 89, 446/108, 112, 114, 116, 124-128, 429, 444-447; 463/58-69; 238/10 R, 10 A-10 C, 10 E, 238/10 F; 104/60, 69  
See application file for complete search history.

(56) **References Cited**

**U.S. PATENT DOCUMENTS**

3,597,876 A \* 8/1971 Haji ..... 446/468  
3,734,404 A \* 5/1973 Baynes et al. .... 238/10 E

3,986,717 A \* 10/1976 Kirby et al. .... 463/62  
4,081,133 A \* 3/1978 Tong ..... 238/10 F  
4,504,012 A \* 3/1985 Fetty et al. .... 238/10 F  
D296,806 S \* 7/1988 Bach et al. .... D21/565  
D388,138 S \* 12/1997 Lanoix et al. .... D21/565  
6,601,774 B1 \* 8/2003 Kasimoff ..... 238/10 R  
D573,665 S \* 7/2008 Horikoshi ..... D21/565  
D632,348 S \* 2/2011 McNutt ..... D21/565  
7,963,456 B2 \* 6/2011 Stadlbauer ..... 238/10 F  
D651,661 S \* 1/2012 Yuen ..... D21/565  
2008/0265049 A1 \* 10/2008 Stadlbauer ..... 238/10 F  
2011/0250822 A1 \* 10/2011 Koehl ..... 446/444

\* cited by examiner

*Primary Examiner* — Cynthia M Chin

(74) *Attorney, Agent, or Firm* — Adam K. Sacharoff

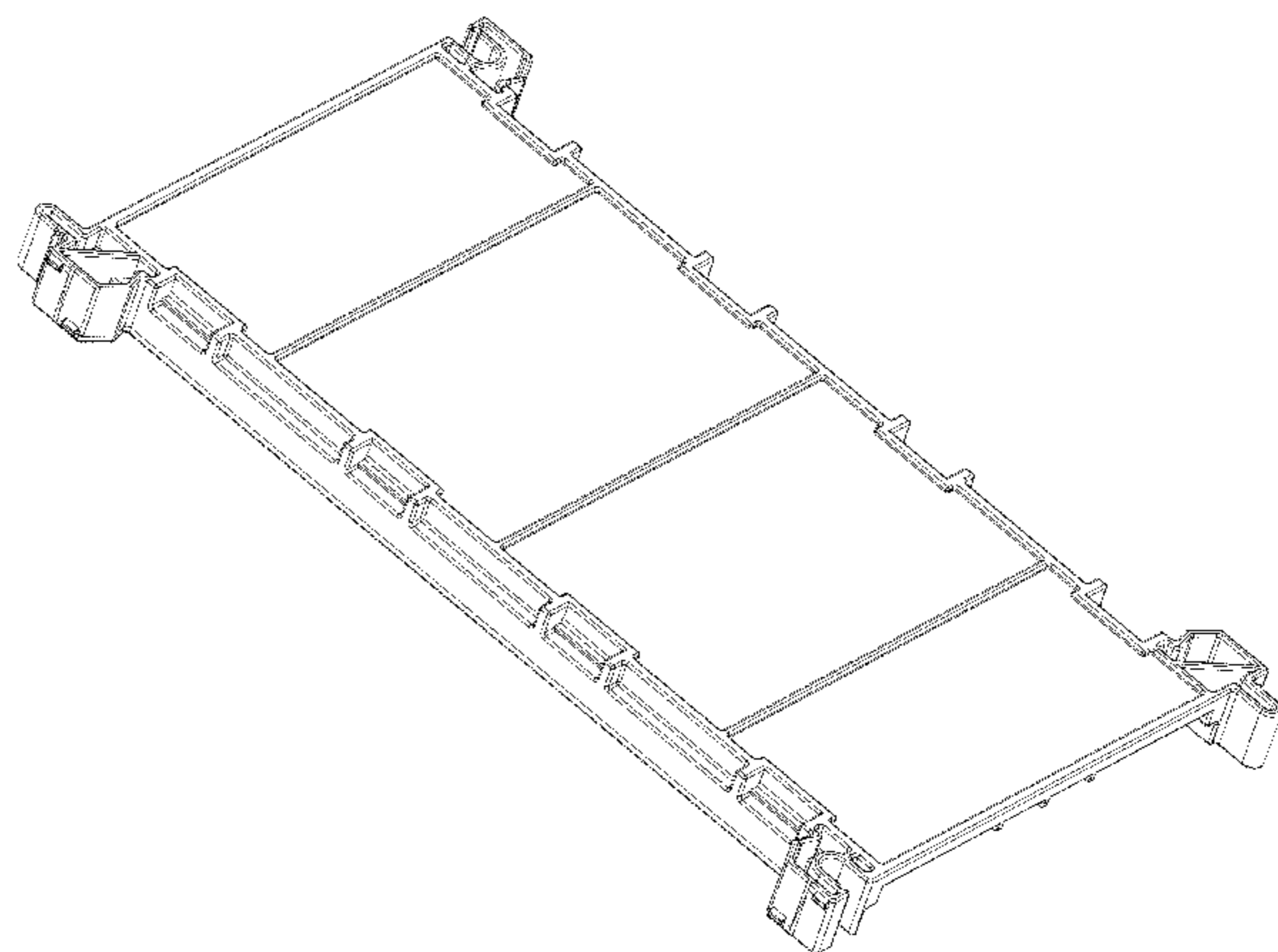
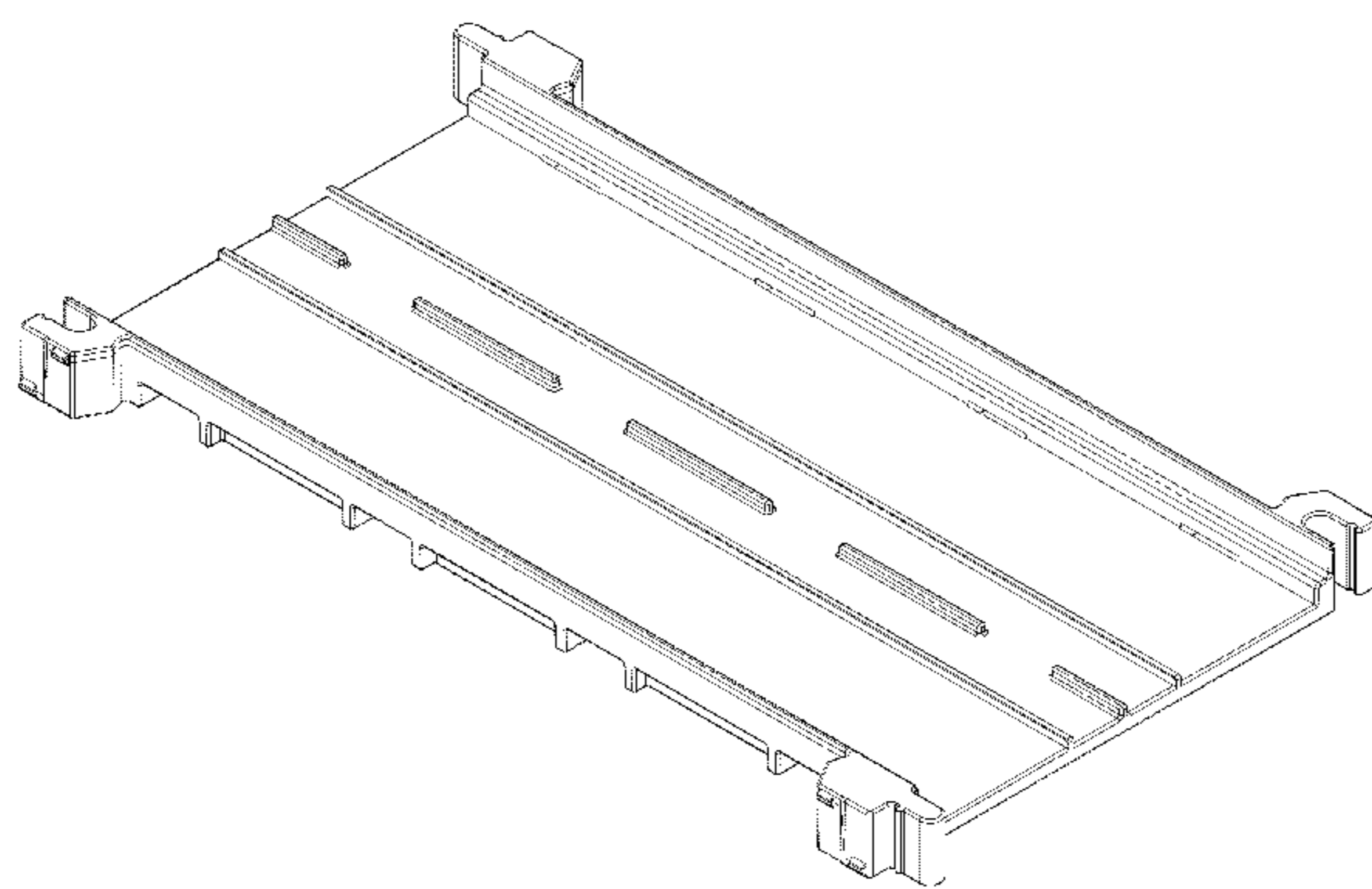
(57) **CLAIM**

The ornamental design for a straight track component, as shown and described.

**DESCRIPTION**

FIG. 1 is a front-top perspective view showing a straight track component in accordance with the present invention; FIG. 2 is a bottom-front perspective view of FIG. 1; FIG. 3 is a rear-top perspective view of FIG. 1; FIG. 4 is a bottom-rear perspective view of FIG. 1; FIG. 5 is a top side view of FIG. 1; FIG. 6 is a bottom side view of FIG. 1; FIG. 7 is a front side view of FIG. 1, the rear side view being an identical view thereof; and, FIG. 8 is a left side view of FIG. 1, the right side view being an identical view thereof.

**1 Claim, 8 Drawing Sheets**



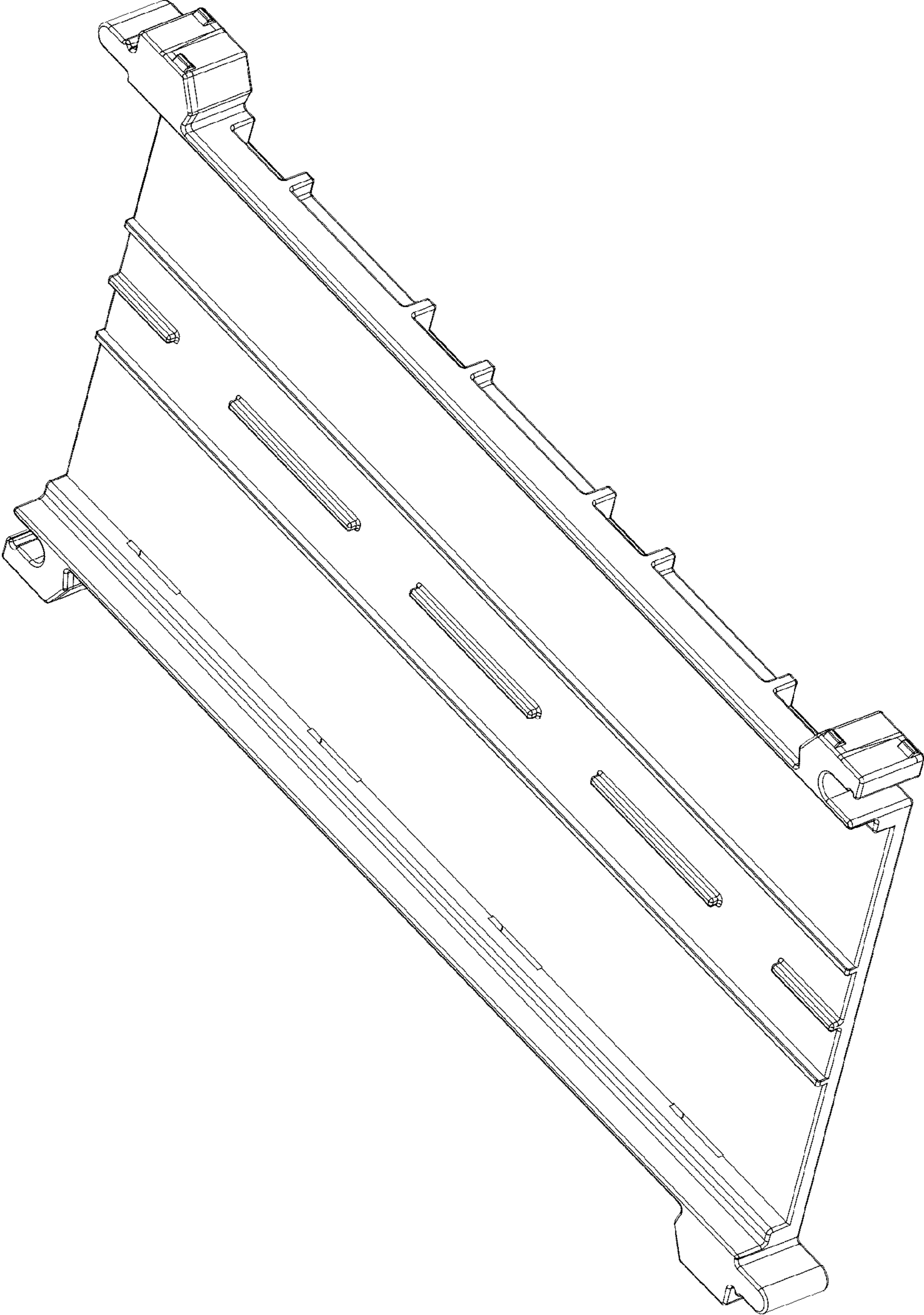


FIGURE 1

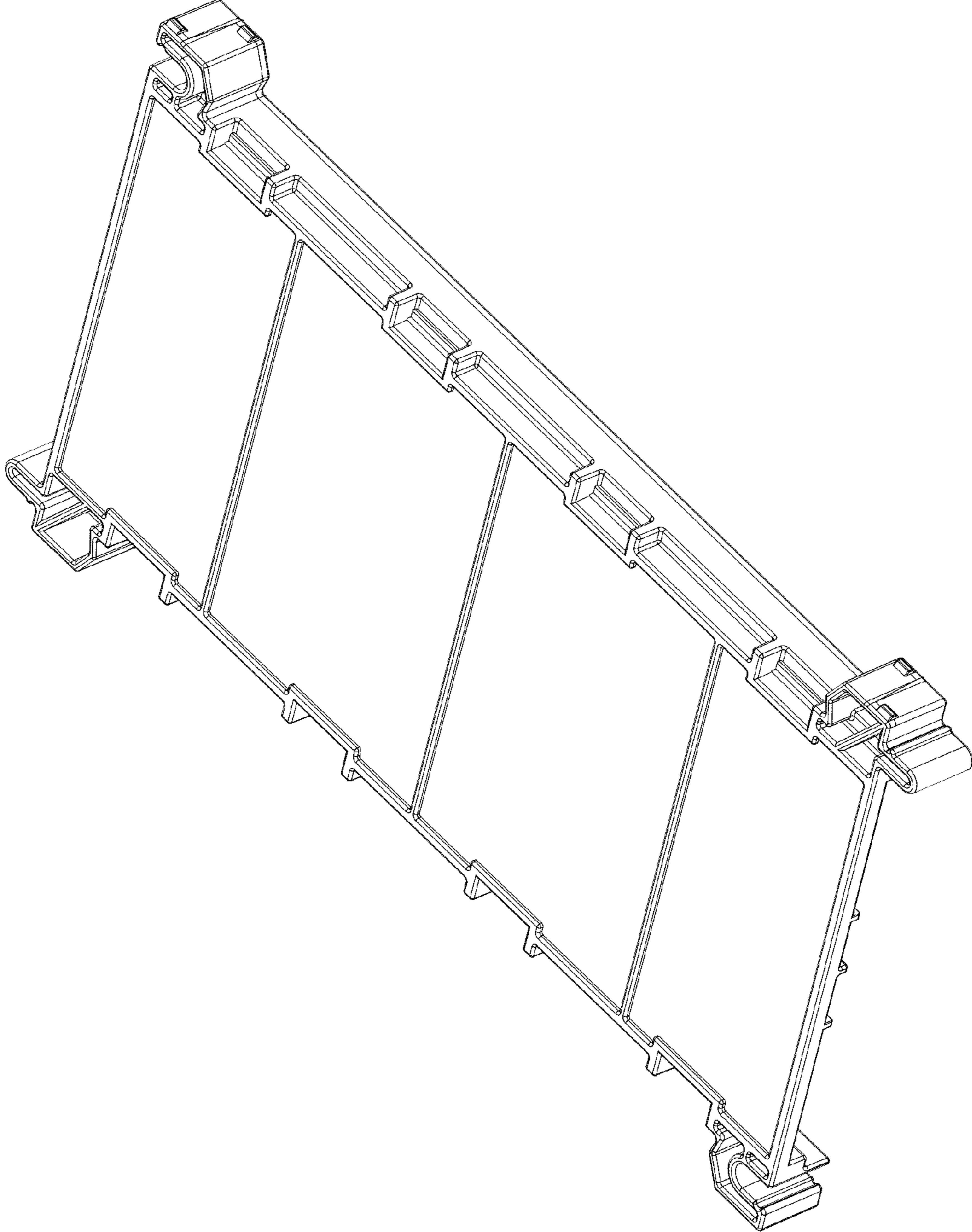


FIGURE 2

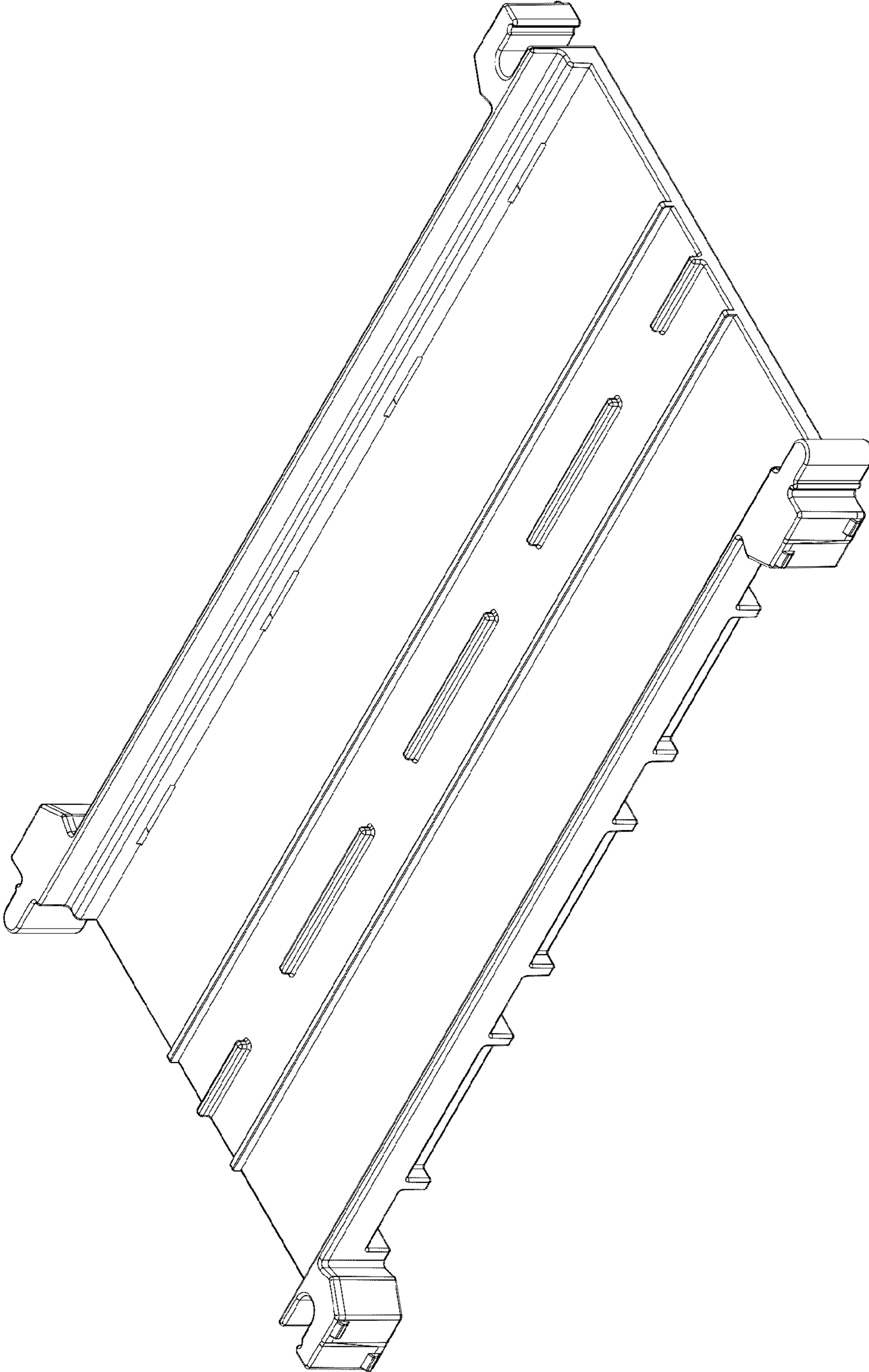


FIGURE 3

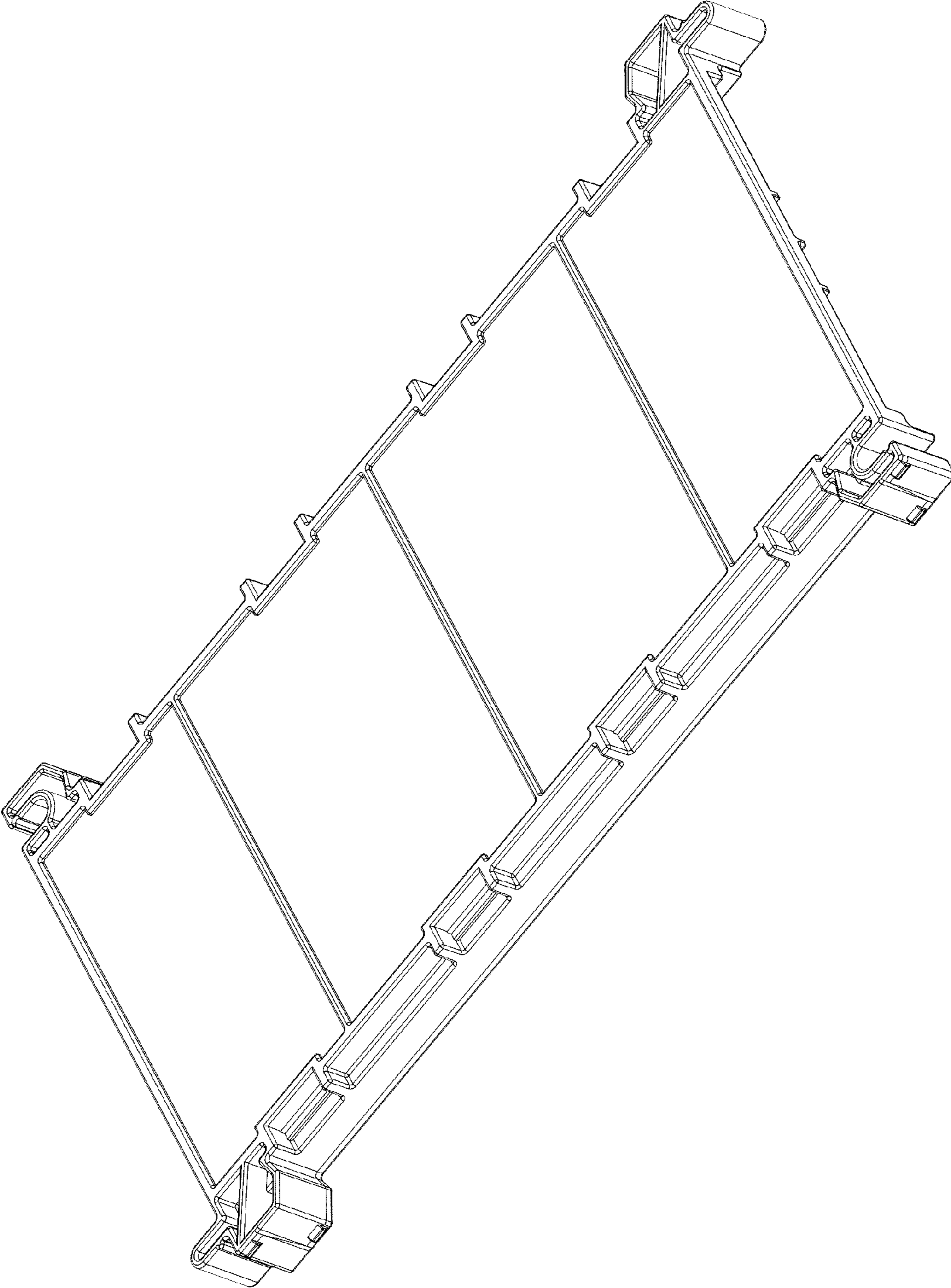


FIGURE 4

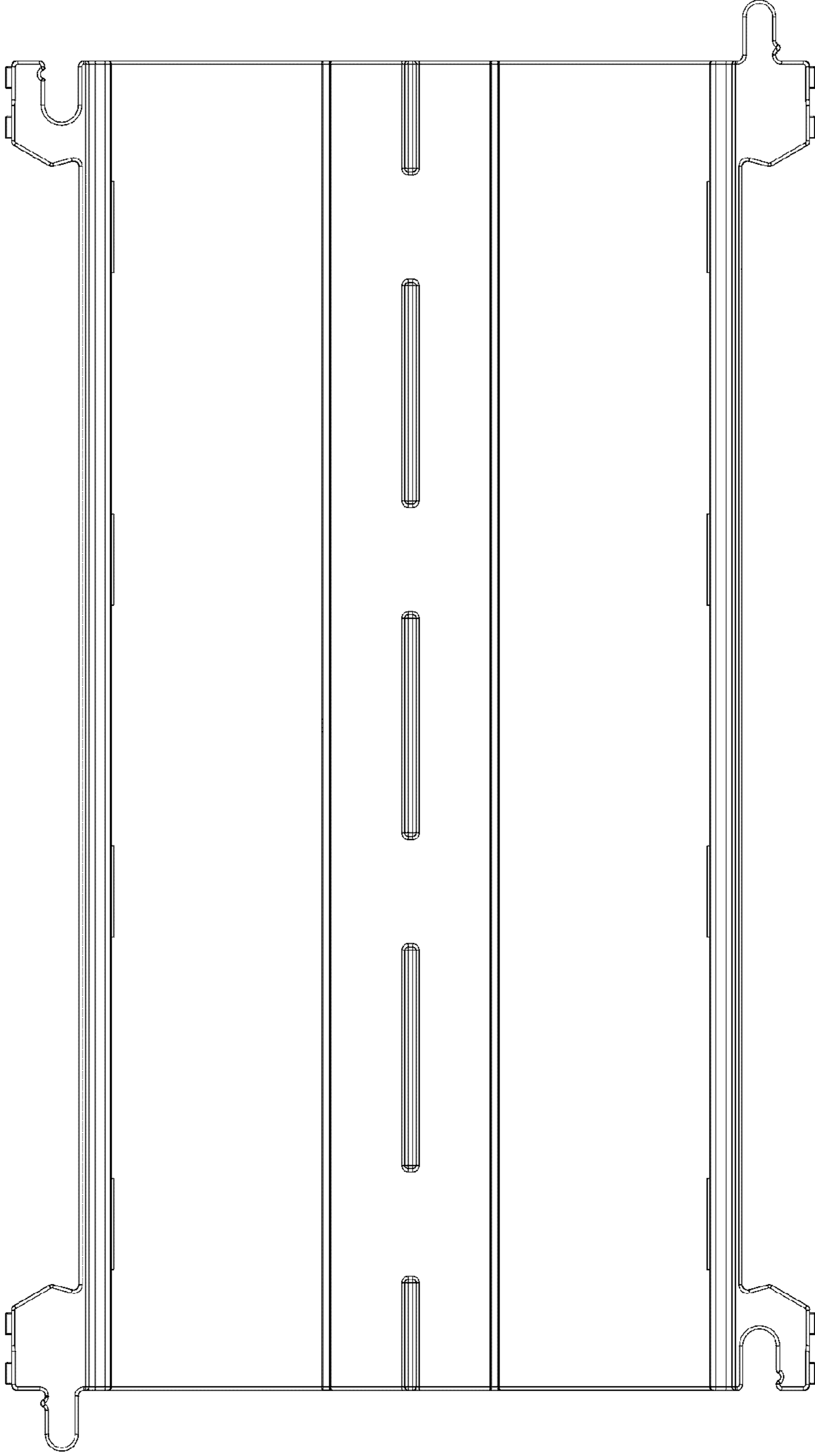


FIGURE 5

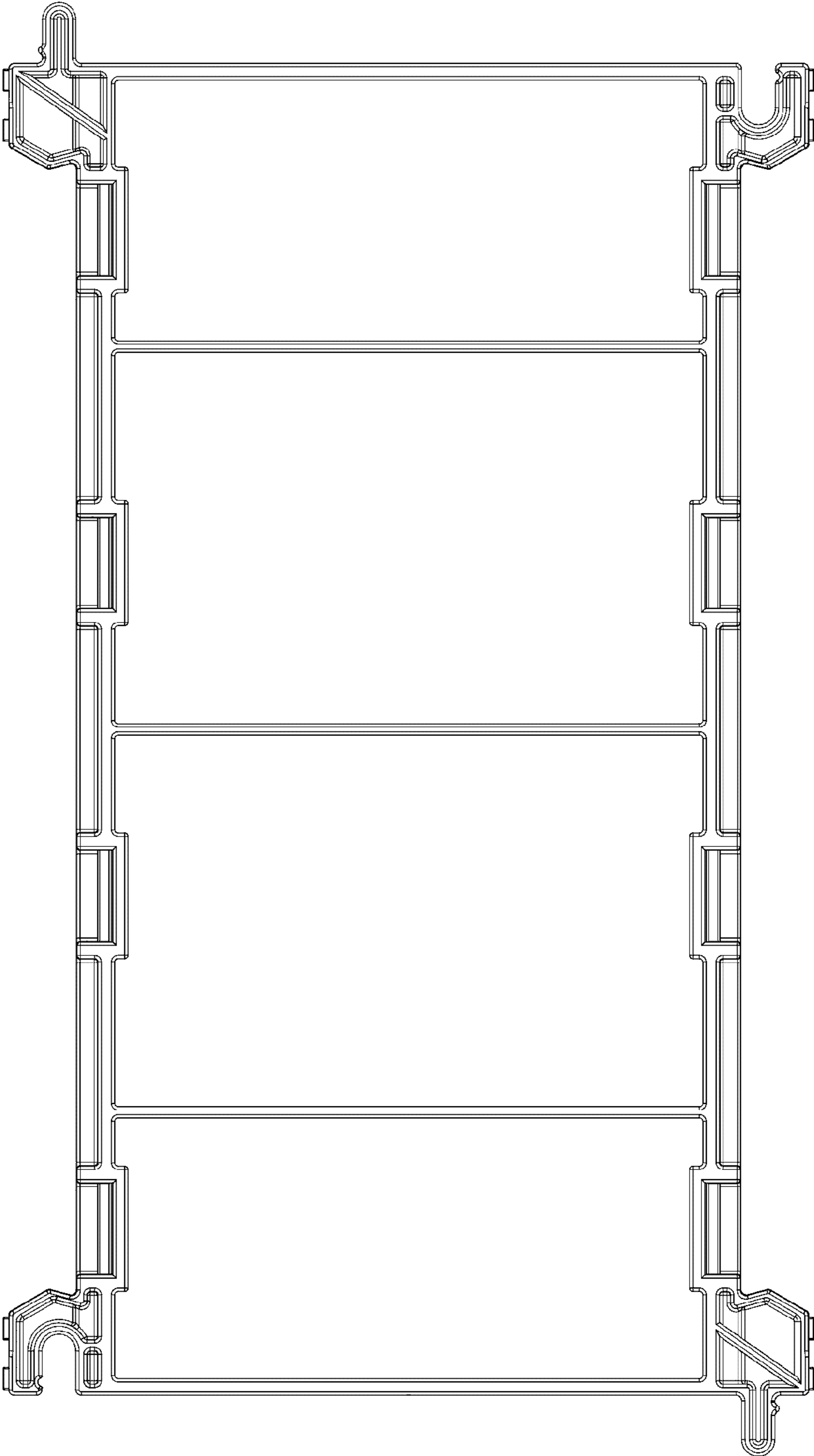


FIGURE 6

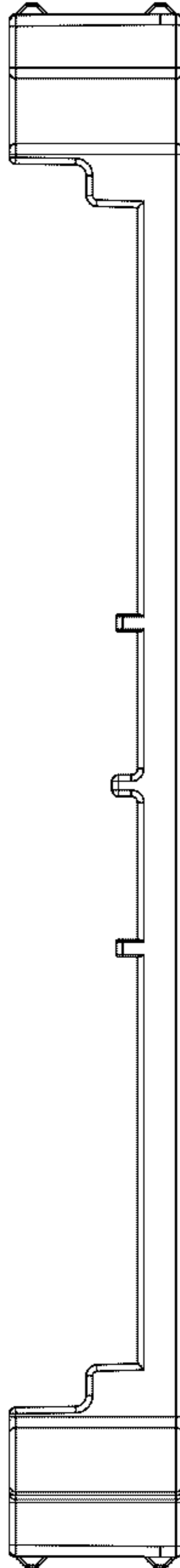


FIGURE 7



FIGURE 8

