



US00D689138S

(12) **United States Design Patent**
Ashida et al.

(10) **Patent No.:** **US D689,138 S**
(45) **Date of Patent:** **** Sep. 3, 2013**

(54) **CONTROLLER FOR ELECTRONIC COMPUTER**

(71) Applicant: **Nintendo Co., Ltd.**, Kyoto (JP)
(72) Inventors: **Kenichiro Ashida**, Kyoto (JP); **Masato Ibuki**, Kyoto (JP); **Shinji Yamamoto**, Kyoto (JP); **Fumiyoshi Suetake**, Kyoto (JP); **Akiko Suga**, Kyoto (JP); **Naoya Yamamoto**, Kyoto (JP); **Hitoshi Tsuchiya**, Kyoto (JP); **Junji Takamoto**, Kyoto (JP); **Daisuke Kumazaki**, Kyoto (JP); **Yositomo Gotou**, Kyoto (JP); **Takanori Okamura**, Kyoto (JP)

(73) Assignee: **Nintendo Co., Ltd.**, Kyoto (JP)

(**) Term: **14 Years**

(21) Appl. No.: **29/448,045**

(22) Filed: **Mar. 8, 2013**

Related U.S. Application Data

(63) Continuation of application No. 29/407,699, filed on Dec. 1, 2011, now Pat. No. Des. 681,127.

(30) **Foreign Application Priority Data**

Jun. 3, 2011 (JP) 2011-012714
Jun. 3, 2011 (JP) 2011-012716
Nov. 17, 2011 (JP) 2011-026543
Nov. 25, 2011 (JP) 2011-027285

(51) **LOC (9) Cl.** **21-01**

(52) **U.S. Cl.**
USPC **D21/332**

(58) **Field of Classification Search**
USPC D21/324, 329, 330, 333; D14/496, D14/125; 273/148 B; 463/1, 2, 29-36, 45, 463/47; 345/156, 173, 867, 903; 361/679, 361/681, 672, 500

See application file for complete search history.

(56) **References Cited**

U.S. PATENT DOCUMENTS

4,969,647	A *	11/1990	Mical et al.	463/31
D320,624	S *	10/1991	Taylor	D21/331
D325,225	S	4/1992	Adhida	
D350,782	S	9/1994	Barr	
D360,903	S	8/1995	Barr et al.	
5,769,719	A *	6/1998	Hsu	463/37
6,042,478	A *	3/2000	Ng	463/44
D487,466	S	3/2004	Yokota	
D522,011	S	5/2006	Hayes et al.	
7,193,165	B2 *	3/2007	Kawanobe et al.	200/5 R
D542,855	S *	5/2007	Lim	D21/333
D554,194	S	10/2007	Ehara et al.	
D568,883	S	5/2008	Ashida et al.	
D570,349	S	6/2008	Ashida et al.	
D607,946	S	1/2010	Ehara et al.	

(Continued)

Primary Examiner — Prabhakar Deshmukh

(74) *Attorney, Agent, or Firm* — Nixon & Vanderhye, P.C.

(57) **CLAIM**

The ornamental design for a controller for electronic computer, as shown by solid lines and described.

DESCRIPTION

FIG. 1 is front, left and top perspective view of a controller for electronic computer showing an embodiment of our new design;

FIG. 2 is rear, right and bottom perspective view thereof;

FIG. 3 is a front view thereof;

FIG. 4 is a rear plan view thereof;

FIG. 5 is a top plan view thereof;

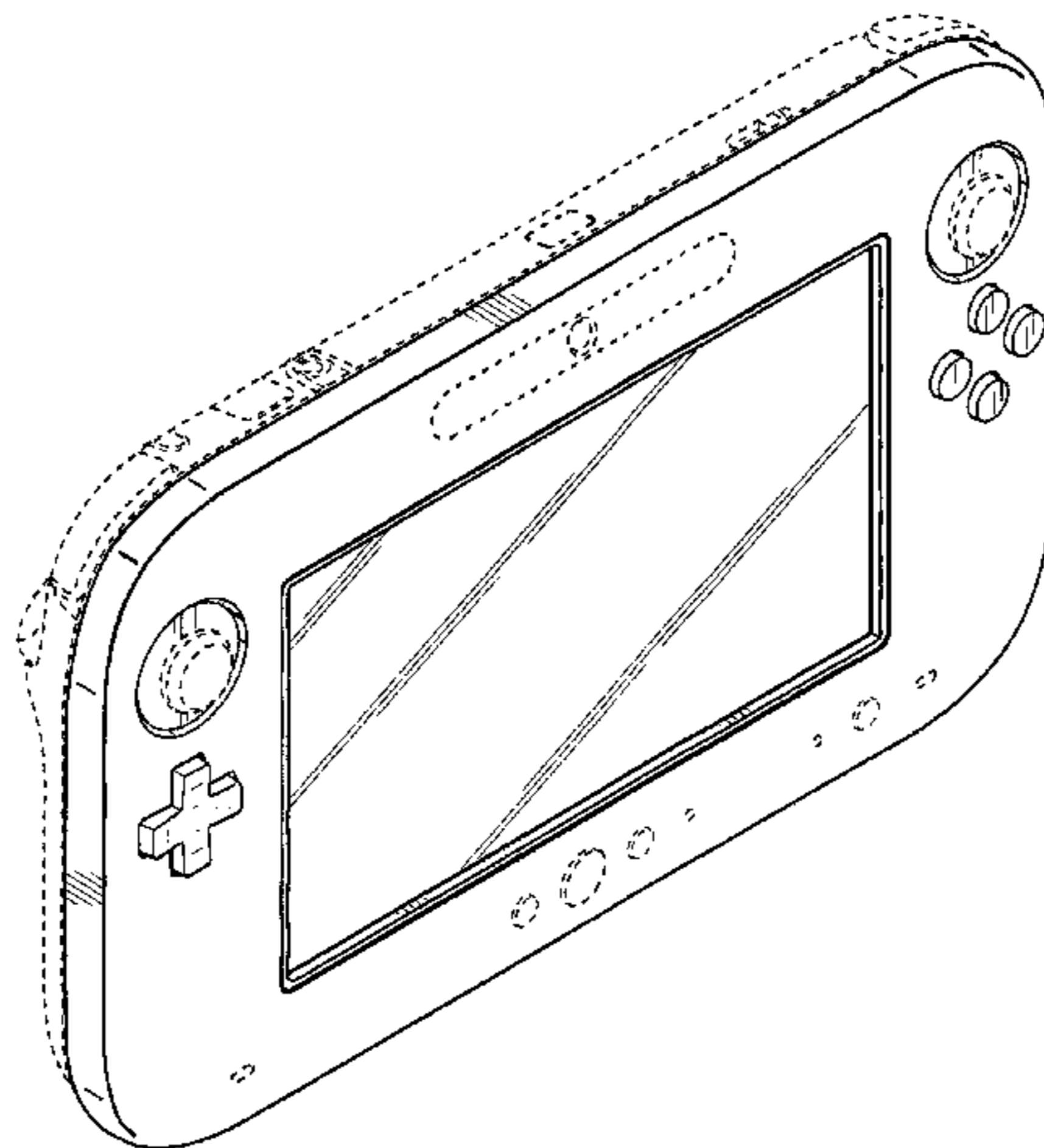
FIG. 6 is a bottom plan view thereof;

FIG. 7 is a left side view thereof; and,

FIG. 8 is a right side view thereof.

The subject matter shown in dashed lines is for reference purposes only, and forms no part of the claimed invention.

1 Claim, 6 Drawing Sheets



US D689,138 S

Page 2

(56)

References Cited

U.S. PATENT DOCUMENTS

D620,939 S 8/2010 Suetake et al.
D632,341 S * 2/2011 Lim et al. D21/333
D641,049 S * 7/2011 Ehara et al. D21/330

D643,476 S * 8/2011 Ehara et al. D21/333
D650,447 S 12/2011 Ehara et al.
8,105,169 B2 * 1/2012 Ogasawara et al. 463/46
D655,349 S 3/2012 Ehara et al.

* cited by examiner

FIG. 1

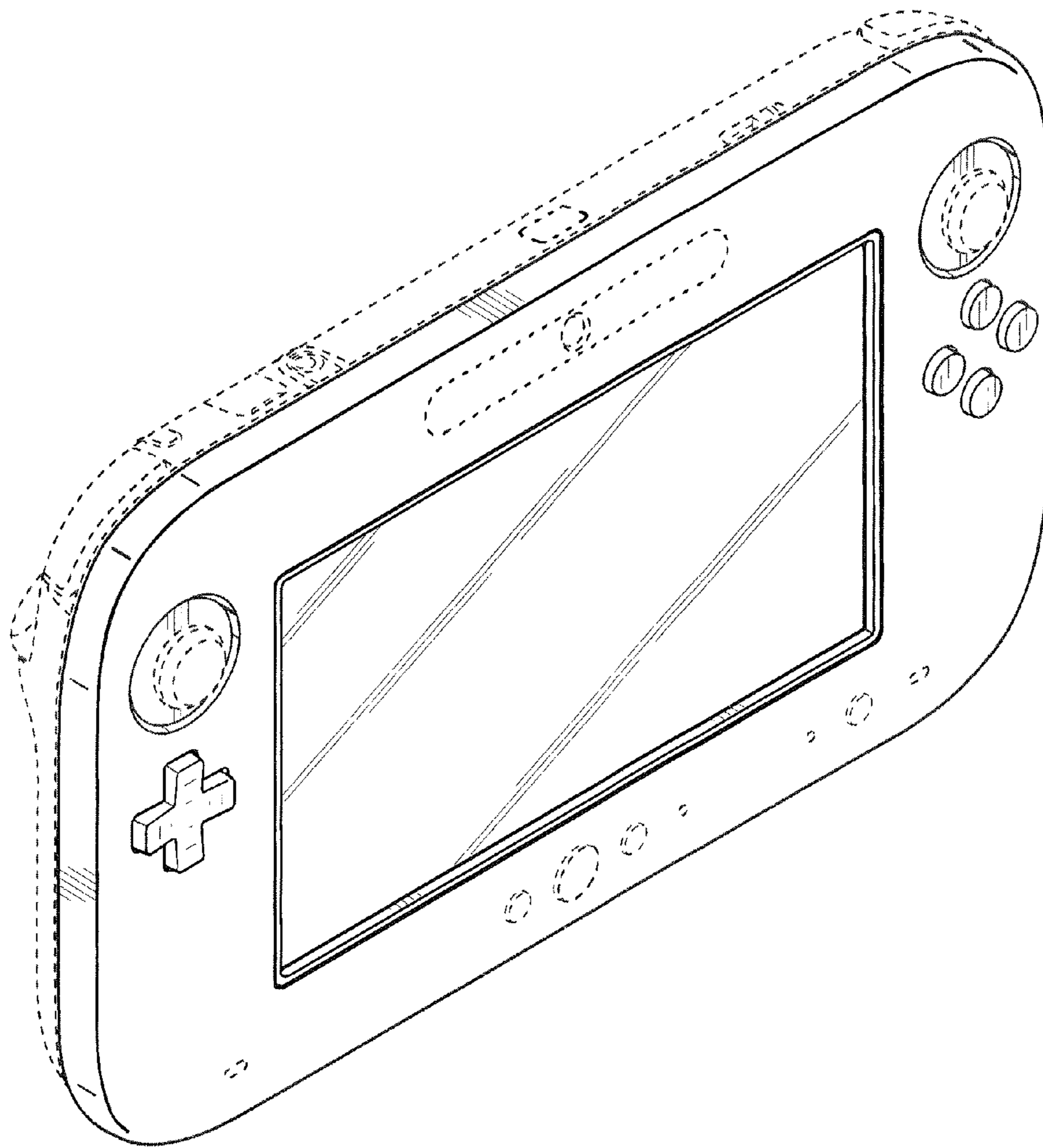
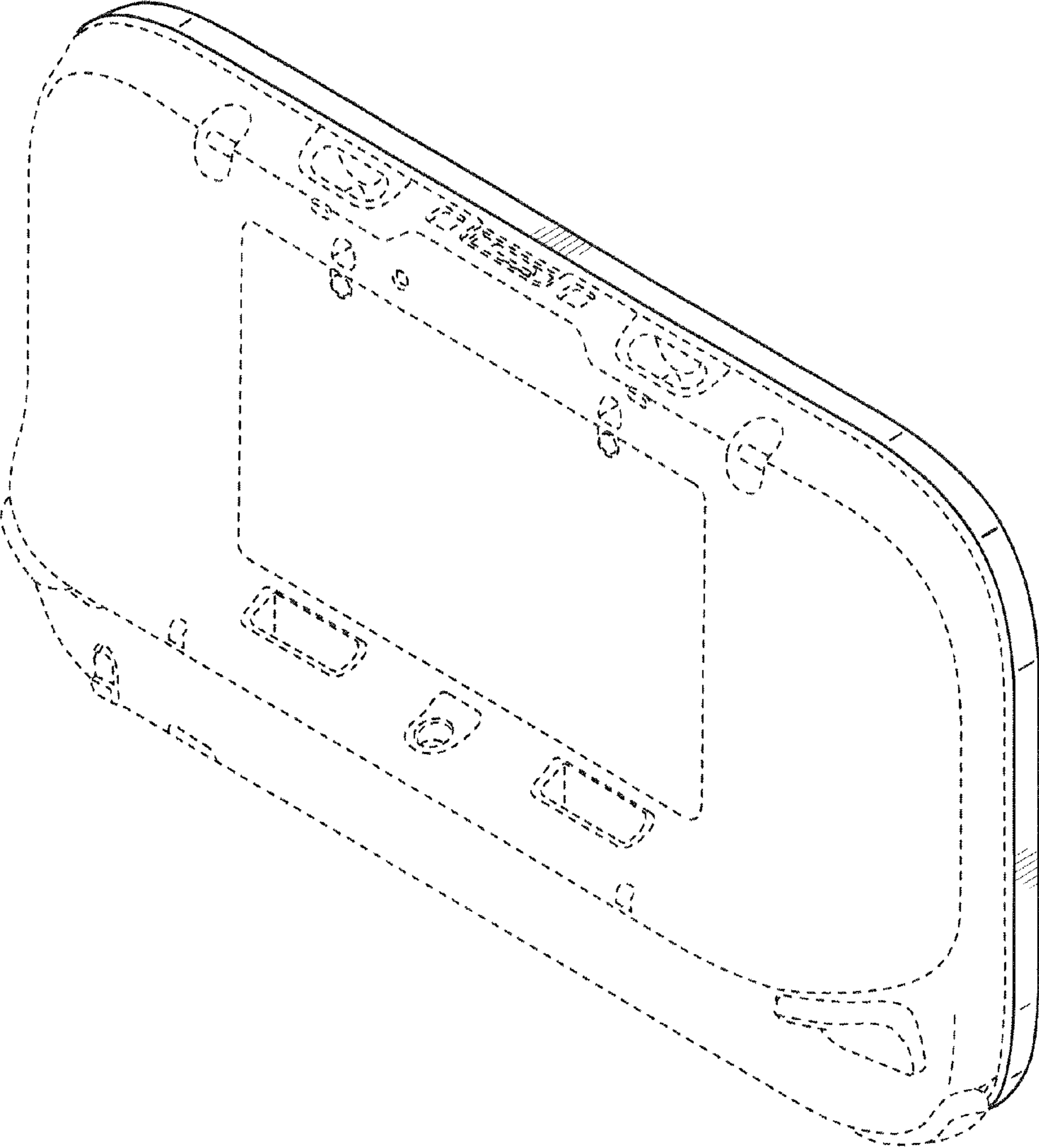


FIG. 2



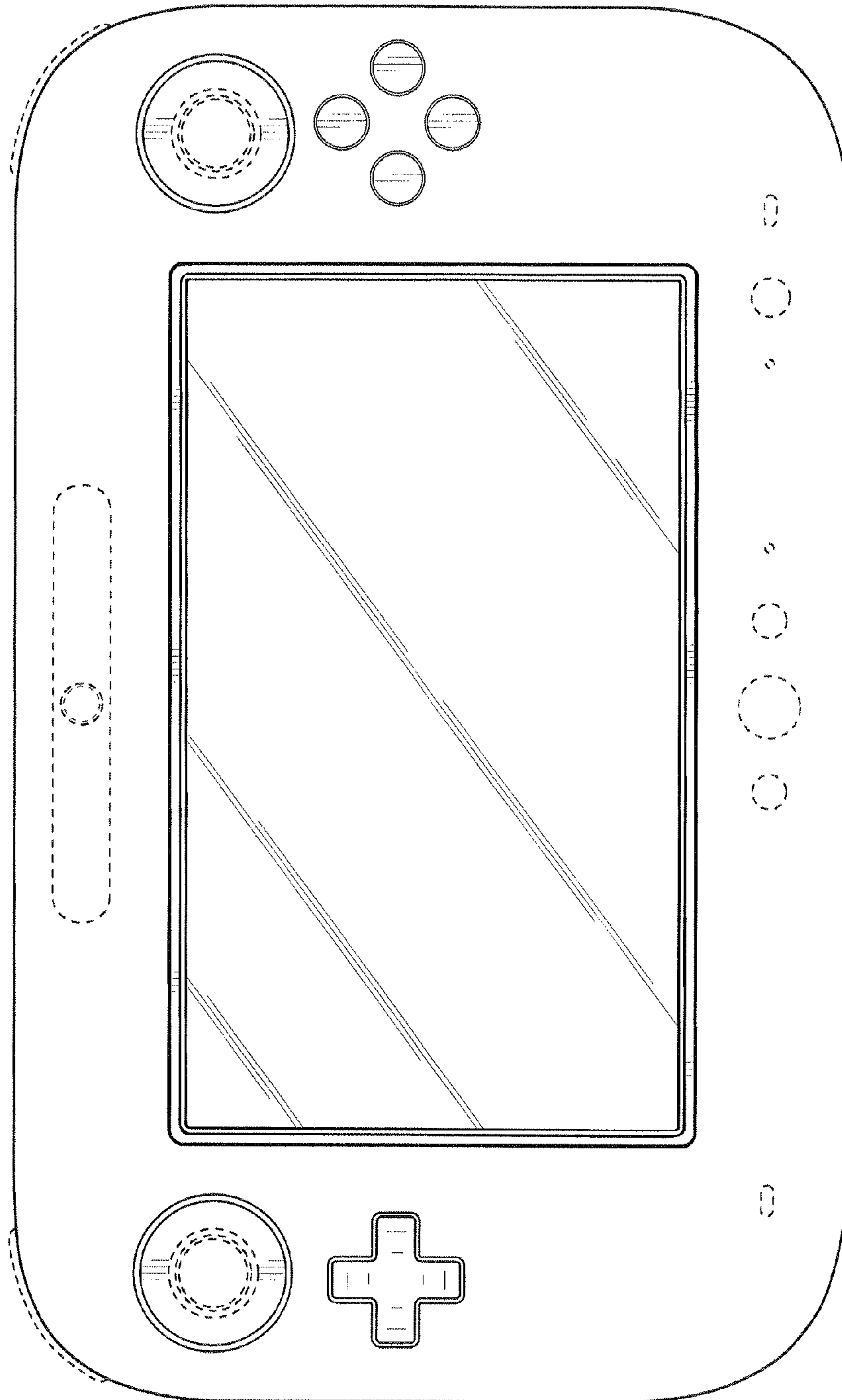


FIG. 3

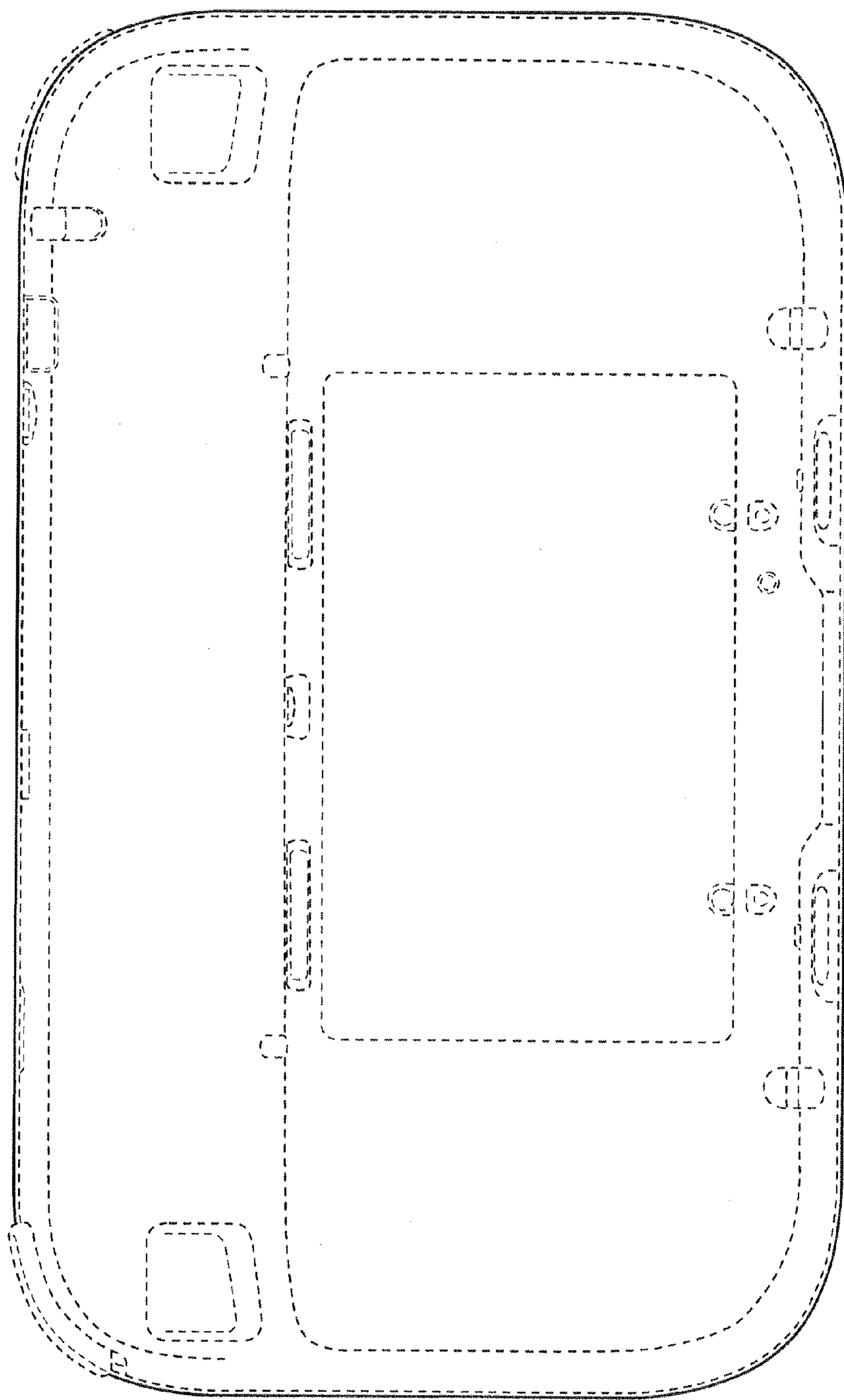


FIG. 4

FIG. 5

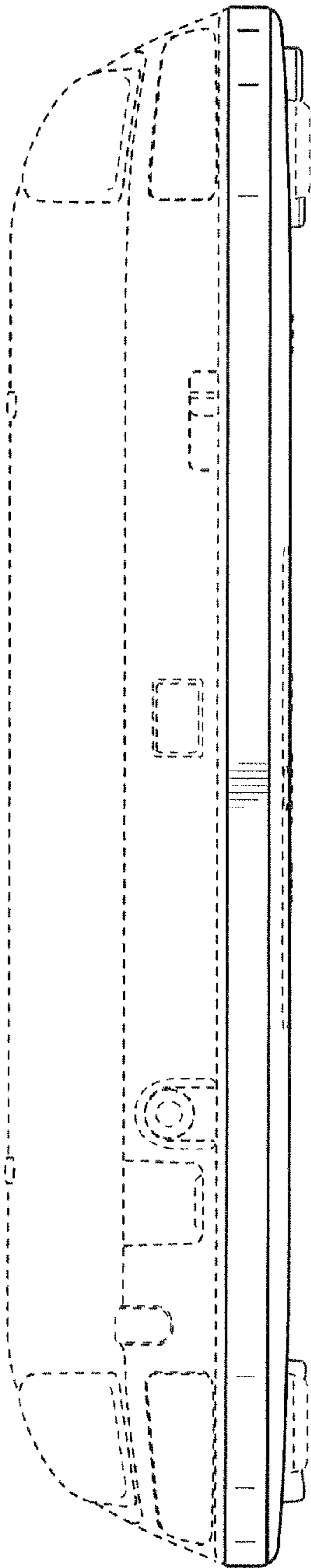
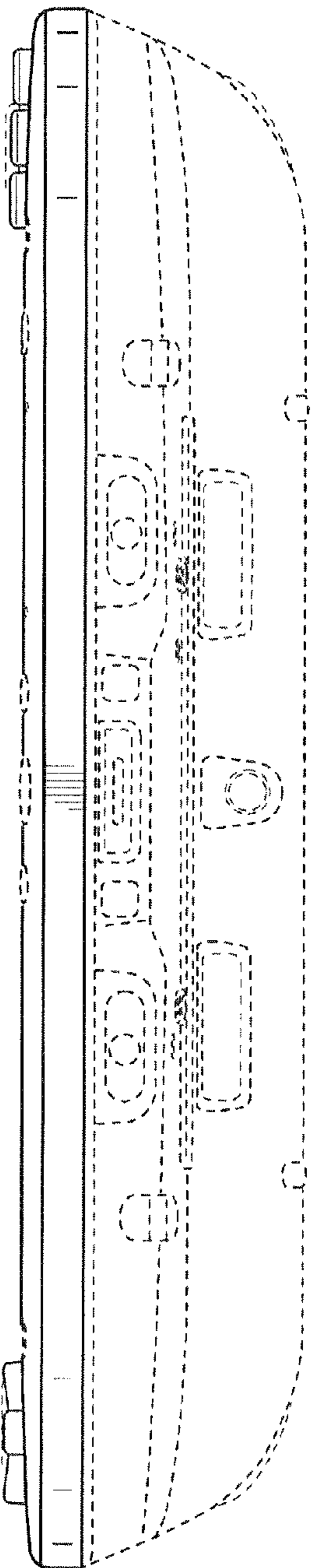


FIG. 6



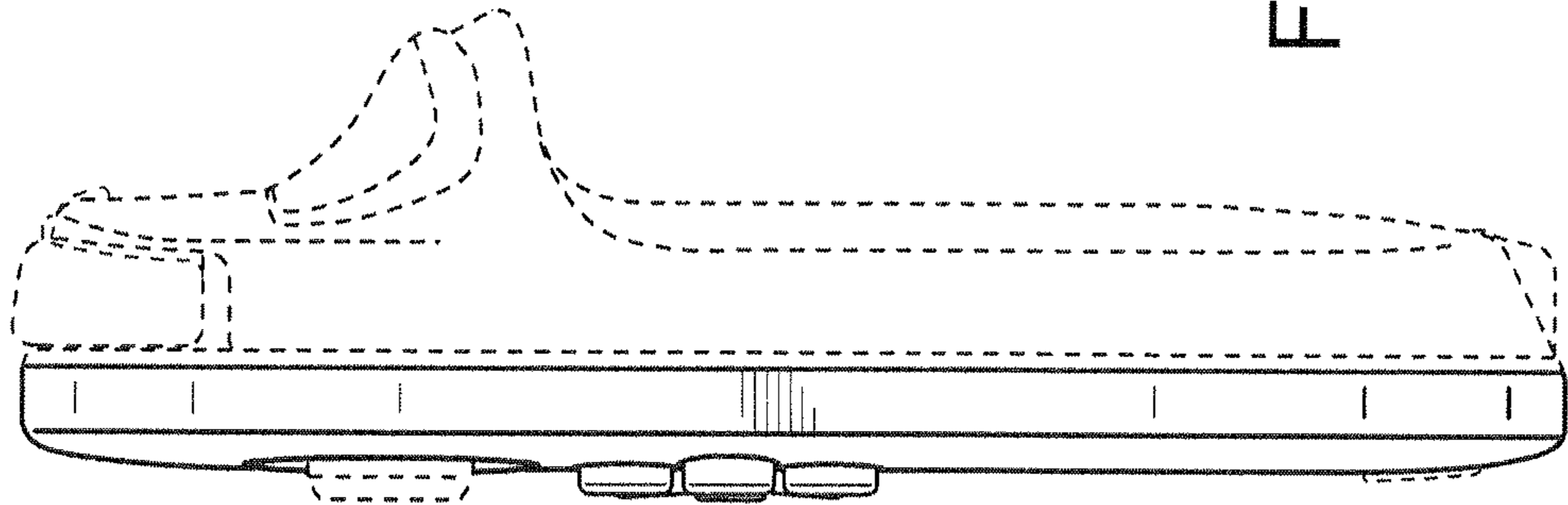


FIG. 8

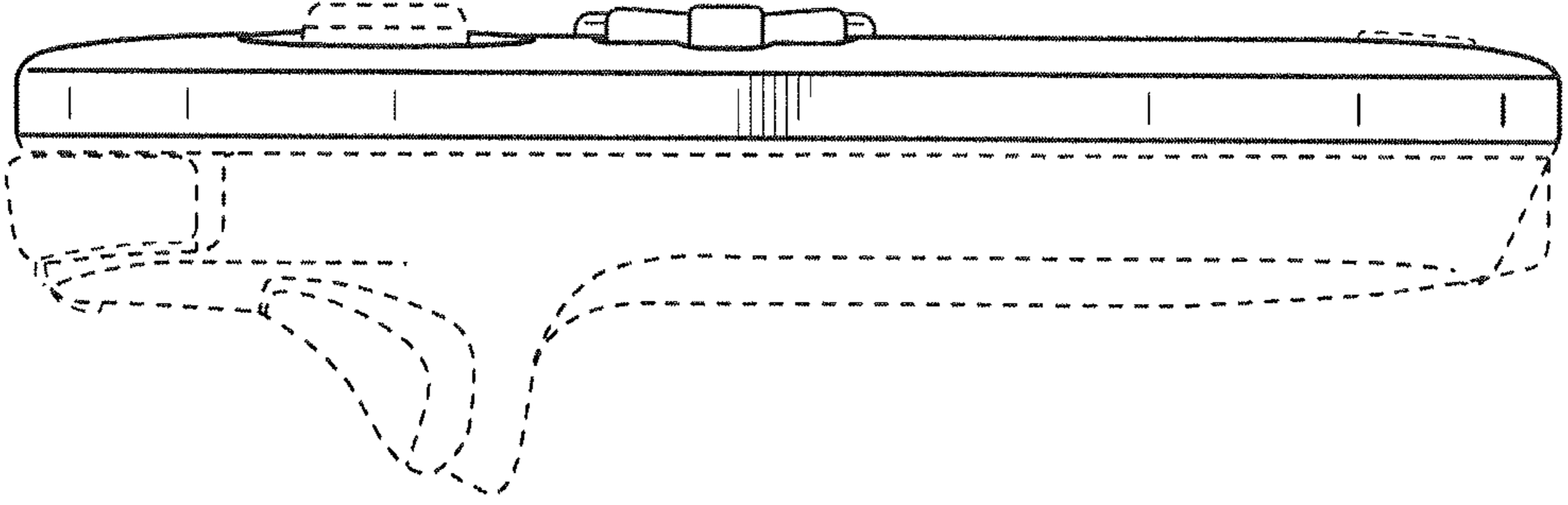


FIG. 7