



US00D689137S

(12) **United States Design Patent**
McGreevy et al.

(10) **Patent No.:** **US D689,137 S**

(45) **Date of Patent:** **** Sep. 3, 2013**

(54) **DISPENSER**

(71) Applicant: **3M Innovative Properties Company**,
St. Paul, MN (US)

(72) Inventors: **Sean C. McGreevy**, St. Paul, MN (US);
Shaelyn D. Crutchley, St. Paul, MN
(US)

(73) Assignee: **3M Innovative Properties Company**,
St. Paul, MN (US)

(**) Term: **14 Years**

(21) Appl. No.: **29/445,474**

(22) Filed: **Feb. 12, 2013**

(51) **LOC (9) Cl.** **19-02**

(52) **U.S. Cl.**
USPC **D19/86**

(58) **Field of Classification Search**
USPC D3/201, 206, 247; D6/515, 517,
D6/518; D9/414, 432; D19/75, 78, 86, 90-92;
206/37, 39, 39.5, 215, 233, 425; 221/282,
221/283, 284, 285
See application file for complete search history.

(56) **References Cited**

U.S. PATENT DOCUMENTS

D284,777 S * 7/1986 Anthony D19/91
D409,664 S * 5/1999 Perrin et al. D19/90

D495,336 S * 8/2004 Andre et al. D14/434
D575,150 S * 8/2008 Hageman D9/432
D581,185 S * 11/2008 Annicelli D6/457
D588,139 S * 3/2009 Fujino et al. D14/447
D604,531 S * 11/2009 Annicelli D6/457
D630,868 S * 1/2011 Annicelli D6/457
D635,129 S * 3/2011 Kim et al. D14/239
D662,492 S * 6/2012 Akana et al. D14/217

* cited by examiner

Primary Examiner — Elizabeth Albert

(74) *Attorney, Agent, or Firm* — Irina Hass

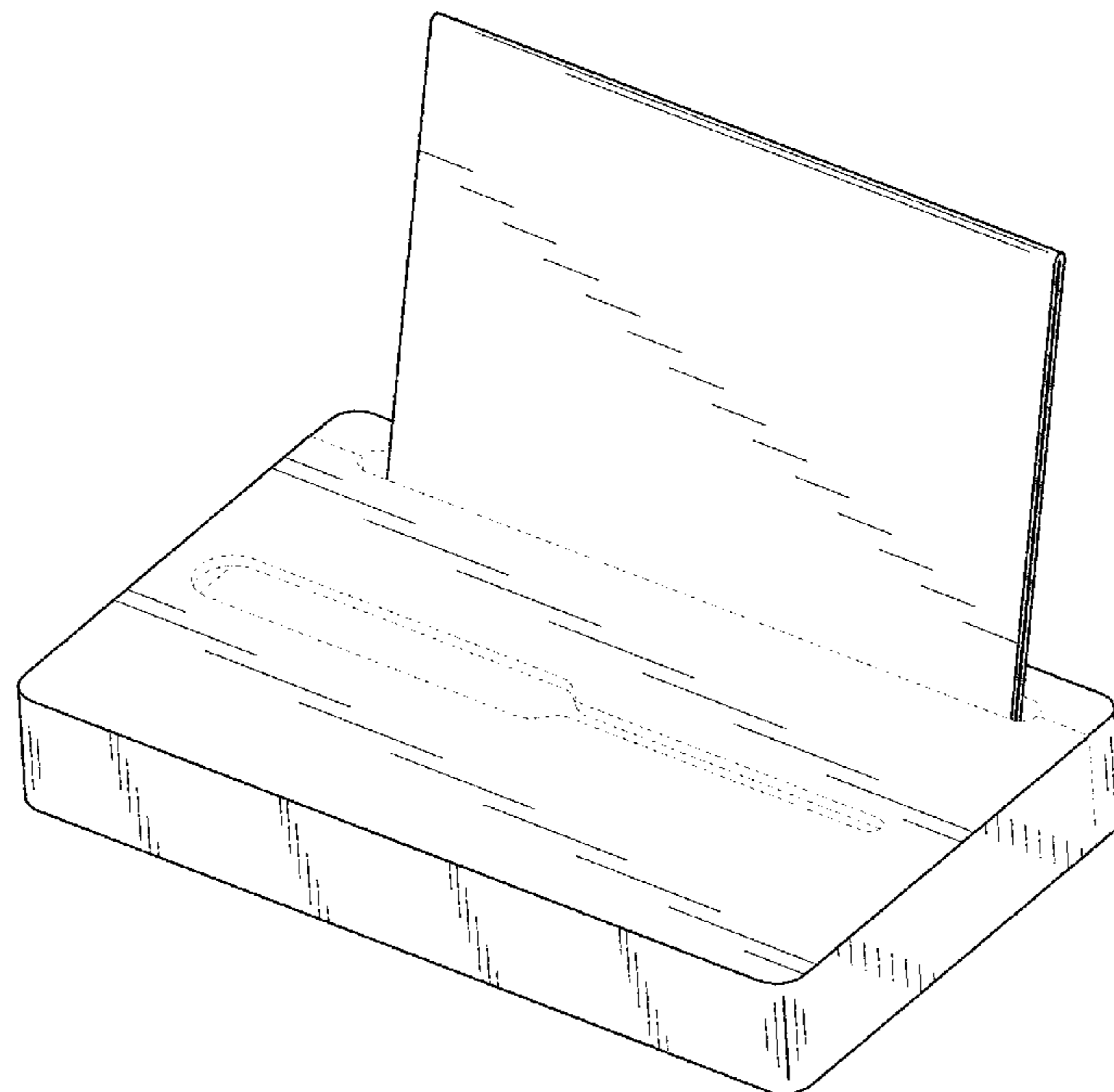
(57) **CLAIM**

The ornamental design for a dispenser, as shown and described.

DESCRIPTION

FIG. 1 is a perspective view showing the new design for a dispenser;
FIG. 2 is a right side view thereof, a left side view being a mirror image thereof;
FIG. 3 is a front view thereof;
FIG. 4 is a rear view thereof;
FIG. 5 is a top view thereof;
FIG. 6 is a bottom view thereof; and,
FIG. 7 is a perspective view thereof showing the dispenser with flags and a note.
The broken lines in FIGS. 1-7 are included for the purpose of showing portions of the dispenser that form no part of the claimed design.

1 Claim, 4 Drawing Sheets



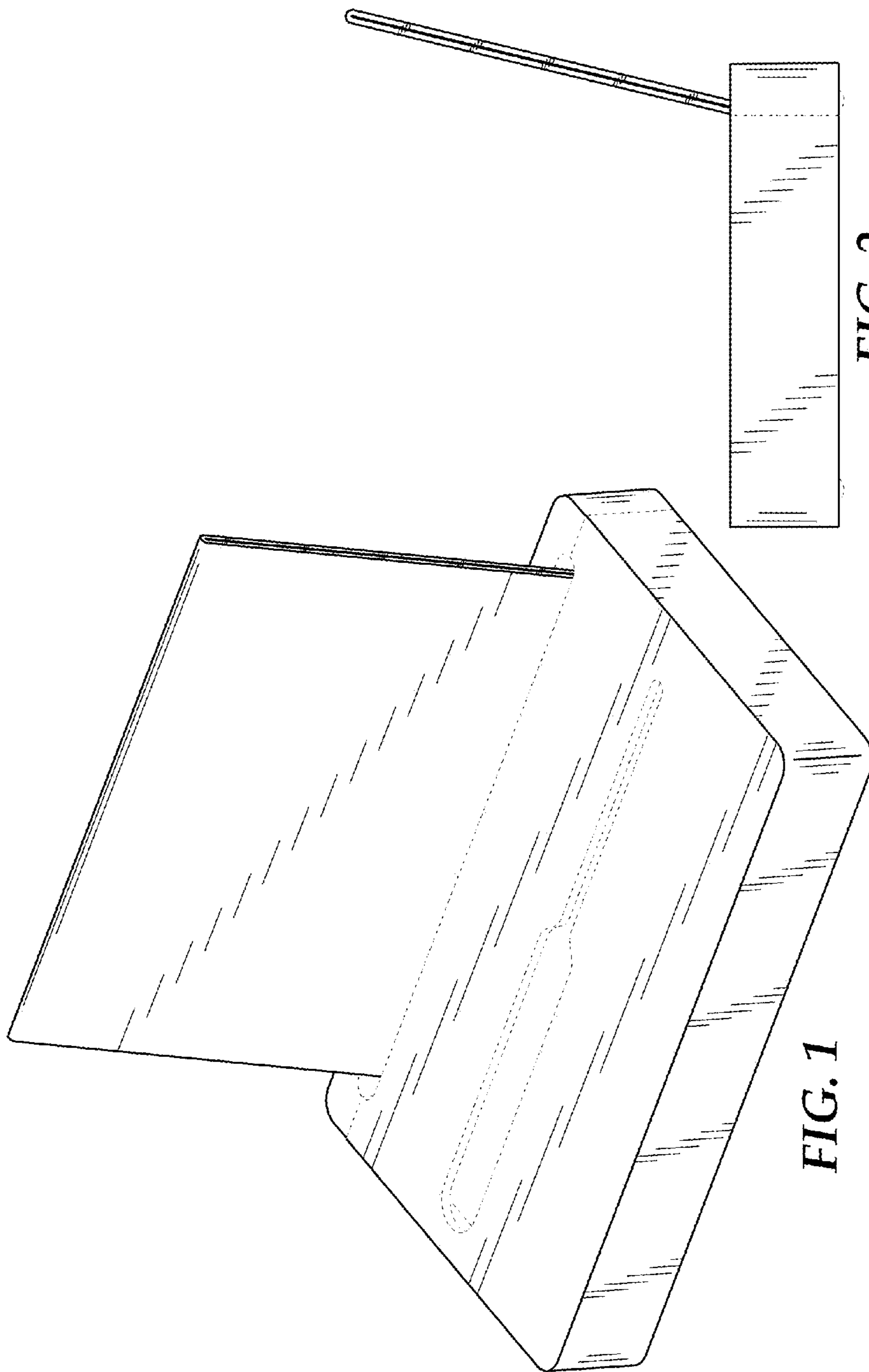


FIG. 2

FIG. 1

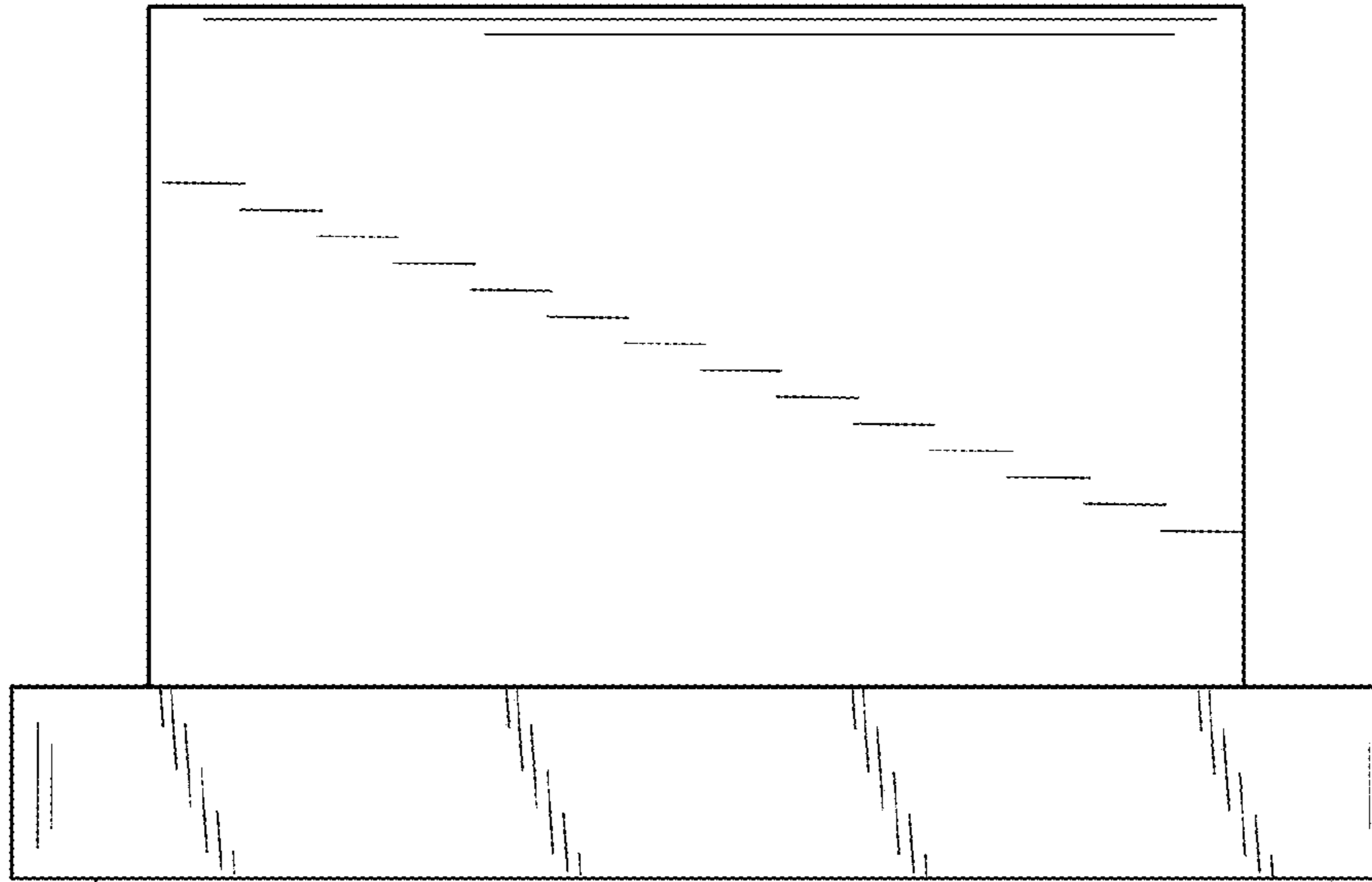


FIG. 3

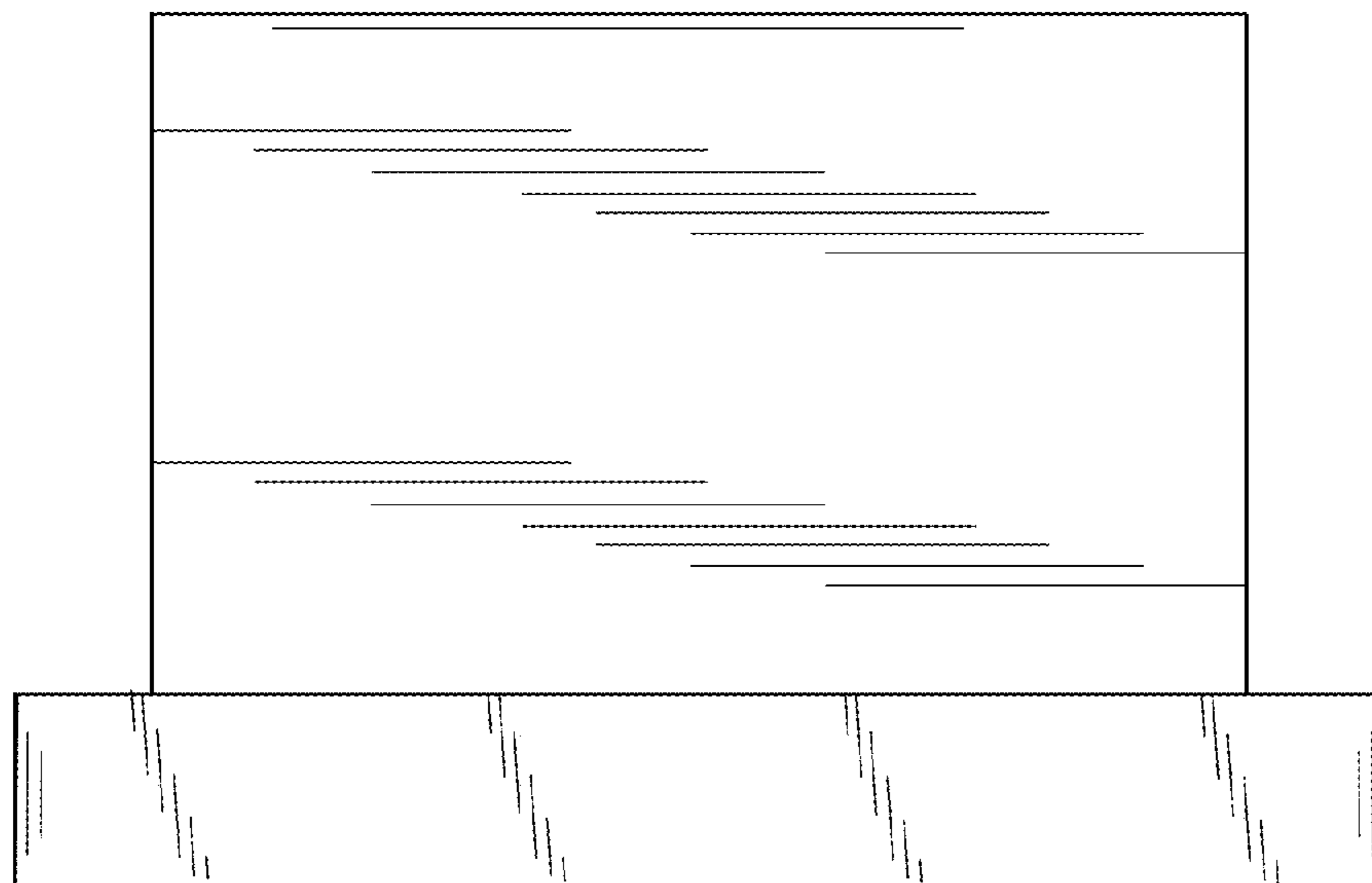


FIG. 4

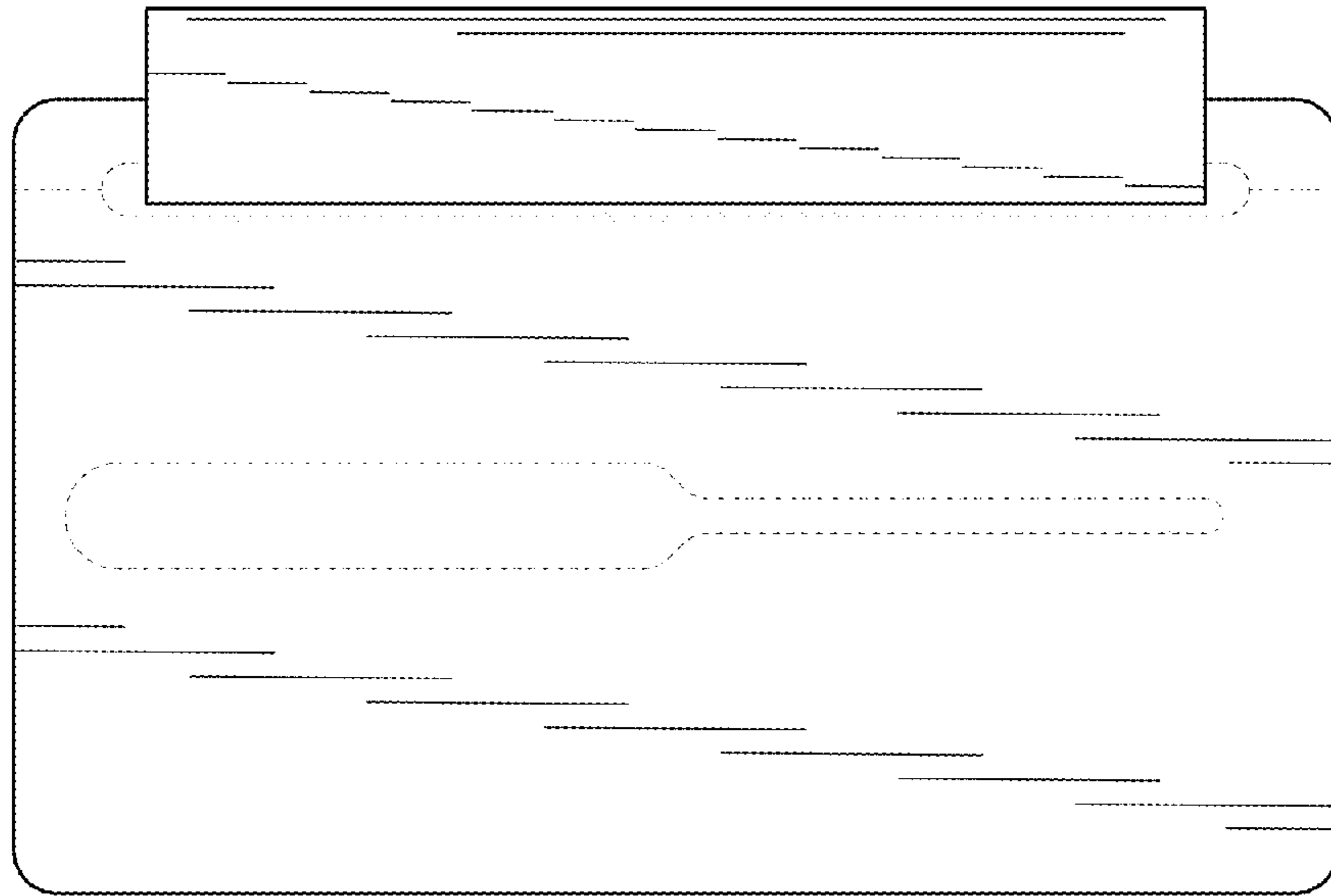


FIG. 5

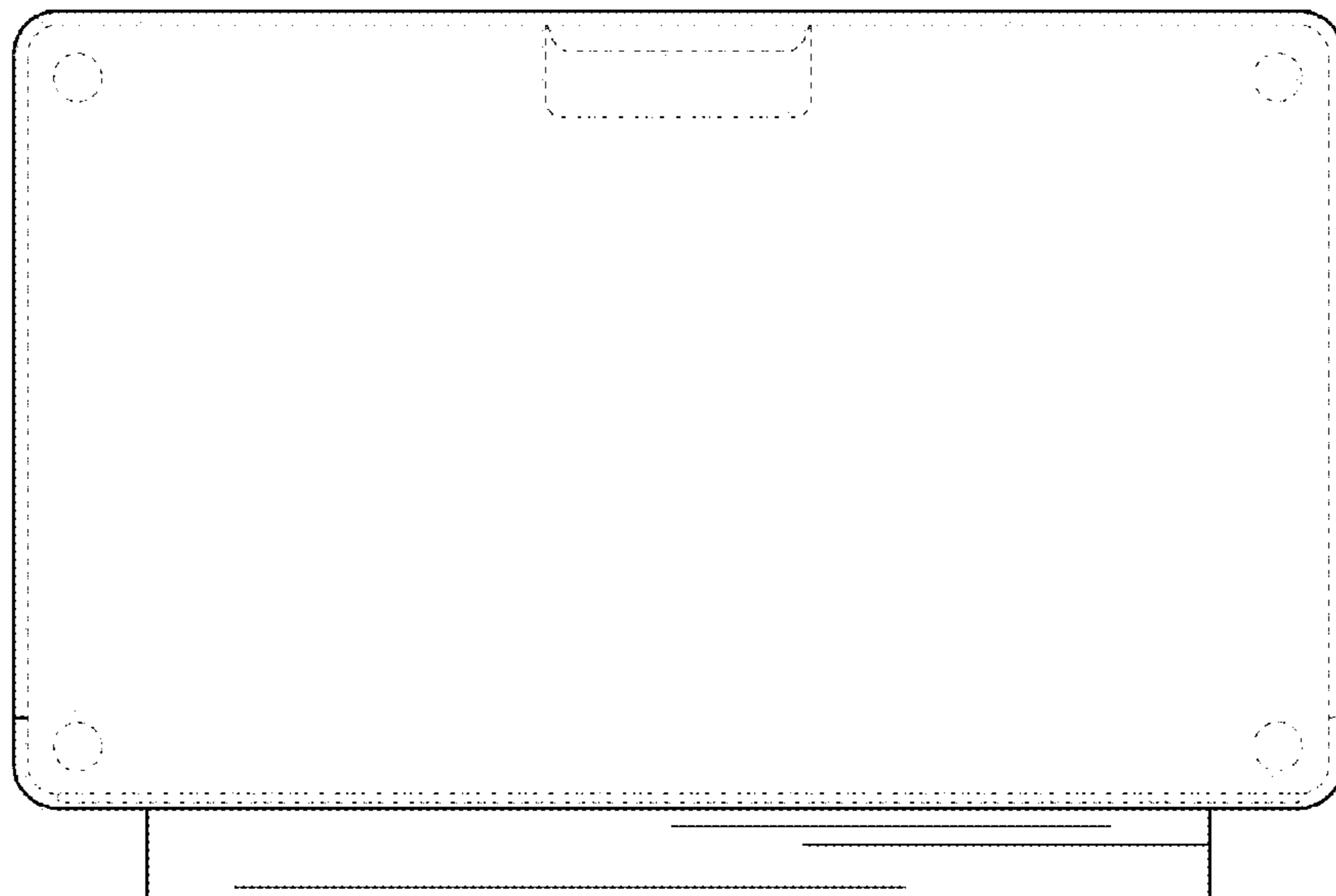


FIG. 6

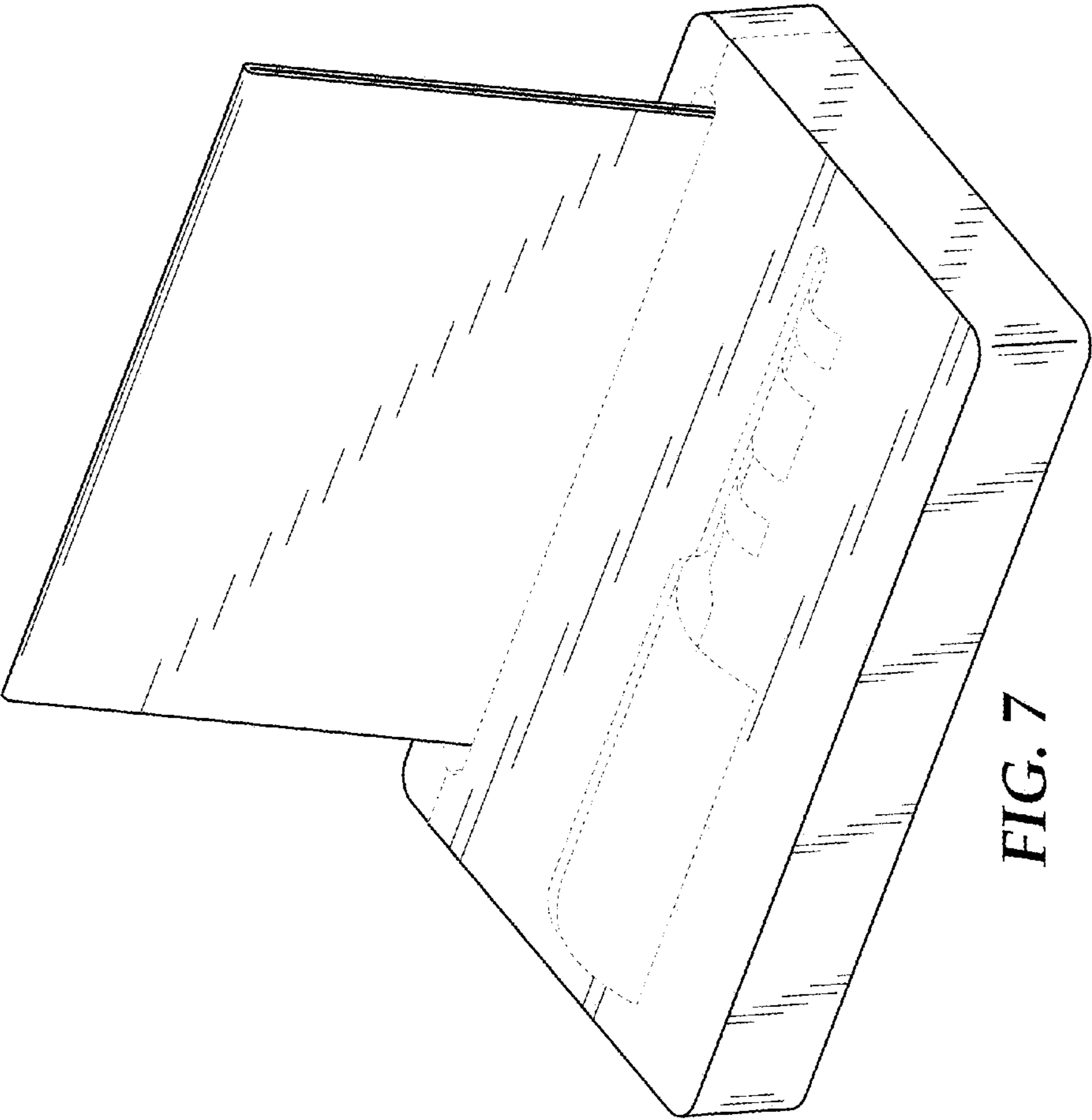


FIG. 7