



US00D689136S

(12) **United States Design Patent**
Crutchley et al.

(10) **Patent No.:** **US D689,136 S**

(45) **Date of Patent:** **** Sep. 3, 2013**

(54) **NOTE DISPENSER**

(75) Inventors: **Shaelyn D. Crutchley**, St. Paul, MN (US); **Martin E. Broen**, Milan (IT); **Johannes Bayer**, Balgach (CH)

(73) Assignee: **3M Innovative Properties Company**, St. Paul, MN (US)

(**) Term: **14 Years**

(21) Appl. No.: **29/431,506**

(22) Filed: **Sep. 7, 2012**

(51) **LOC (9) Cl.** **19-02**

(52) **U.S. Cl.**
USPC **D19/86**

(58) **Field of Classification Search**
USPC D3/201, 206, 247; D6/515, 517, D6/518; D9/618, 619, 414, 432; D19/75, D19/78, 86, 90-92; 206/37, 39, 39.5, 215, 206/233, 425, 457; 221/282, 283, 284, 285; D11/128, 136, 150, 157, 160; D21/578, D21/635

See application file for complete search history.

(56) **References Cited**

U.S. PATENT DOCUMENTS

D187,177 S *	2/1960	Lawson	D20/31
D233,238 S *	10/1974	Reid	D19/62
4,294,036 A *	10/1981	Wion	446/135
D293,220 S *	12/1987	Pierce	D11/161
D296,347 S *	6/1988	Kanoh	D21/578
D296,426 S *	6/1988	Dannheiser	D11/160
D413,330 S *	8/1999	Augusta	D14/232
D420,064 S *	2/2000	Poirier et al.	D21/621
D425,901 S *	5/2000	Augusta	D14/232
D438,489 S *	3/2001	Young	D11/160
D443,817 S *	6/2001	Jones	D3/271.3

D443,818 S *	6/2001	Jones	D9/618
D453,361 S *	2/2002	Tsai	D21/578
D454,811 S *	3/2002	Perry et al.	D11/160
D486,864 S *	2/2004	Bresciani et al.	D19/82
D492,359 S *	6/2004	So	D19/90
D496,076 S *	9/2004	Klaus et al.	D21/621
D499,343 S *	12/2004	Chan	D10/2
D530,645 S *	10/2006	Perry et al.	D11/160
D541,353 S *	4/2007	Takahashi	D21/578
D541,698 S *	5/2007	Johannson	D11/160
D594,776 S *	6/2009	Teshome	D11/160
D640,326 S *	6/2011	Wu	D19/99
8,067,095 B1 *	11/2011	Beckworth et al.	428/542.4
D677,743 S *	3/2013	Koshiishi	D21/578
D677,744 S *	3/2013	Yu	D21/578

* cited by examiner

Primary Examiner — Elizabeth Albert

(74) *Attorney, Agent, or Firm* — Irina Hass

(57) **CLAIM**

The ornamental design for a note dispenser, as shown and described.

DESCRIPTION

FIG. 1 is a perspective view showing the new design for a note dispenser;

FIG. 2 is a front view thereof;

FIG. 3 is a rear view thereof;

FIG. 4 is a left side view thereof;

FIG. 5 is a right side view thereof;

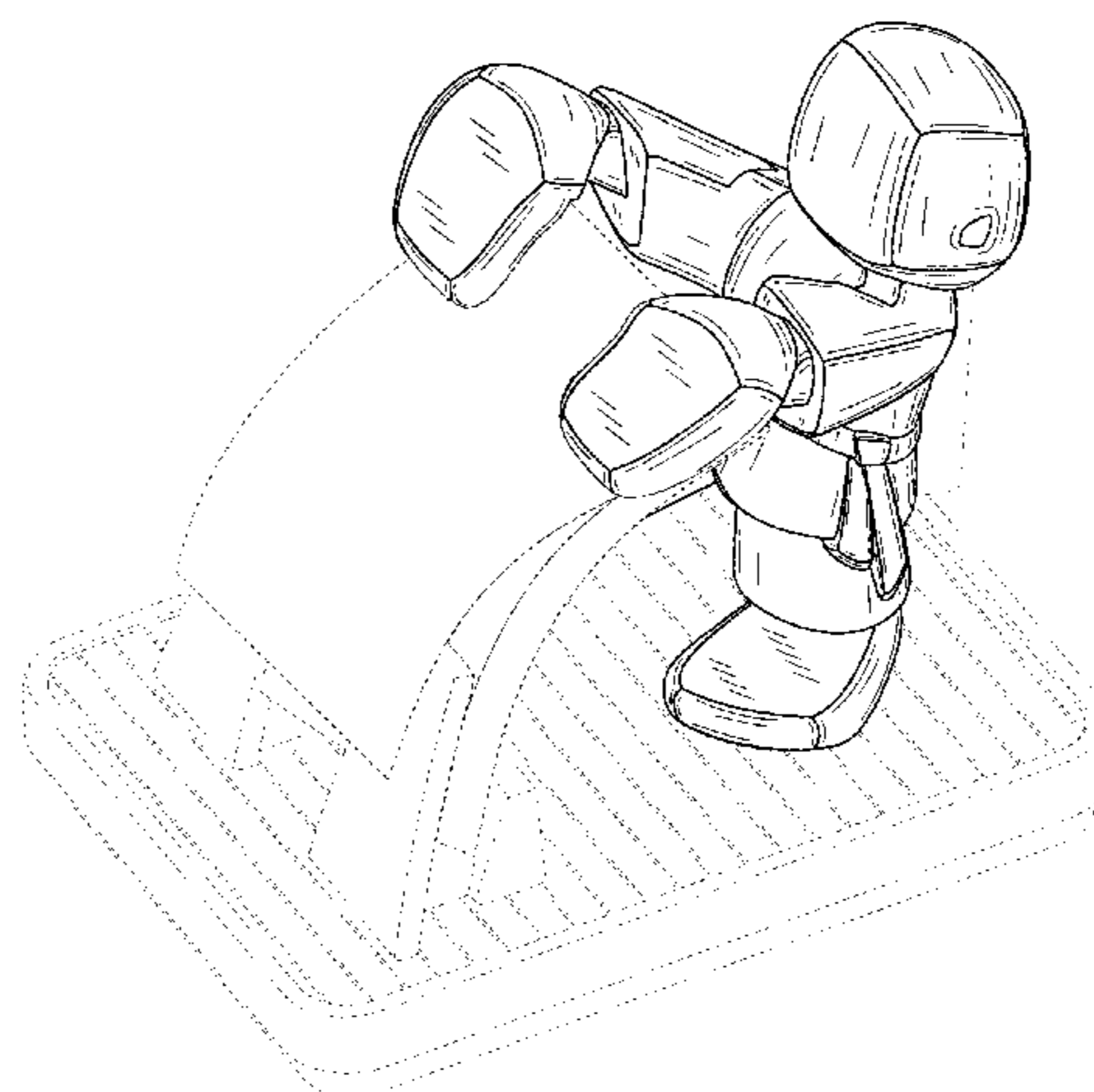
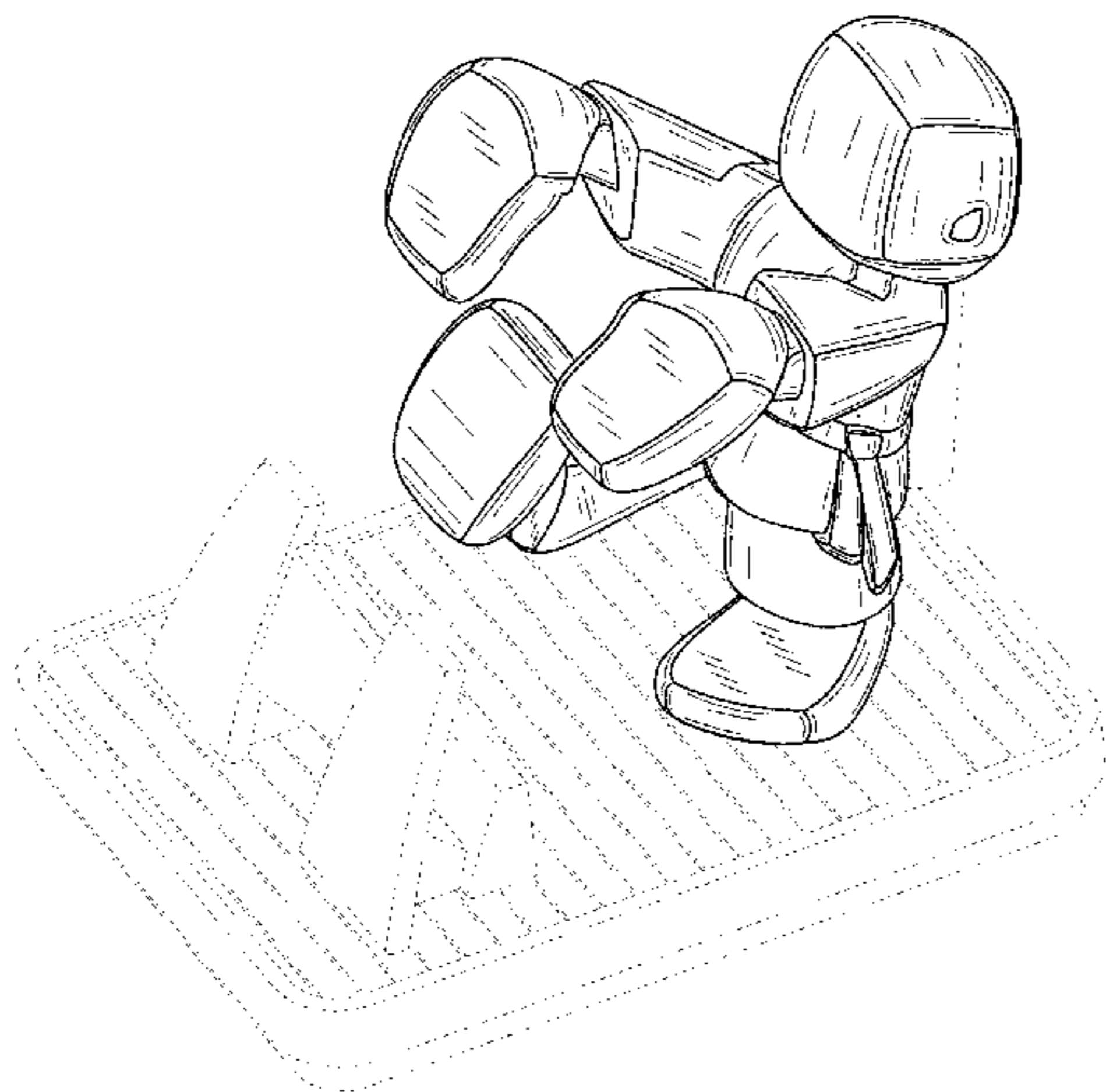
FIG. 6 is a top view thereof;

FIG. 7 is a bottom view thereof; and,

FIG. 8 is a perspective view thereof showing the note dispenser with a note pad.

The broken lines in FIGS. 1-8 are included for the purpose of showing portions of the note dispenser that form no part of the claimed design.

1 Claim, 5 Drawing Sheets



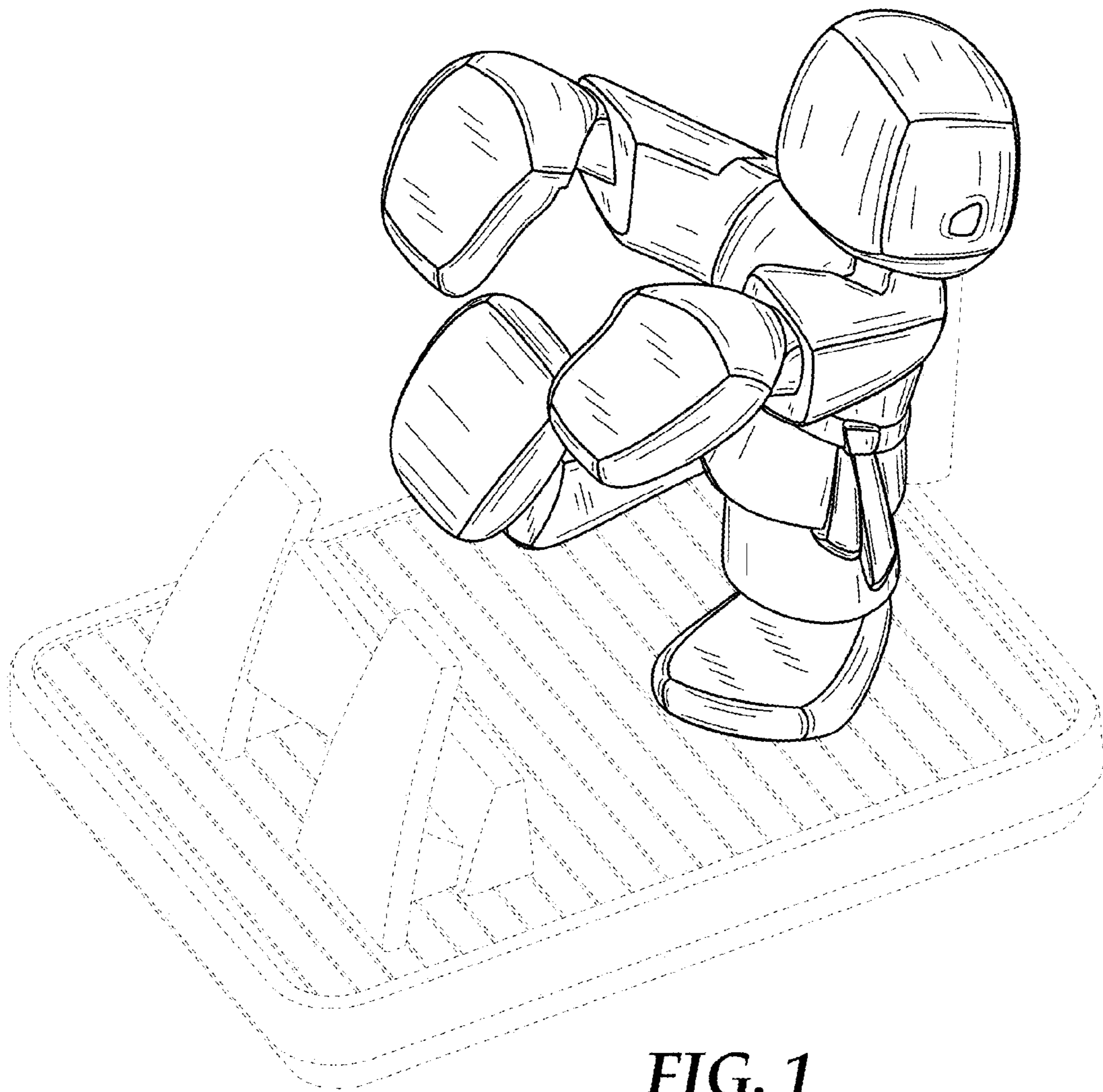
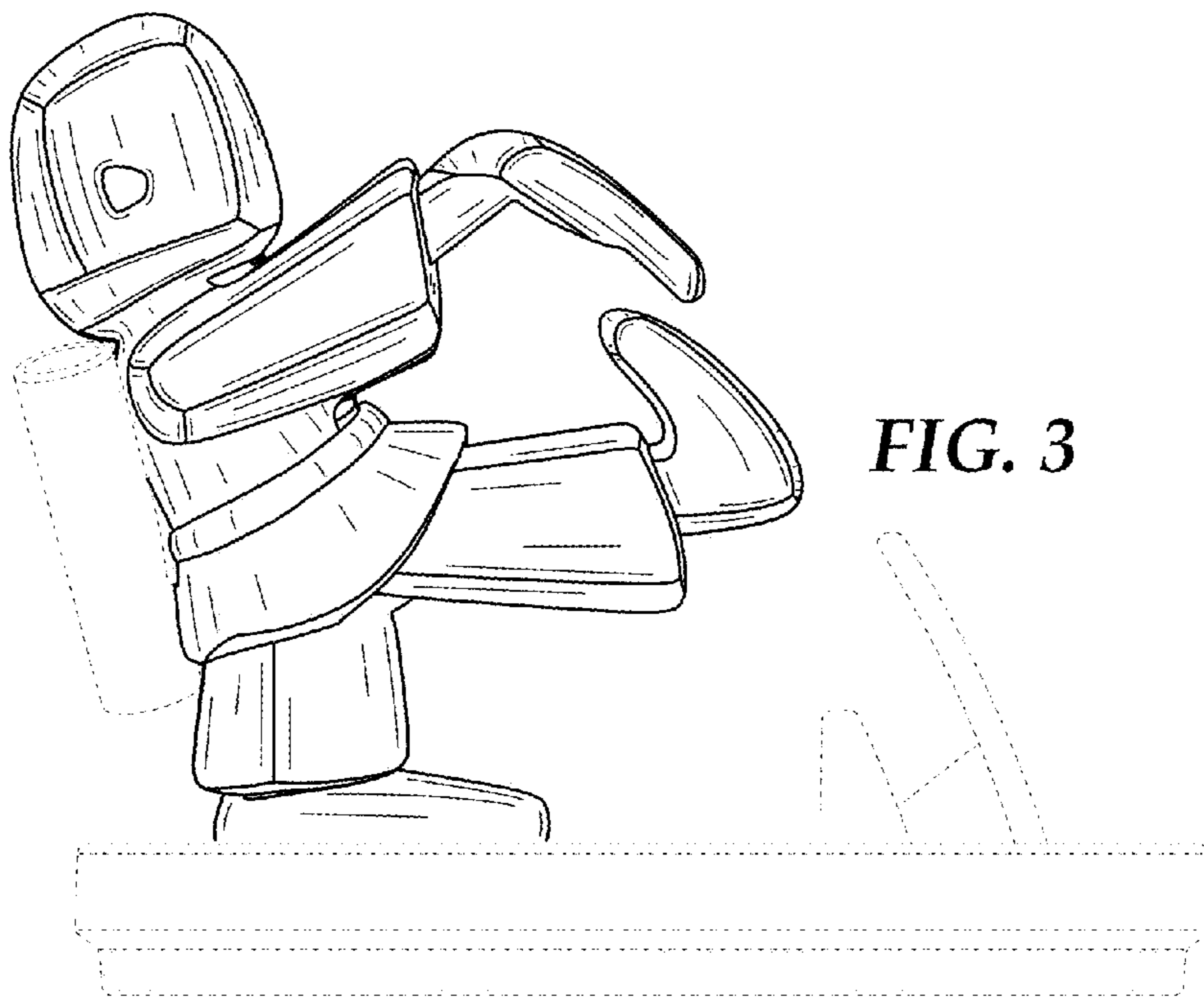
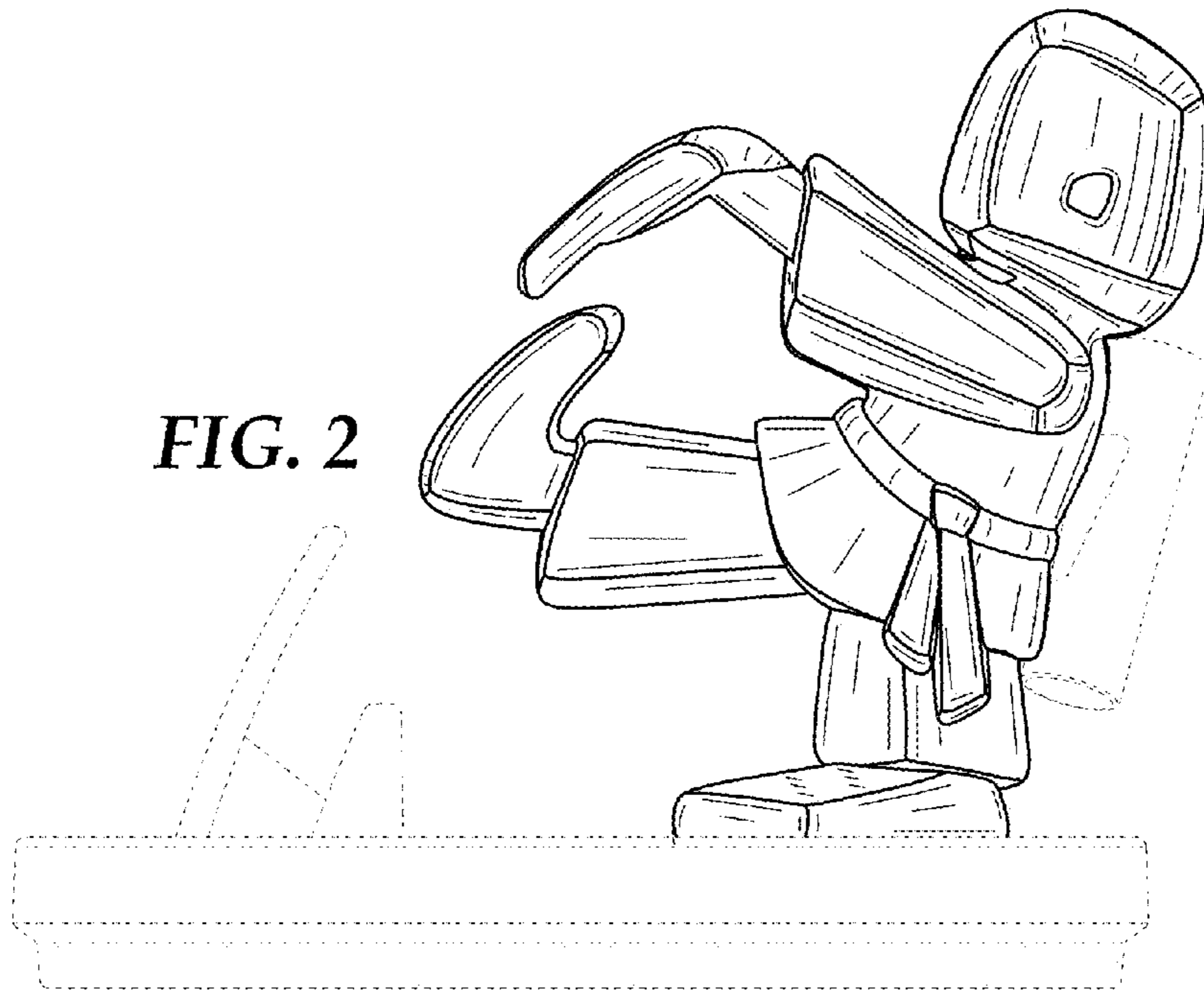


FIG. 1



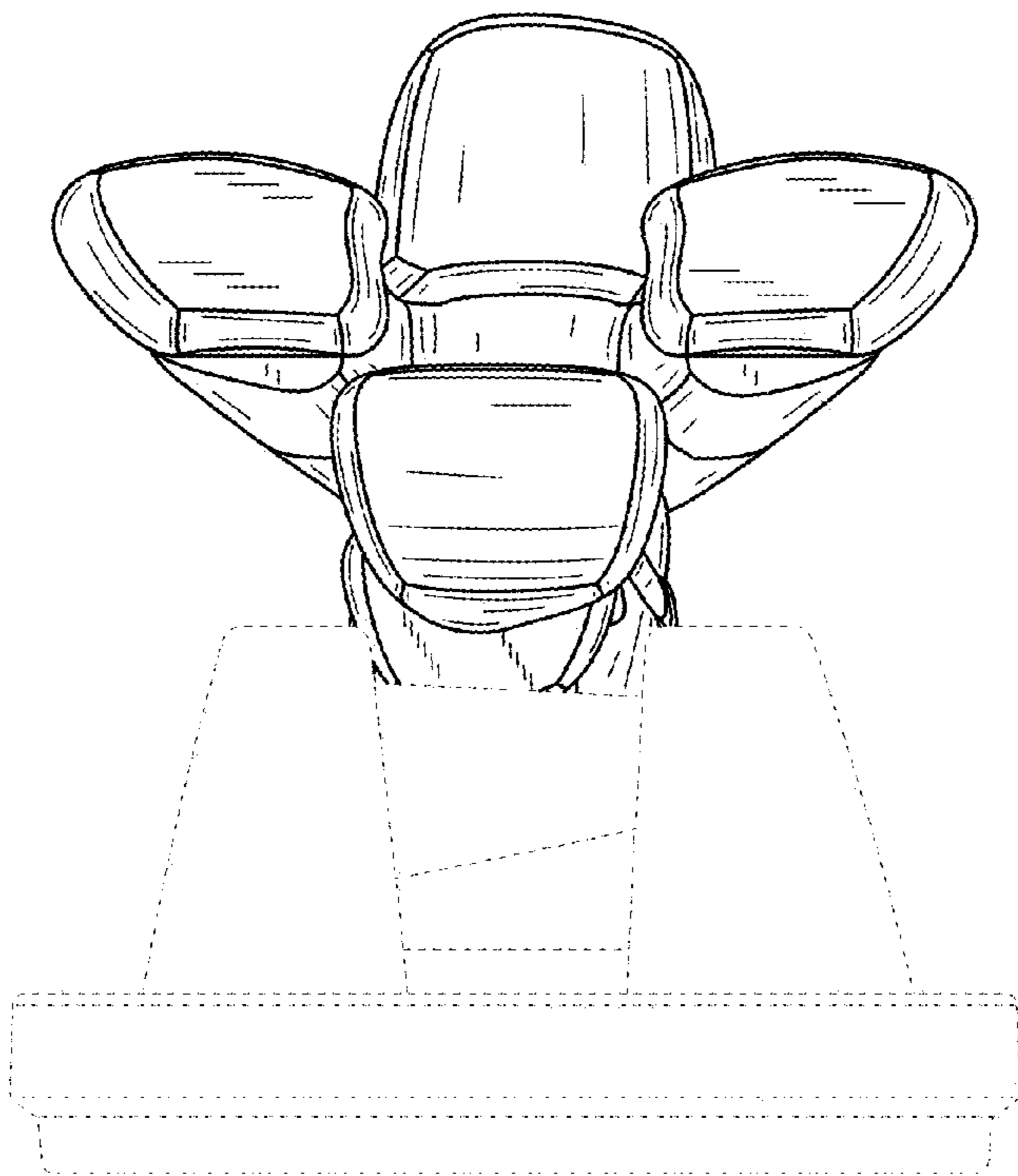


FIG. 4

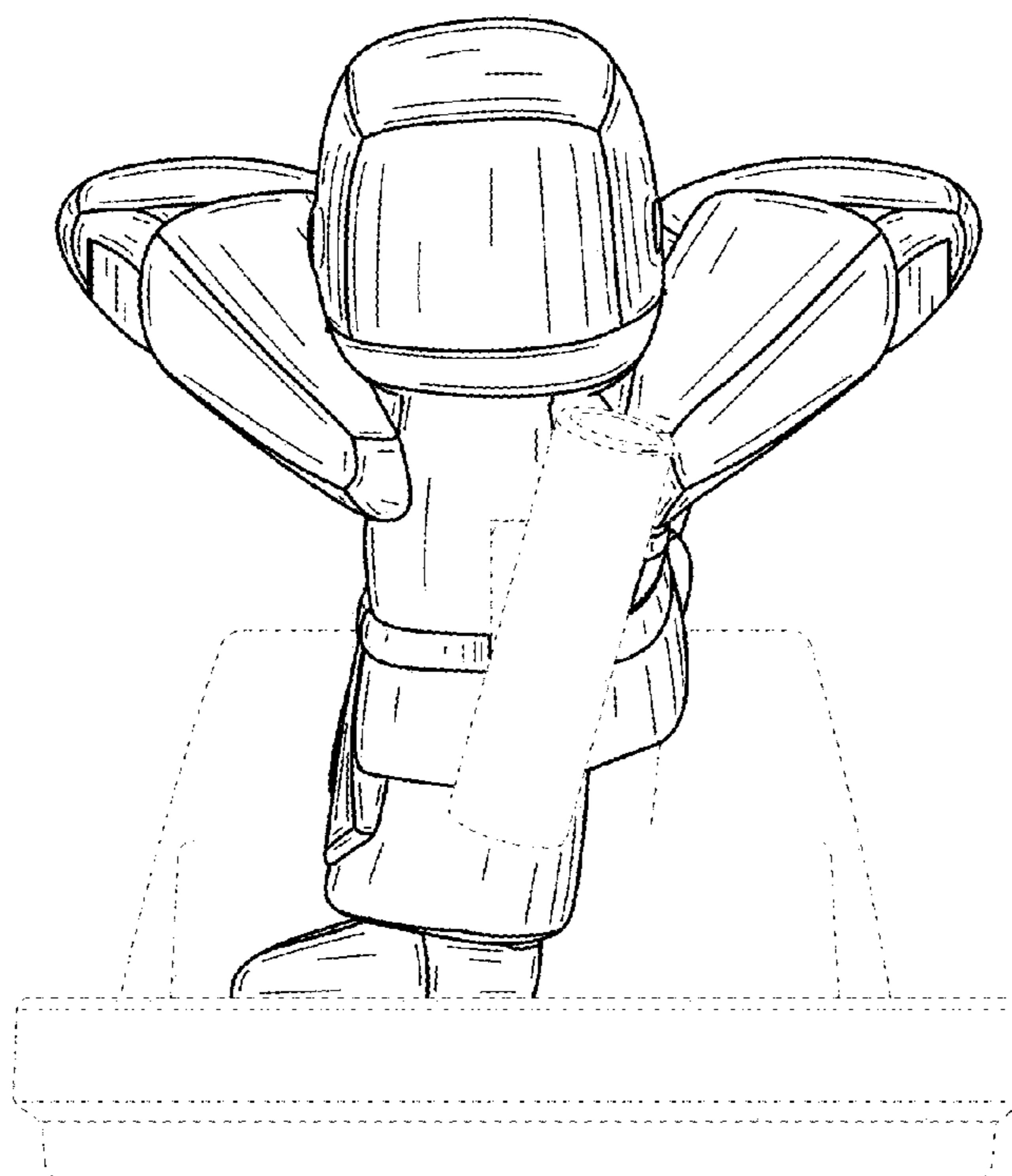


FIG. 5

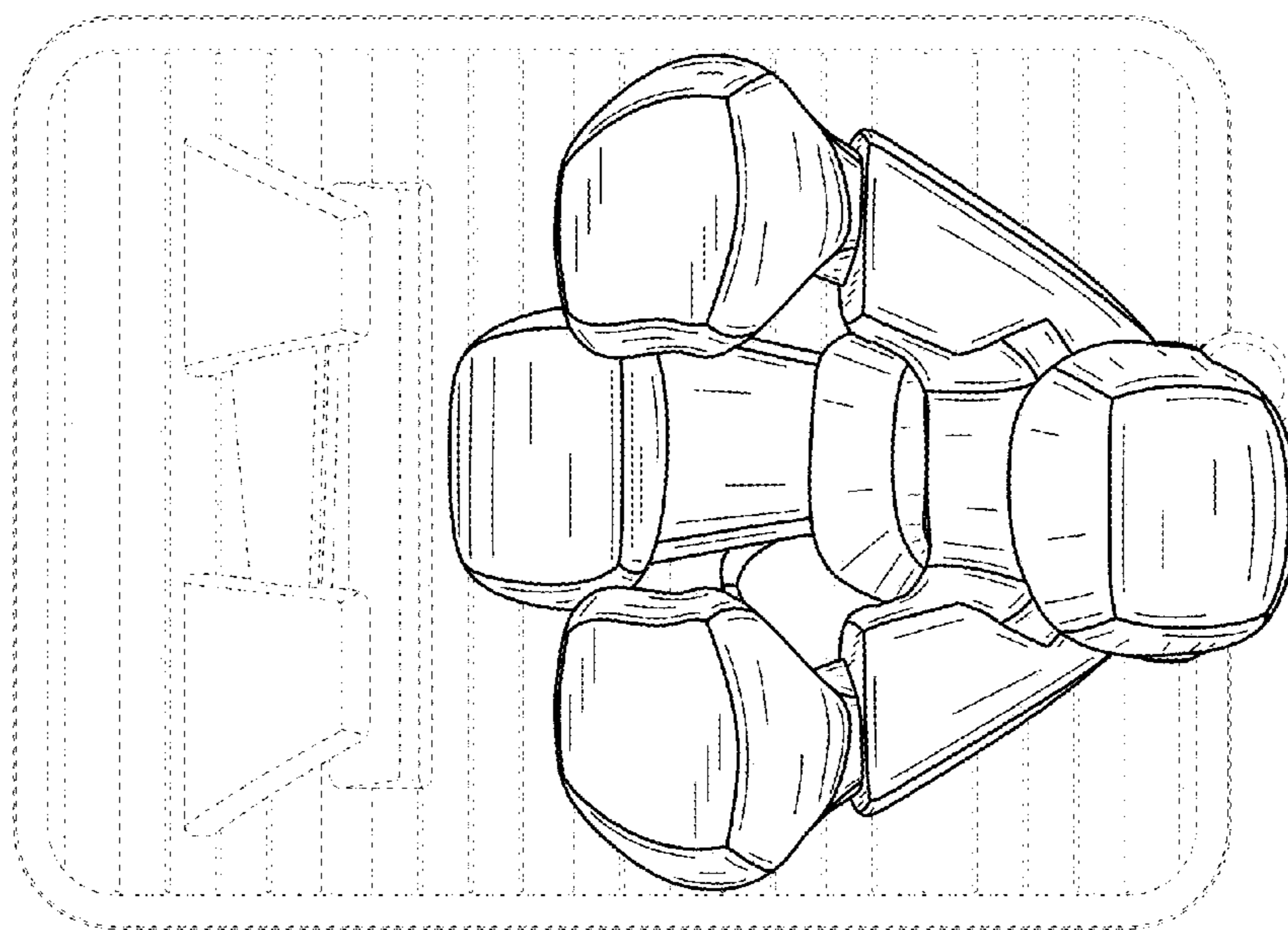


FIG. 6



FIG. 7

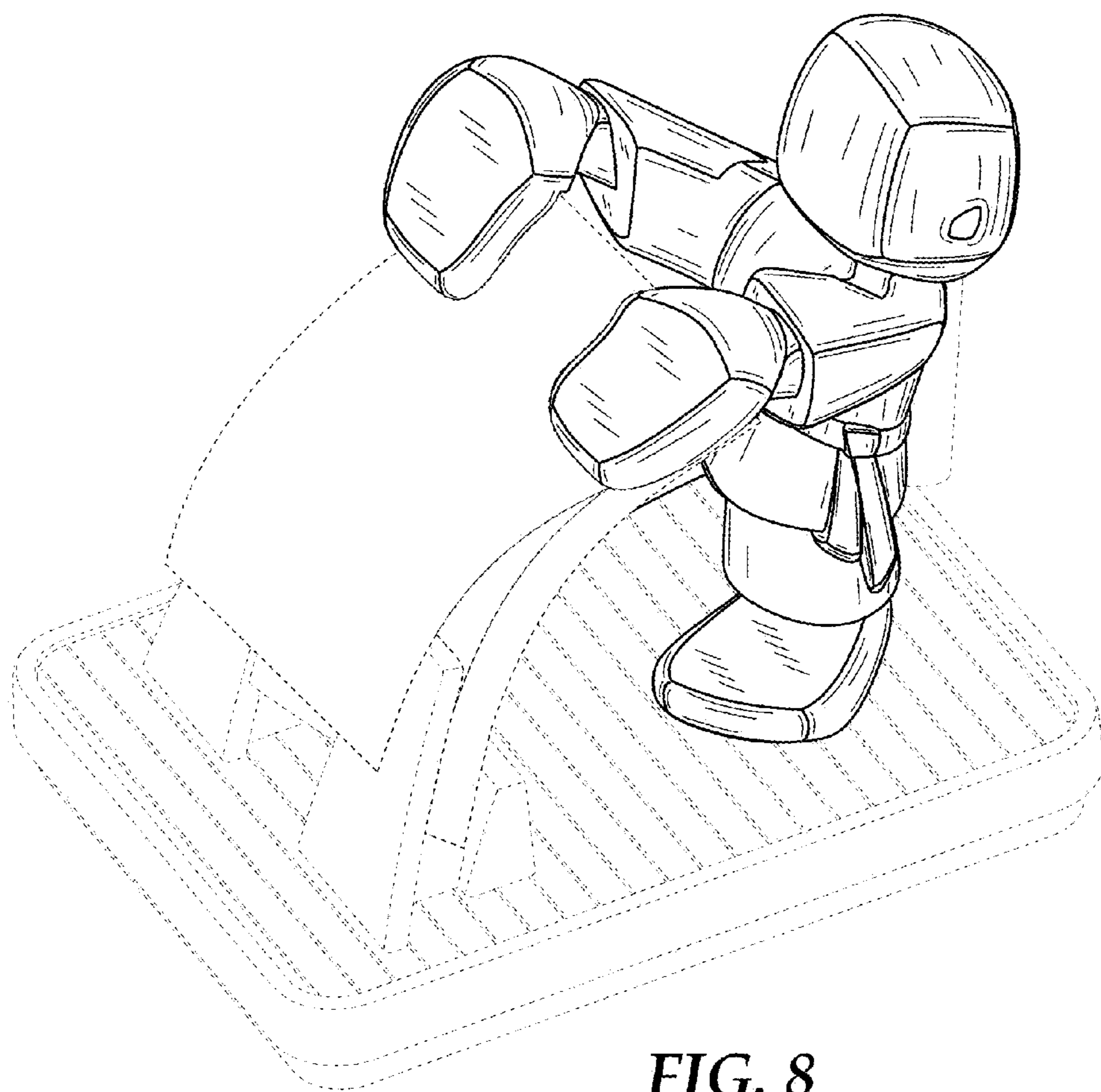


FIG. 8