



US00D689135S

(12) **United States Design Patent**
Clover et al.

(10) **Patent No.:** **US D689,135 S**

(45) **Date of Patent:** **** Sep. 3, 2013**

(54) **NOTE DISPENSER**

(75) Inventors: **Kristopher W. Clover**, Minnetonka, MN (US); **Monica Dalla Riva**, Milan (IT); **Valentina Tronconi**, Milan (IT); **Nicolas A. Echeverri**, Woodbury, MN (US); **Lorenzo Ruggieri**, Milan (IT)

(73) Assignee: **3M Innovative Properties Company**, St. Paul, MN (US)

(**) Term: **14 Years**

(21) Appl. No.: **29/408,864**

(22) Filed: **Dec. 16, 2011**

(51) **LOC (9) Cl.** **19-02**

(52) **U.S. Cl.**
USPC **D19/86**

(58) **Field of Classification Search**
USPC D3/201, 206, 247; D6/515, 517, D6/518; D9/414, 432; D19/75, 78, 86, 90-92; 206/37, 39, 39.5, 215, 233, 425; 221/282, 221/283, 284, 285
See application file for complete search history.

(56) **References Cited**

U.S. PATENT DOCUMENTS

3,121,510	A *	2/1964	Holzwarth et al.	221/60
D293,338	S *	12/1987	Evenson	D19/67
5,067,628	A *	11/1991	Evenson	221/52
D339,823	S *	9/1993	Evenson	D19/75
D342,759	S *	12/1993	Kirchhoff et al.	D19/86
D358,425	S *	5/1995	Kirchhoff et al.	D19/86
6,230,878	B1 *	5/2001	Lehr	206/37
7,055,686	B2 *	6/2006	De-Vries	206/233

D527,898	S *	9/2006	Tavone	D3/247
D566,190	S *	4/2008	Kent et al.	D19/86
D576,790	S *	9/2008	Swan	D3/218
D587,158	S *	2/2009	Trapani et al.	D11/78.1
7,575,115	B2 *	8/2009	De-Vries	206/233
D600,699	S *	9/2009	Johnston et al.	D14/440
D604,501	S *	11/2009	Lee	D3/201
7,721,913	B2 *	5/2010	Nash et al.	221/60
D628,796	S *	12/2010	Uzelac	D3/247
2005/0205435	A1 *	9/2005	Loy	206/37

* cited by examiner

Primary Examiner — Elizabeth Albert

(74) *Attorney, Agent, or Firm* — Robert H. Jordan; Irina Hass

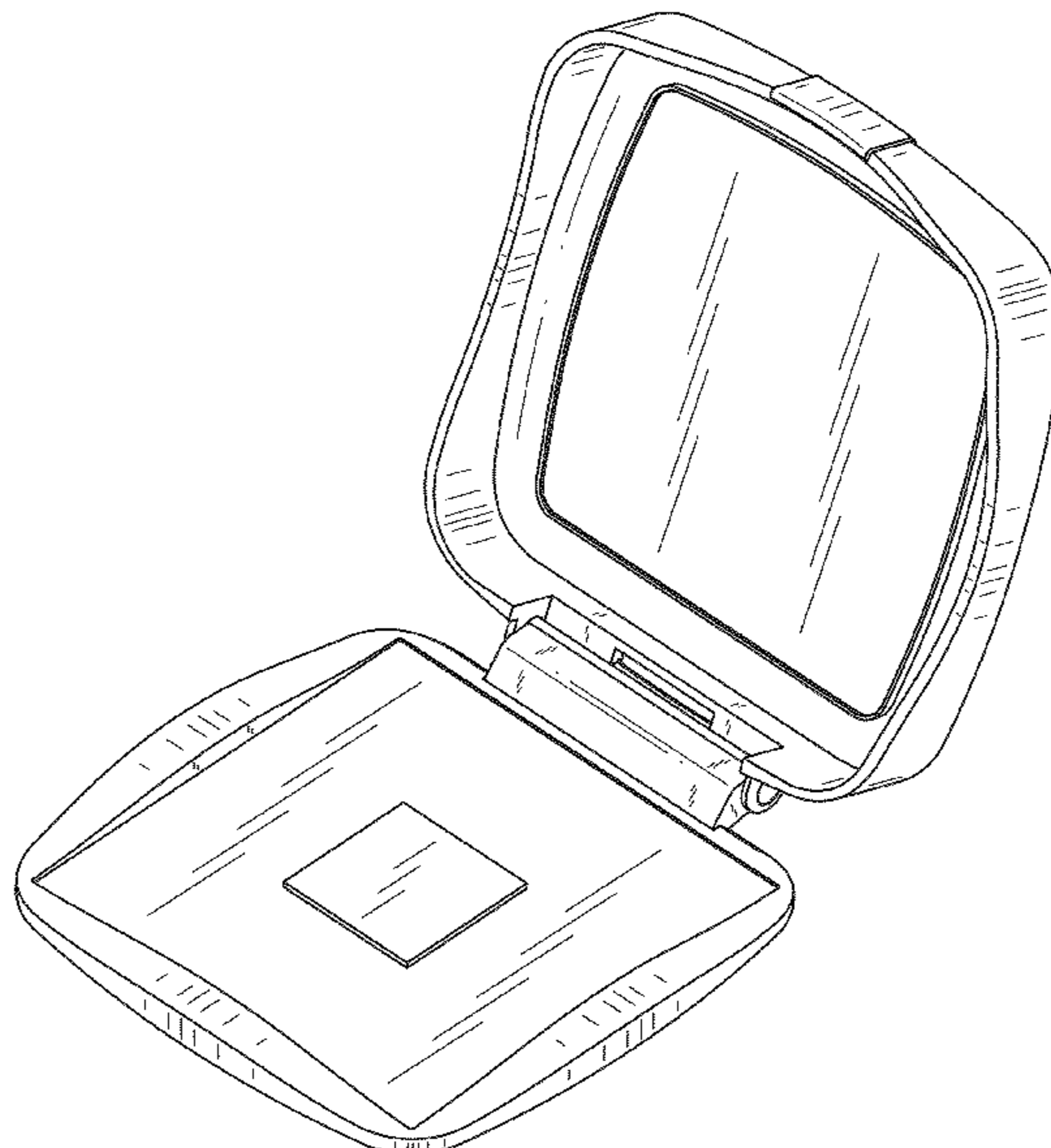
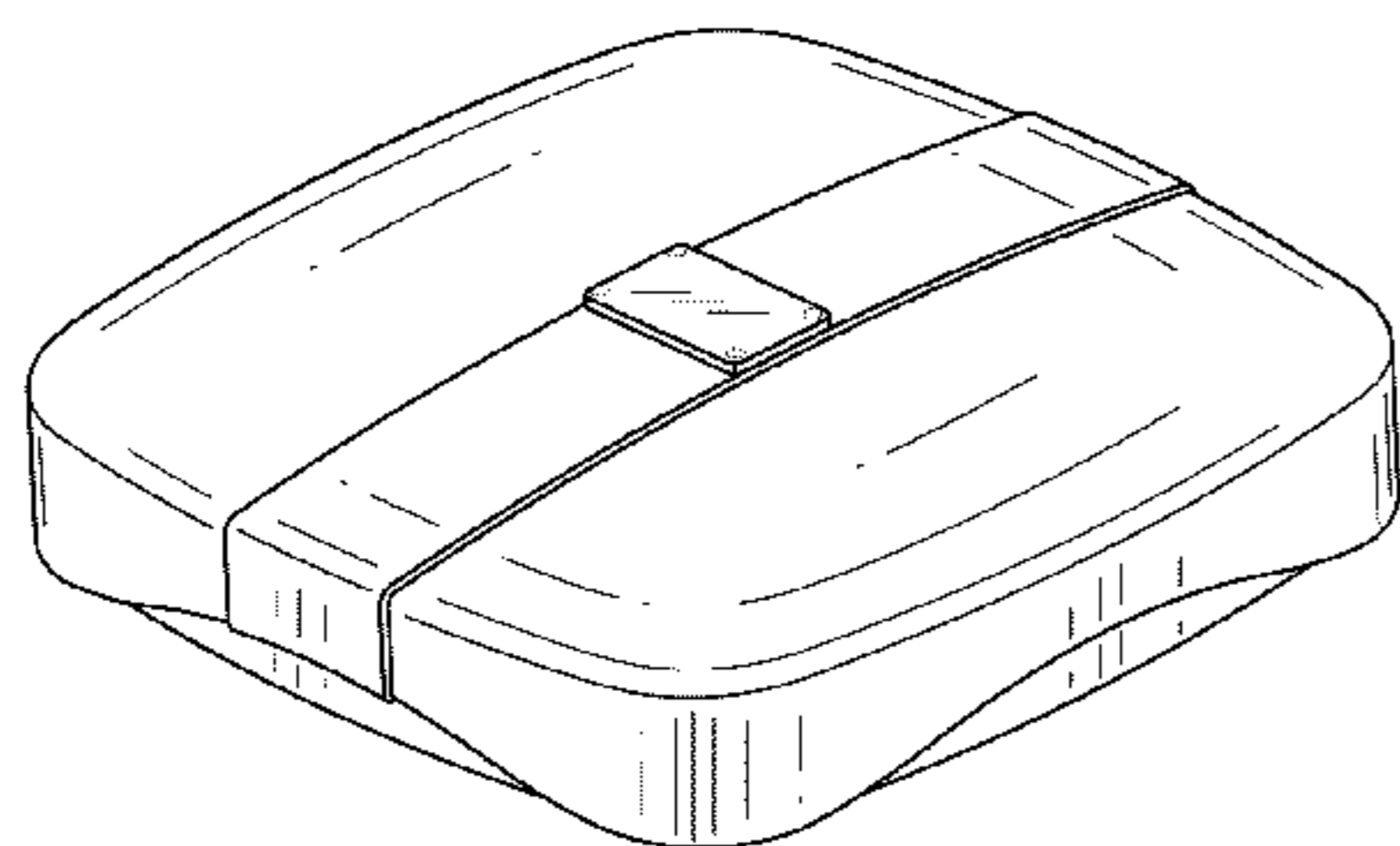
(57) **CLAIM**

The ornamental design for a note dispenser, as shown and described.

DESCRIPTION

FIG. 1 is a perspective view showing the new design for a note dispenser;
FIG. 2 is a top view thereof;
FIG. 3 is a front view thereof;
FIG. 4 is a bottom view thereof;
FIG. 5 is a back view thereof;
FIG. 6 is a side view thereof, the opposite side being a mirror image; and,
FIG. 7 is a perspective view thereof in an opened position.
The broken lines in FIGS. 1-3, and 5-6 are included for the purpose of showing portions of the note dispenser that form no part of the claimed design.

1 Claim, 3 Drawing Sheets



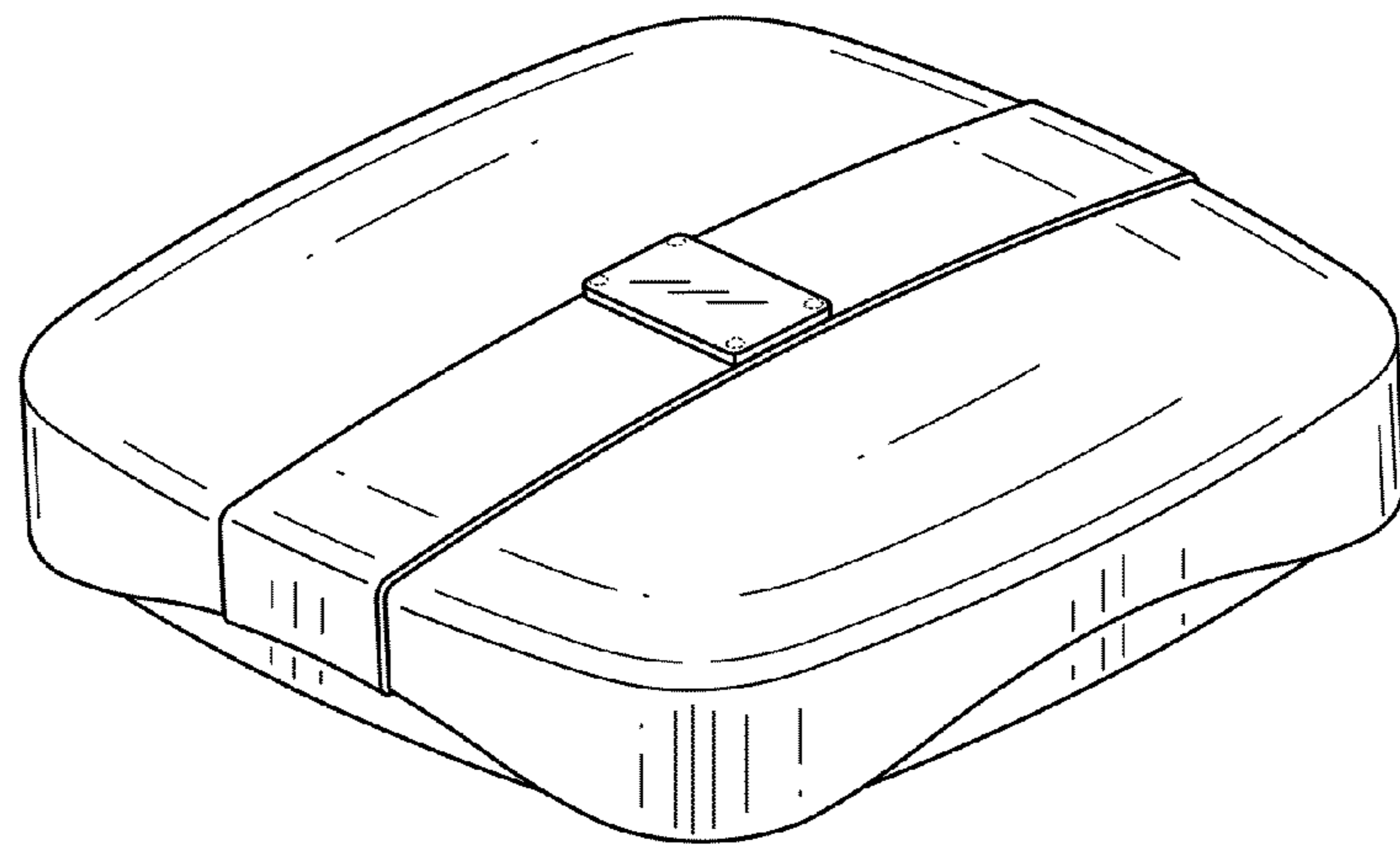


FIG. 1

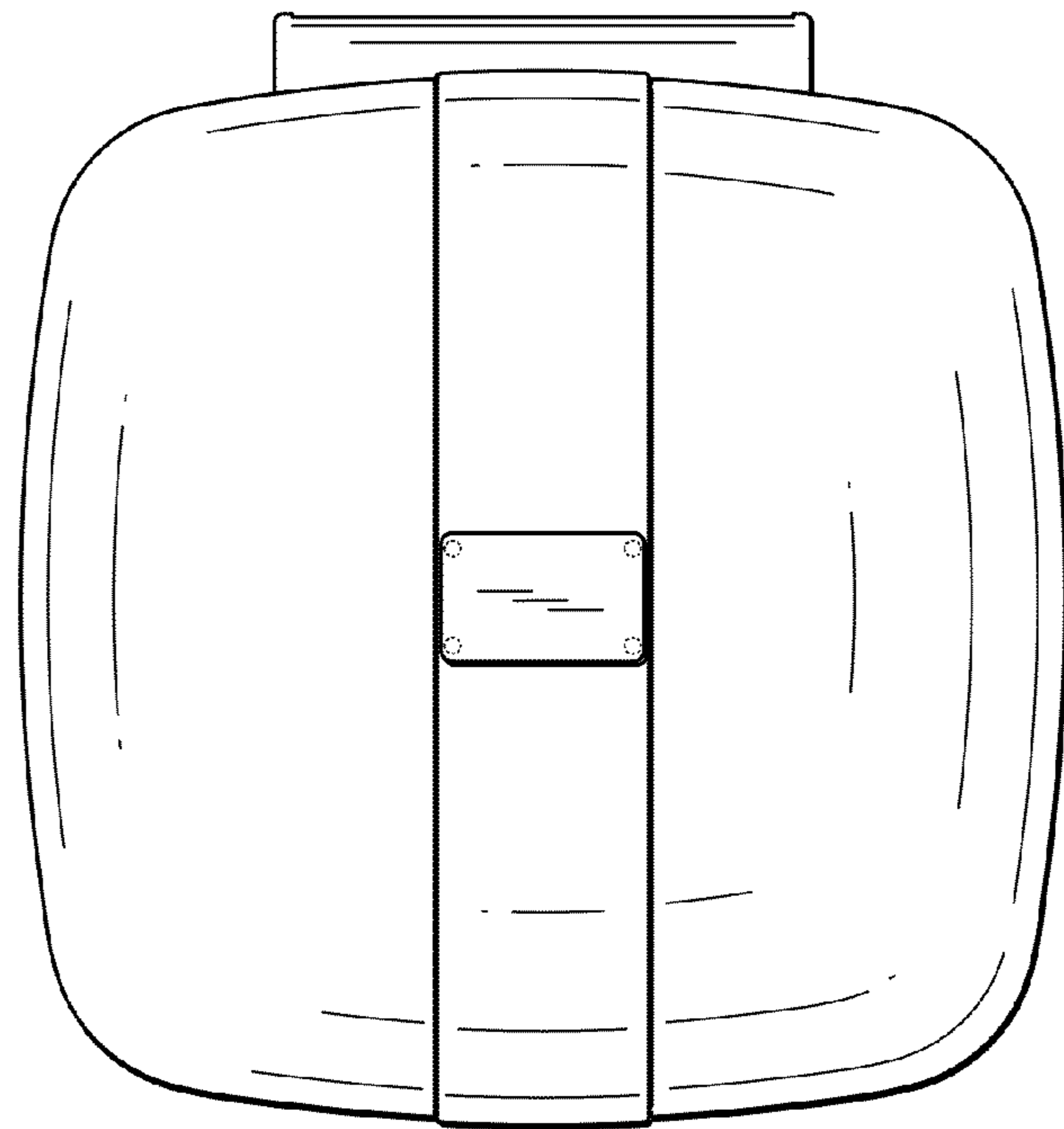


FIG. 2

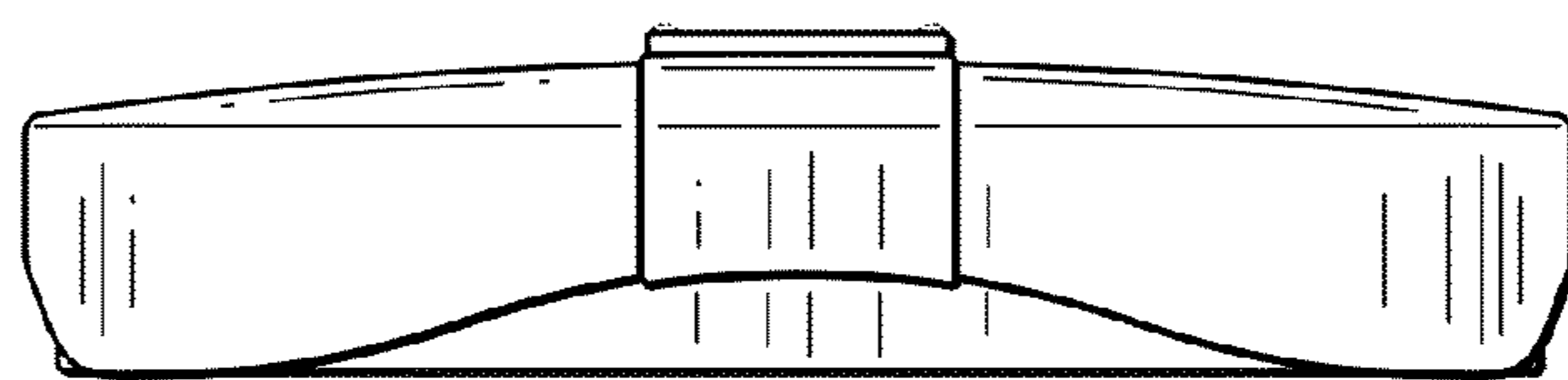


FIG. 3

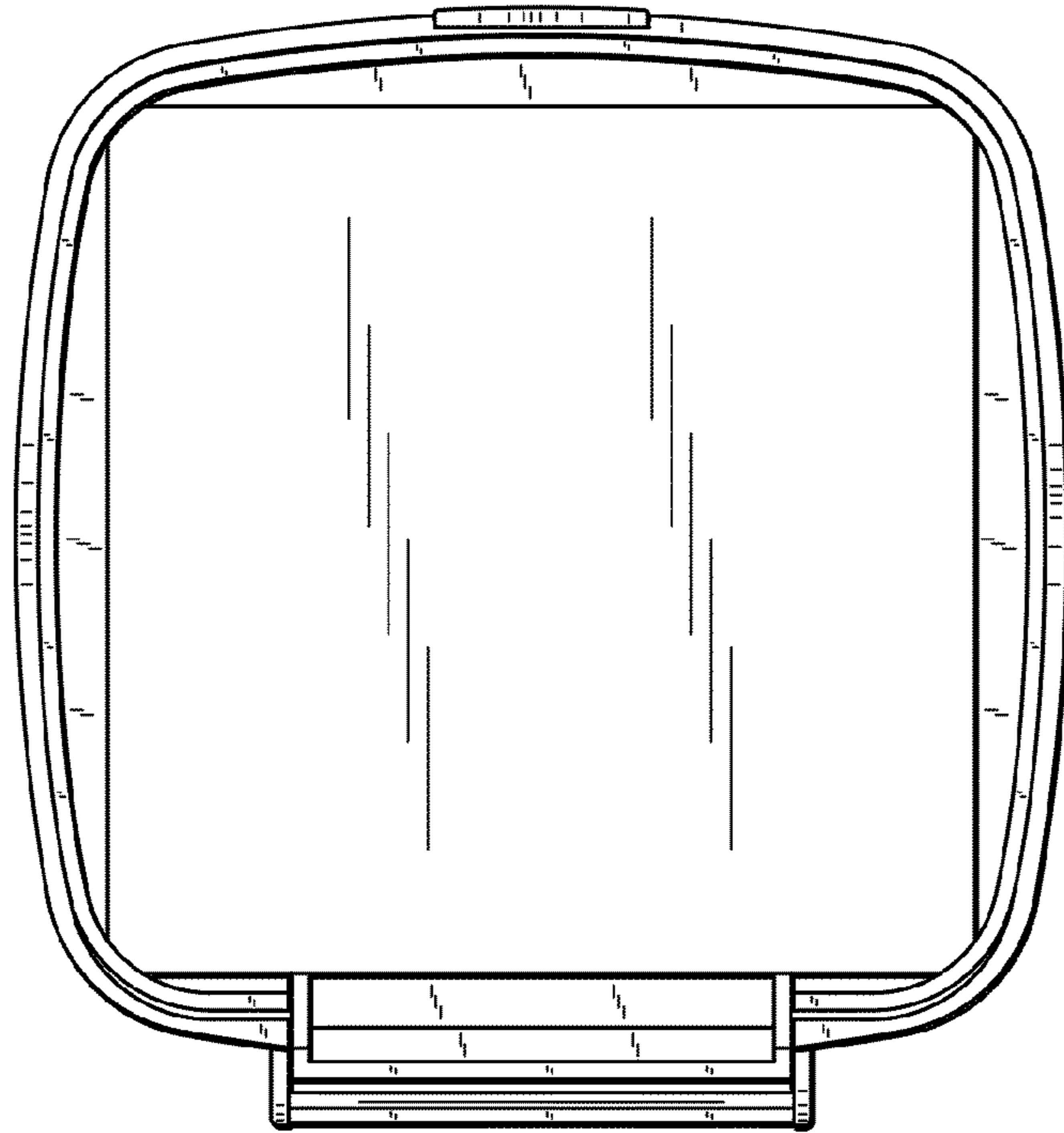


FIG. 4

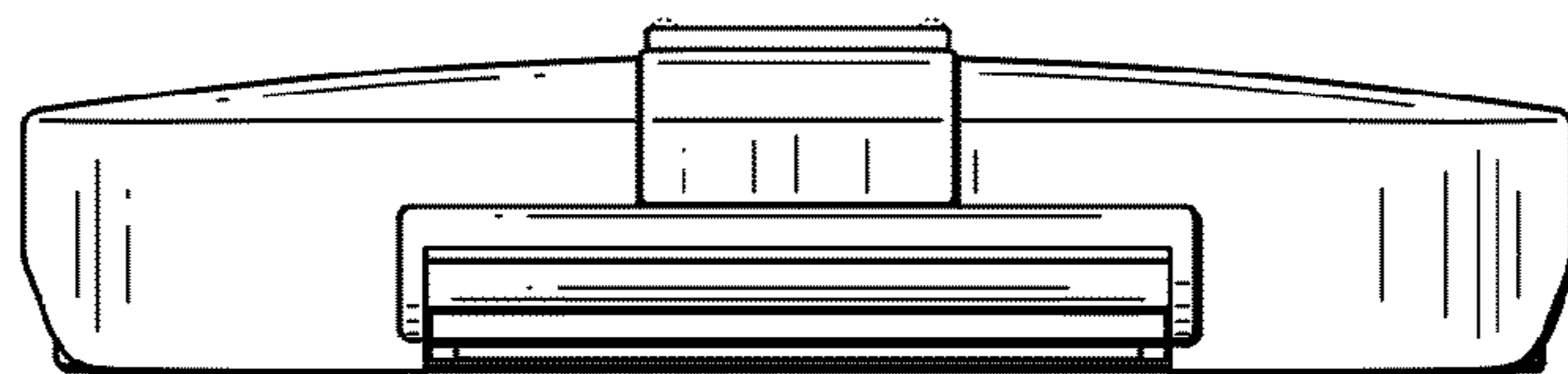


FIG. 5

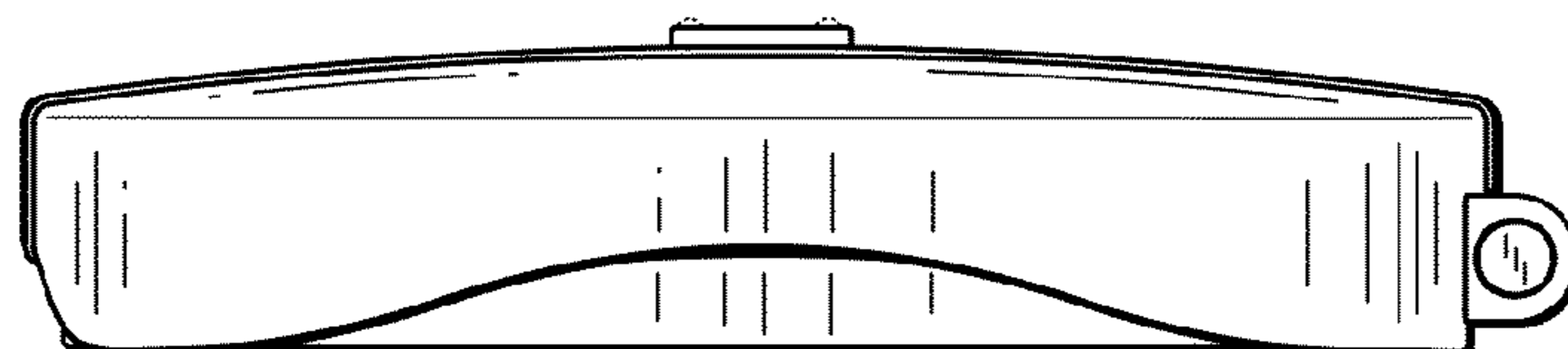


FIG. 6

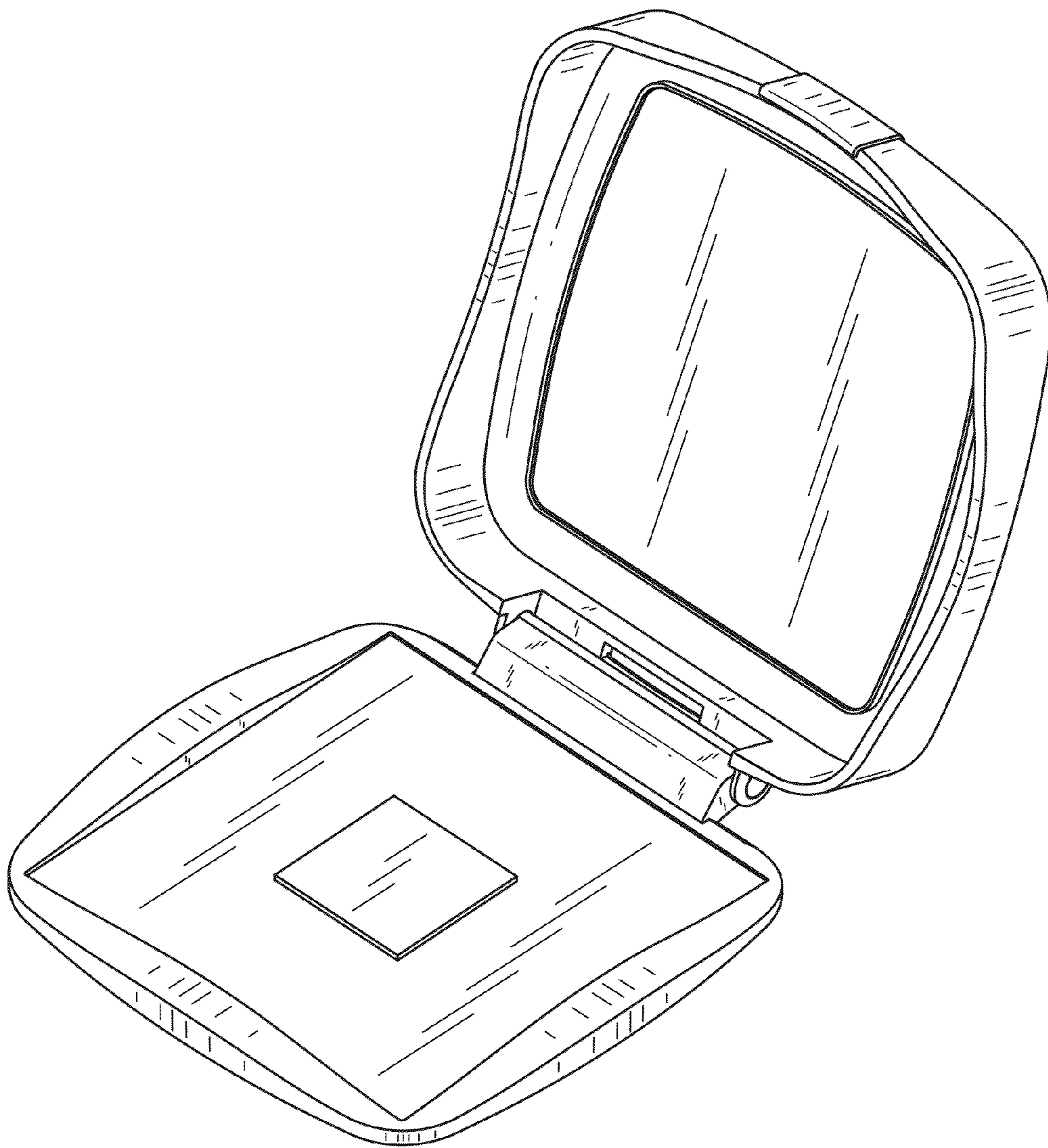


FIG. 7