



US00D689133S

(12) **United States Design Patent**
Lorenzen

(10) **Patent No.:** **US D689,133 S**

(45) **Date of Patent:** **** *Sep. 3, 2013**

(54) **FRANKING SYSTEM**

(75) Inventor: **Matthias Lorenzen**, Berlin (DE)

(73) Assignee: **Francotyp-Postalia GmbH**,
Birkenwerder (DE)

(*) Notice: This patent is subject to a terminal disclaimer.

(**) Term: **14 Years**

(21) Appl. No.: **29/405,876**

(22) Filed: **Nov. 8, 2011**

(30) **Foreign Application Priority Data**

Aug. 25, 2011 (EM) 001292361-0004

(51) **LOC (9) Cl.** **18-02**

(52) **U.S. Cl.**
USPC **D18/51; D18/35.1**

(58) **Field of Classification Search**
USPC D18/35.1, 51, 50, 55, 56, 99; 101/2,
101/5, 47, 49, 52, 53, 71, 91; 156/441.5,
156/442, 442.1-442.4; 209/601; 235/375;
270/1.01, 4, 18, 20.1, 1.02; 346/9-11, 76.1,
346/112; 705/401-411

See application file for complete search history.

(56) **References Cited**

U.S. PATENT DOCUMENTS

D501,025 S * 1/2005 Sugrue et al. D18/35.1
D505,448 S * 5/2005 Huebler D18/51
D505,449 S * 5/2005 Huebler D18/51
D506,777 S * 6/2005 Huebler D18/51

D509,241 S * 9/2005 Huebler D18/51
D526,008 S * 8/2006 Friedrich et al. D18/51
D527,046 S * 8/2006 Friedrich et al. D18/51
7,094,143 B2 * 8/2006 Wolm 454/254
D528,152 S * 9/2006 Friedrich et al. D18/51
7,343,359 B2 * 3/2008 Fearis et al. 705/407
D602,075 S * 10/2009 Sugrue et al. D18/51
2006/0011303 A1 * 1/2006 Ludtke 156/441.5
2010/0153309 A1 * 6/2010 Asano et al. 705/407

* cited by examiner

Primary Examiner — Bridget L Eland

(74) *Attorney, Agent, or Firm* — Laurence A. Greenberg;
Werner H. Stemer; Ralph E. Locher

(57) **CLAIM**

The ornamental design for a franking system, as shown and described.

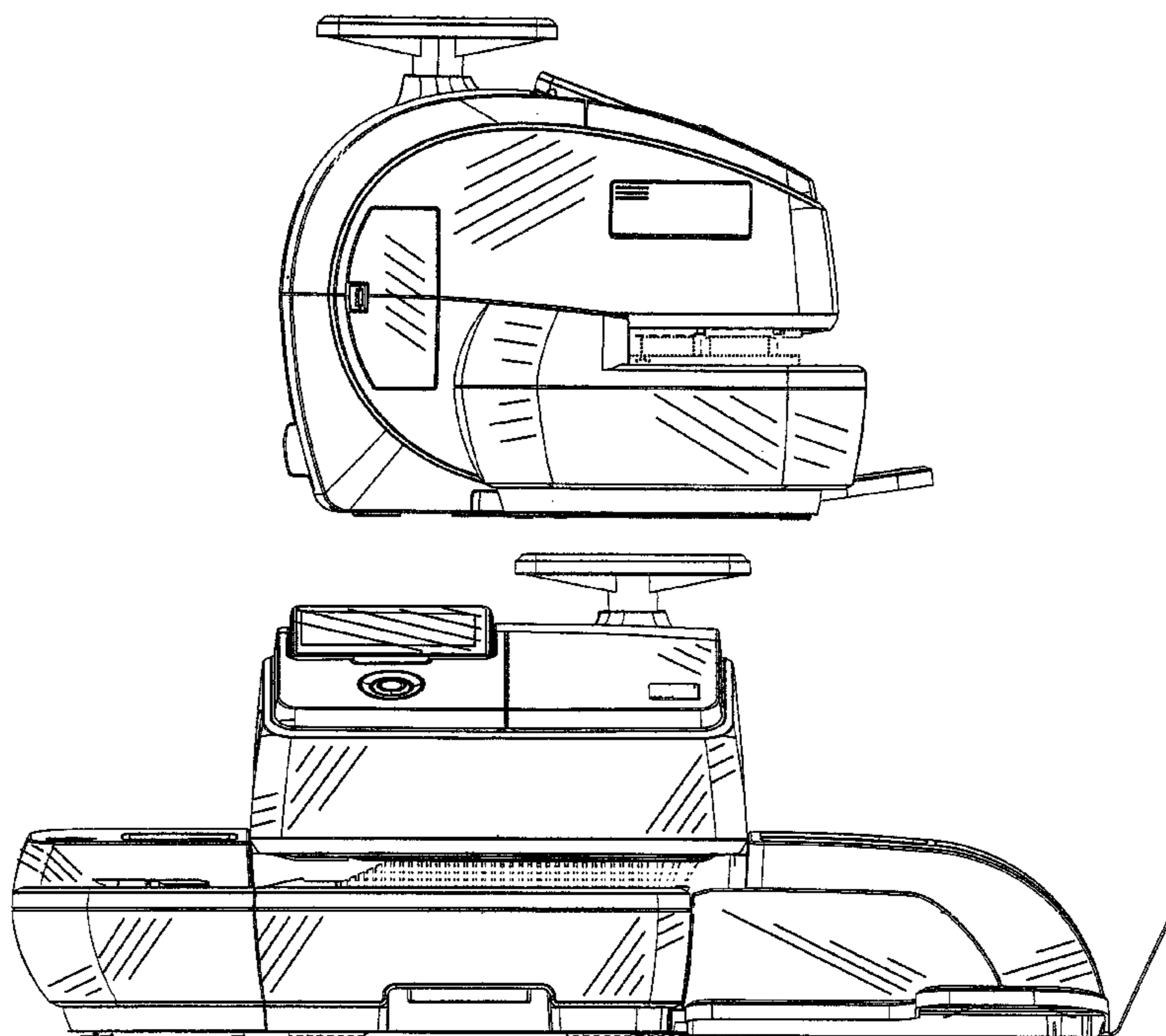
DESCRIPTION

FIG. 1 is a top perspective view of a franking system showing my new design;
FIG. 2 is a top plan view thereof;
FIG. 3 is a right side elevation view thereof;
FIG. 4 is a left side elevation view thereof;
FIG. 5 is a front elevation view thereof; and,
FIG. 6 is a rear elevation view thereof.

The broken line showing is directed to environment and is for illustrative purposes only; the broken lines form no part of the claimed design.

The wire frame lines shown throughout the views are intended to indicate surface contour and are not intended to be surface ornamentation.

1 Claim, 5 Drawing Sheets



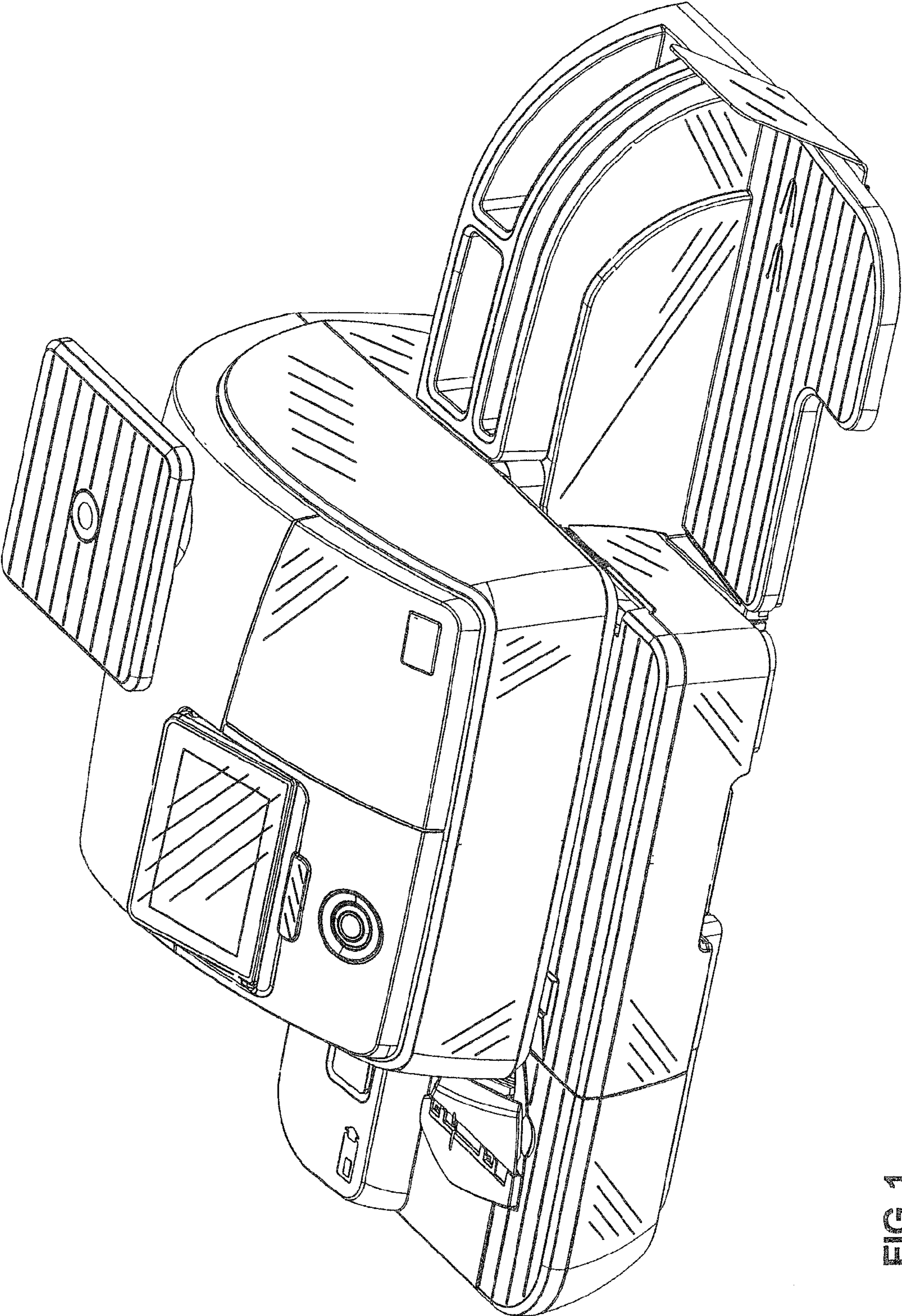


FIG. 1

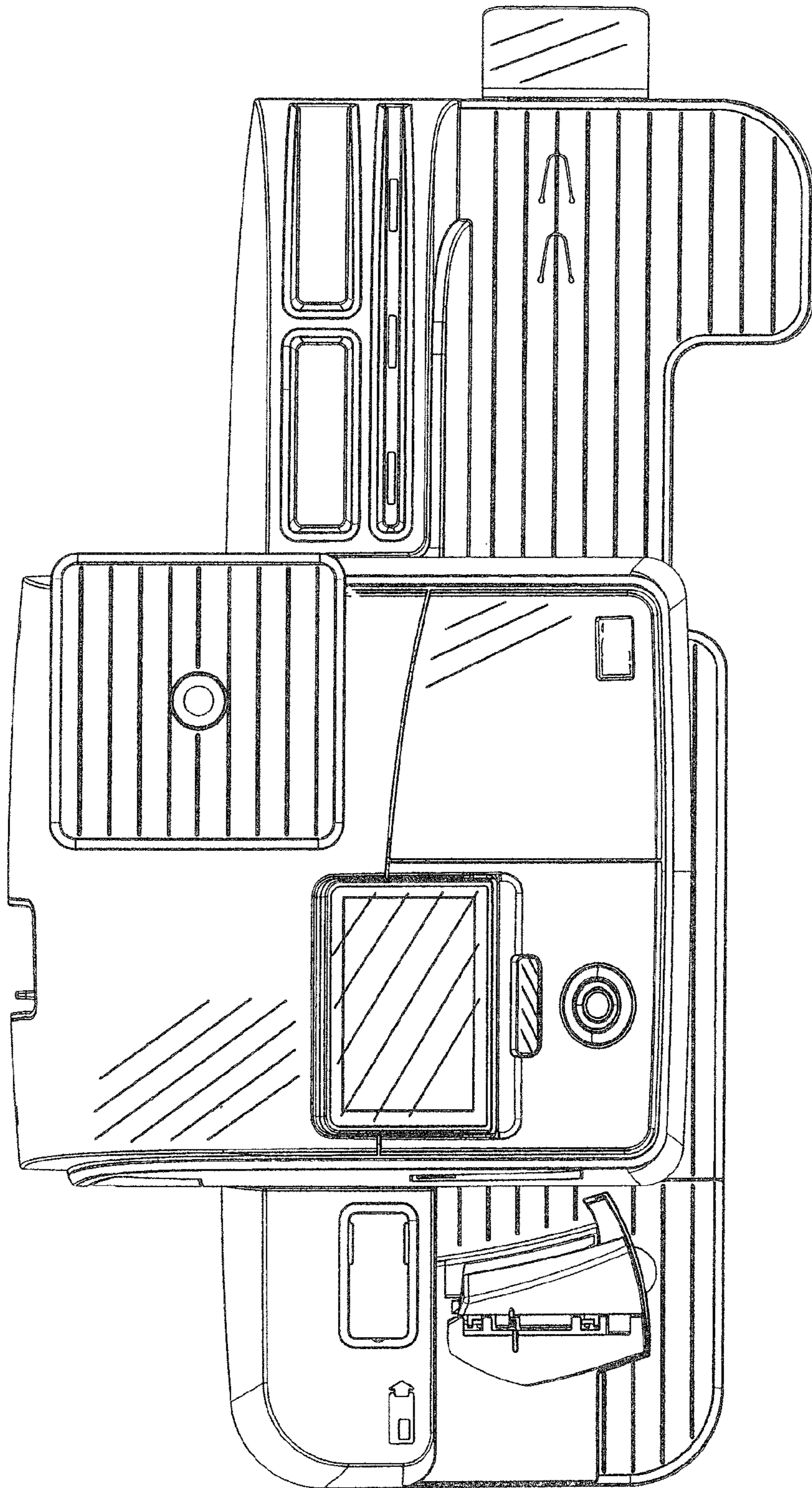


FIG. 2

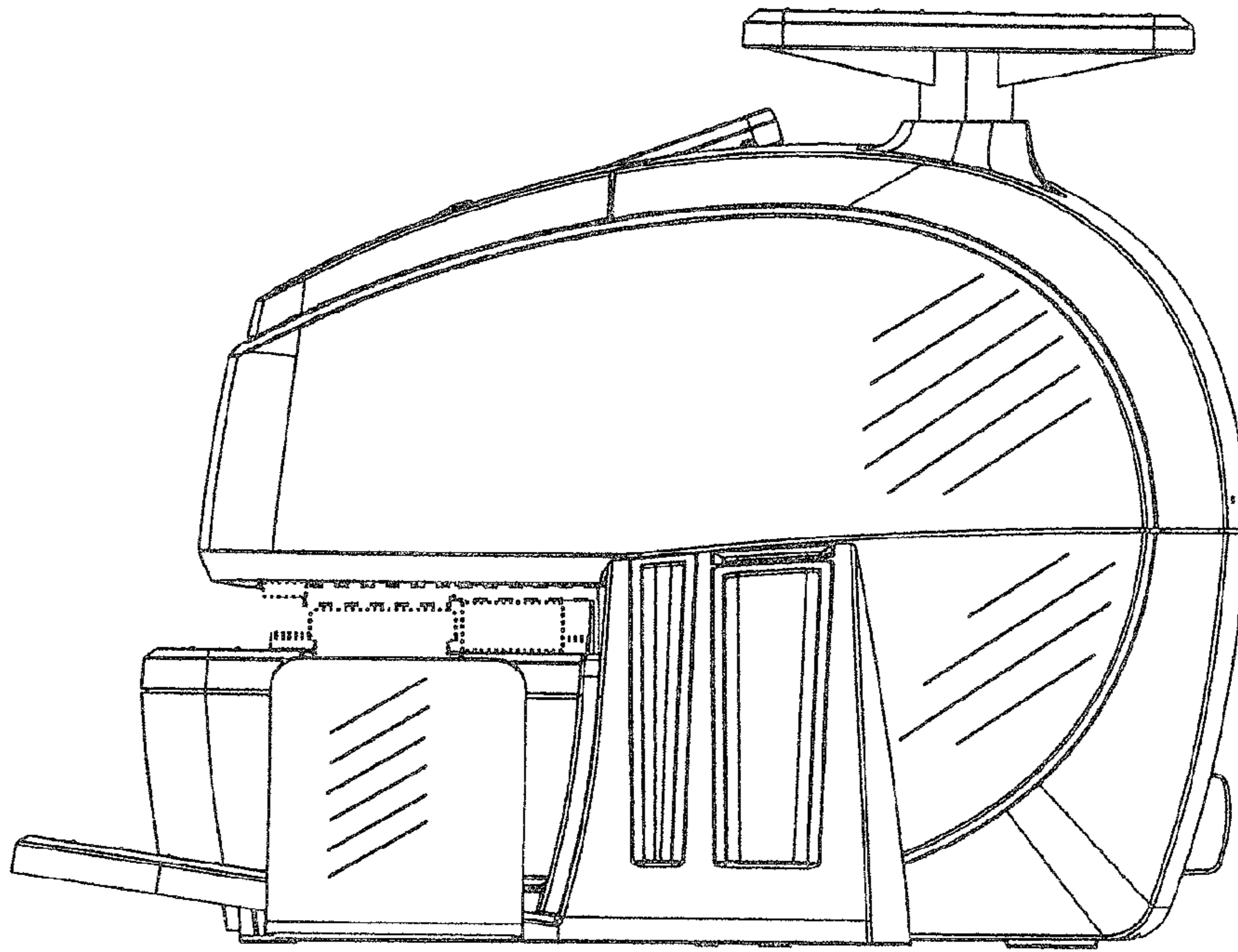


FIG. 3

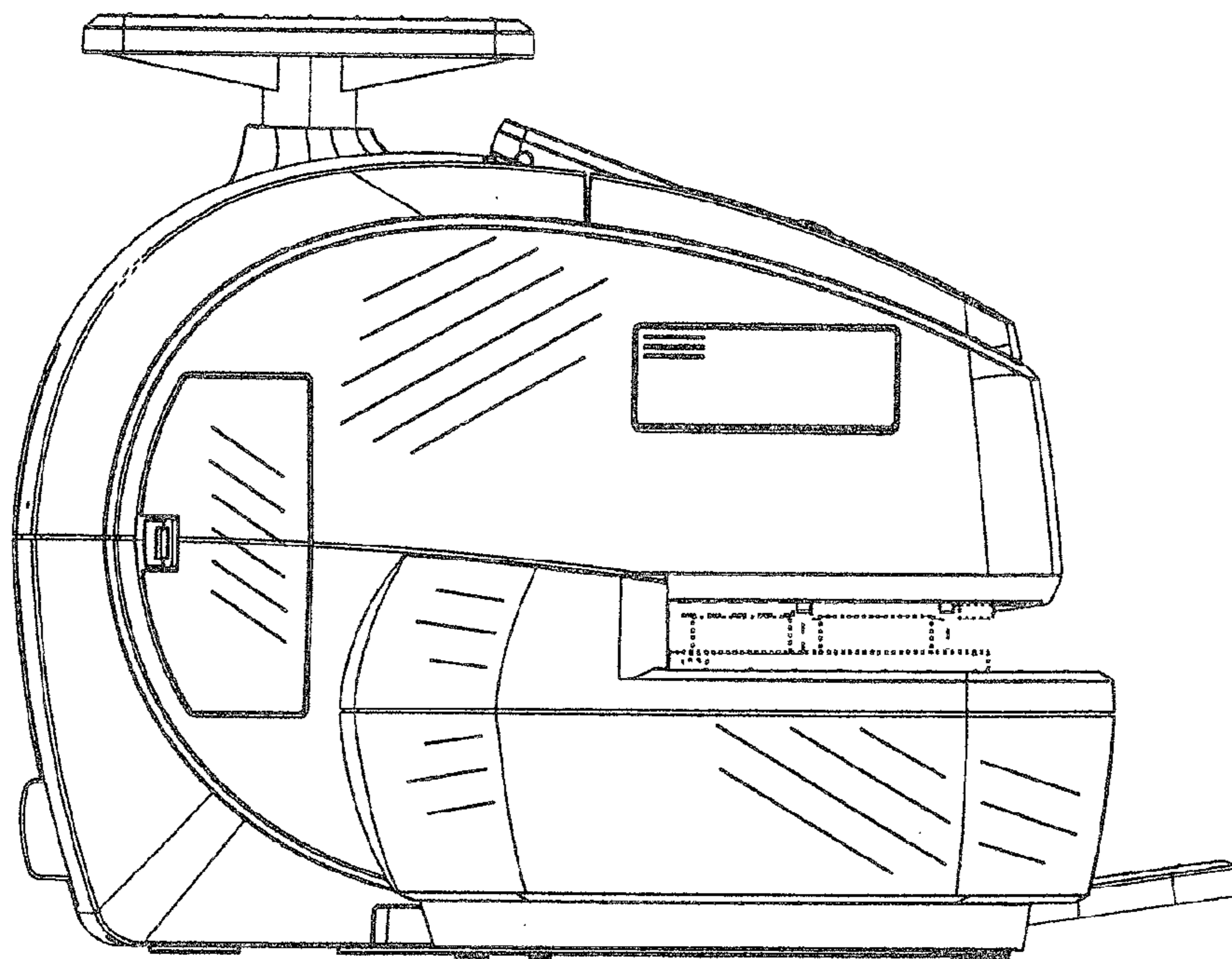


FIG. 4

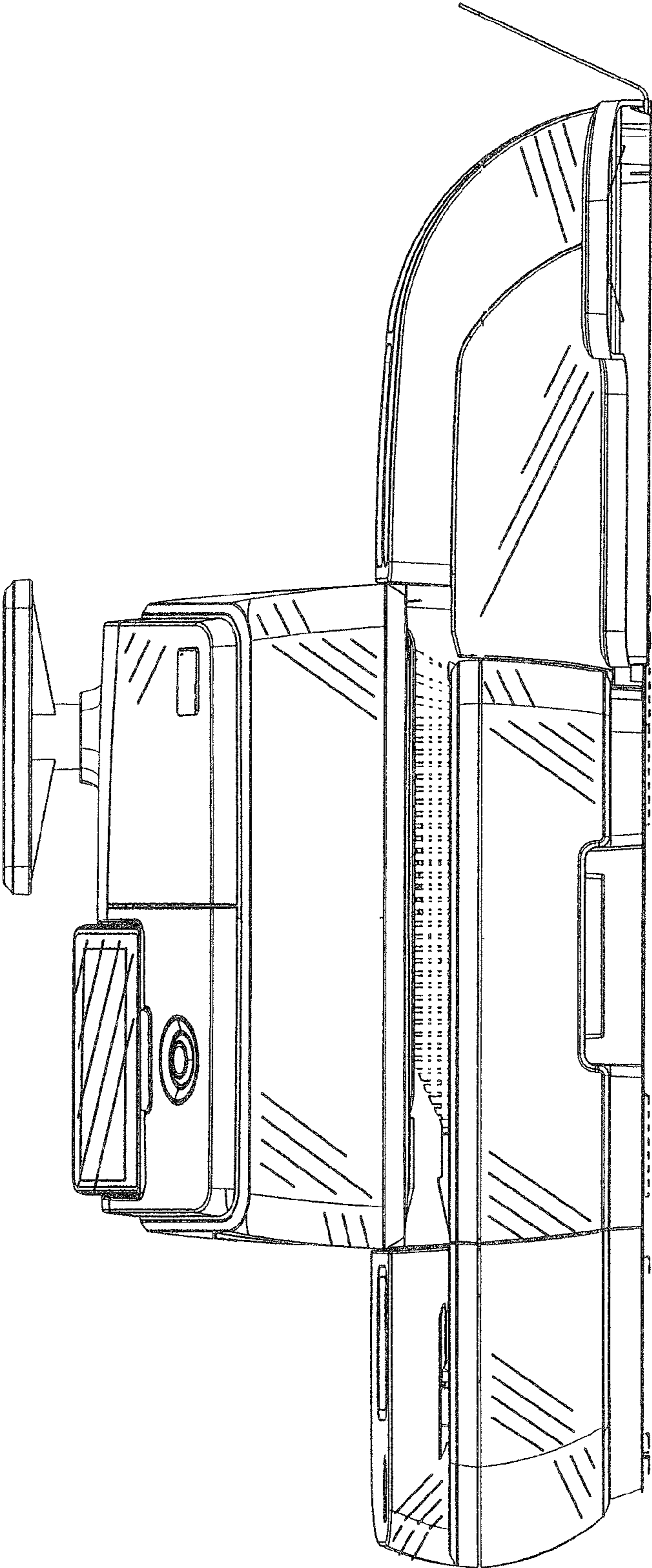


FIG. 5

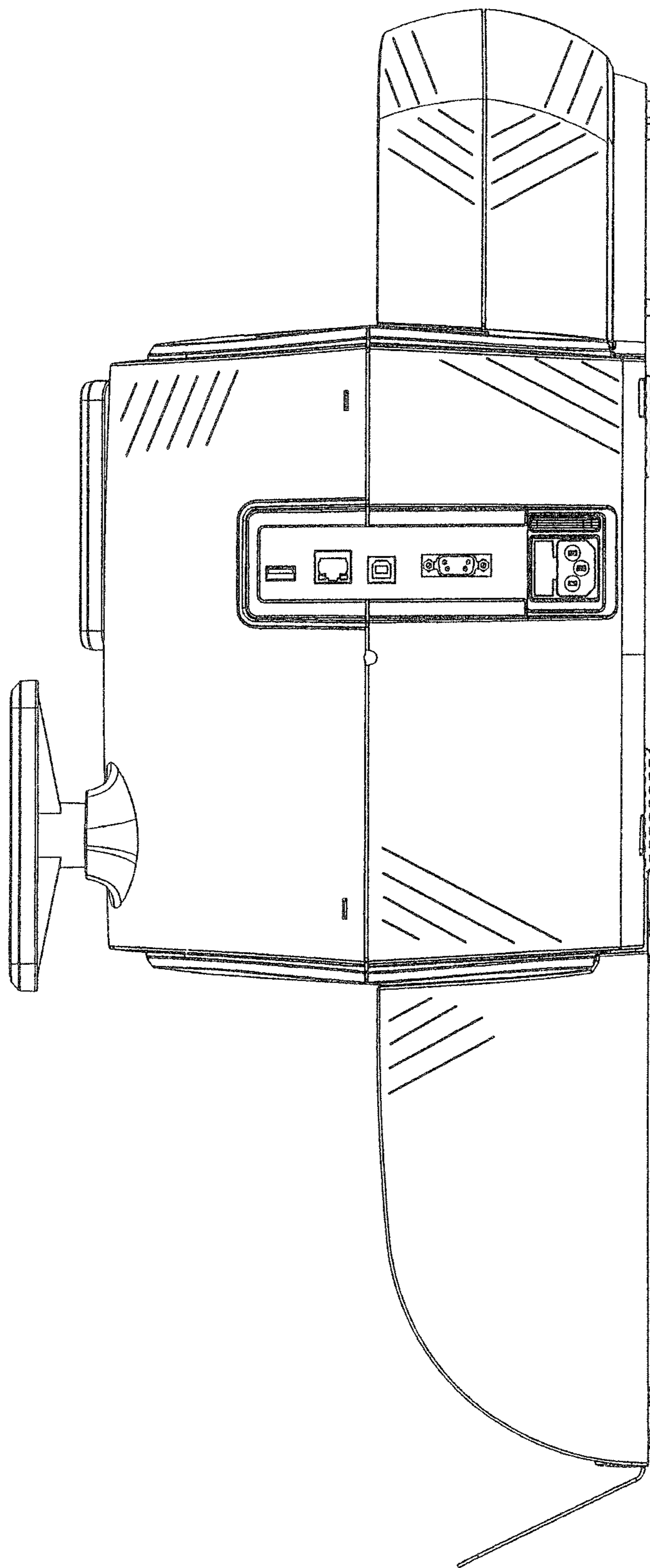


FIG. 6