



US00D689132S

(12) **United States Design Patent**  
**Lorenzen**

(10) **Patent No.:** **US D689,132 S**

(45) **Date of Patent:** **\*\* Sep. 3, 2013**

(54) **FRANKING SYSTEM**

(75) Inventor: **Matthias Lorenzen**, Berlin (DE)

(73) Assignee: **Francotyp-Postalia GmbH**,  
Birkenwerder (DE)

(\*\*) Term: **14 Years**

(21) Appl. No.: **29/405,875**

(22) Filed: **Nov. 8, 2011**

(30) **Foreign Application Priority Data**

Aug. 25, 2011 (EP) ..... 001292361-0003

(51) **LOC (9) Cl.** ..... **18-02**

(52) **U.S. Cl.**  
USPC ..... **D18/51; D18/35.1**

(58) **Field of Classification Search**  
USPC ..... D18/35.1, 51, 50, 55, 56, 99; 101/2,  
101/5, 47, 49, 52, 53, 71, 91; 156/441.5,  
156/442, 442.1-442.4; 209/601; 235/375;  
270/1.01, 4, 18, 20.1, 1.02; 346/9-11, 76.1,  
346/112; 705/401-411  
See application file for complete search history.

(56) **References Cited**

**U.S. PATENT DOCUMENTS**

D501,025 S *	1/2005	Sugrue et al.	.....	D18/35.1
D505,448 S *	5/2005	Huebler	.....	D18/51
D505,449 S *	5/2005	Huebler	.....	D18/51
D506,777 S *	6/2005	Huebler	.....	D18/51
D507,594 S *	7/2005	Sugrue et al.	.....	D18/35.1

D509,241 S *	9/2005	Huebler	.....	D18/51
D526,008 S *	8/2006	Friedrich et al.	.....	D18/51
7,094,143 B2 *	8/2006	Wolm	.....	454/254
D528,152 S *	9/2006	Friedrich et al.	.....	D18/51
7,343,359 B2 *	3/2008	Fearis et al.	.....	705/407
D602,075 S *	10/2009	Sugrue et al.	.....	D18/51
2006/0011303 A1 *	1/2006	Ludtke	.....	156/441.5
2010/0153309 A1 *	6/2010	Asano et al.	.....	705/407

\* cited by examiner

*Primary Examiner* — Bridget L Eland

(74) *Attorney, Agent, or Firm* — Laurence A. Greenberg;  
Werner H. Stemer; Ralph E. Locher

(57) **CLAIM**

The ornamental design for a franking system, as shown and described.

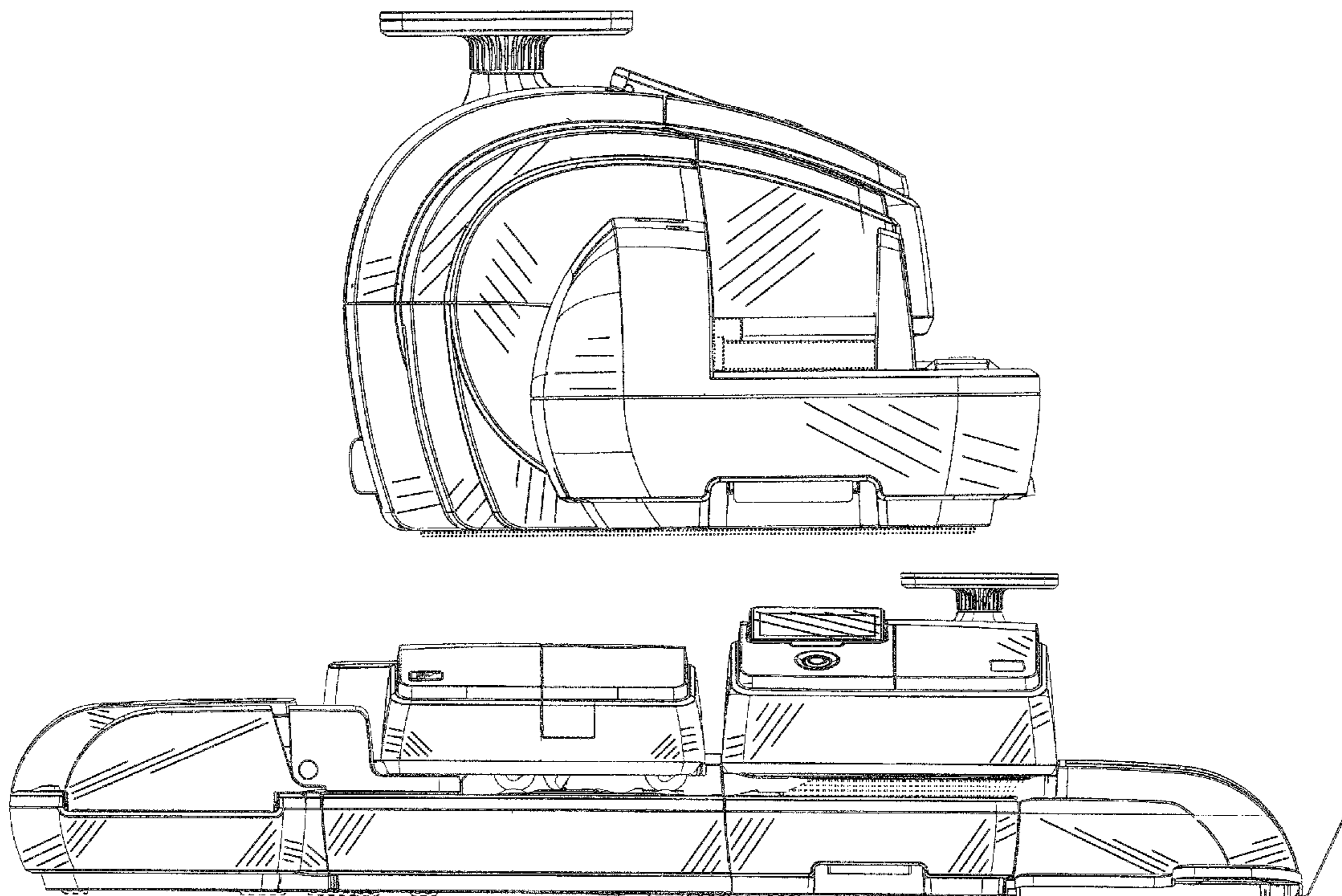
**DESCRIPTION**

FIG. 1 is a top perspective view of a franking system showing my new design;  
FIG. 2 is a top plan view thereof;  
FIG. 3 is a right side elevation view thereof;  
FIG. 4 is a left side elevation view thereof;  
FIG. 5 is a front elevation view thereof; and,  
FIG. 6 is a rear elevation view thereof.

The broken line showing is directed to environment and is for illustrative purposes only; the broken lines form no part of the claimed design.

The wire frame lines shown throughout the views are intended to indicate surface contour and are not intended to be surface ornamentation.

**1 Claim, 5 Drawing Sheets**



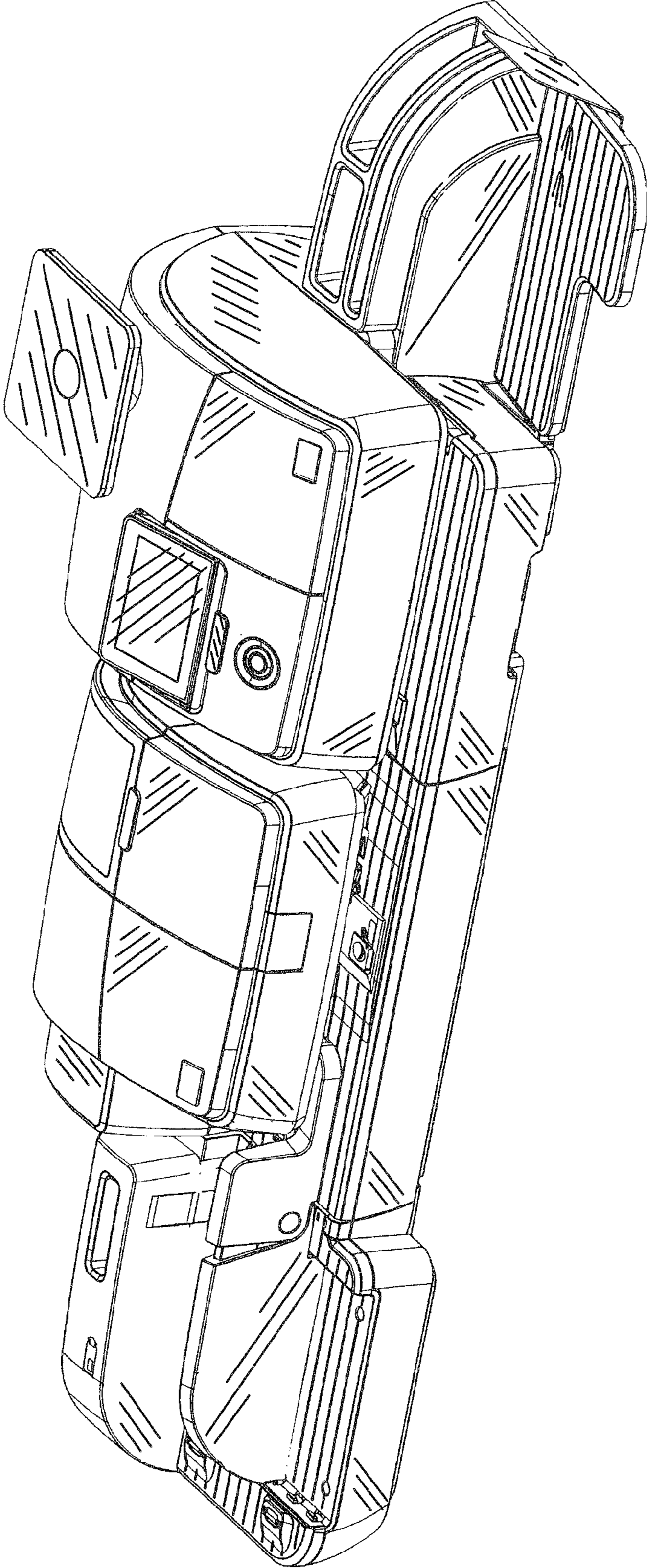


FIG. 1



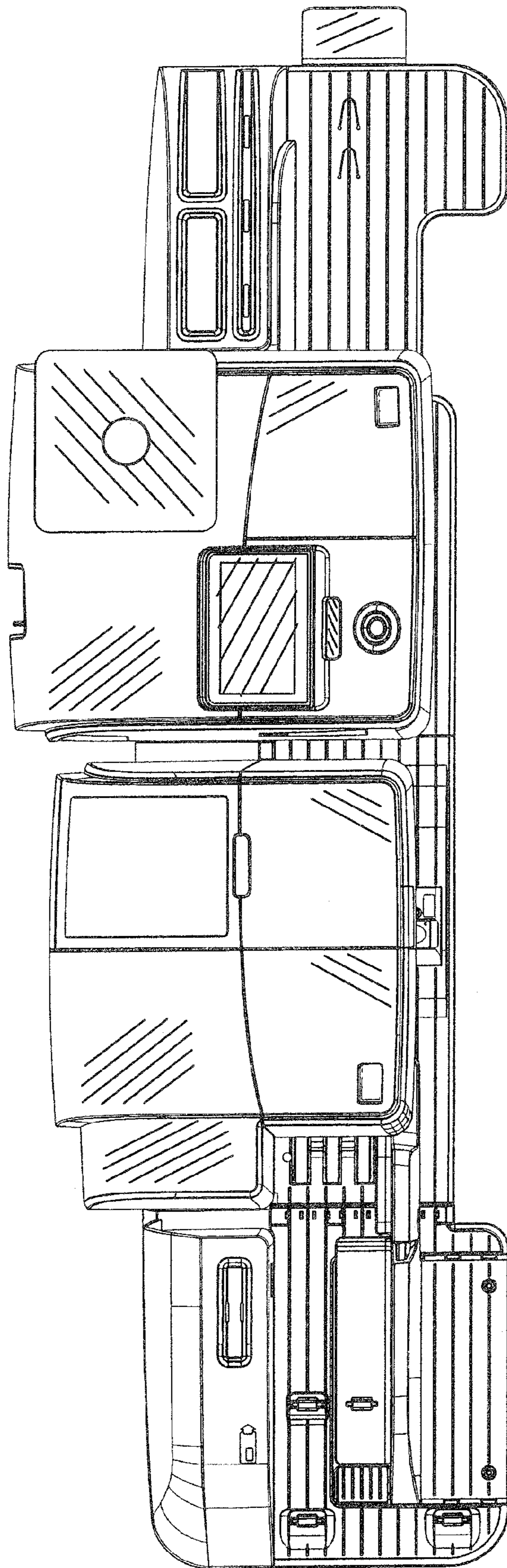


FIG. 2

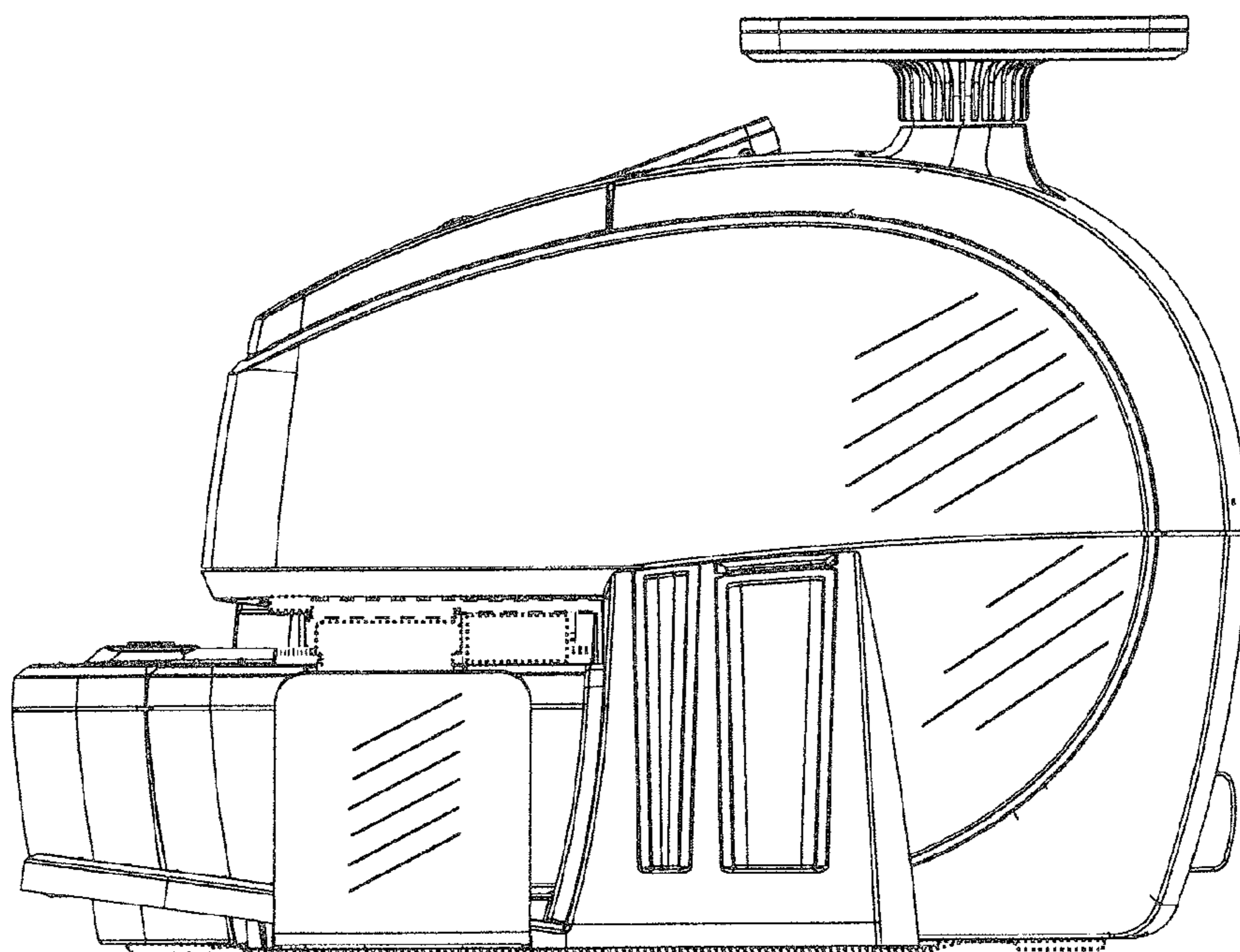


FIG. 3

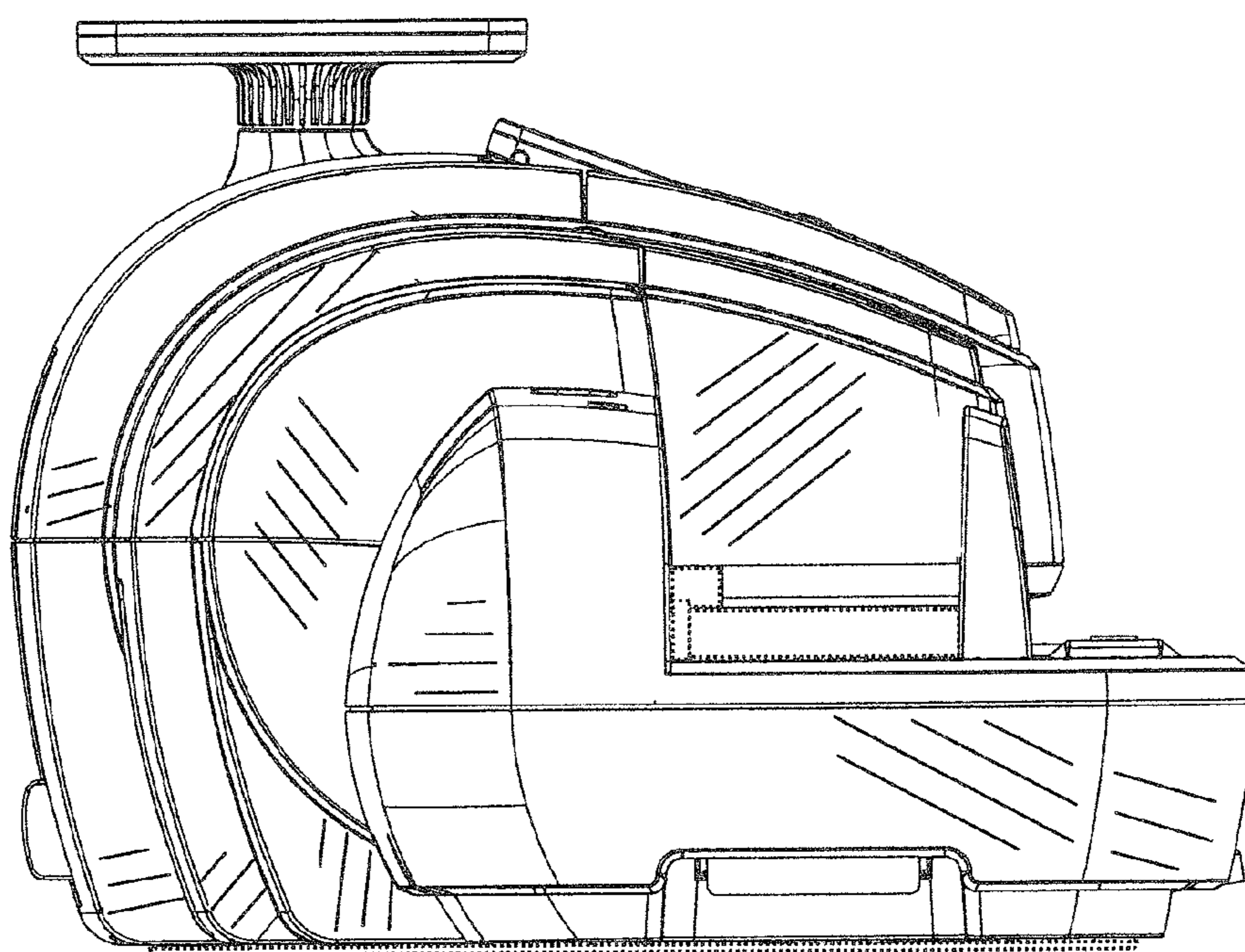


FIG. 4

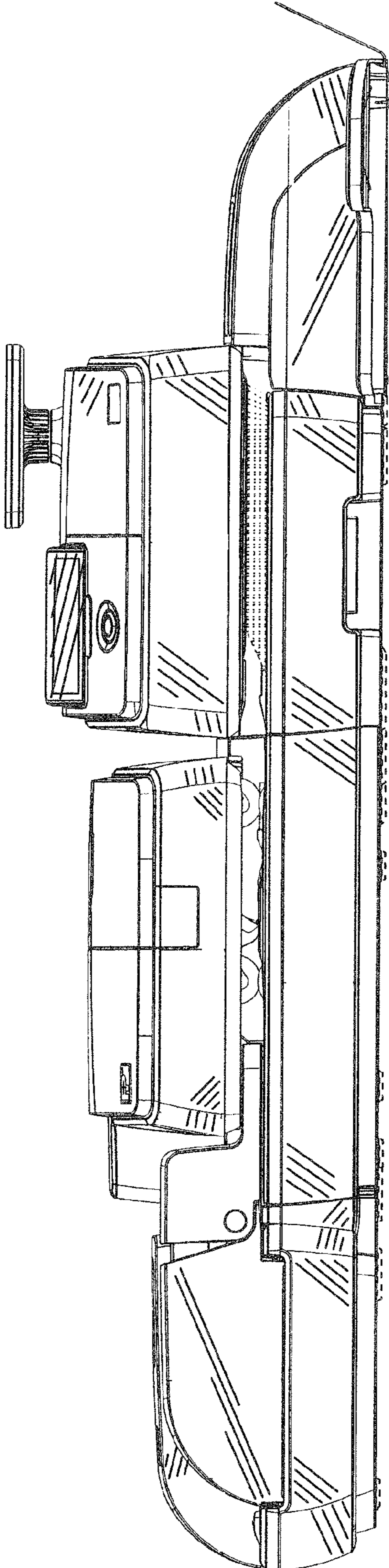


FIG. 5



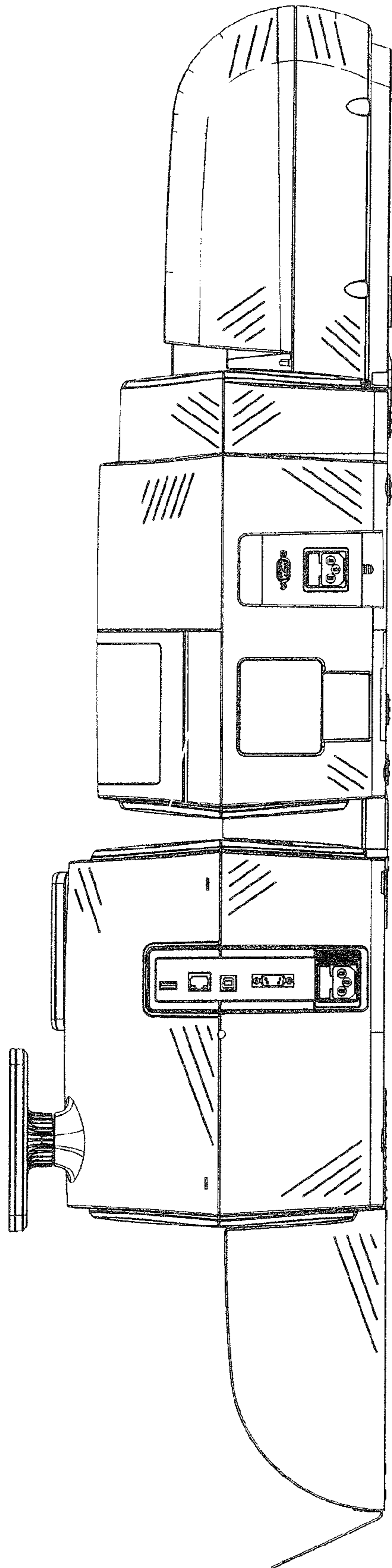


FIG. 6