



US00D689128S

(12) **United States Design Patent**  
**Amberg et al.**

(10) **Patent No.:** **US D689,128 S**  
(45) **Date of Patent:** **\*\* Sep. 3, 2013**

(54) **TONER CONTAINER**

(75) Inventors: **Joseph A. Amberg**, Chanhassen, MN (US); **Daniel E. Meyer**, Boston, MA (US); **Terry D. Erickson**, St. Paul, MN (US)

(73) Assignee: **Katun Corporation**, Minneapolis, MN (US)

(\*\*) Term: **14 Years**

(21) Appl. No.: **29/411,368**

(22) Filed: **Jan. 19, 2012**

(51) **LOC (9) Cl.** ..... **16-03**

(52) **U.S. Cl.**  
USPC ..... **D18/43**

(58) **Field of Classification Search**  
USPC ..... D14/471; D18/12, 36, 40, 43, 44, D18/56; 222/DIG. 1; 347/197, 222; 399/24-28, 107-112, 119, 121, 122, 222-224  
See application file for complete search history.

(56) **References Cited**

U.S. PATENT DOCUMENTS

D502,731	S	*	3/2005	Yamada	.....	D18/43
D611,528	S	*	3/2010	Meyer et al.	.....	D18/43
D614,232	S	*	4/2010	Yamada	.....	D18/43
D615,124	S	*	5/2010	Nakajima et al.	.....	D18/43
D615,584	S	*	5/2010	Jimba et al.	.....	D18/43
D616,491	S	*	5/2010	Yomoda et al.	.....	D18/43
7,729,644	B2	*	6/2010	Thornton et al.	.....	399/262
8,160,471	B2	*	4/2012	Jimba et al.	.....	399/106
2009/0232546	A1	*	9/2009	Yamada et al.	.....	399/119

FOREIGN PATENT DOCUMENTS

EM 001336176-0001 8/2012

\* cited by examiner

*Primary Examiner* — Garth Rademaker

(74) *Attorney, Agent, or Firm* — Schwegman, Lundberg & Woessner, P.A.

(57) **CLAIM**

The ornamental design for a toner container, as shown and described.

**DESCRIPTION**

FIG. 1 is a perspective view of a toner container, showing the new design.

FIG. 2 is a first detailed perspective view of the toner container of FIG. 1.

FIG. 3 is a second detailed perspective view of the toner container of FIG. 1.

FIG. 4 is a third detailed perspective view of the toner container of FIG. 1.

FIG. 5 is a fourth detailed perspective view of the toner container of FIG. 1.

FIG. 6 is a first side view of the toner container of FIG. 1.

FIG. 7 is a second side view of the toner container of FIG. 1.

FIG. 8 is a top view of the toner container of FIG. 1.

FIG. 9 is a bottom view of the toner container of FIG. 1.

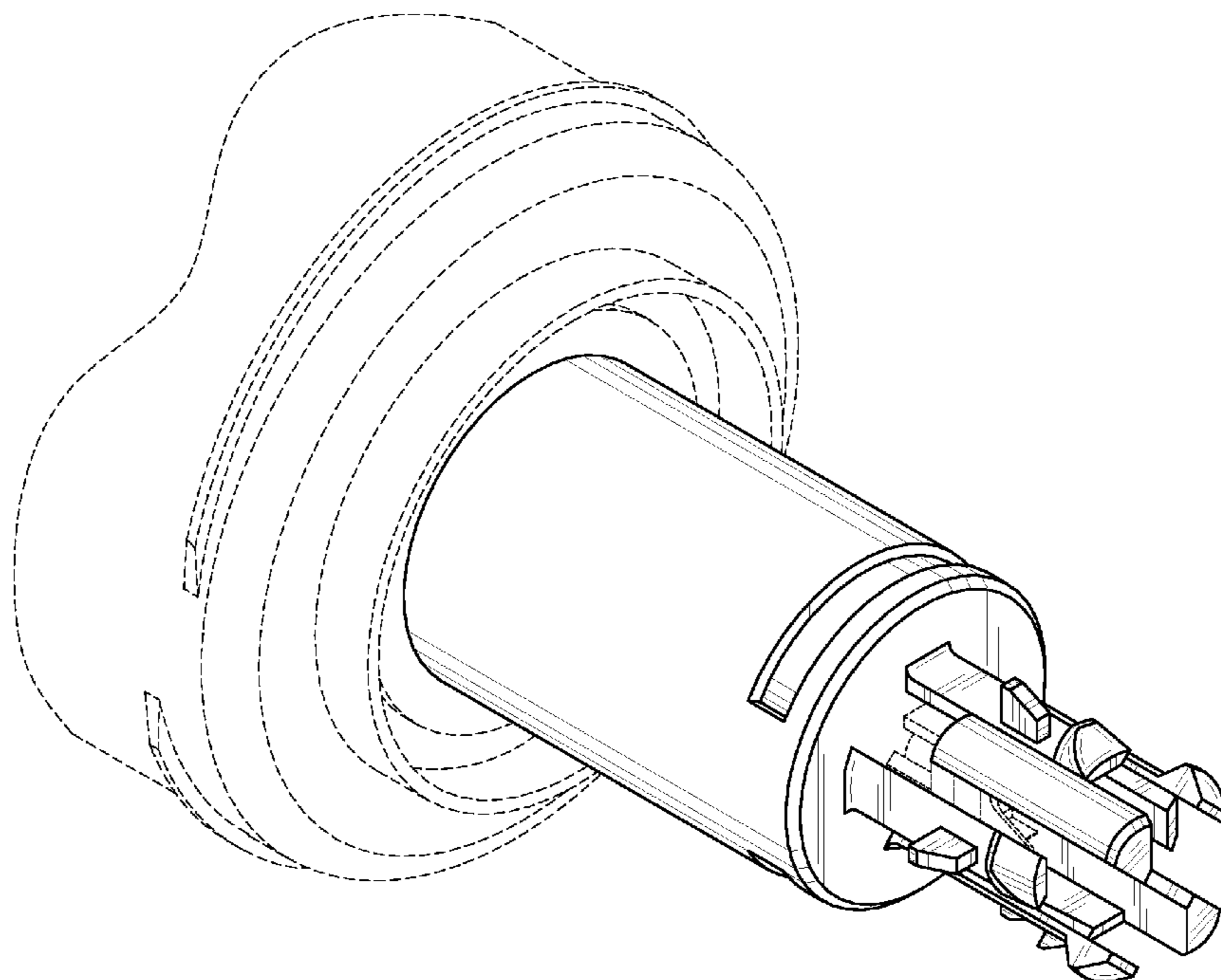
FIG. 10 is a front view of the toner container of FIG. 1.

FIG. 11 is a perspective view of the back of the toner container of FIG. 1; and,

FIG. 12 is a back view of the toner container of FIG. 1.

The broken lines depict environmental subject matter only and form no part of the claimed design.

**1 Claim, 12 Drawing Sheets**



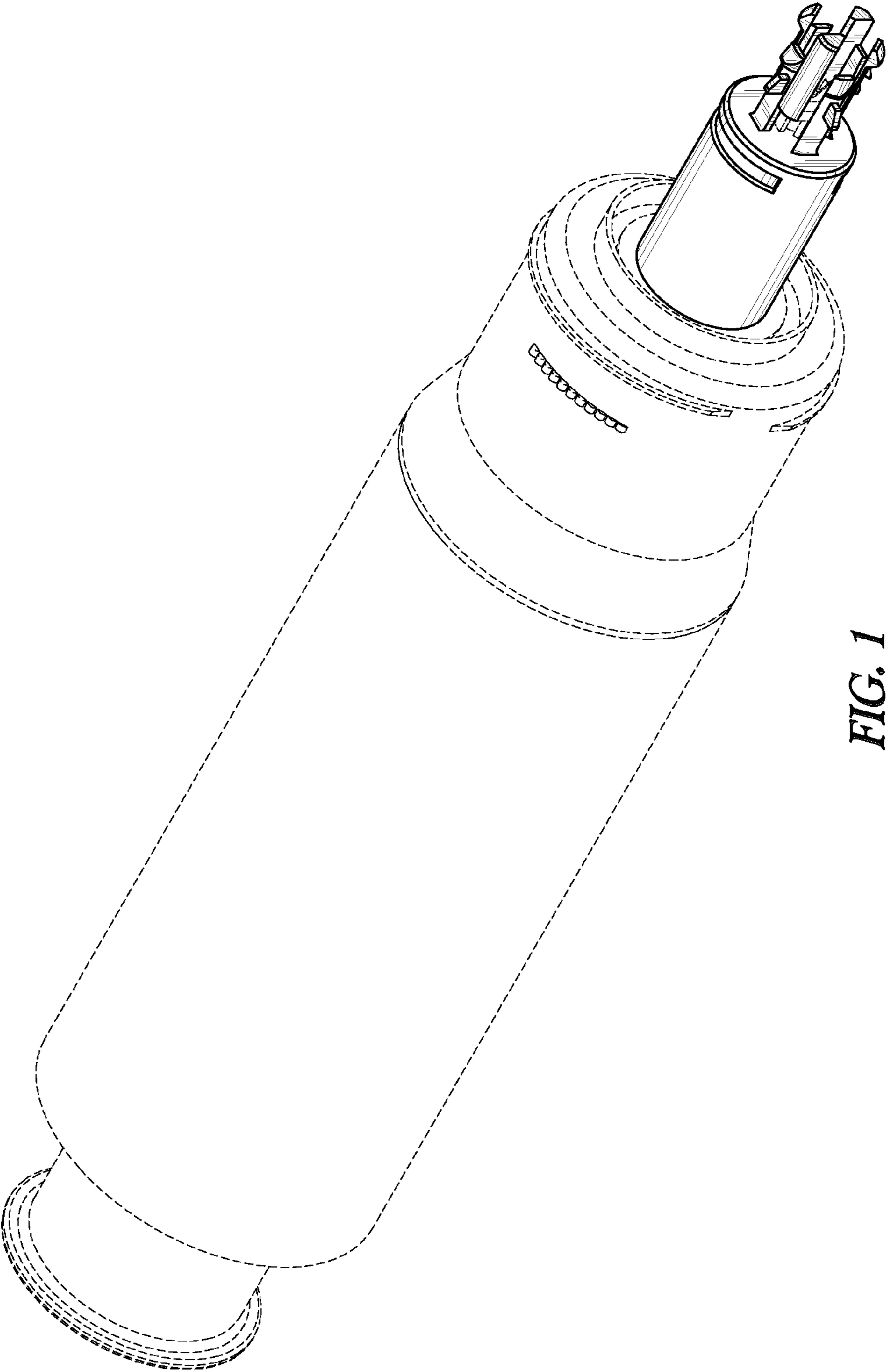
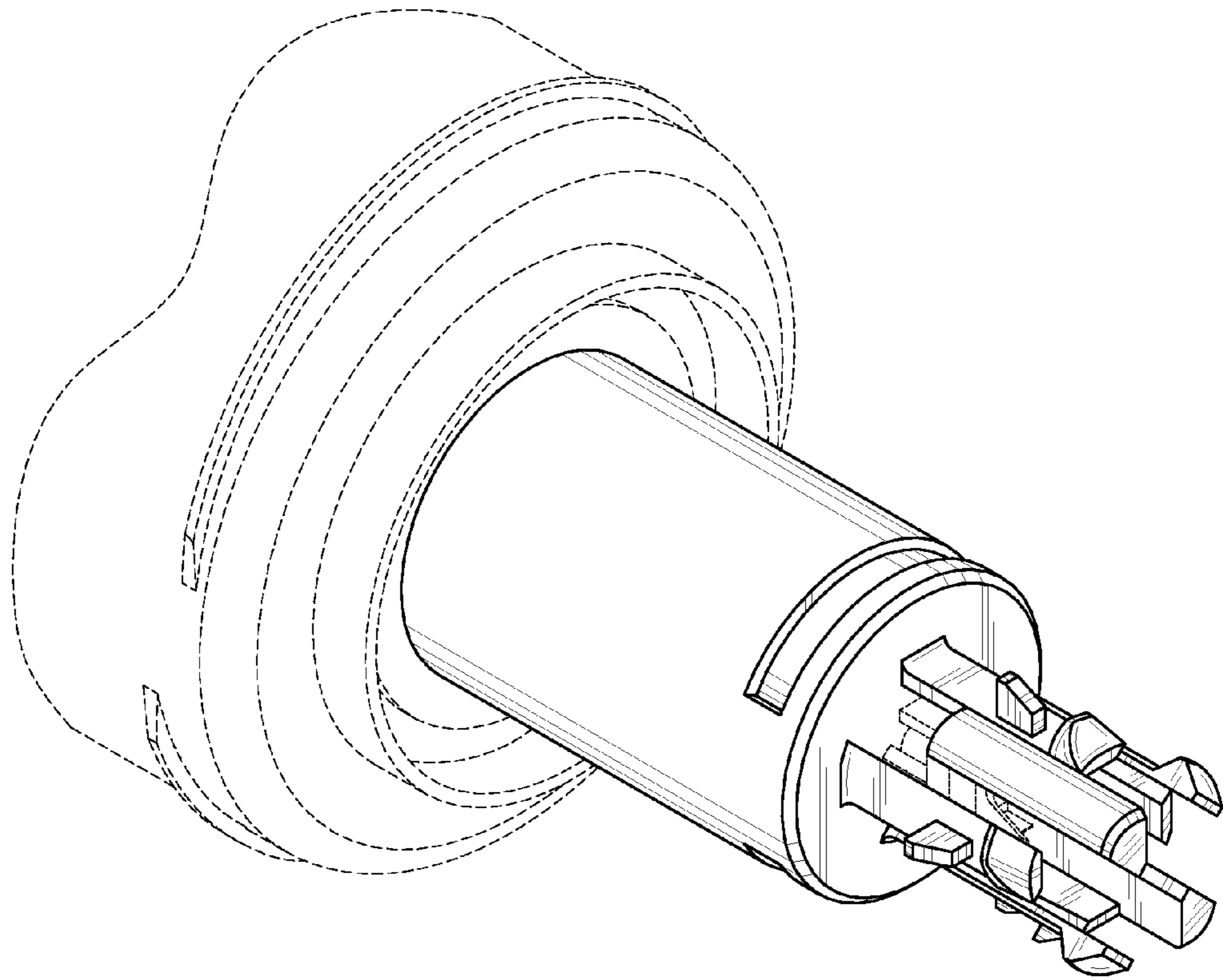
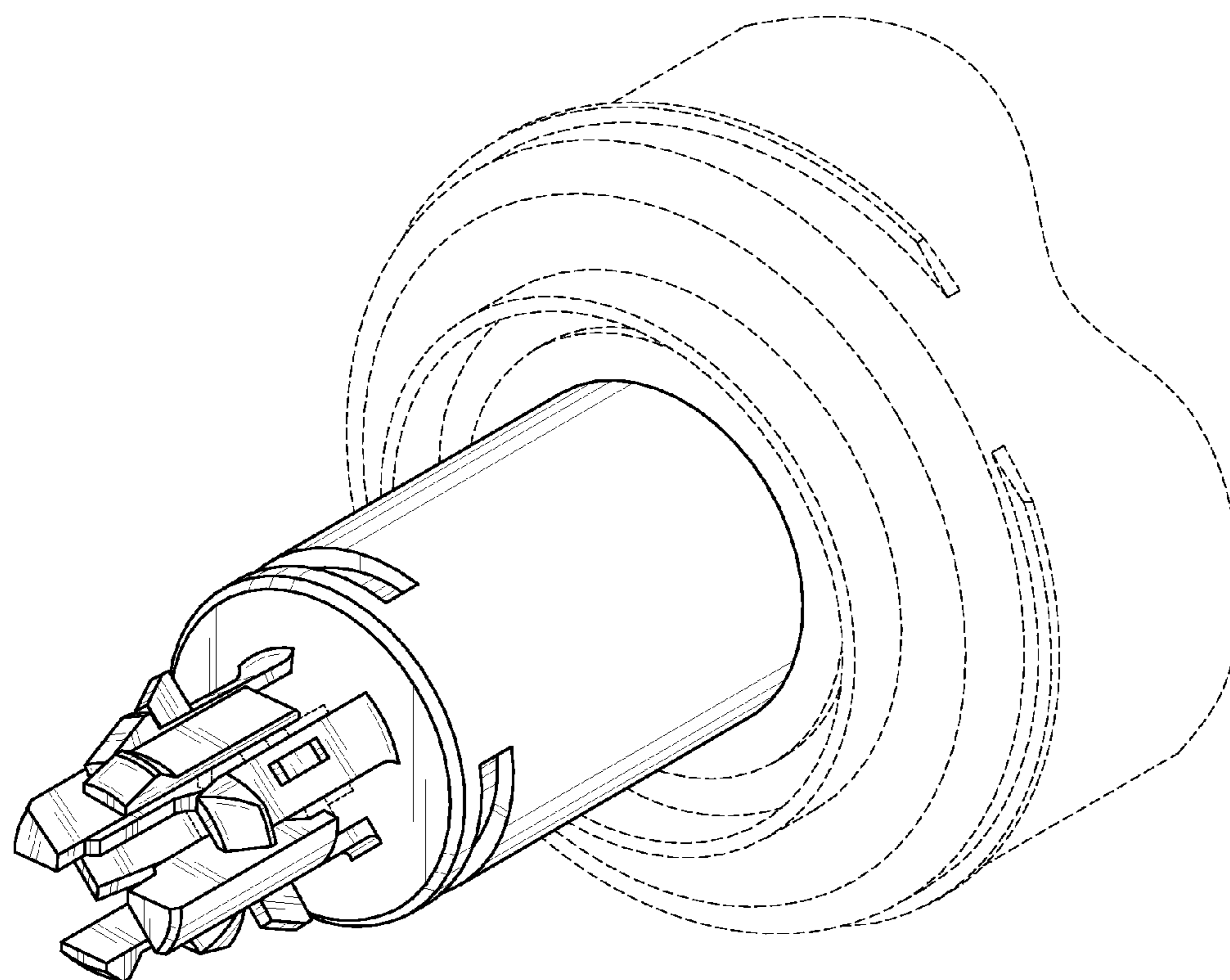


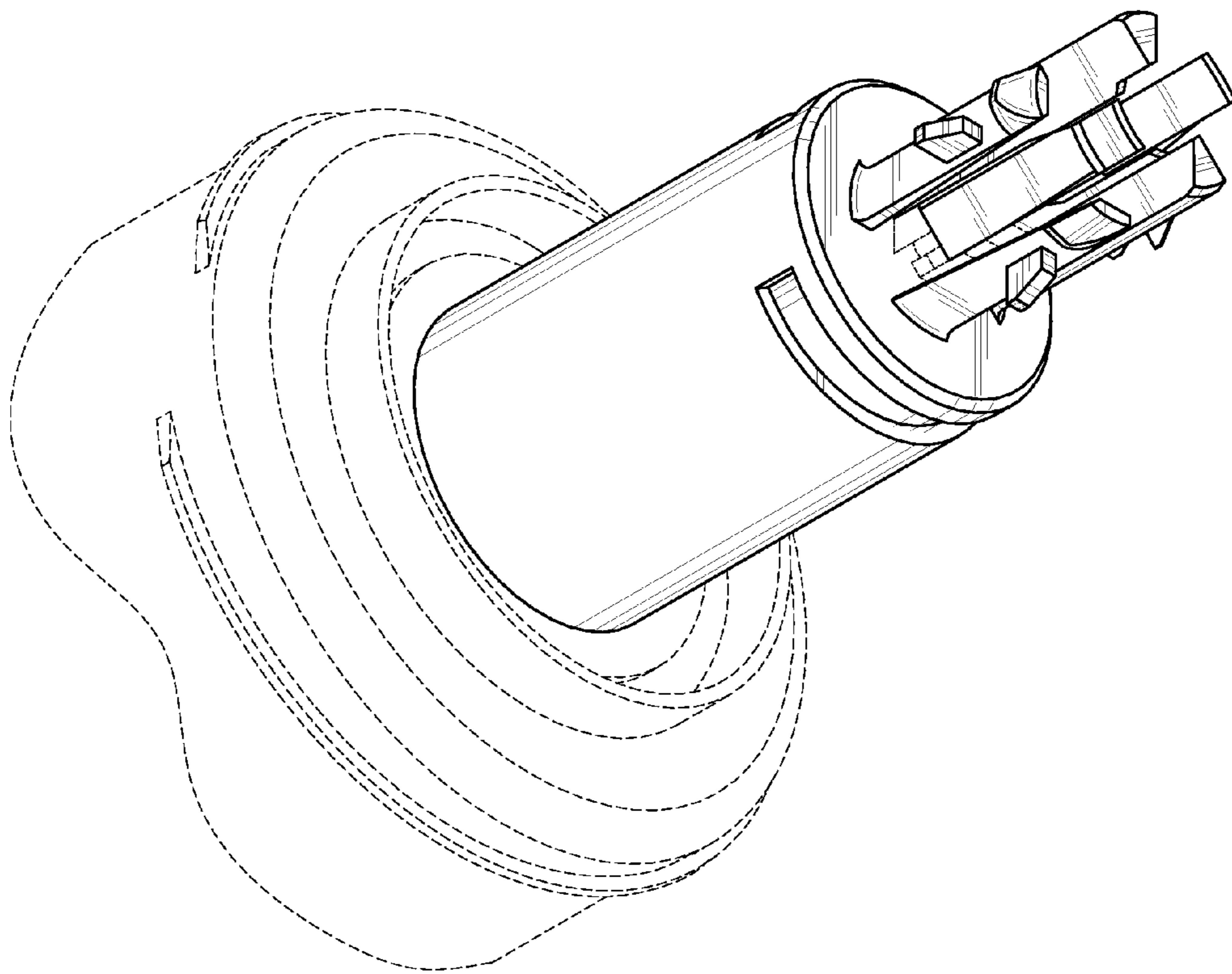
FIG. 1



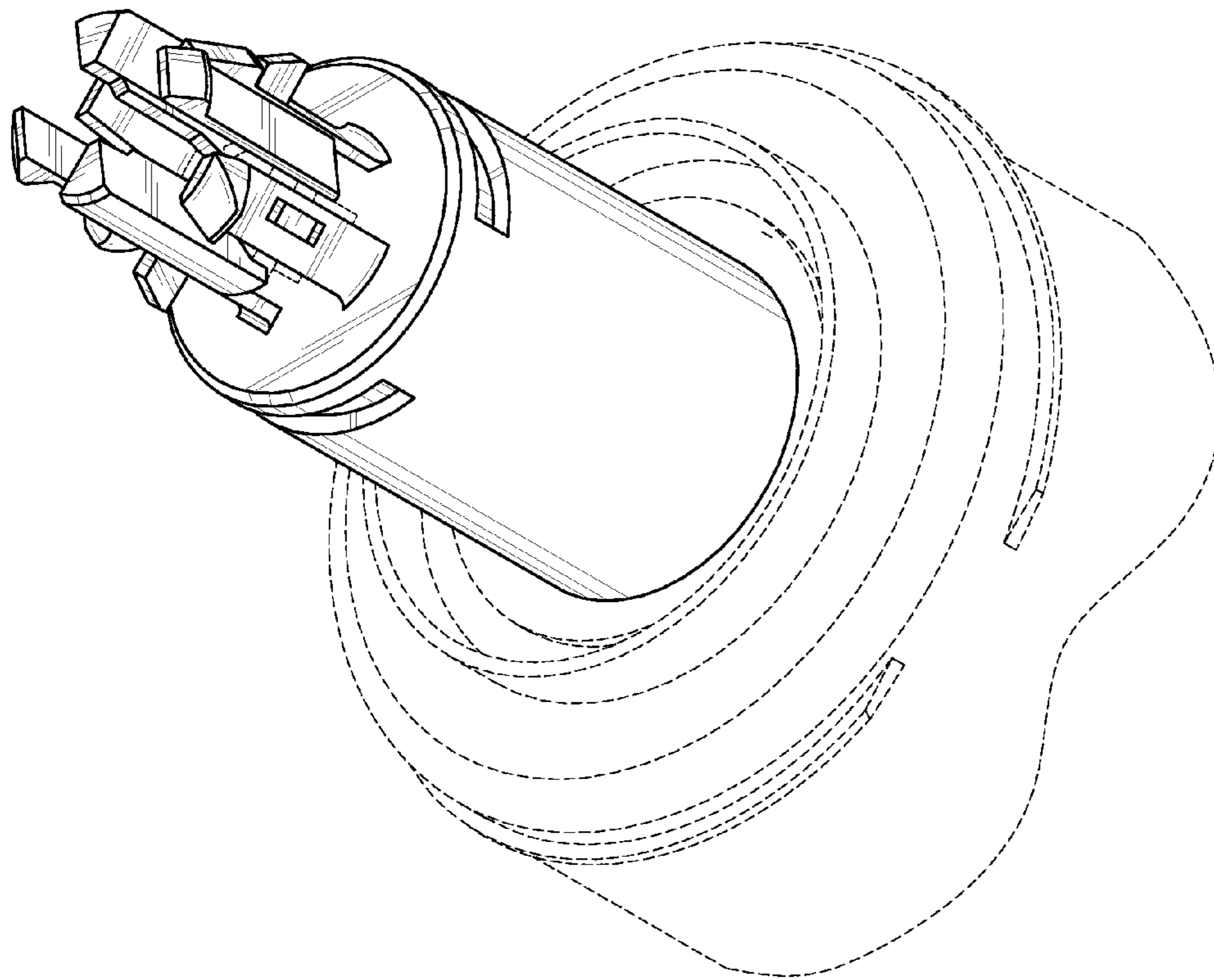
*FIG. 2*



*FIG. 3*



*FIG. 4*



*FIG. 5*

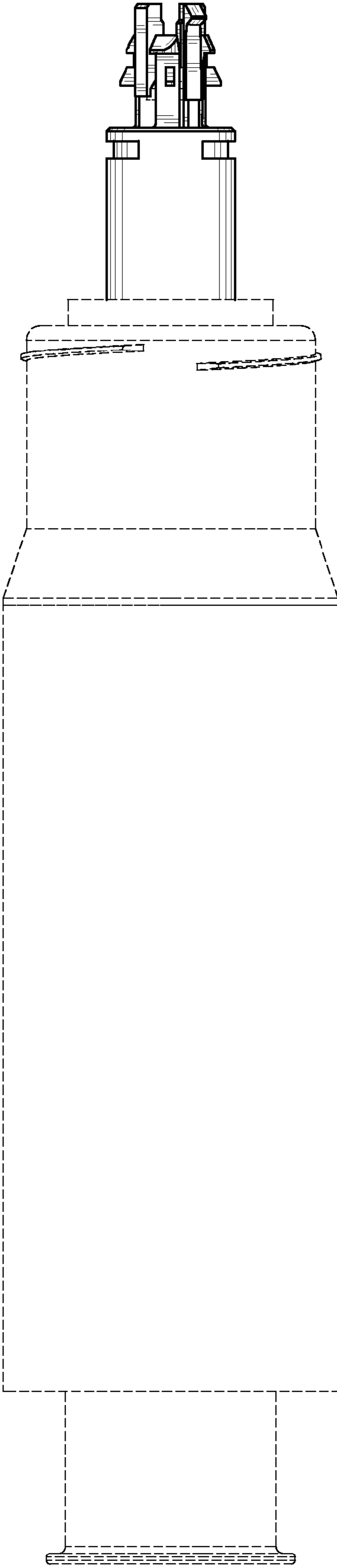


FIG. 6

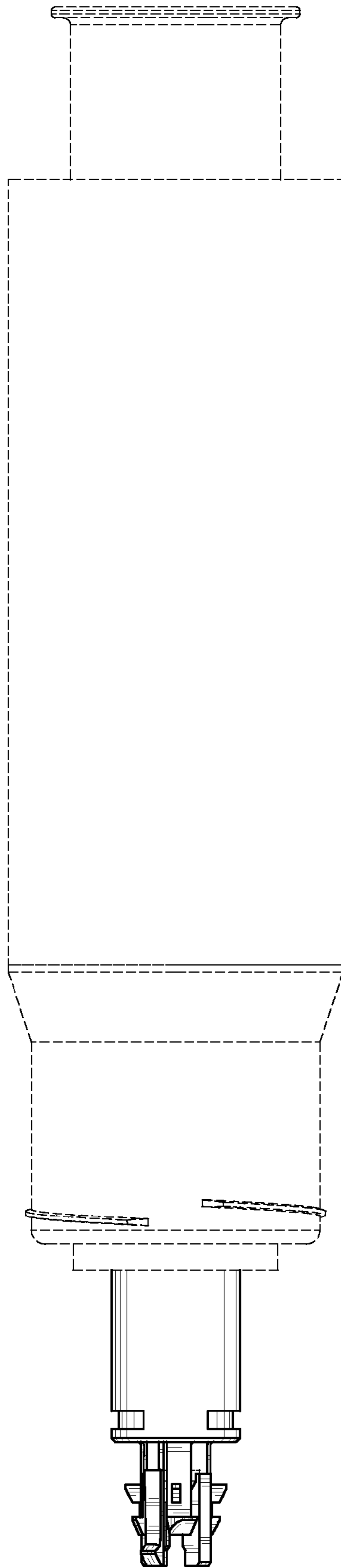
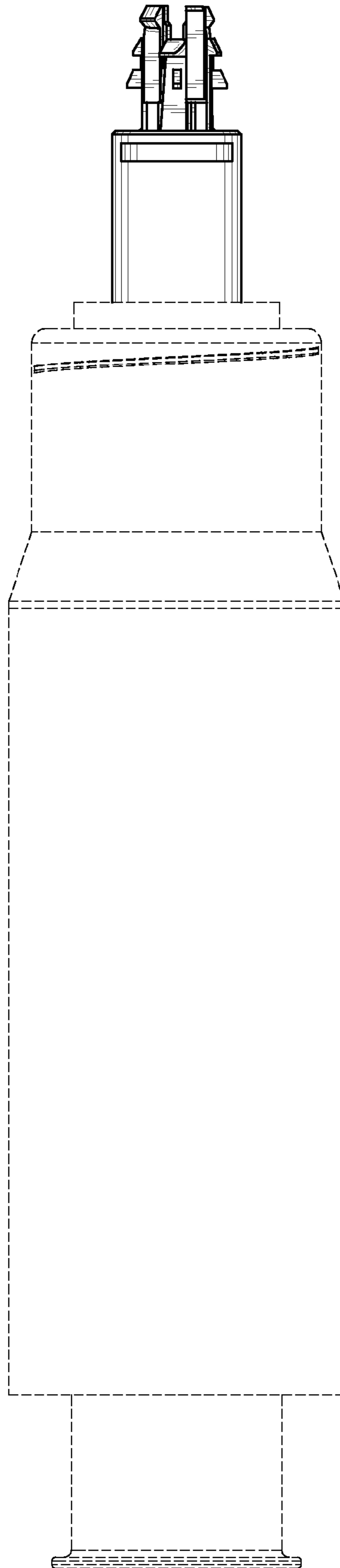
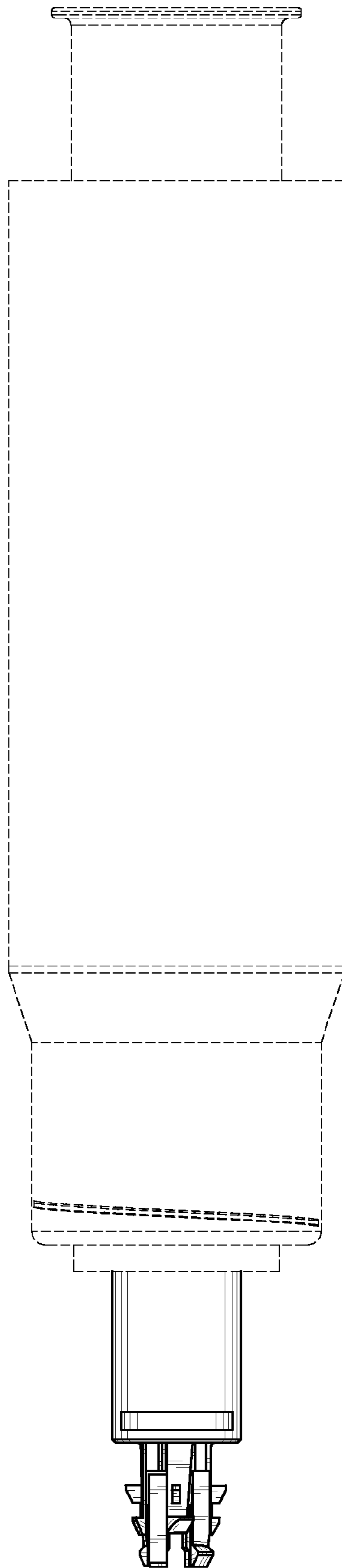


FIG. 7

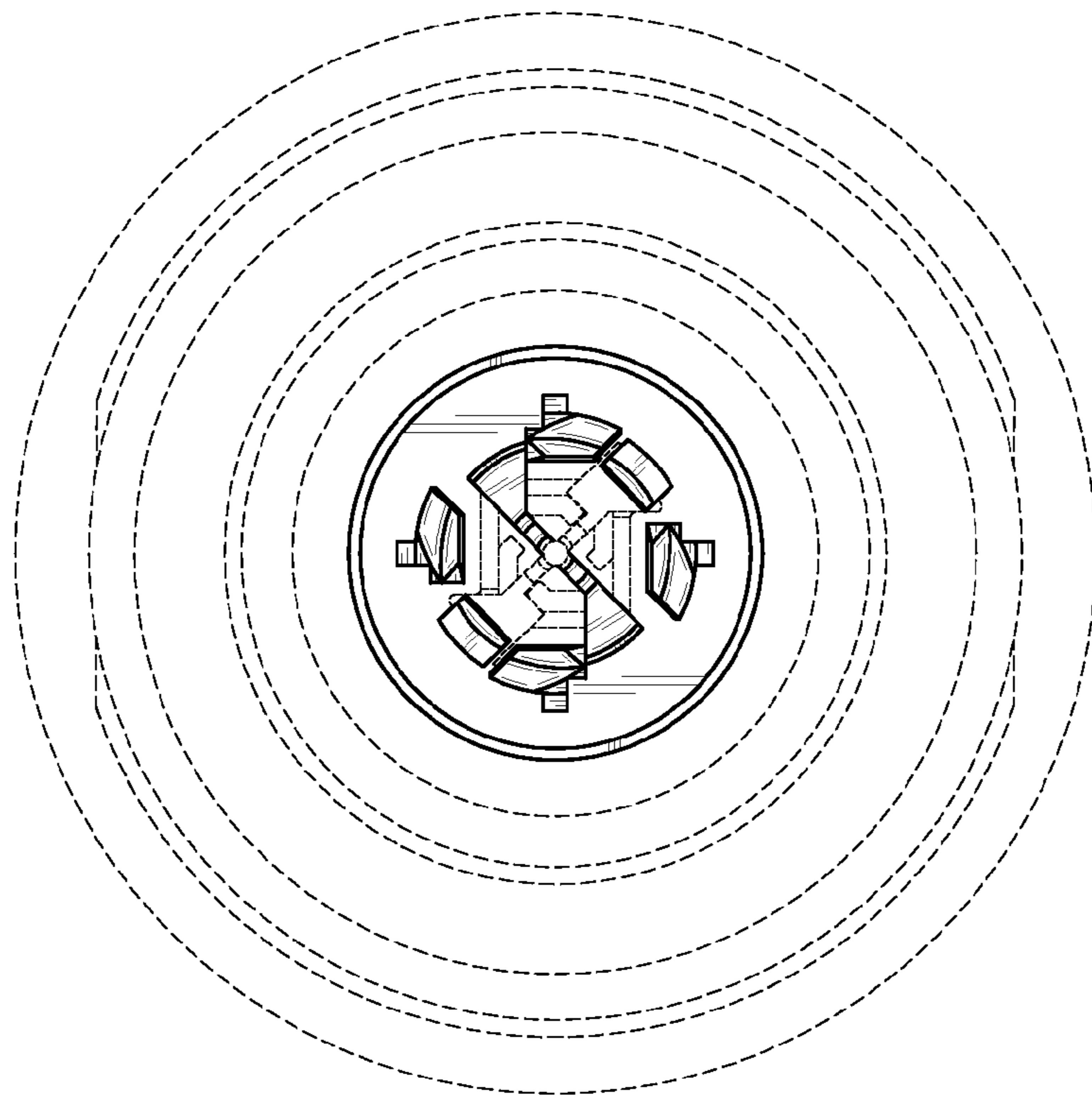




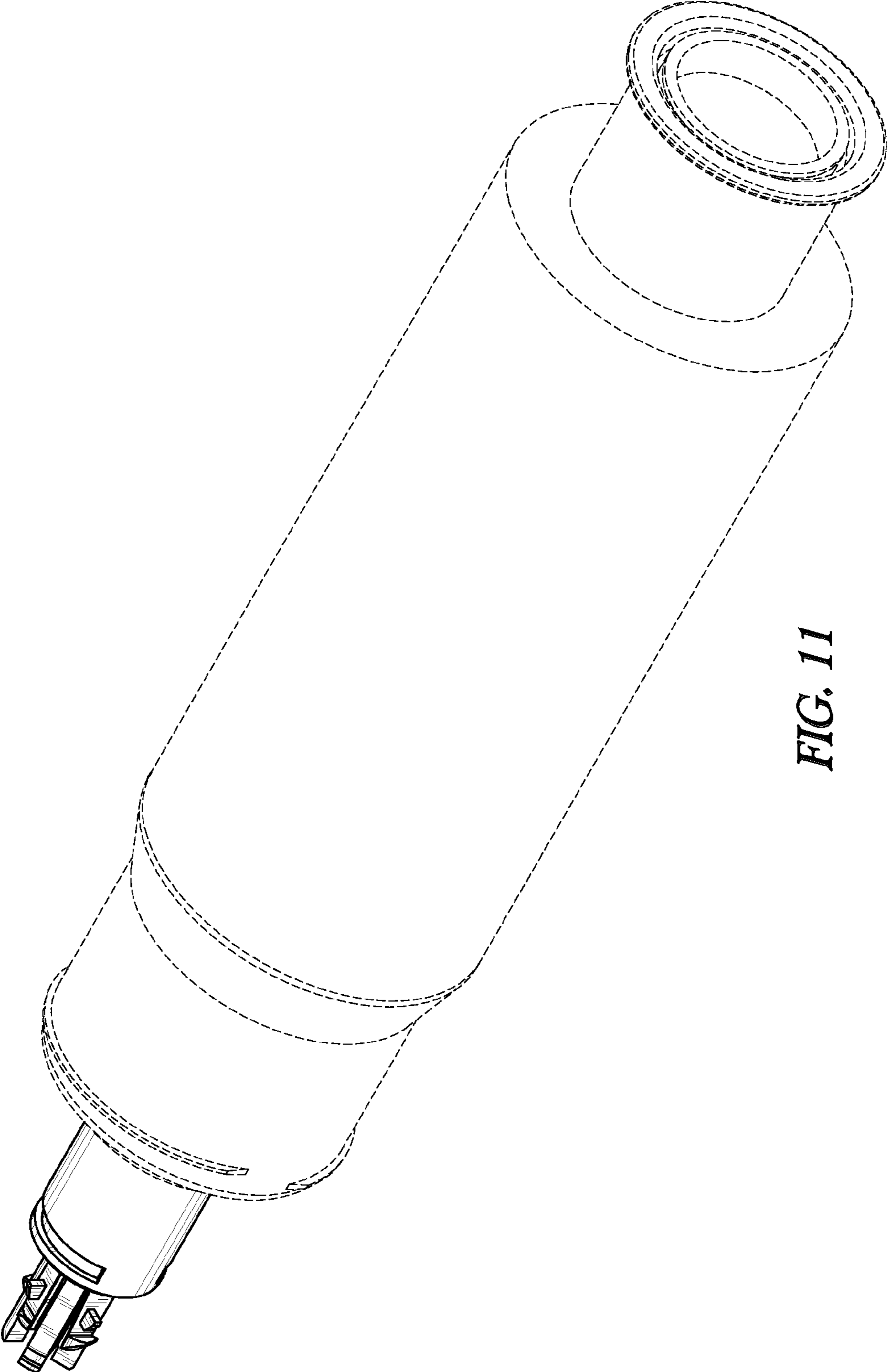
*FIG. 8*



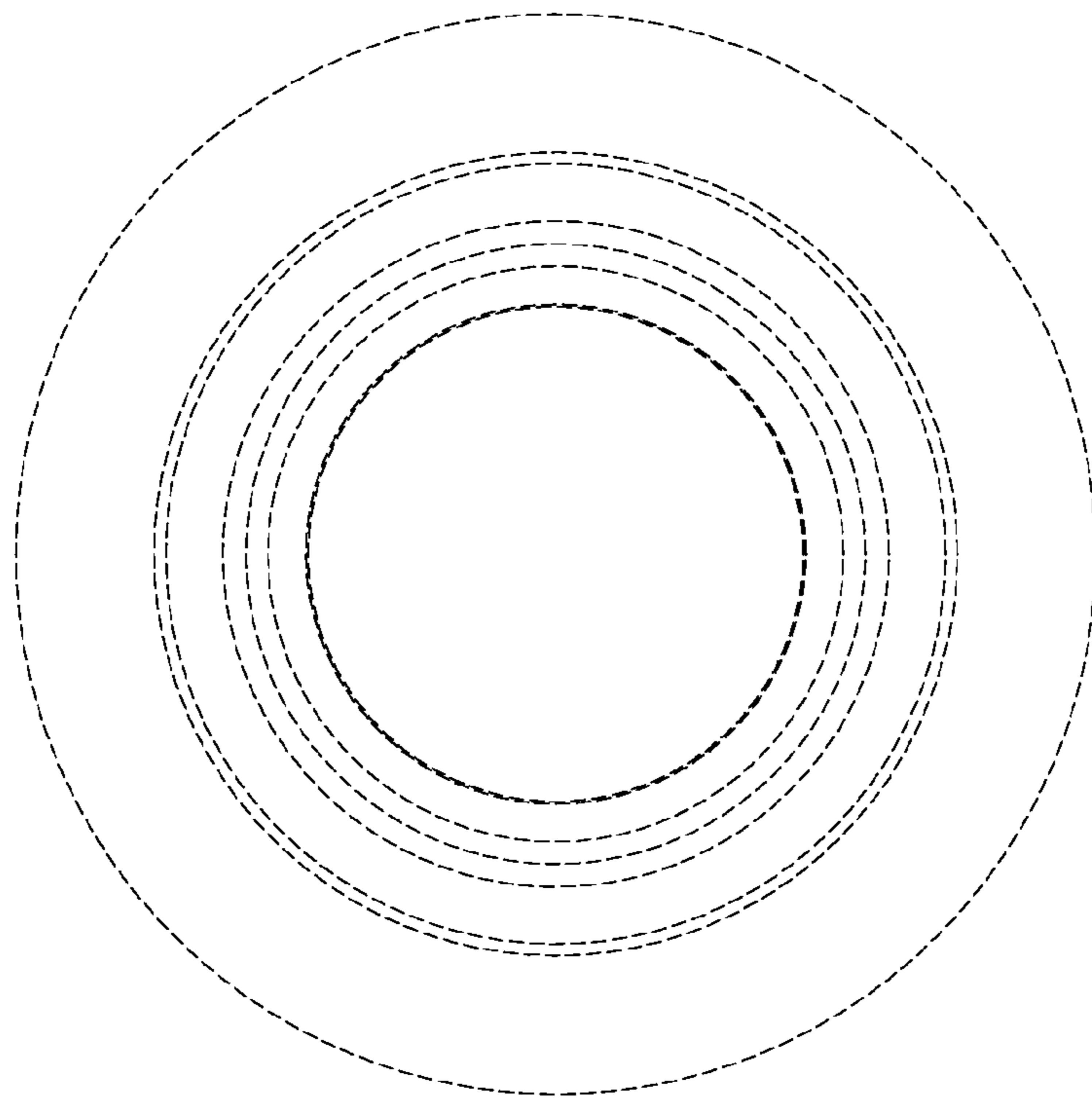
*FIG. 9*



*FIG. 10*



*FIG. 11*



*FIG. 12*