



US00D689122S

(12) **United States Design Patent**  
**Lochen**

(10) **Patent No.:** **US D689,122 S**  
(45) **Date of Patent:** **\*\* Sep. 3, 2013**

(54) **FOOTBALL VUVUZELA MARACA**

(71) Applicant: **Romain Emmanuel Lochen**, Congenies (FR)

(72) Inventor: **Romain Emmanuel Lochen**, Congenies (FR)

(\*\*) Term: **14 Years**

(21) Appl. No.: **29/446,994**

(22) Filed: **Feb. 28, 2013**

(51) **LOC (9) Cl.** ..... **17-02**

(52) **U.S. Cl.**  
USPC ..... **D17/10; D17/22**

(58) **Field of Classification Search**  
USPC ..... D17/10, 99, 22; 84/83, 330, 355,  
84/402, 103; D21/405, 406, 411  
See application file for complete search history.

(56) **References Cited**

**U.S. PATENT DOCUMENTS**

D254,911 S *	5/1980	Larson	.....	D17/10
D278,642 S *	4/1985	Martinez	.....	D21/406
D286,940 S *	12/1986	Saladino et al.	.....	D1/101
D428,298 S *	7/2000	Cohen	.....	D7/300.2
D440,252 S *	4/2001	Cohen	.....	D19/42
D459,382 S *	6/2002	Cohen	.....	D17/22
D459,749 S *	7/2002	Cohen	.....	D17/22
D463,482 S *	9/2002	Cohen	.....	D17/22
6,858,787 B1 *	2/2005	de Vries	.....	84/402
7,045,695 B1 *	5/2006	Cohen	.....	84/402

D626,873 S *	11/2010	Castle et al.	.....	D10/119.4
D654,388 S *	2/2012	Castle et al.	.....	D10/119.3
2001/0034177 A1 *	10/2001	Hunn	.....	446/73

**OTHER PUBLICATIONS**

AliExpress. <http://www.aliexpress.com/item-img/Free-shipping-10pcs-FANS-HORN-vuvuzela-horn-party-birthday-horn-sports/843242827.html>. Date Unknown: Viewed Apr. 2013. "Fans Horn vuvuzela horn party".\*

\* cited by examiner

*Primary Examiner* — Rashida Johnson

(74) *Attorney, Agent, or Firm* — Michael J. Gallagher; David J. Dawsey; Gallagher & Dawsey Co. LPA

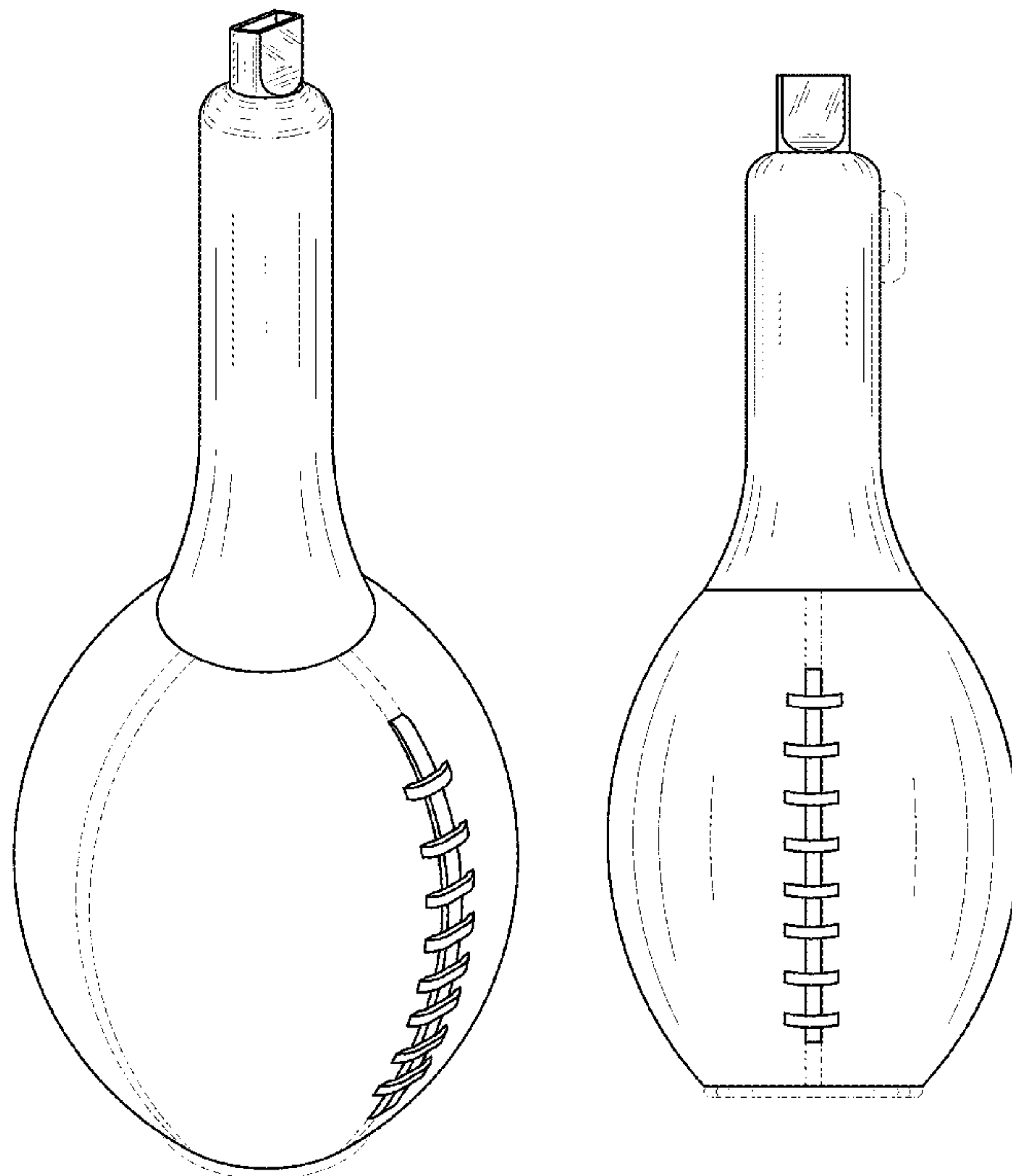
(57) **CLAIM**

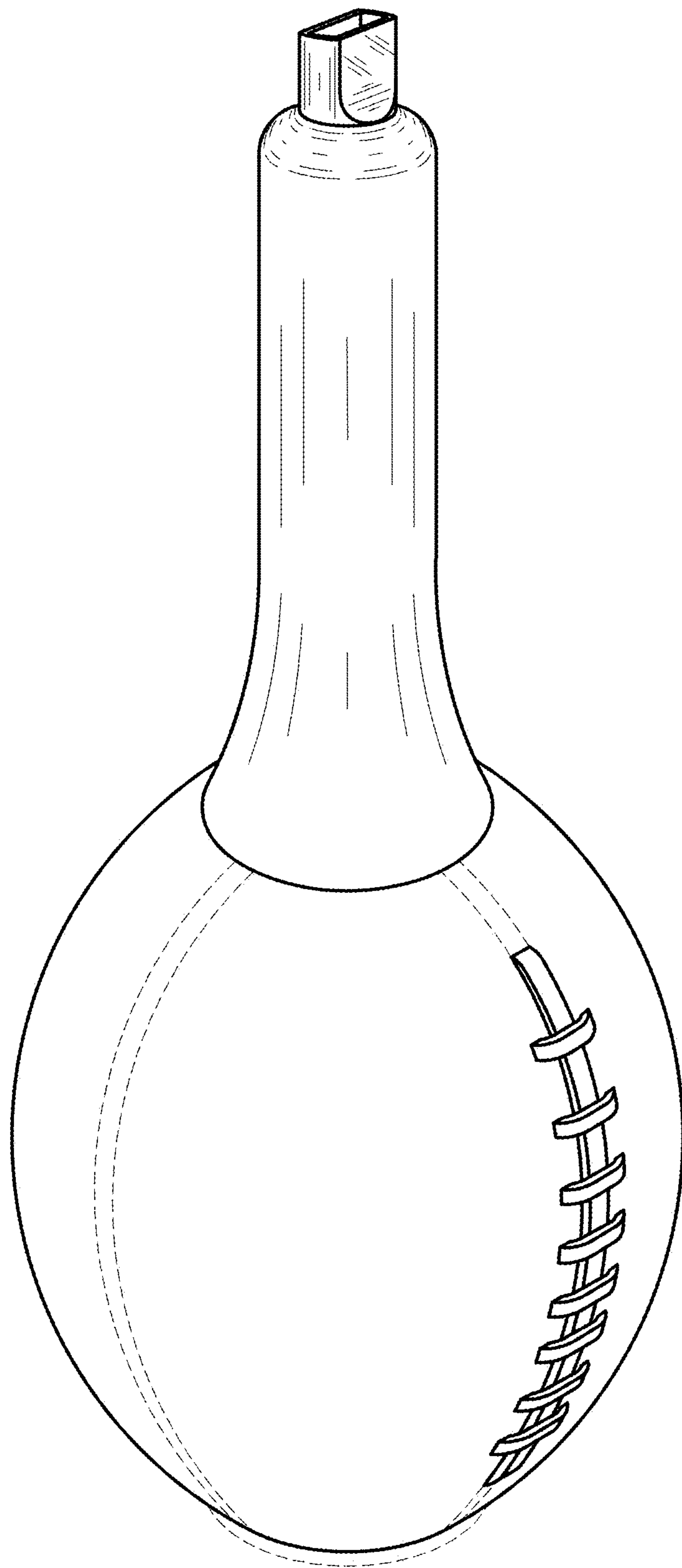
I claim the ornamental design for a football vuvuzela maraca, as shown and described.

**DESCRIPTION**

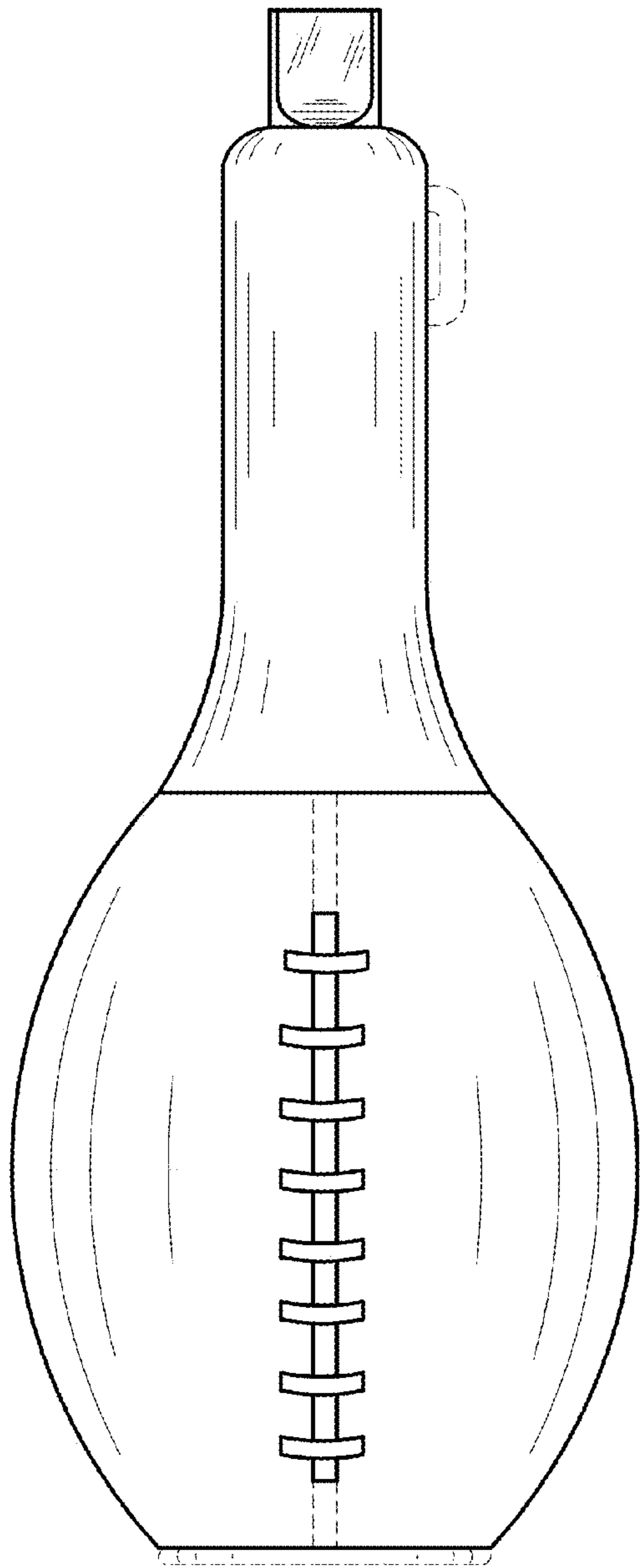
FIG. 1 is a perspective view of a football vuvuzela maraca, showing my new design;  
FIG. 2 is a front elevation view thereof;  
FIG. 3 is a back elevation view thereof;  
FIG. 4 is a side elevation view thereof;  
FIG. 5 is an opposite side, relative to FIG. 4, elevation view thereof;  
FIG. 6 is a top plan view thereof; and,  
FIG. 7 is a bottom plan thereof.  
The broken-line disclosure in the views is understood to represent portions of the article in which the claimed design is embodied, but which form no part of the claimed design.

**1 Claim, 4 Drawing Sheets**

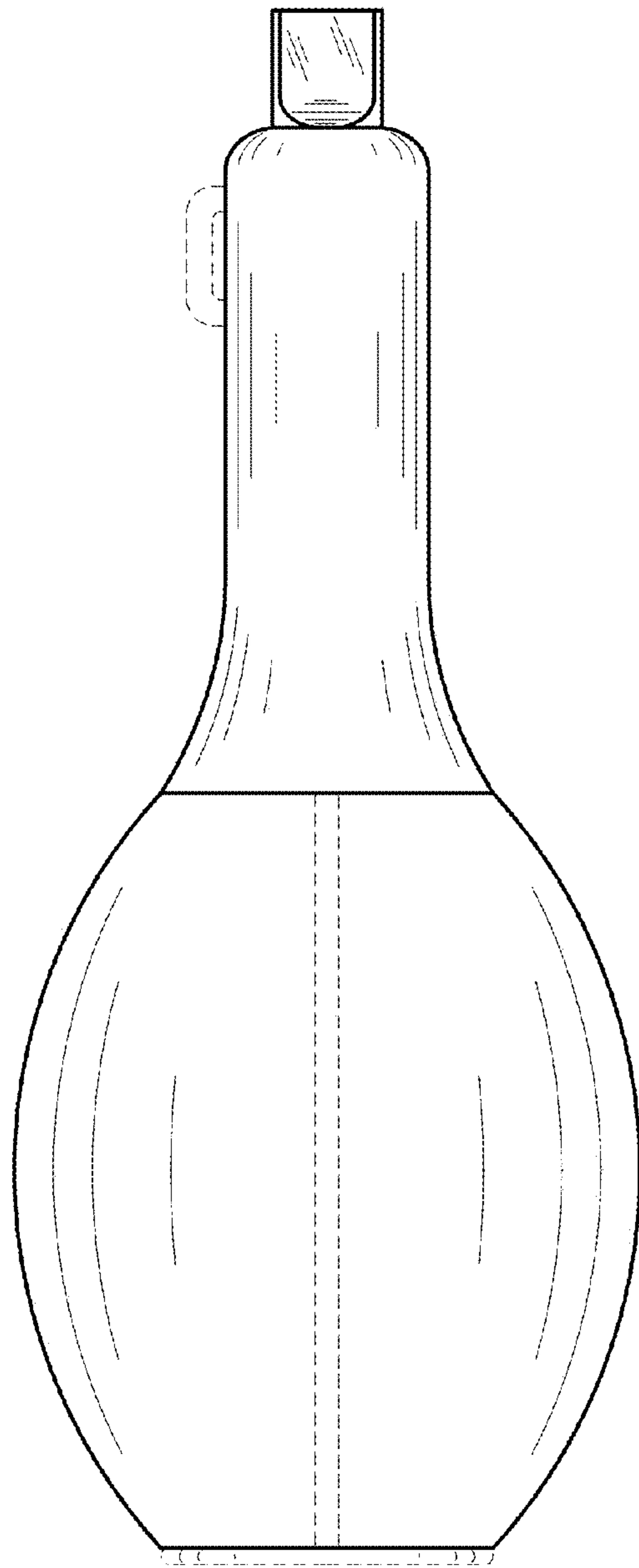




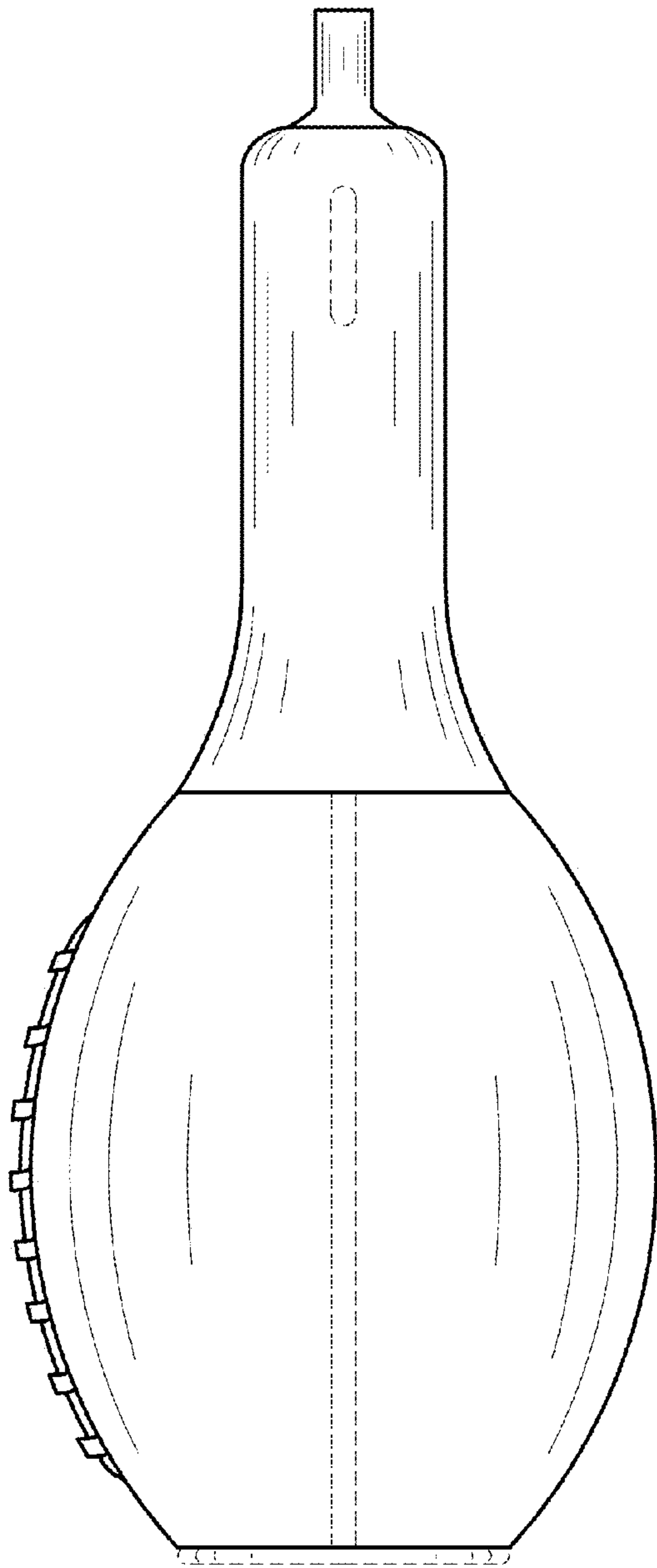
*Fig. 1*



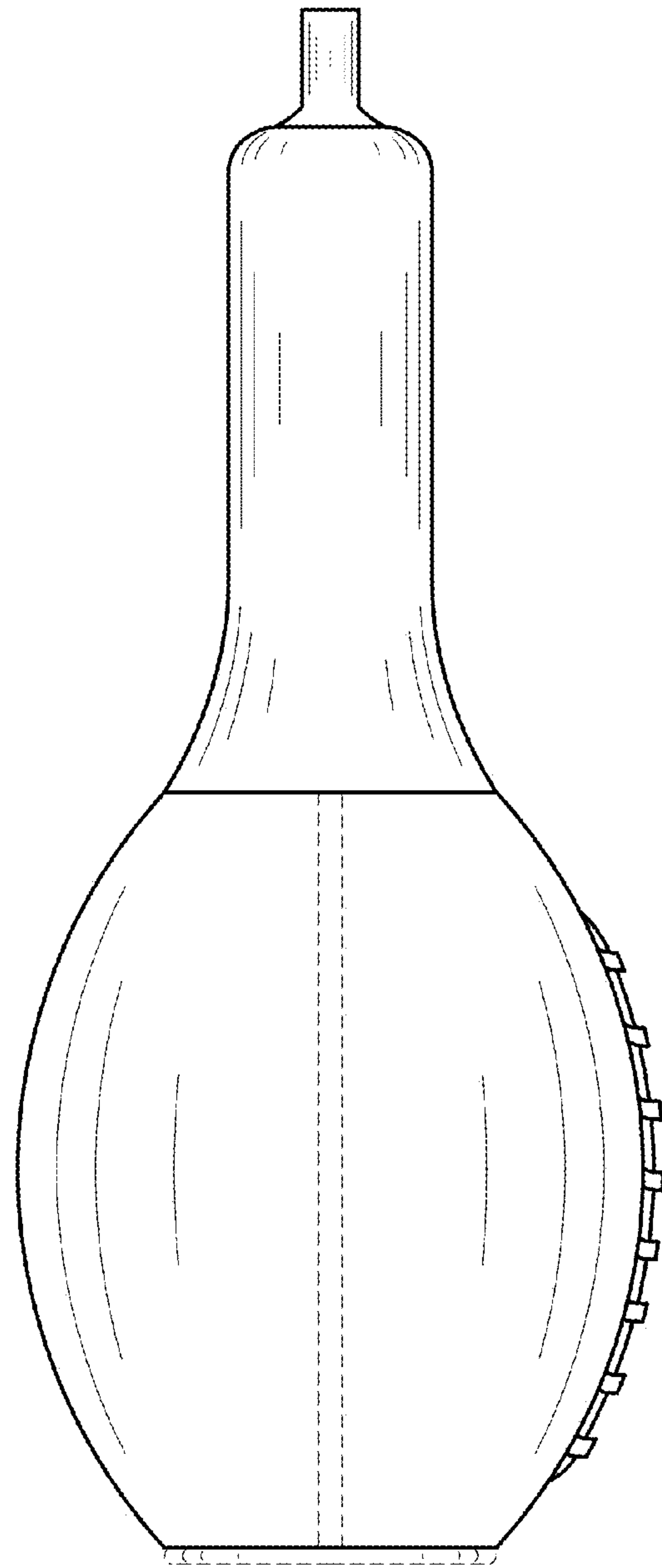
*Fig. 2*



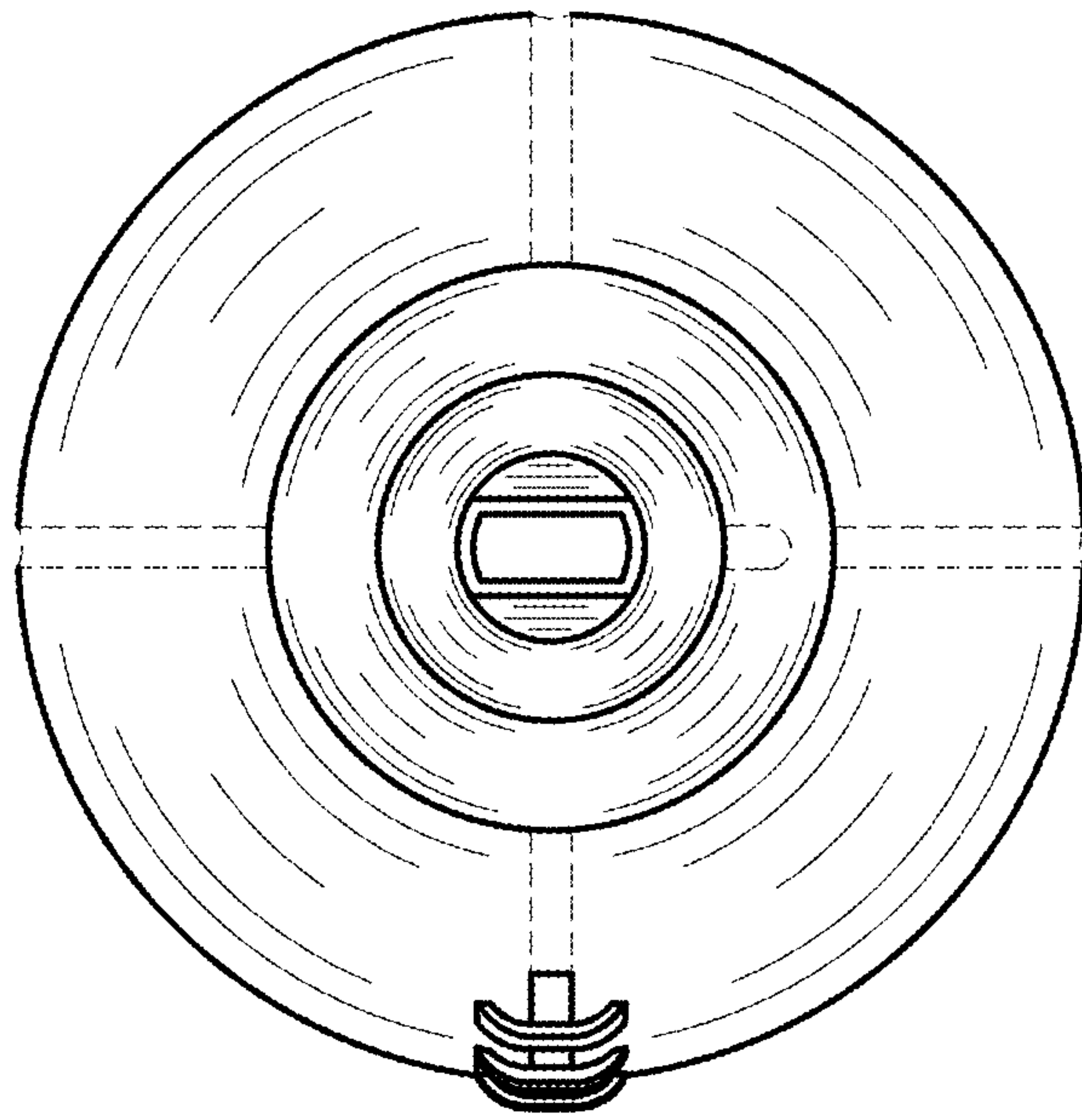
*Fig. 3*



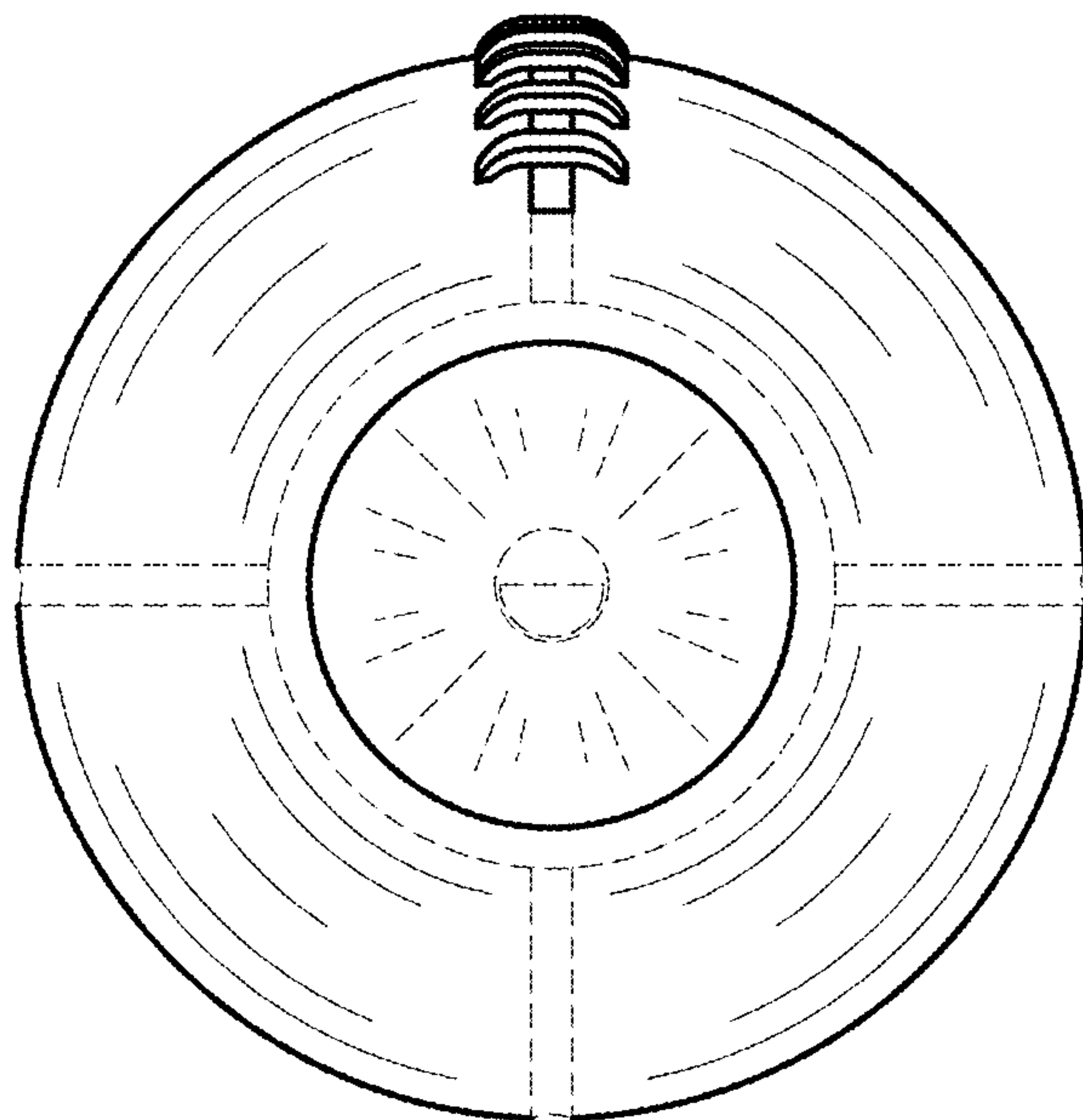
*Fig. 4*



*Fig. 5*



*Fig. 6*



*Fig. 7*