



US00D689114S

(12) **United States Design Patent**
Green et al.

(10) **Patent No.:** **US D689,114 S**
(45) **Date of Patent:** **** Sep. 3, 2013**

(54) **CAMERA MOUNT**

(75) Inventors: **Jason Green**, Seattle, WA (US); **Marc Barros**, Bellevue, WA (US); **David Thorpe**, Portland, OR (US); **Chunshik Kim**, Portland, OR (US); **Felix Ballerstedt**, Portland, OR (US); **David Randall Knaub**, Portland, WA (US); **Oved Valadez**, Portland, OR (US); **Peter Kettering**, Reinheim (DE)

(73) Assignee: **Contour, Inc.**, Seattle, WA (US)

(**) Term: **14 Years**

(21) Appl. No.: **29/423,856**

(22) Filed: **Jun. 5, 2012**

Related U.S. Application Data

(63) Continuation of application No. 29/369,518, filed on Sep. 9, 2010, now Pat. No. Des. 665,006, which is a continuation of application No. 29/367,294, filed on Aug. 5, 2010, now Pat. No. Des. 640,722, which is a continuation of application No. 29/356,376, filed on Feb. 24, 2010, now Pat. No. Des. 640,304, which is a continuation of application No. 29/355,173, filed on Feb. 3, 2010, now Pat. No. Des. 621,435, which is a continuation of application No. 29/322,219, filed on Jul. 30, 2008, now Pat. No. Des. 616,006, which is a continuation of application No. PCT/US2008/071661, filed on Jul. 30, 2008.

(51) **LOC (9) Cl.** **16-05**

(52) **U.S. Cl.**
USPC **D16/242**

(58) **Field of Classification Search**
USPC D16/235, 237, 242; 396/419, 421, 396/428; 248/176.1, 177.1, 178.1
See application file for complete search history.

(56) **References Cited**

U.S. PATENT DOCUMENTS

D246,528 S 11/1977 Miller
4,516,157 A 5/1985 Campbell

(Continued)

FOREIGN PATENT DOCUMENTS

CA 2 463 117 A1 8/2004
CN 1157078 8/1997

(Continued)

OTHER PUBLICATIONS

International Application No. PCT/US2008/71661, filed Jul. 30, 2008.

(Continued)

Primary Examiner — Adir Aronovich

(74) *Attorney, Agent, or Firm* — Stoel Rives LLP

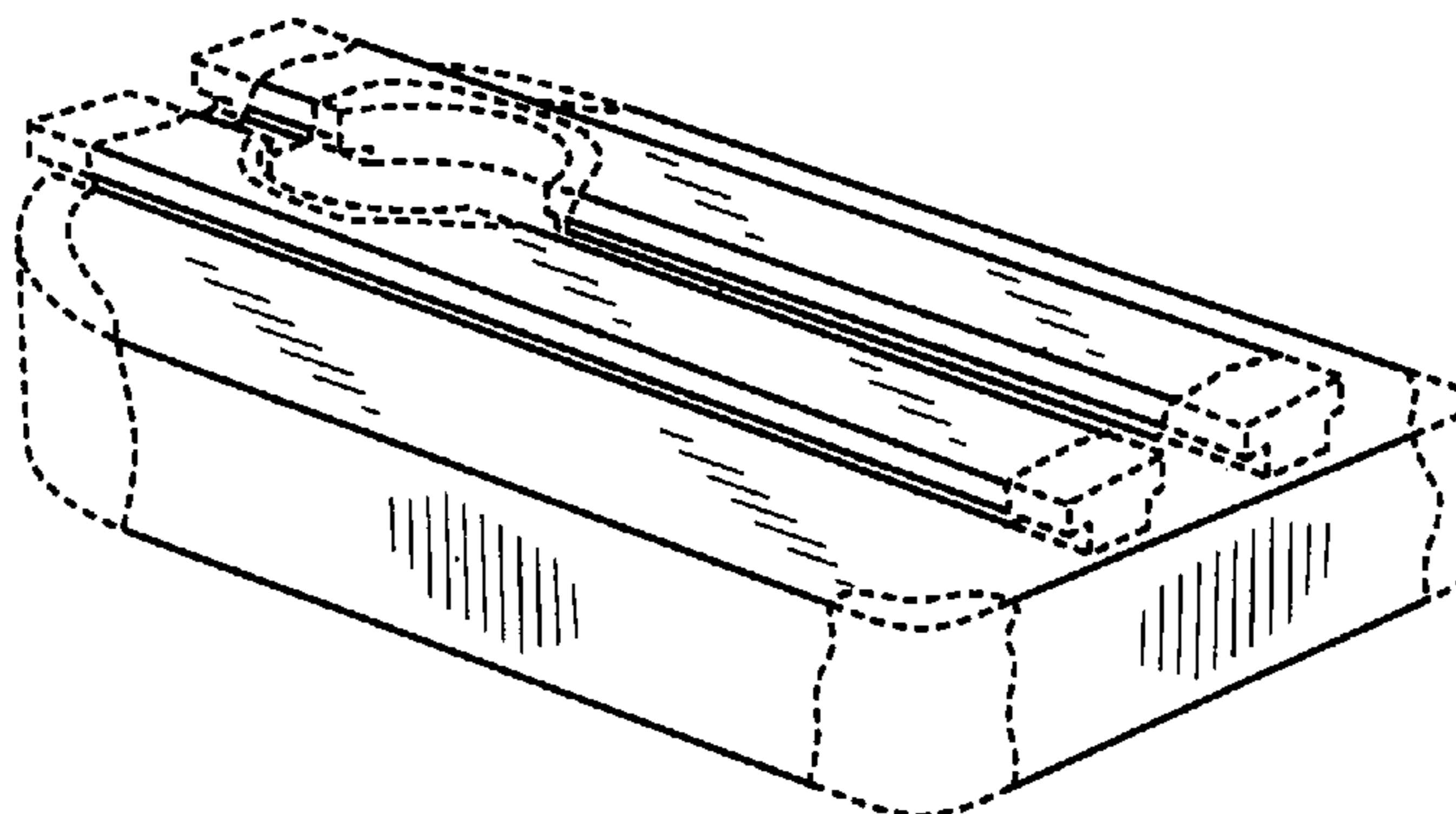
(57) **CLAIM**

The ornamental design for a camera mount, as shown and described.

DESCRIPTION

FIG. 1 is an enlarged top, front, and left side perspective view of a camera mount, showing our new design;
FIG. 2 is a top, front, and left side perspective view of a camera mount, wherein the broken line portions are shown to illustrate environment only and form no part of the claimed design;
FIG. 3 is a top, front, and left side perspective view of a camera mount, wherein the broken line portions are shown to illustrate an alternative environment and form no part of the claimed design;
FIG. 4 is an enlarged top plan view of the camera mount shown in FIG. 1;
FIG. 5 is an enlarged front elevational view of the camera mount shown in FIG. 1; and,
FIG. 6 is an enlarged left side elevational view of the camera mount shown in FIG. 1.
The broken lines showing in FIGS. 1-6 are for illustrative purposes only and form no part of the claimed design.

1 Claim, 2 Drawing Sheets



(56)

References Cited

U.S. PATENT DOCUMENTS

4,525,045 A 6/1985 Fazekas
 D292,982 S 12/1987 Nakatani
 D307,286 S * 4/1990 Ginder D16/242
 5,056,745 A 10/1991 Gelbard
 5,218,439 A 6/1993 Mizoguchi et al.
 5,557,329 A 9/1996 Lim
 5,583,571 A 12/1996 Friedland
 D378,095 S 2/1997 Hasegawa
 D392,300 S 3/1998 Chow et al.
 5,859,666 A 1/1999 Manabe
 5,966,176 A 10/1999 Chow et al.
 6,028,627 A 2/2000 Helmsderfer
 6,091,831 A 7/2000 Cho
 D430,888 S 9/2000 Adachi et al.
 6,142,437 A 11/2000 Wilkins, Jr.
 6,377,302 B1 4/2002 Ozaki et al.
 6,421,088 B1 7/2002 Lee
 6,704,044 B1 3/2004 Foster et al.
 6,819,354 B1 11/2004 Foster et al.
 D506,489 S 6/2005 Owada
 D510,374 S 10/2005 Greenwood et al.
 6,955,484 B2 10/2005 Woodman
 D547,346 S 7/2007 Ollila
 7,273,321 B2 9/2007 Woodman
 D558,805 S 1/2008 Sadatsuki
 7,330,511 B2 2/2008 Maltagliati et al.
 7,353,086 B2 4/2008 Ennis
 D576,658 S 9/2008 Spegginorin
 D581,959 S 12/2008 Chan
 7,458,736 B2 12/2008 Woodman
 D591,325 S 4/2009 Dordick
 7,522,834 B2 4/2009 Heaven et al.
 D592,231 S 5/2009 Schnell
 D592,235 S 5/2009 Bryant et al.
 D596,658 S 7/2009 Dordick
 D598,482 S * 8/2009 Foddis D16/242
 D603,442 S 11/2009 Dordick
 7,658,556 B2 2/2010 Johnson
 7,661,891 B2 2/2010 Heibel
 7,753,599 B2 7/2010 Segawa et al.
 D625,750 S * 10/2010 Dittmer D16/235
 D629,440 S * 12/2010 Newman D16/242
 D630,238 S 1/2011 Fukuma et al.
 D640,304 S 6/2011 Green et al.
 D640,306 S * 6/2011 Hashiguchi D16/242
 D640,722 S 6/2011 Green et al.
 D643,057 S 8/2011 Mendoza et al.
 8,014,656 B2 9/2011 Woodman
 D646,315 S 10/2011 Orf
 8,079,501 B2 12/2011 Woodman
 D653,692 S 2/2012 Dordick
 8,120,651 B2 2/2012 Ennis

D663,350 S 7/2012 O'Donnell et al.
 D665,006 S 8/2012 Green et al.
 2002/0067920 A1 6/2002 Weng et al.
 2003/0063200 A1 4/2003 Isoyama
 2003/0128975 A1 7/2003 Shevick
 2004/0004825 A1 1/2004 Malard et al.
 2005/0200750 A1 9/2005 Ollila
 2005/0206736 A1 9/2005 Ng et al.
 2006/0055786 A1 3/2006 Ollila
 2006/0274171 A1 12/2006 Wang
 2007/0111754 A1 5/2007 Marshall et al.
 2009/0109292 A1 4/2009 Ennis
 2011/0280540 A1 11/2011 Woodman

FOREIGN PATENT DOCUMENTS

CN 1223768 7/1999
 DE 198 31 819 C1 7/1998
 DE 20 2004 001 608 U1 6/2004
 EP 0 917 359 A1 5/1999
 EP 0980181 2/2000
 EP 1 944 965 A1 7/2008
 JP 61-118076 6/1986
 JP 08-223524 8/1996
 WO WO 94/26061 11/1994
 WO WO 96/38004 11/1996
 WO WO 2007/077759 A1 7/2007

OTHER PUBLICATIONS

Nov. 2, 2009 world wide web ("http://www.helmkameras24.de/Oregon-Scientific-ATC-9000_c25...") 2-page printout concerning new item Oregon Scientific ATC 9000.
 Nov. 2, 2009 world wide web ("http://www.actioncameras.co.uk/X170") 4-page printout concerning X170 Action Camera and its mounts.
 Austrian Patent Office, Search and Opinion on Legal Validity, Aug. 3, 2010 (German language version and English translation).
 Photograph of a Midlandradio goggle mount for a camera. The photograph was taken at the CES Trade Show, Jan. 2010.
 Photograph of a Midlandradio goggle mount for a camera with a plug mount inserted into the goggle mount and with a camera showing in the foreground. The photograph was taken at the CES Trade Show, Jan. 2010.
 Internet website: https://www.midlandradio.com/Resource_/Product/1390/Detail/LargeImage/Goggle%20Mou... , Oct. 18, 2010.
 Supplemental Search Report from the European Patent Office concerning related European Patent Application No. 08782542.8.
 English language machine translation of JP 08-223524.
 May 13, 2011 Written Opinion concerning related Singapore Patent Application No. 20100010-4.
 Office action dated Nov. 24, 2011 issued by the Chinese Patent Office for corresponding Chinese Patent Application No. 200880109237.6.

* cited by examiner

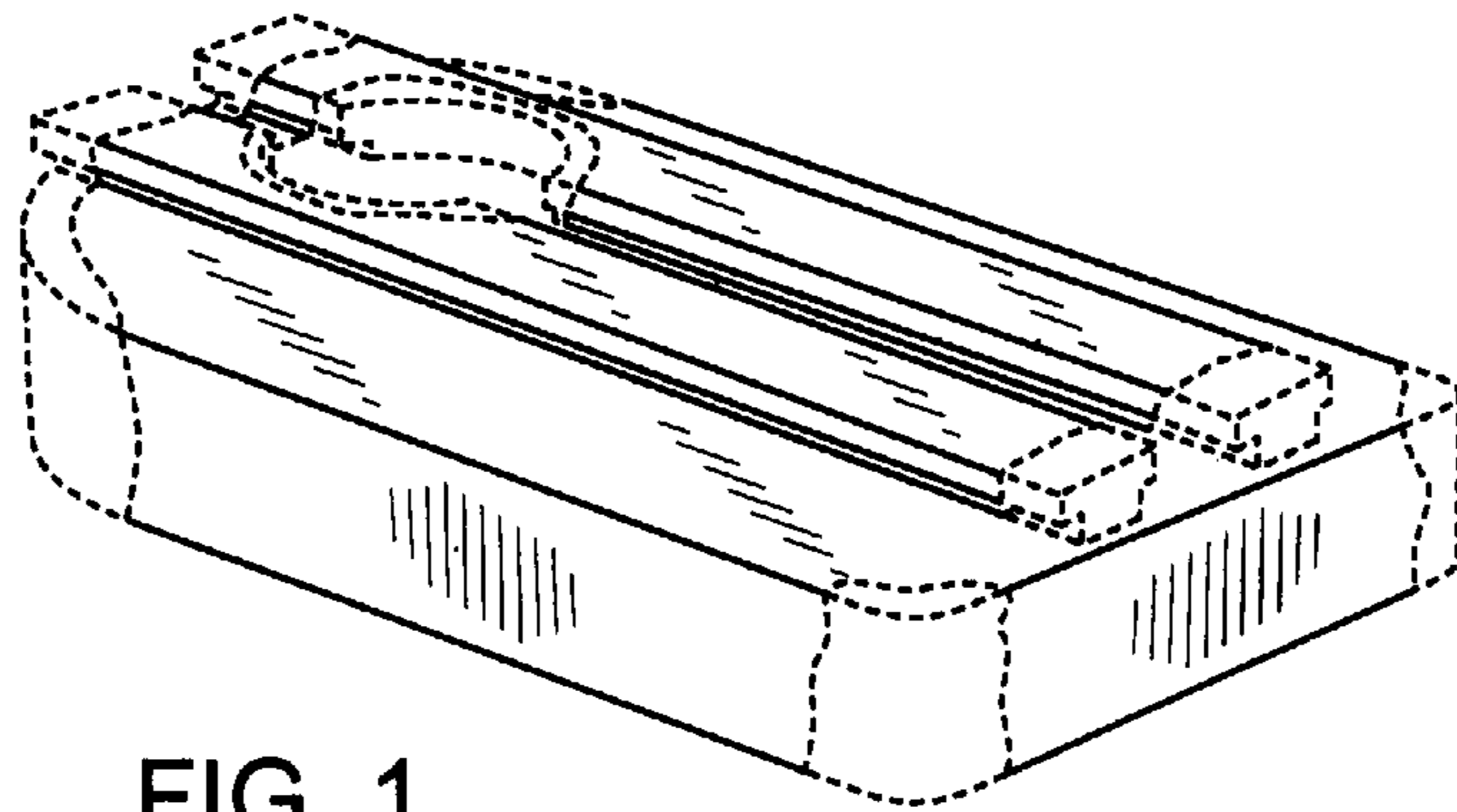


FIG. 1

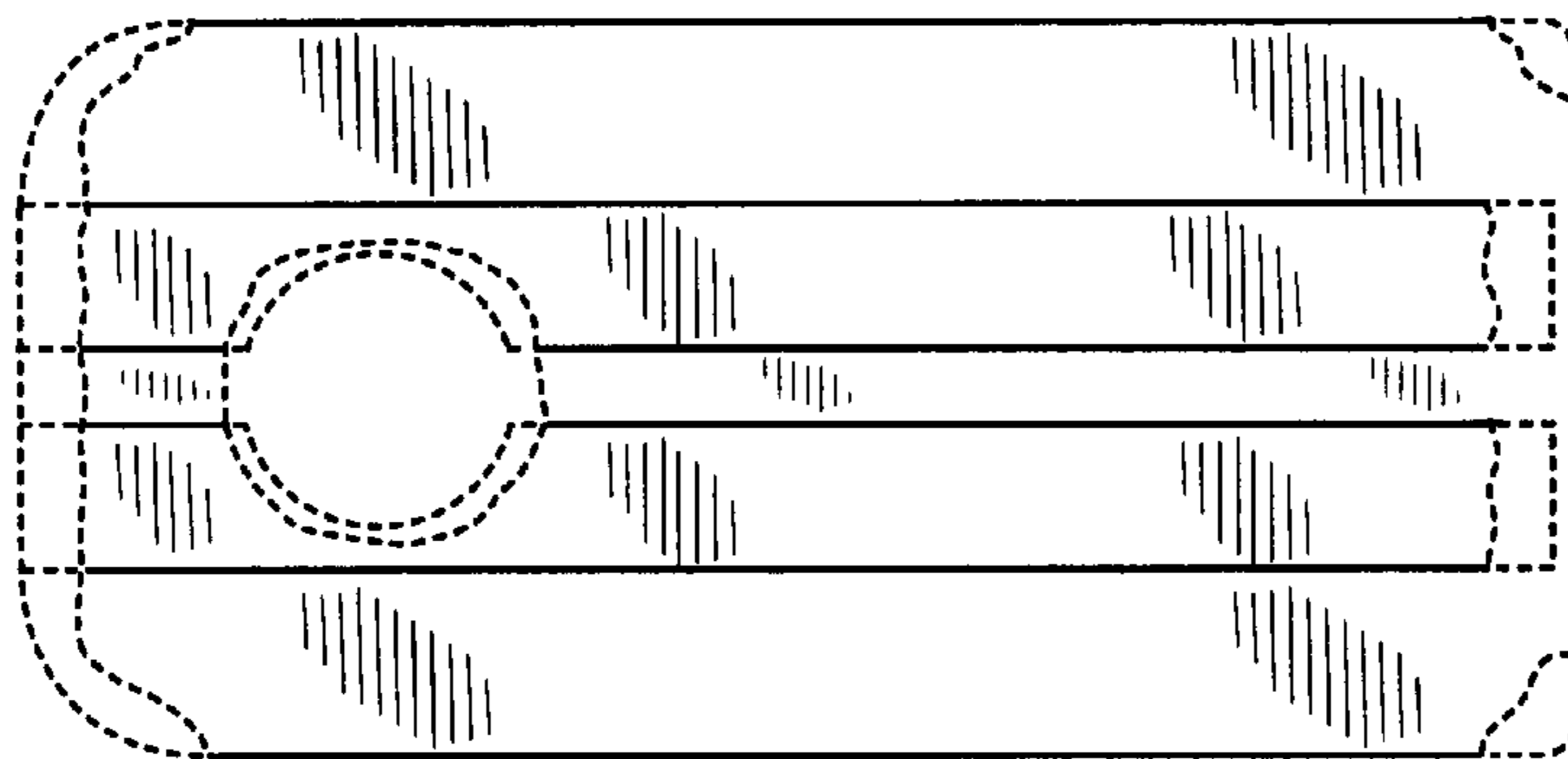


FIG. 4

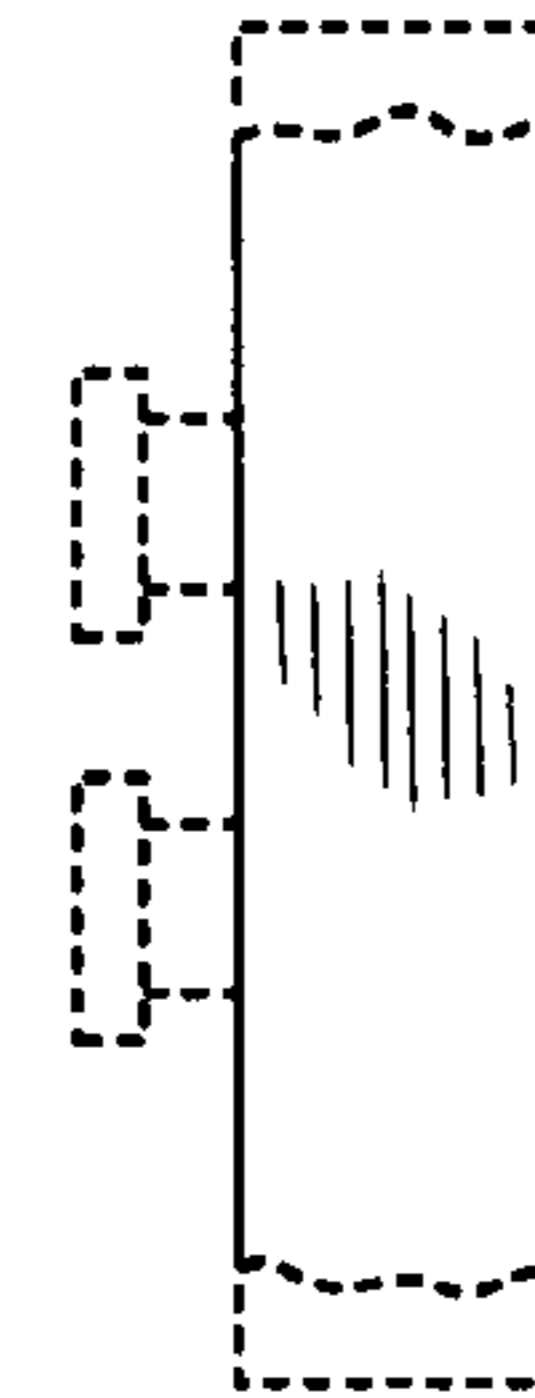


FIG. 5

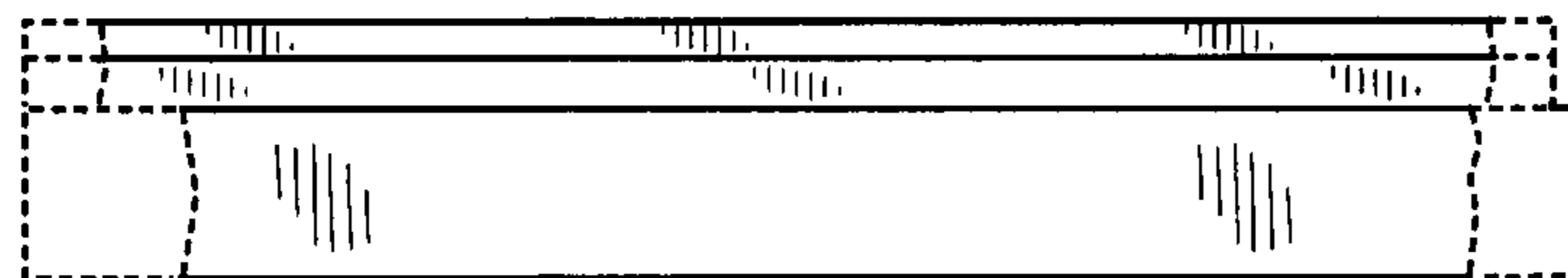


FIG. 6

FIG. 2

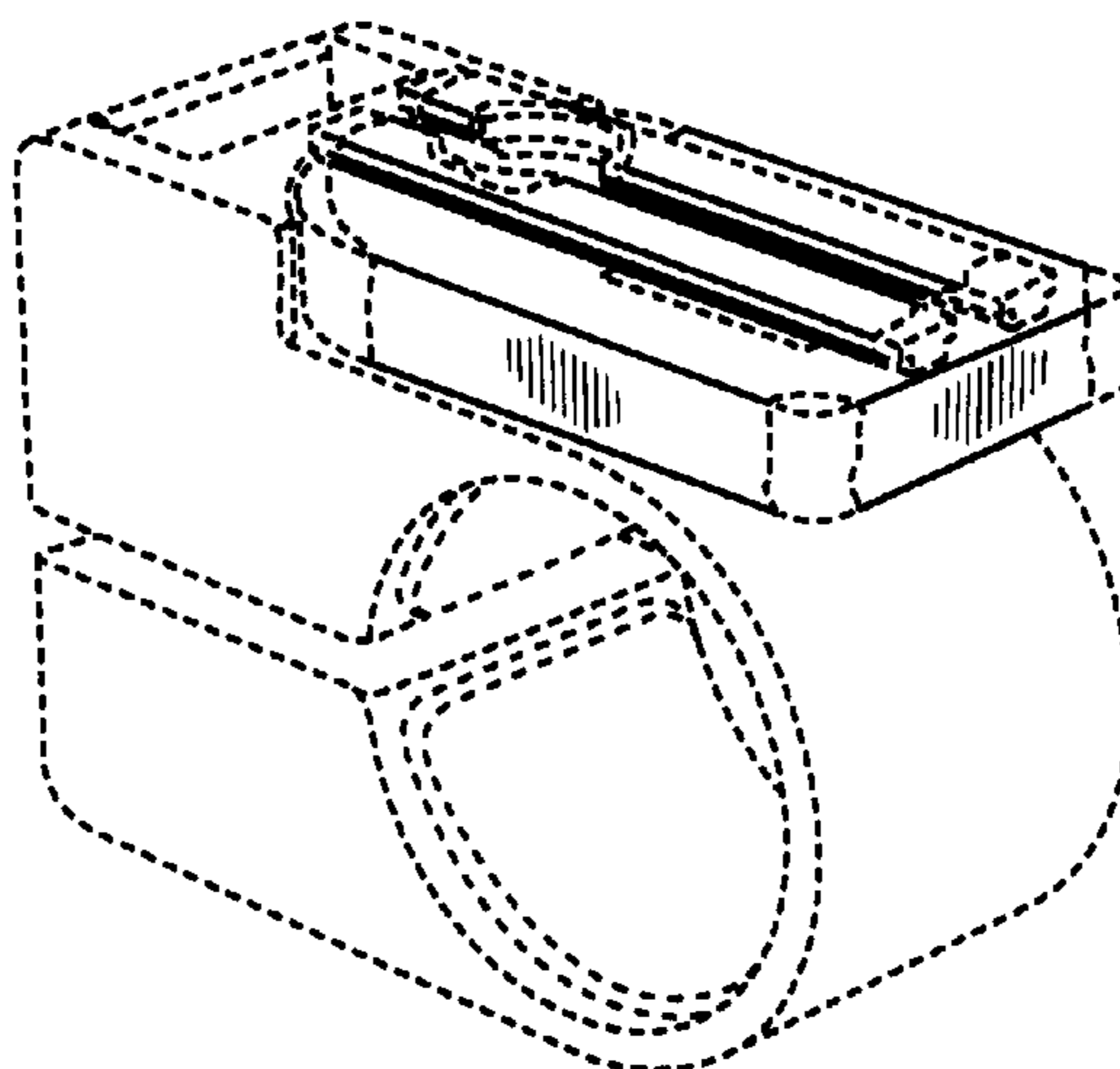


FIG. 3

